



US00D618483S

(12) **United States Design Patent**
Chung

(10) **Patent No.:** **US D618,483 S**

(45) **Date of Patent:** **** Jun. 29, 2010**

(54) **BARBECUE GRILL**

(76) Inventor: **Kiosky Chung**, No. 72, Chaoguei Rd.,
Situn District, Taichung City 407 (TW)

(**) Term: **14 Years**

(21) Appl. No.: **29/341,350**

(22) Filed: **Aug. 4, 2009**

(51) **LOC (9) Cl.** **15-05**

(52) **U.S. Cl.** **D7/334**

(58) **Field of Classification Search** **D7/332,**
D7/334-337, 402-405; 99/339, 449, 450,
99/482; 126/25 R, 9 R, 41 R, 50, 276, 304 A,
126/268

See application file for complete search history.

(56) **References Cited**

U.S. PATENT DOCUMENTS

D459,142 S *	6/2002	Wu	D7/334
D459,938 S *	7/2002	Pai	D7/334
D460,658 S *	7/2002	Wu	D7/334
D466,359 S *	12/2002	Bossler et al.	D7/334
D476,189 S *	6/2003	Bossler	D7/334
D478,464 S *	8/2003	Pai	D7/334
D480,595 S *	10/2003	Pai	D7/334
D485,116 S *	1/2004	Kwok	D7/334

6,684,877 B2 *	2/2004	Wu	126/41 R
D508,365 S *	8/2005	Nipke et al.	D7/334
D511,924 S *	11/2005	Chung	D7/334
D512,263 S *	12/2005	Chung	D7/334
D572,072 S *	7/2008	Chung	D7/334

* cited by examiner

Primary Examiner—Ruth McInroy

(74) *Attorney, Agent, or Firm*—Banger Shia

(57) **CLAIM**

I claim the ornamental design for a barbecue grill, as shown and described.

DESCRIPTION

FIG. 1 is a perspective view of a barbecue grill, showing my new design;

FIG. 2 is a front elevational view thereof;

FIG. 3 is a rear elevational view thereof;

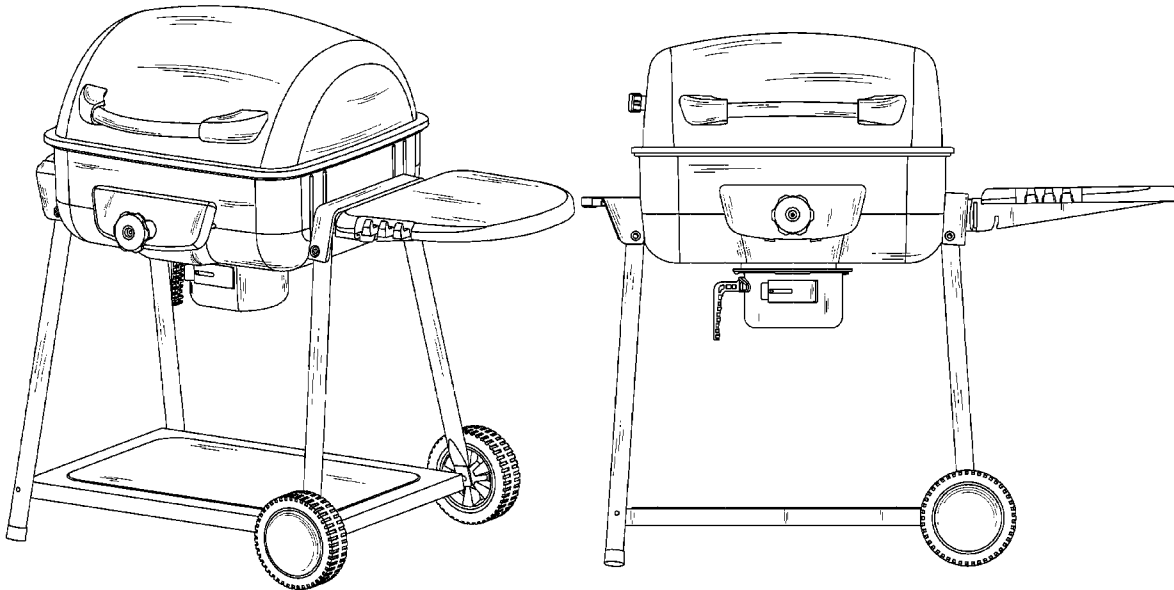
FIG. 4 is a left side elevational view thereof;

FIG. 5 is a right side elevational view thereof;

FIG. 6 is a top plan view thereof; and,

FIG. 7 is a bottom plan view thereof.

1 Claim, 7 Drawing Sheets



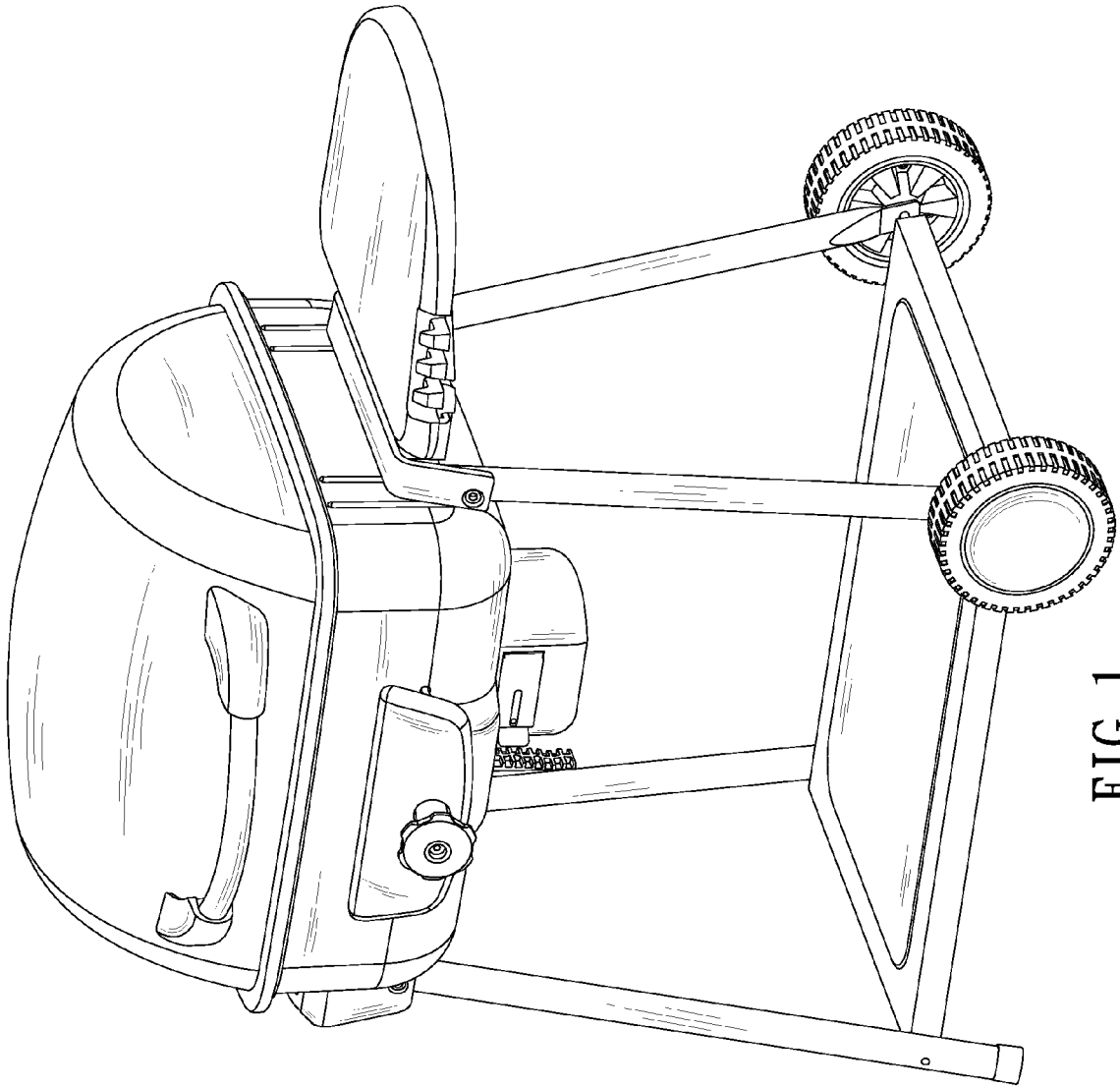


FIG. 1

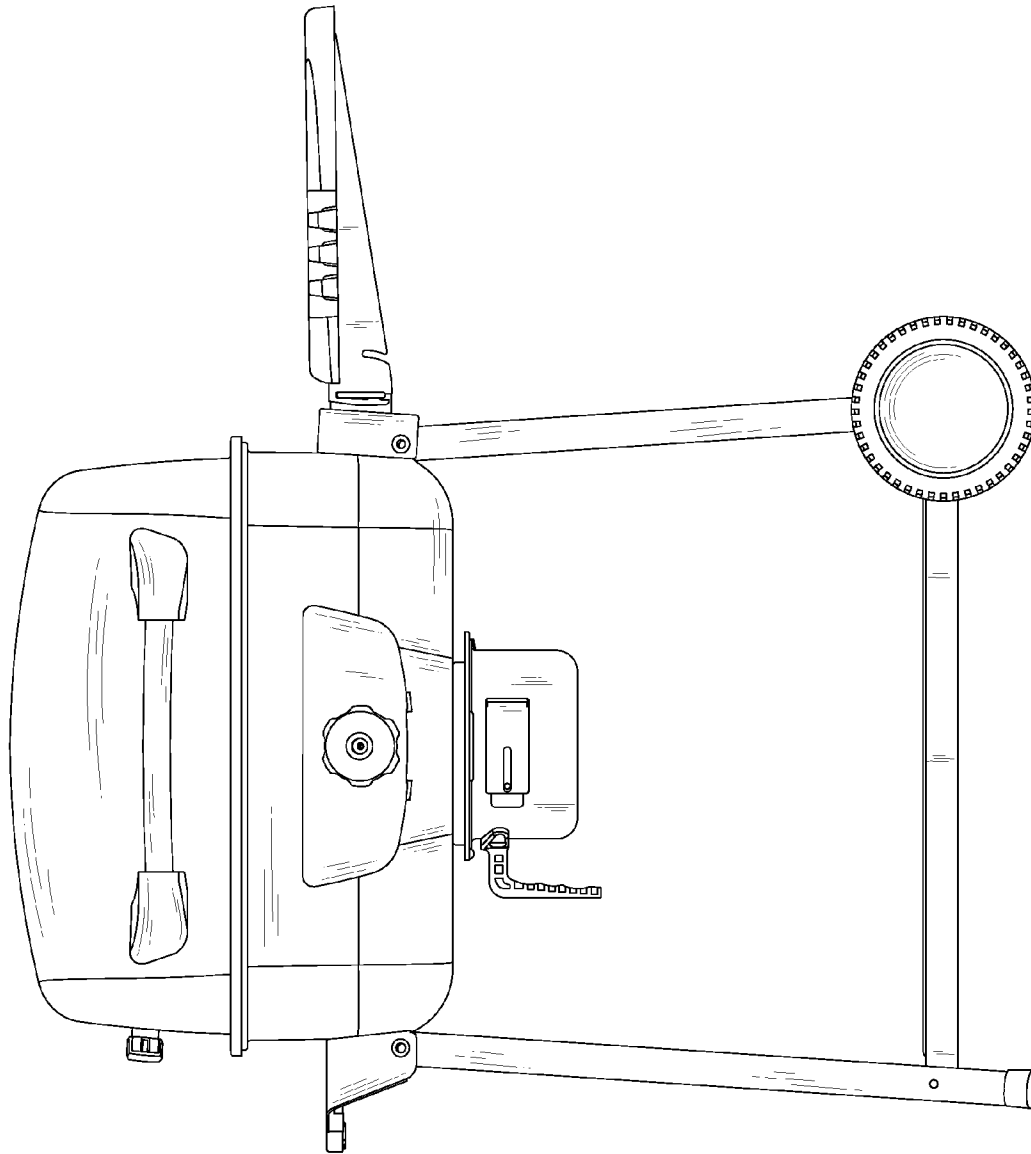


FIG. 2

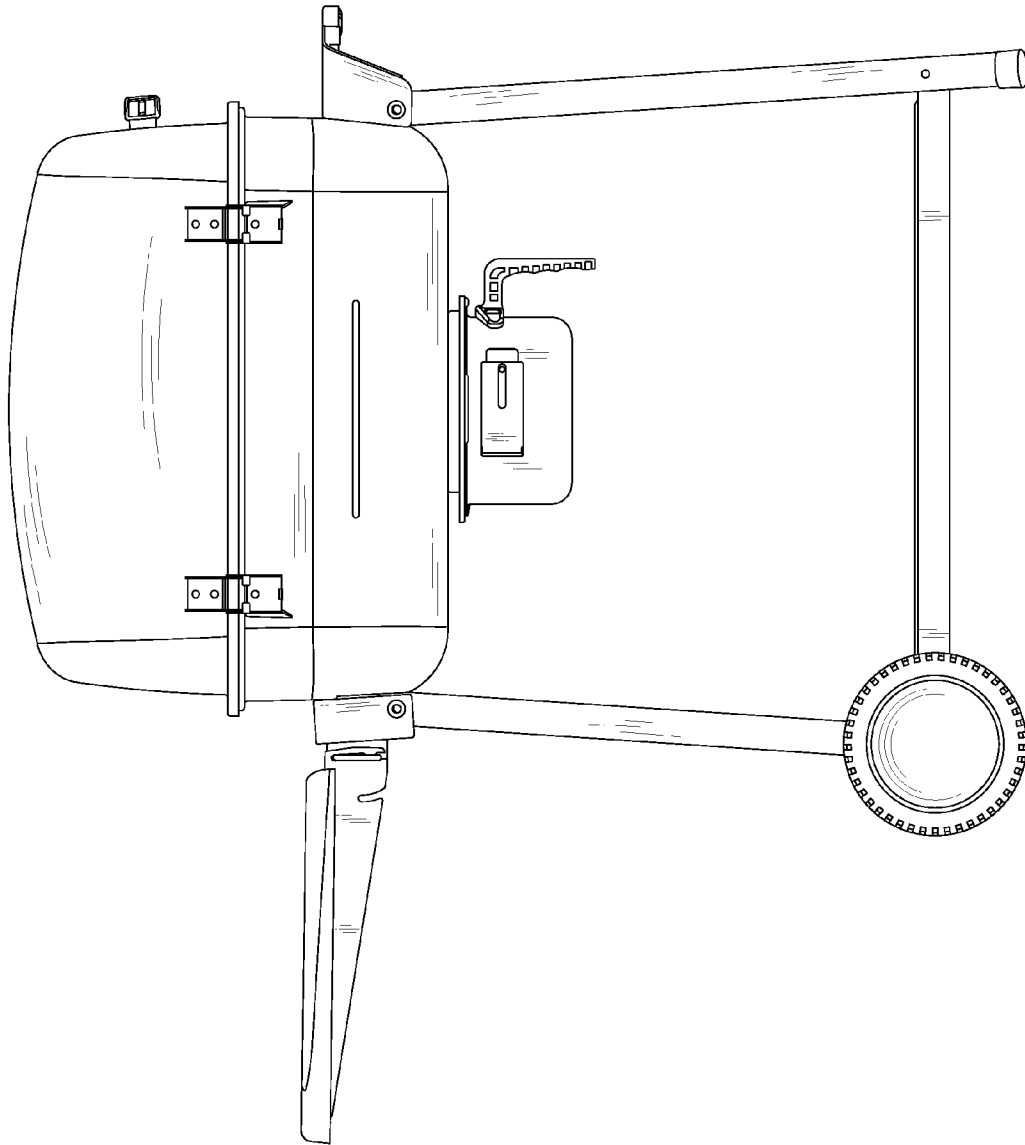


FIG. 3

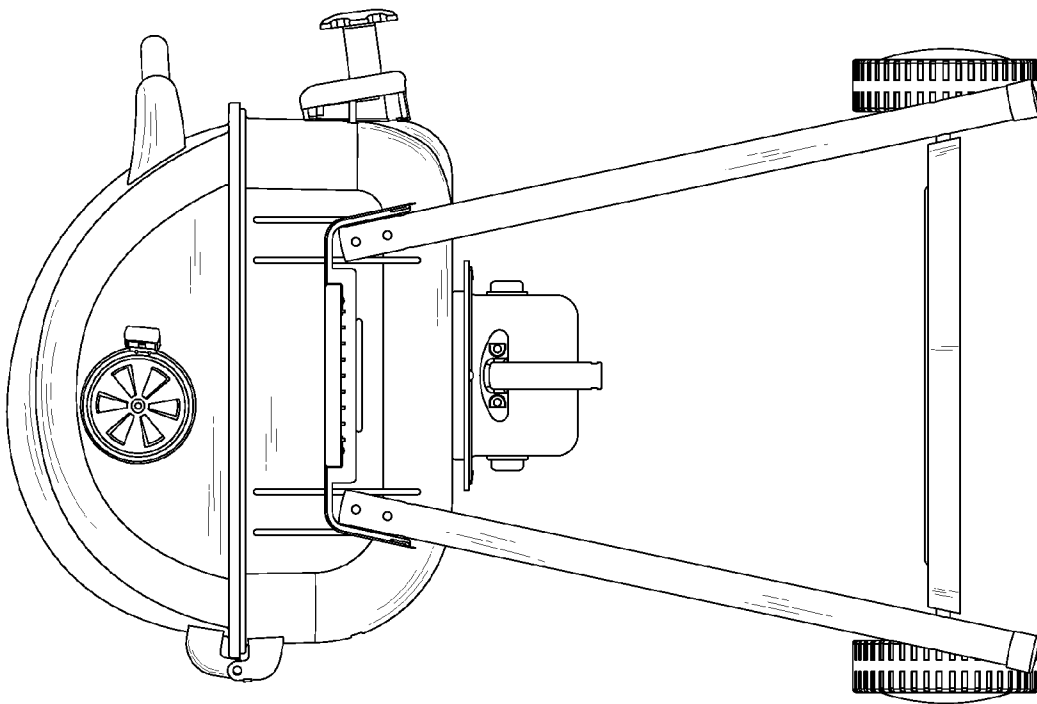


FIG. 4

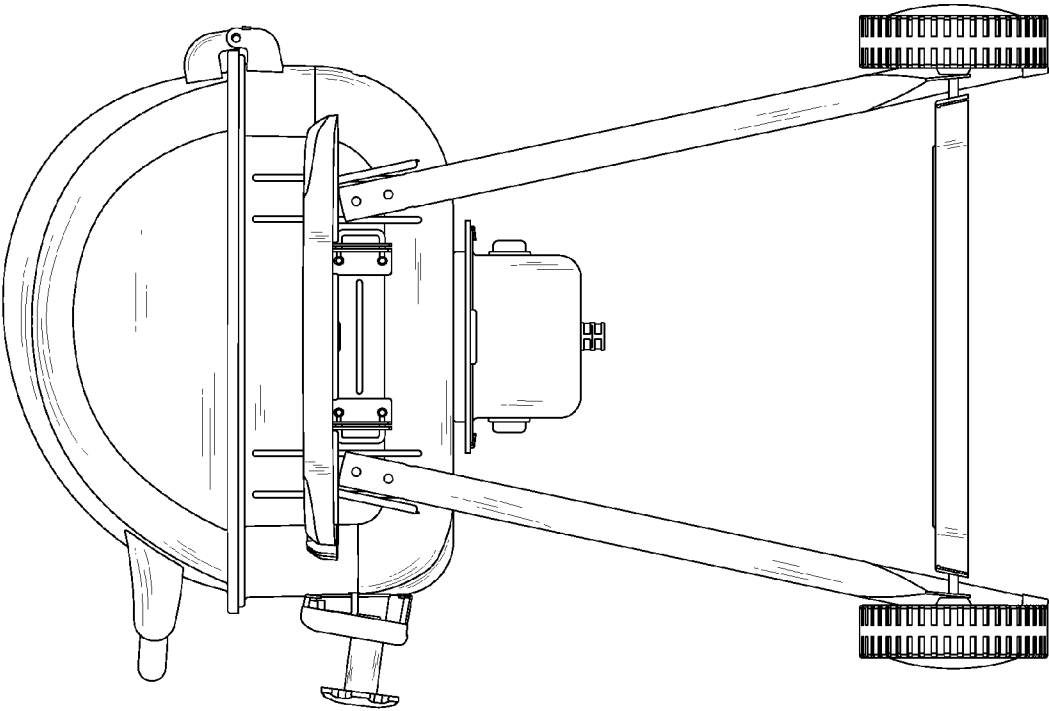


FIG. 5

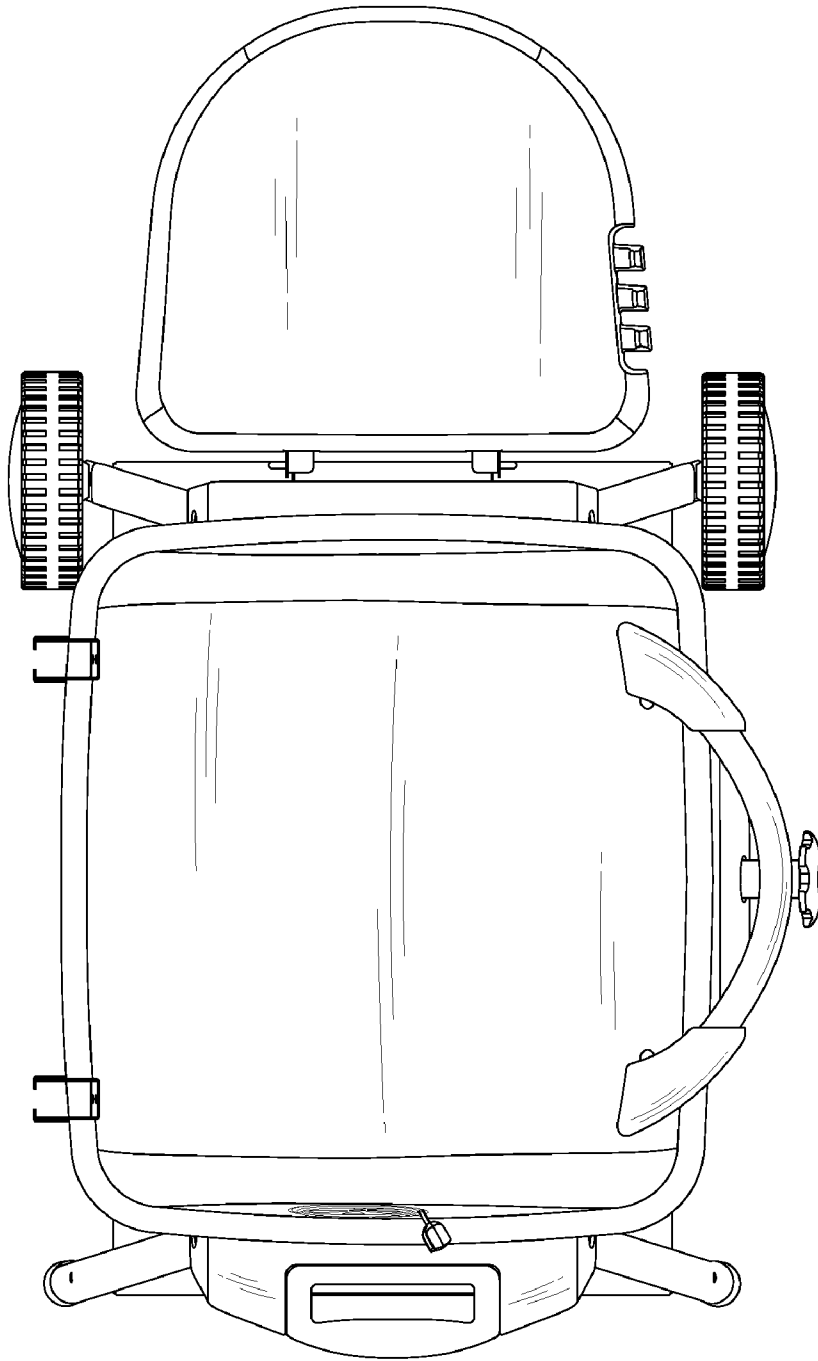


FIG. 6

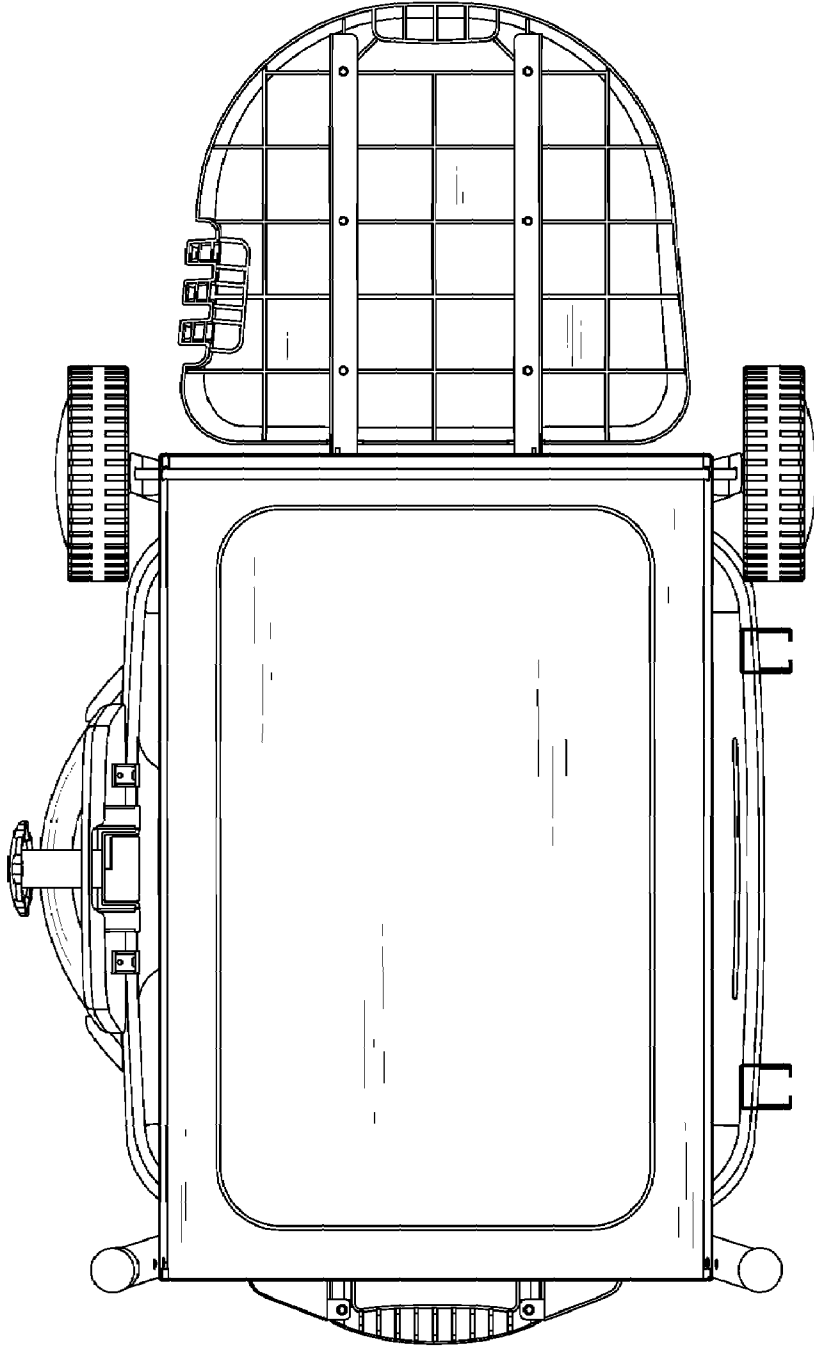


FIG. 7