



US00D810623S

(12) **United States Design Patent**
Adcock

(10) **Patent No.:** **US D810,623 S**

(45) **Date of Patent:** **** Feb. 20, 2018**

(54) **REVERSE TRIKE**

(71) Applicant: **Alton Glen Adcock**, Woodbridge, VA
(US)

(72) Inventor: **Alton Glen Adcock**, Woodbridge, VA
(US)

(**) Term: **15 Years**

(21) Appl. No.: **29/505,395**

(22) Filed: **Oct. 9, 2015**

(51) **LOC (11) Cl.** **12-08**

(52) **U.S. Cl.**
USPC **D12/85**

(58) **Field of Classification Search**
USPC D12/1, 82, 85, 86, 88, 110; D21/424,
D21/433, 434; 180/210, 218; 296/181.1,
296/181.5
CPC ... B62K 5/05; B62K 5/06; B62K 5/08; B62K
7/00; B62K 13/00; B62K 13/04
See application file for complete search history.

(56) **References Cited**

U.S. PATENT DOCUMENTS

4,453,763	A *	6/1984	Richards	B62D 29/001	180/215
D274,995	S *	8/1984	Richards	D12/85	
D449,018	S *	10/2001	Musser	D12/85	
D469,037	S *	1/2003	Hanagan	D12/85	
D589,844	S *	4/2009	Aube	D12/85	

D592,548	S *	5/2009	Aube	D12/85	
D593,908	S *	6/2009	Longpre	D12/107	
D633,821	S *	3/2011	Hill	D12/85	
D666,127	S *	8/2012	Nam	D12/85	
D682,158	S *	5/2013	Canni	D12/85	
D723,978	S *	3/2015	Tada	D12/85	
9,004,214	B2 *	4/2015	Holroyd	B62K 5/05	180/210
2012/0241239	A1 *	9/2012	Holroyd	B62K 5/05	180/210

* cited by examiner

Primary Examiner — Darlington Ly

(57) **CLAIM**

The ornamental design for a reverse trike, as shown and described.

DESCRIPTION

FIG. 1 is a front elevational view of a reverse trike showing my new design;
FIG. 2 is a left side elevation view thereof;
FIG. 3 is a rear elevation view thereof;
FIG. 4 is a right side elevation view thereof;
FIG. 5 is a top plan view thereof;
FIG. 6 is a top, front, and right side perspective view thereof;
FIG. 7 is a top, rear, and left side perspective view thereof;
FIG. 8 is a top, front, and left side perspective view thereof;
and,
FIG. 9 is a top, rear, and right side perspective view thereof.
The broken lines in the drawings illustrate portions of the reverse trike that form no part of the claimed design.

1 Claim, 9 Drawing Sheets

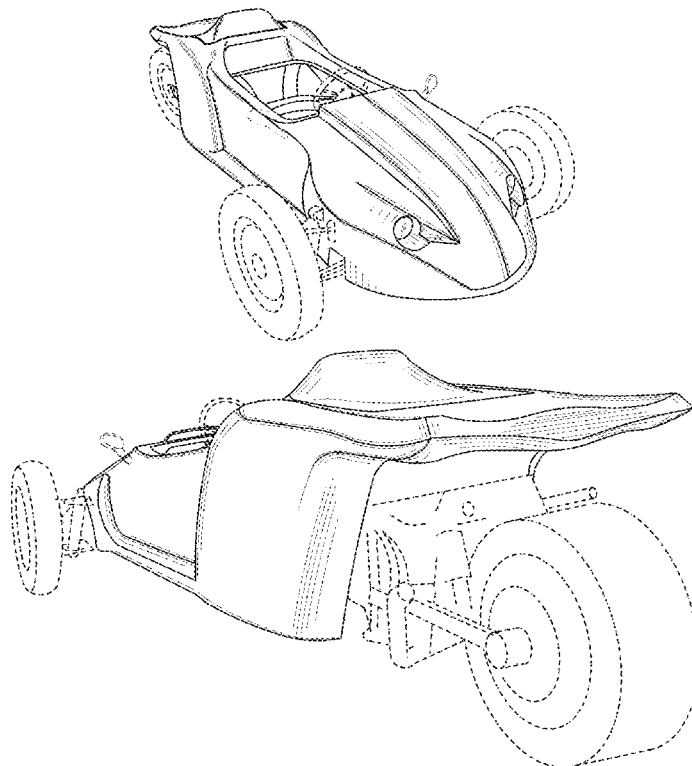


FIG. 1

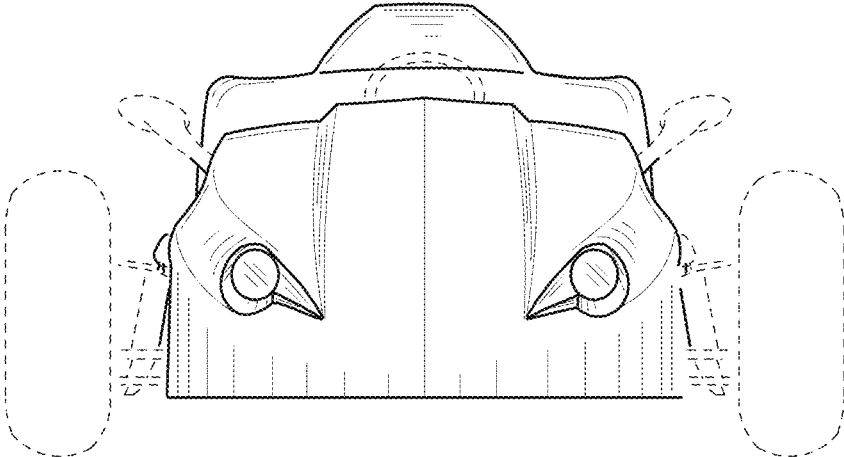


FIG. 2

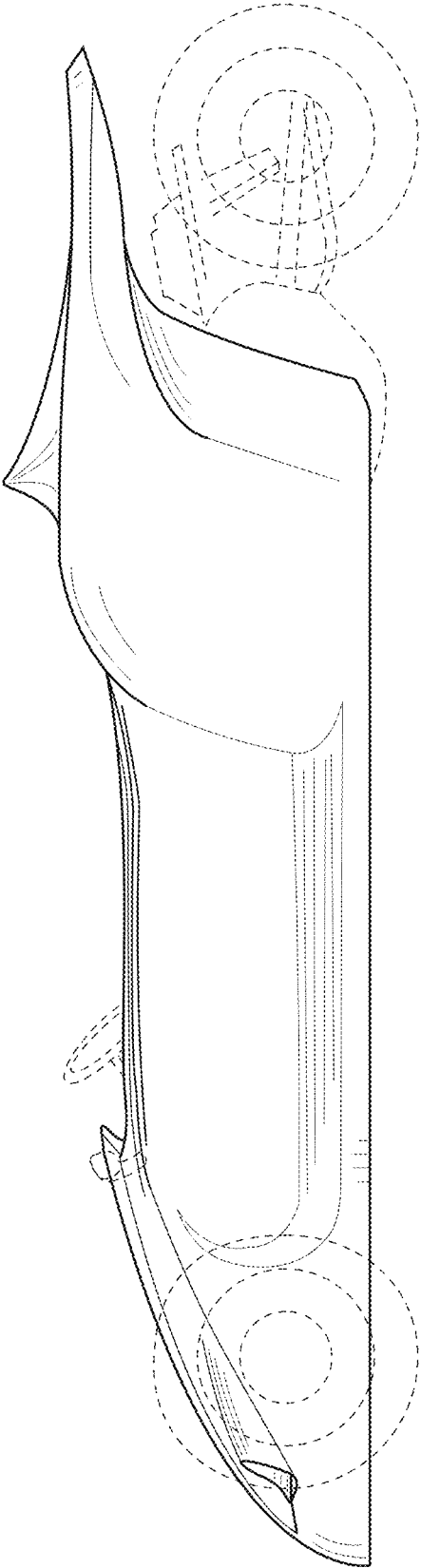


FIG. 3

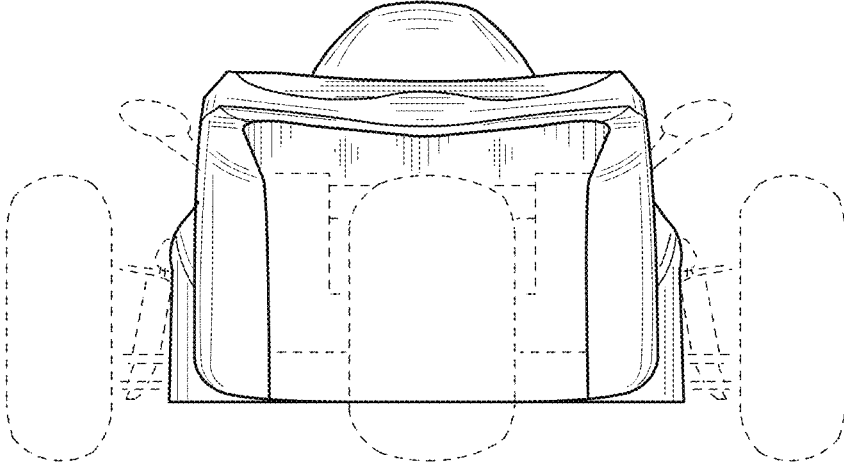


FIG. 4

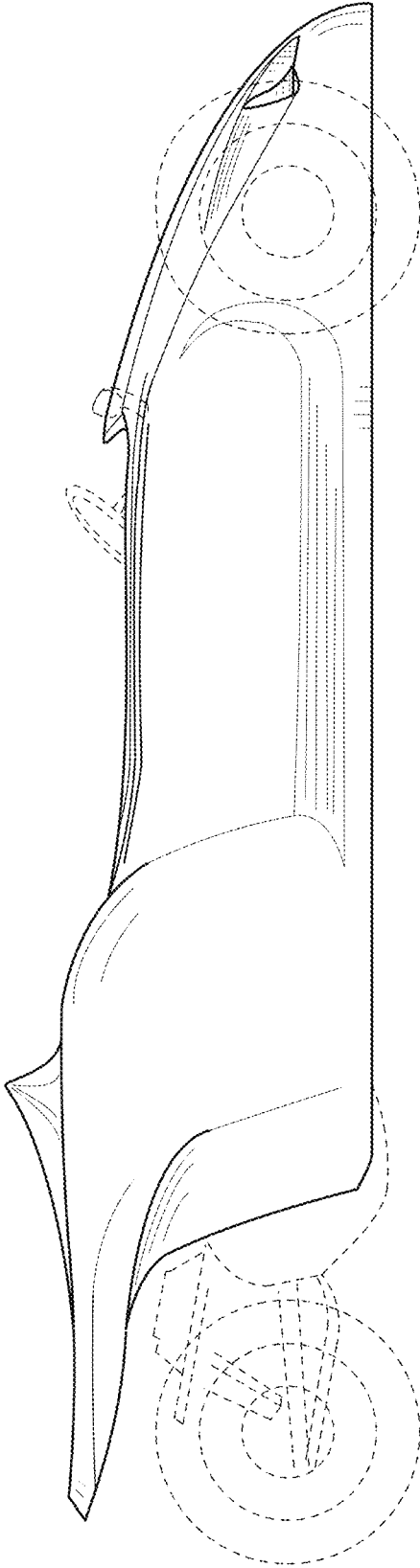
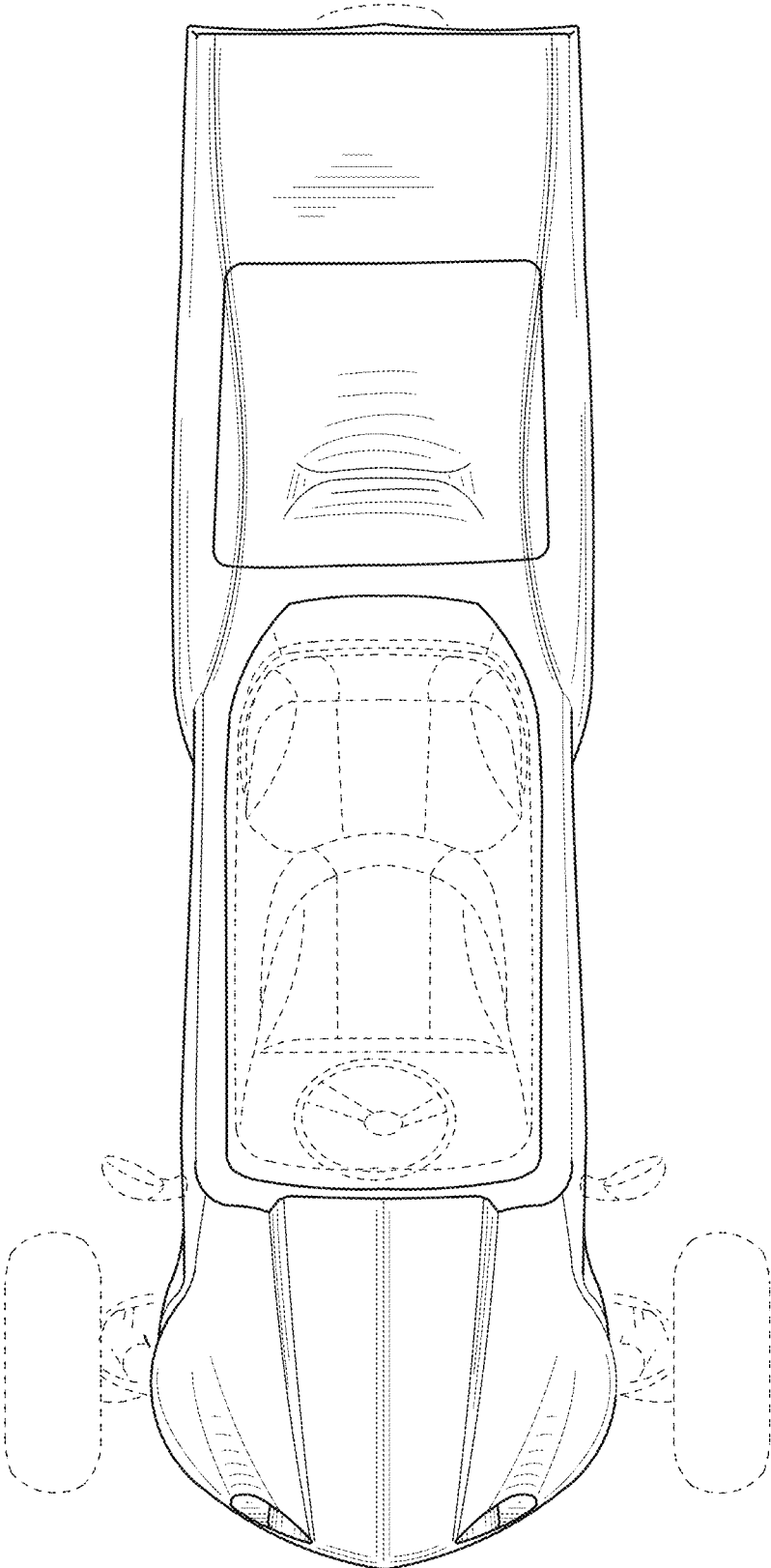


FIG. 5



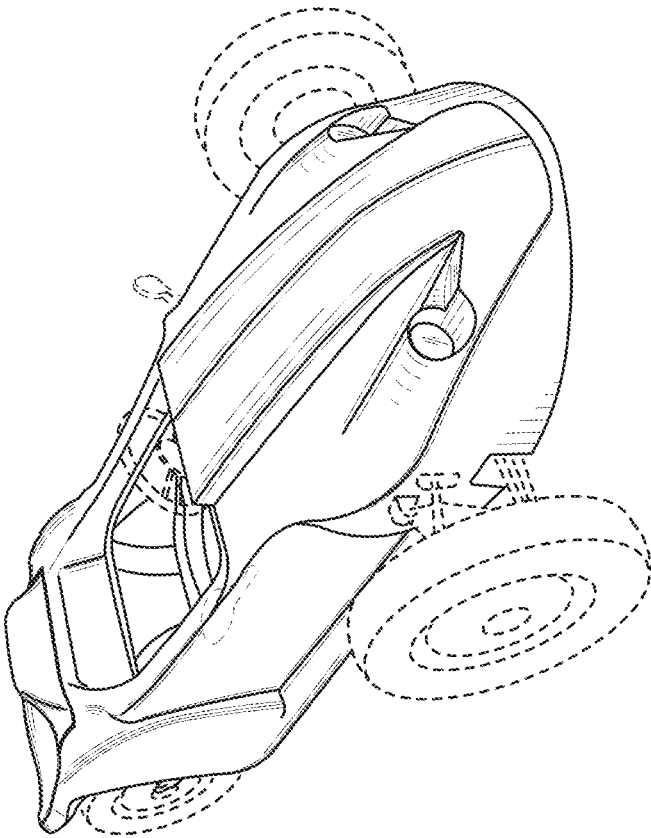
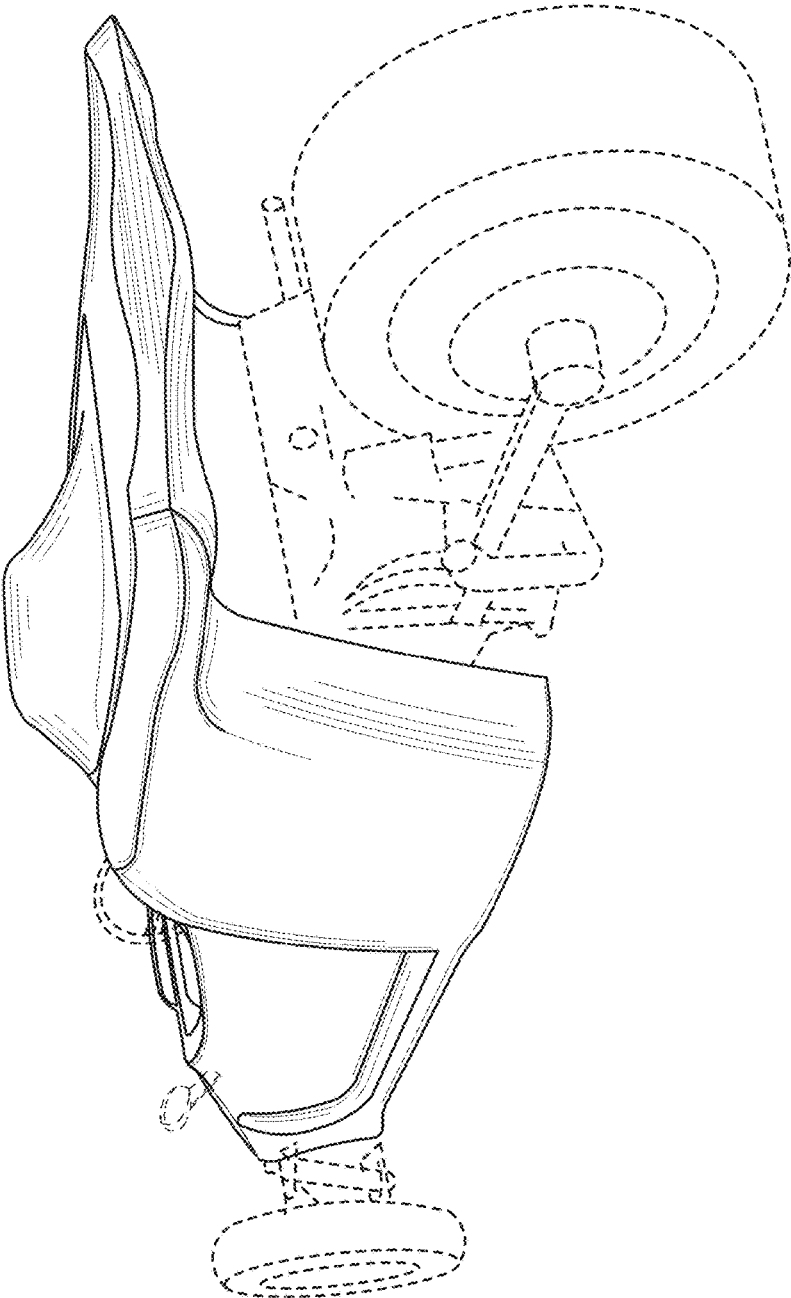


FIG. 6

FIG. 7



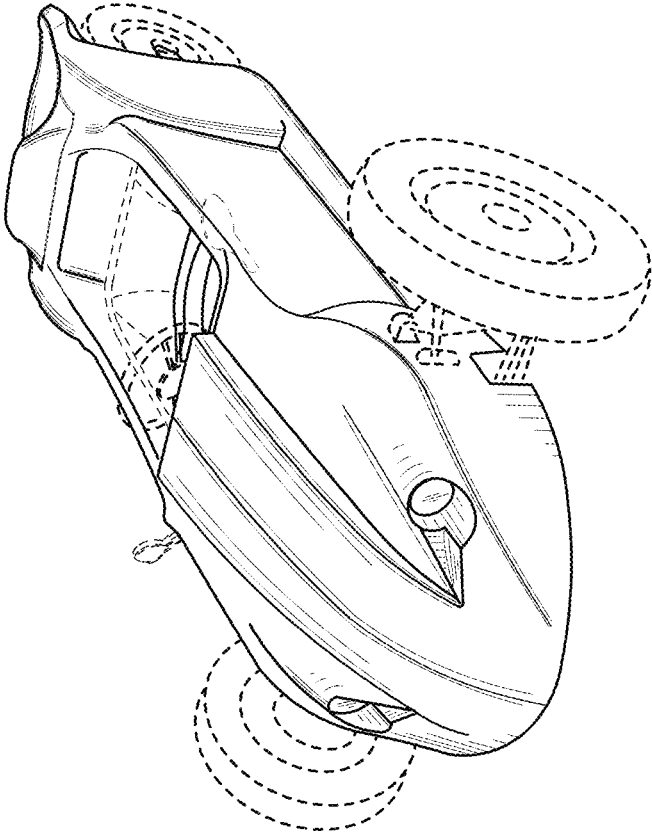


FIG. 8

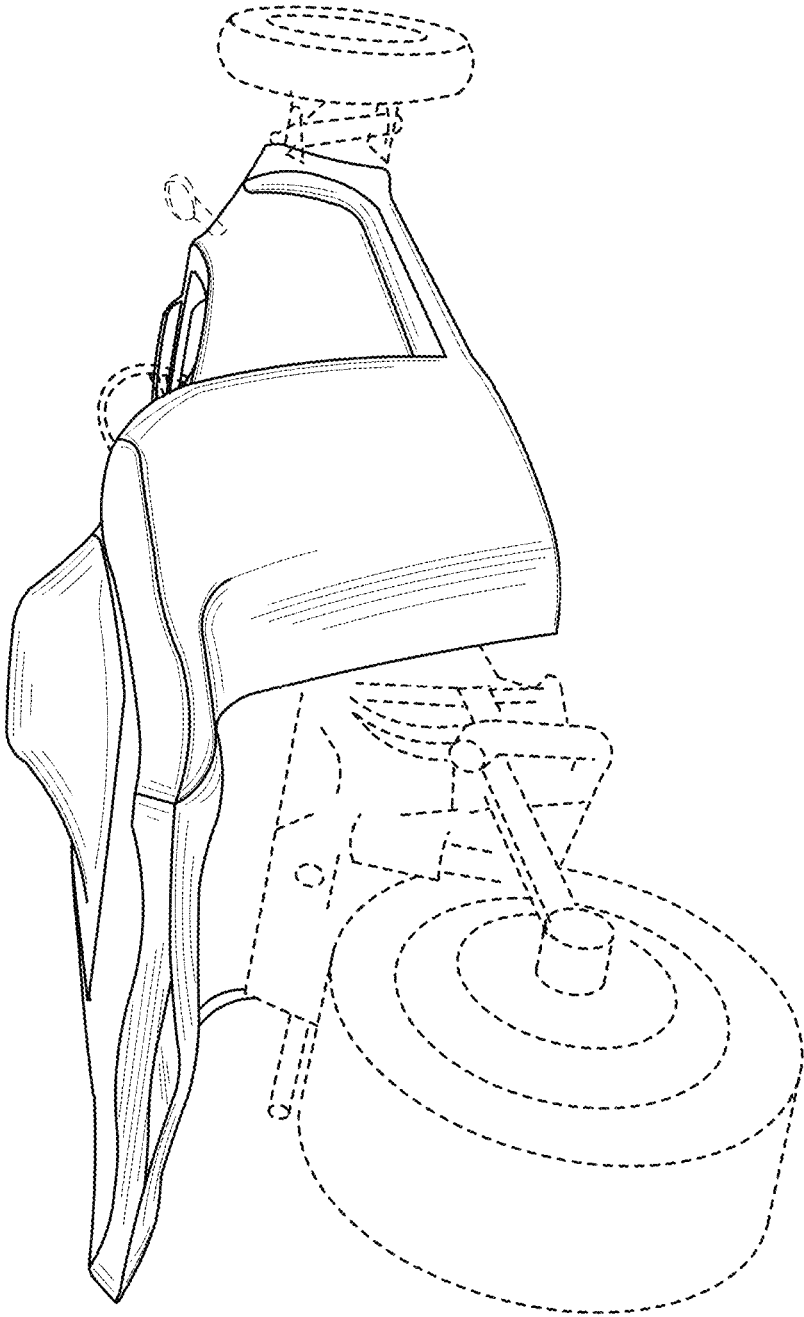


FIG. 9