

[54] AIR FRESHENER DISPENSER

[75] Inventor: William J. O'Neil, Jr., Cincinnati, Ohio

[73] Assignee: The Drackett Company, Cincinnati, Ohio

[**] Term: 14 Years

[21] Appl. No.: 728,725

[22] Filed: Apr. 30, 1985

[52] U.S. Cl. D23/150

[58] Field of Search D23/146-150; 239/34, 43, 47, 49, 50, 54-55, 58-60; 261/DIG. 17, DIG. 42; 428/905; 48/195; 222/3, 23; D9/410

[56] References Cited

U.S. PATENT DOCUMENTS

D. 246,316	11/1977	Hadtke	D23/150
D. 254,930	5/1980	Mandon et al.	D23/150
D. 255,263	6/1980	Mandon et al.	D23/150
D. 268,520	4/1983	LeCaire, Jr.	D23/150
D. 268,614	4/1983	von Philipp et al.	D23/150
D. 269,699	7/1983	May et al.	D23/150
D. 275,222	8/1984	Hoyt	D23/150

2,642,310	6/1953	Meek et al.	239/35
4,014,501	3/1977	Buckenmayer	239/58
4,197,271	4/1980	Fenstermaker et al.	239/56 X

FOREIGN PATENT DOCUMENTS

1514712 6/1978 United Kingdom .

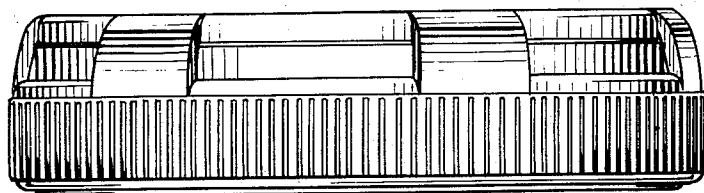
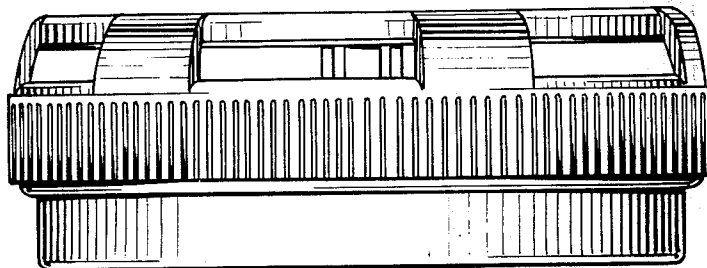
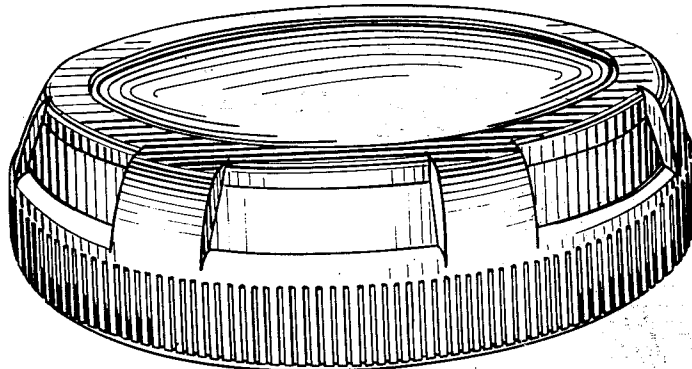
Primary Examiner—Wallace R. Burke
Assistant Examiner—Brian N. Vinson
Attorney, Agent, or Firm—Charles J. Zeller

[57] CLAIM

The ornamental design for an air freshener dispenser, as shown and described.

DESCRIPTION

FIG. 1 is a top perspective view of an air freshener dispenser showing my new design;
FIG. 2 is a top plan view thereof;
FIG. 3 is a front elevational view thereof, the adjacent sides and rear being identical in appearance;
FIG. 4 is a bottom plan view thereof;
FIG. 5 is a front elevational view thereof, showing the dispenser in the open position;
FIG. 6 is a vertical transverse sectional view thereof; and
FIG. 7 is a vertical transverse sectional view of FIG. 5.



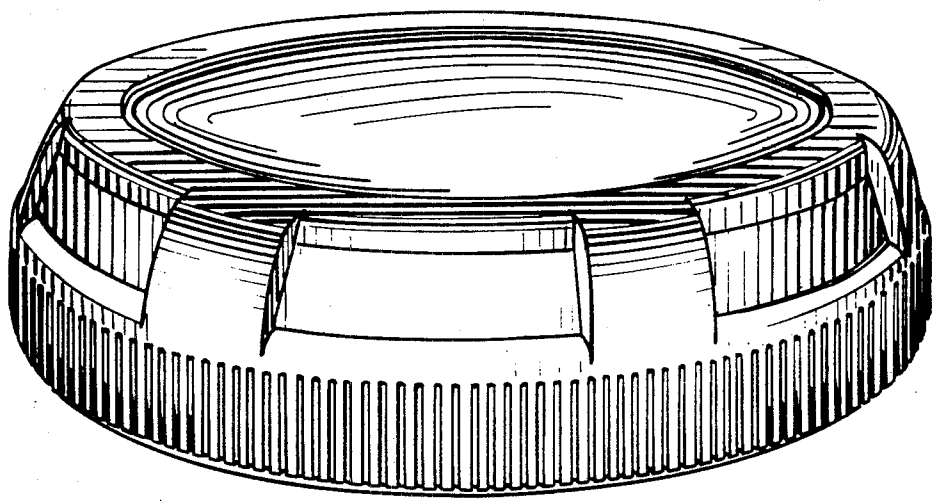


Fig. 1.

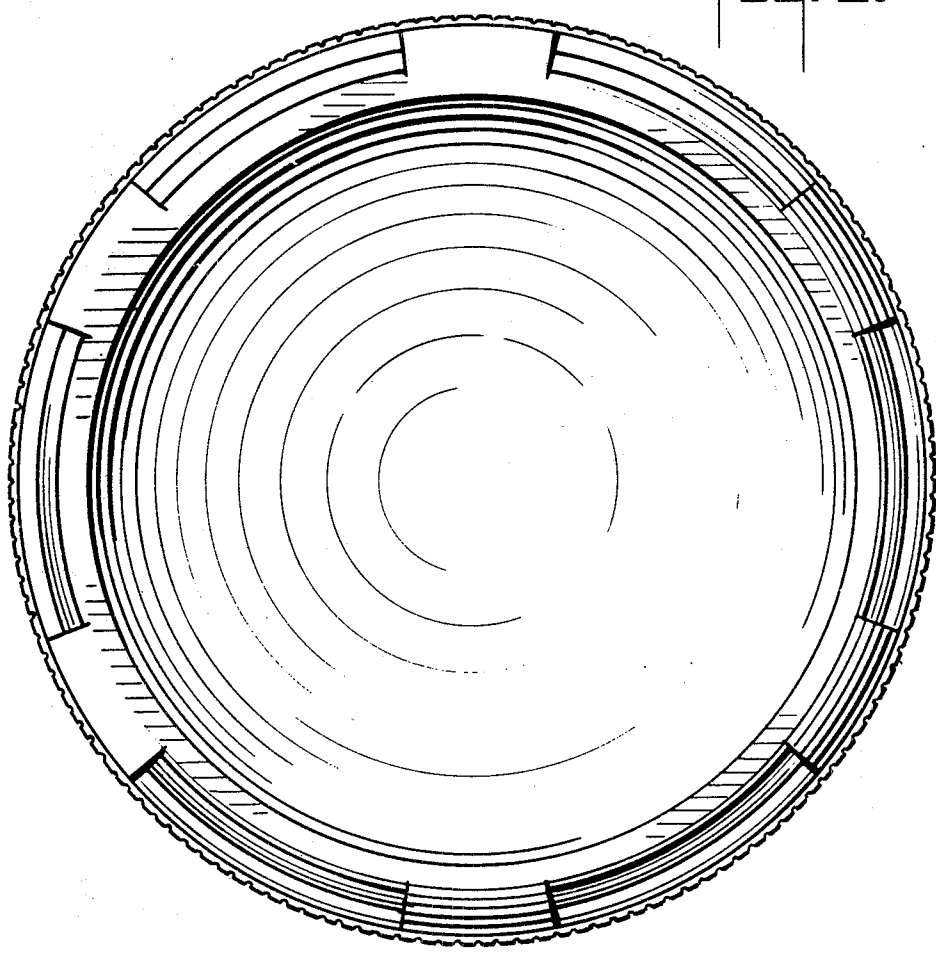


Fig. 2.

Fig. 3.

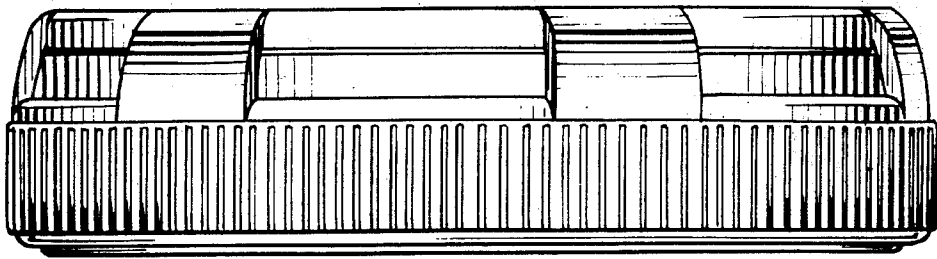
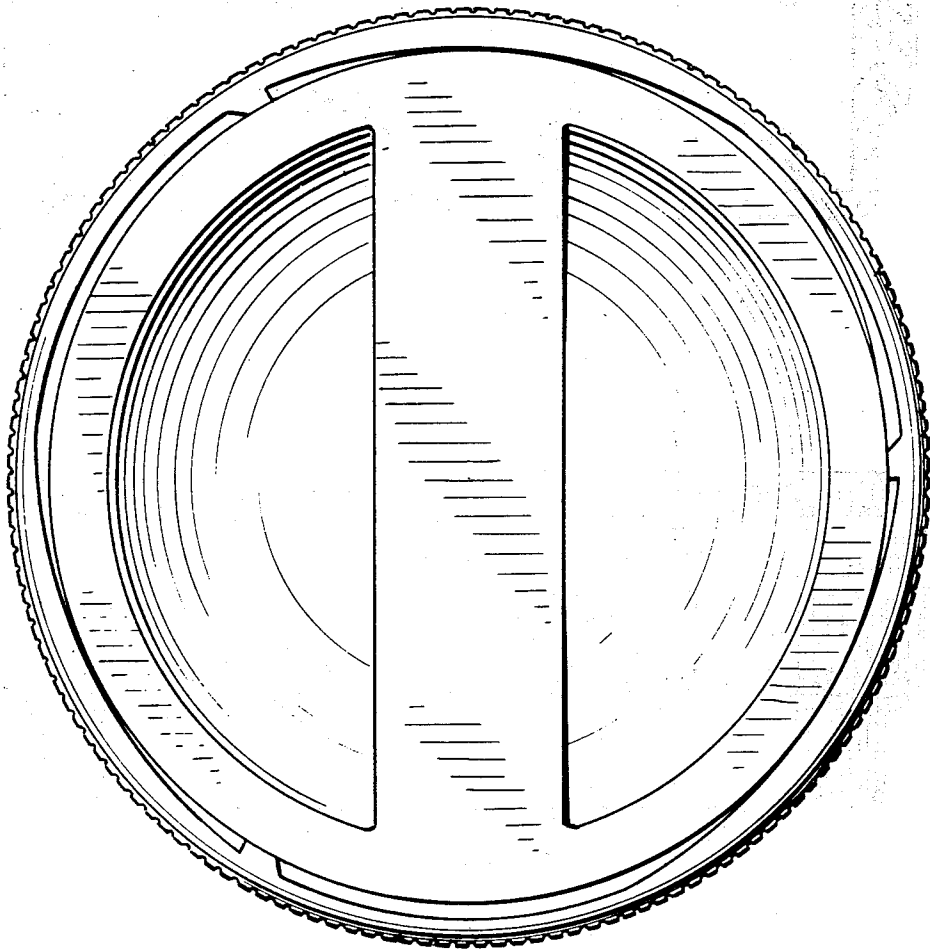


Fig. 4.



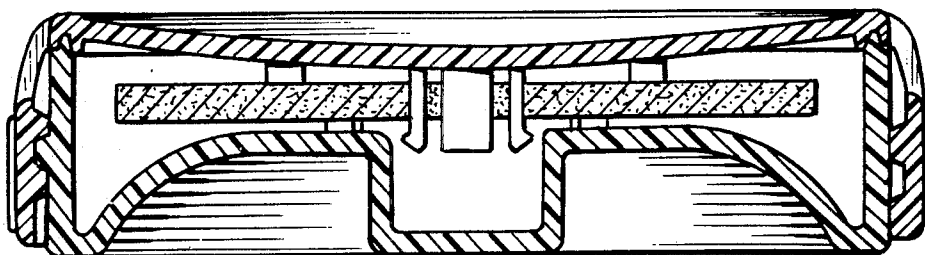


Fig. 6.

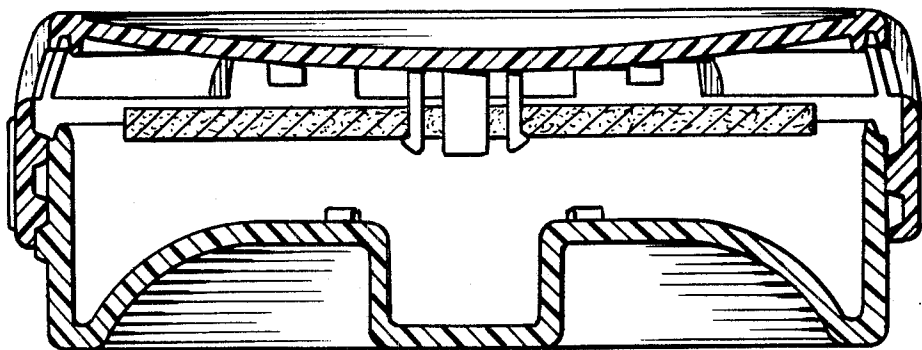


Fig. 7.

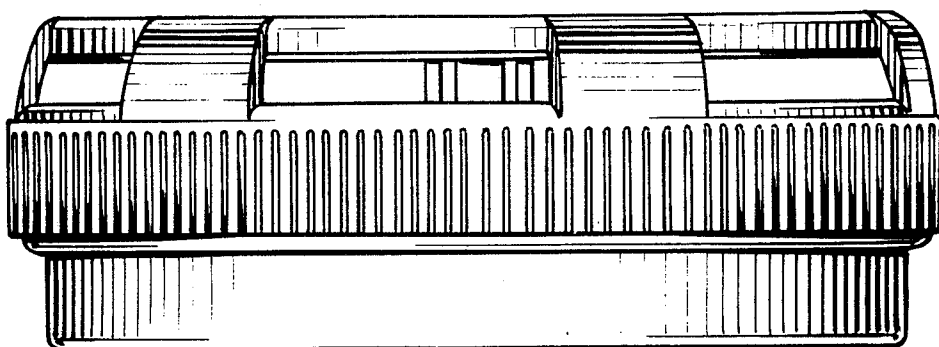


Fig. 8.