



US00D824150S

(12) **United States Design Patent** (10) **Patent No.:** **US D824,150 S**
Gavrieli et al. (45) **Date of Patent:** **** Jul. 31, 2018**

(54) **DUAL-SOLE SHOE WITH COLOR STRIPE AND OUTPATCH SOLE**

FOREIGN PATENT DOCUMENTS

(71) Applicant: **Gavrieli Brands LLC**, Beverly Hills, CA (US)

CN 2190425 Y 3/1995
CN 2817518 Y 9/2006
(Continued)

(72) Inventors: **Kfir Gavrieli**, Beverly Hills, CA (US);
Dikla Gavrieli, Beverly Hills, CA (US)

OTHER PUBLICATIONS

(73) Assignee: **Gavrieli Brands LLC**, Beverly Hills, CA (US)

Examination Report for AU 341324, 3 pgs., dated Oct. 24, 2012.
(Continued)

(**) Term: **15 Years**

Primary Examiner — Dominic V Simone
(74) *Attorney, Agent, or Firm* — Morgan, Lewis & Bockius LLP

(21) Appl. No.: **29/582,290**

(22) Filed: **Oct. 26, 2016**

Related U.S. Application Data

(63) Continuation of application No. 29/509,271, filed on Nov. 14, 2014, now abandoned, and a continuation of application No. 15/204,763, filed on Jul. 7, 2016, now Pat. No. 9,930,925, which is a continuation of application No. 14/266,599, filed on Apr. 30, 2014, now Pat. No. 9,398,786, which is a continuation of
(Continued)

(57) **CLAIM**

The ornamental design for a dual-sole shoe with color stripe and outpatch sole, as shown and described.

(51) **LOC (11) Cl.** **02-04**

(52) **U.S. Cl.**
USPC **D2/939**

(58) **Field of Classification Search**
USPC D2/896, 900, 919-921, 925, 939, 947, D2/950, 969, 971; 36/1, 83, 8.1-8.3, 9 R, 36/45-58, 107, 108, 76 R
CPC A43B 21/10; A43B 21/06; A43B 9/14; A43B 1/0045; A43B 13/12; A43B 23/06; A43B 23/07; A43B 1/0036; A43B 7/32
See application file for complete search history.

DESCRIPTION

The file of this patent contains at least one drawing executed in color. Copies of this patent with color drawing(s) will be provided by the Office upon request and payment of the necessary fee.

FIG. 1 is a perspective view of our new design of a dual-sole shoe with color stripe and outpatch sole; FIG. 2 is a first side view of the design of FIG. 1; FIG. 3 is a second side view of the design of FIG. 1; FIG. 4 is a top view of the design of FIG. 1; FIG. 5 is a bottom view of the design of FIG. 1; FIG. 6 is a front view of the design of FIG. 1; and, FIG. 7 is a back view of the design of FIG. 1.

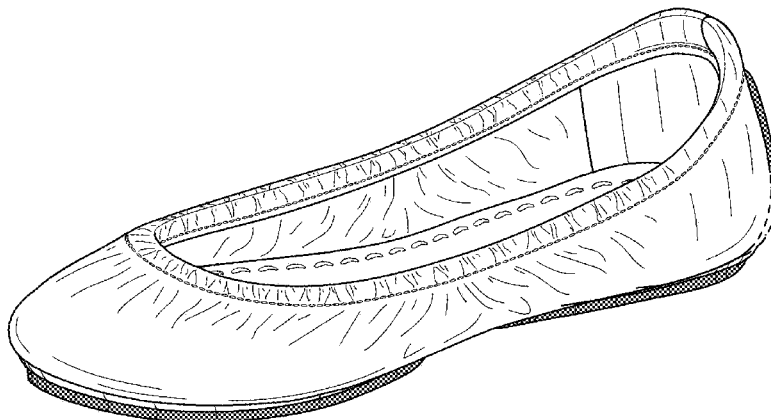
The broken lines illustrating the half moon patch in the above described Figures are for illustrative purposes only and form no part of the claimed design.

(56) **References Cited**

U.S. PATENT DOCUMENTS

249,086 A 11/1881 Pienovi
773,850 A 11/1904 Cooper et al.
830,941 A 9/1906 Walden
(Continued)

1 Claim, 6 Drawing Sheets
(6 of 6 Drawing Sheet(s) Filed in Color)



Related U.S. Application Data

application No. 13/207,397, filed on Aug. 10, 2011,
now Pat. No. 8,745,893.

(56)

References Cited

U.S. PATENT DOCUMENTS

1,208,209 A 12/1916 Prince
1,214,666 A 2/1917 Ford
1,519,009 A 12/1924 Reina
1,525,848 A * 2/1925 Bonaventure A43B 5/12
36/113
1,587,377 A 6/1926 Grosjean
1,650,466 A 11/1927 Righter
2,224,590 A 12/1940 Boivin
2,268,777 A 1/1942 Scholl
D133,819 S * 9/1942 Harris D2/939
D135,791 S 6/1943 Beebe
2,323,563 A 7/1943 Nugent
2,342,882 A 2/1944 Meltzer
D141,871 S 7/1945 Braun
2,383,585 A 8/1945 Bindner
D149,685 S * 5/1948 Sandler D2/935
D150,729 S * 8/1948 Sandler D2/923
D166,090 S * 3/1952 Maling D2/897
2,772,488 A 12/1956 Meltzer
2,904,814 A 9/1959 Scholl
3,148,378 A 9/1964 Tibbitts
D200,897 S * 4/1965 Mitchell D2/939
D220,464 S 4/1971 Hayoshi
D247,396 S * 3/1978 Schlerth D2/939
4,412,393 A 11/1983 Terlizzi, Jr. et al.
D275,525 S 9/1984 Nakao
4,674,206 A 6/1987 Lyden
D295,692 S * 5/1988 Zuidema D2/950
D300,085 S 3/1989 Ito et al.
RE33,018 E 8/1989 Ostrander
4,899,412 A 2/1990 Ganon
D316,773 S 5/1991 Valle
5,012,541 A 5/1991 Ganon
D339,669 S * 9/1993 Miller D2/939
5,282,326 A 2/1994 Schroer, Jr. et al.
5,421,050 A 6/1995 Laganas
5,699,629 A 12/1997 Munschy
5,746,014 A 5/1998 Tanemoto
D420,785 S 2/2000 Perez
6,055,745 A 5/2000 Endoh
6,076,284 A 6/2000 Terlizzi
6,189,239 B1 2/2001 Gasparovic et al.
6,338,207 B1 1/2002 Chang
D457,292 S * 5/2002 Sessa D2/949
D461,947 S 8/2002 Merceron
6,588,124 B2 6/2003 Morrone
D476,798 S 7/2003 Reynolds et al.
D498,041 S 11/2004 McClaskie
D500,191 S * 12/2004 Belley D2/969
D501,706 S 2/2005 McClaskie
6,857,203 B2 2/2005 Minden
6,895,693 B2 5/2005 Baruck
6,978,557 B2 12/2005 Lee
7,032,327 B1 4/2006 Tartaglia et al.
7,036,244 B1 5/2006 Finch
D527,513 S 9/2006 Della Valle
D529,513 S * 10/2006 Aketa D15/5
D531,790 S 11/2006 Wurzburg
D534,341 S * 1/2007 Choi D2/971
D542,513 S 5/2007 Amado et al.
D556,990 S 12/2007 Cabados
7,337,558 B2 3/2008 Terlizzi et al.
D567,485 S 4/2008 James
D570,488 S 6/2008 Kirksey et al.
D571,084 S 6/2008 Comeau
D571,548 S 6/2008 Seamans
D571,989 S 7/2008 Siegal
D580,640 S 11/2008 Wurzburg
D582,638 S 12/2008 Ringholz
7,496,982 B2 3/2009 Clark et al.

7,506,459 B2 3/2009 Grisoni et al.
D591,031 S 4/2009 Cofinco
D593,295 S * 6/2009 Belley D2/969
D593,296 S 6/2009 Belley et al.
D593,297 S * 6/2009 Belley D2/969
D593,307 S * 6/2009 Belley D2/969
D599,093 S * 9/2009 Issler D2/925
D604,030 S 11/2009 Wilson
D607,194 S 1/2010 Zagula
D610,332 S 2/2010 Raichle
D610,785 S 3/2010 Smith
D612,140 S 3/2010 Moon
D612,141 S 3/2010 Moon
7,694,435 B1 4/2010 Kiser et al.
D615,737 S 5/2010 Feller
7,735,244 B1 6/2010 Ameche
7,743,530 B2 6/2010 Truelsen
D618,891 S 7/2010 McClaskie
7,757,408 B2 7/2010 McClaskie
D630,829 S 1/2011 Weisner
D632,881 S 2/2011 Rosenberg
7,926,203 B2 4/2011 Wilkenfeld
7,966,747 B2 6/2011 Wilkenfeld et al.
D640,861 S 7/2011 Wilkenfeld
8,020,320 B2 9/2011 Gillespie
8,127,468 B2 3/2012 Morgan
D657,543 S 4/2012 Bove
D659,960 S 5/2012 Bizzo
8,230,619 B2 7/2012 Salvatelli
D664,755 S 8/2012 Gavrieli et al.
D665,157 S 8/2012 Wu
8,240,067 B2 8/2012 Sussmann
8,245,420 B2 8/2012 Wilson
D668,027 S 10/2012 Millieret
D668,438 S 10/2012 Millieret
D668,847 S * 10/2012 Gavrieli D2/925
D668,848 S * 10/2012 Gavrieli D2/925
D668,849 S 10/2012 Pozzi
D668,850 S 10/2012 Pozzi
D672,542 S 12/2012 Gray et al.
D676,634 S * 2/2013 Gavrieli D2/925
D681,927 S * 5/2013 Gavrieli D2/925
D681,928 S * 5/2013 Gavrieli D2/925
D681,929 S * 5/2013 Gavrieli D2/925
D683,936 S * 6/2013 Gavrieli D2/925
8,468,723 B2 6/2013 Malka-Harari
D686,812 S 7/2013 Gavrieli et al.
8,510,975 B2 8/2013 Krikelis
D688,853 S * 9/2013 Gavrieli D2/925
D688,854 S * 9/2013 Gavrieli D2/925
D688,855 S * 9/2013 Gavrieli D2/925
D689,270 S * 9/2013 Gavrieli D2/925
D689,271 S * 9/2013 Gavrieli D2/925
D689,272 S * 9/2013 Gavrieli D2/925
D690,914 S * 10/2013 Gavrieli D2/925
D690,915 S * 10/2013 Gavrieli D2/925
D696,500 S 12/2013 Hunt
D699,424 S 2/2014 Hamm
8,661,714 B2 3/2014 Sussmann
8,745,893 B2 6/2014 Gavrieli et al.
8,973,287 B2 3/2015 Shibata
2002/0078591 A1 6/2002 Morrone
2002/0129519 A1 9/2002 Cahan
2003/0070319 A1 4/2003 Minden
2003/0121176 A1 7/2003 Baruck
2004/0025377 A1 2/2004 Brannon
2005/0022421 A1 2/2005 Bruckner
2005/0115115 A1 6/2005 Lacey
2005/0217148 A1 10/2005 Connolly et al.
2005/0262734 A1 12/2005 Cheng
2006/0086005 A1 4/2006 Yerian
2006/0156576 A1 7/2006 Sloan
2007/0074424 A1 4/2007 Lin
2007/0204482 A1 9/2007 Gibson-Collinson
2007/0204483 A1 9/2007 Kirsch et al.
2008/0052964 A1 3/2008 Taylor
2008/0086912 A1 4/2008 Wilkenfeld
2008/0110059 A1 5/2008 Kuramoto et al.
2009/0019732 A1 1/2009 Sussmann

(56)

References Cited

U.S. PATENT DOCUMENTS

2009/0193685	A1	8/2009	Wilson
2009/0205222	A1	8/2009	McLinden
2009/0272009	A1	11/2009	Weisner et al.
2010/0011625	A1	1/2010	Percival
2010/0018080	A1	1/2010	Smith
2010/0050469	A1	3/2010	Chen
2010/0095557	A1	4/2010	Jarvis
2010/0115793	A1	5/2010	Kraisosky
2010/0122475	A1	5/2010	Purrington
2010/0146822	A1	6/2010	MacGregor
2010/0212186	A1	8/2010	Cheng
2010/0275462	A1	11/2010	Pucci
2010/0281713	A1	11/2010	Pantazes
2015/0089843	A1	4/2015	Gavrieli

FOREIGN PATENT DOCUMENTS

CN	201365610	Y	12/2009
CN	101912175	A	12/2010
DE	20 2006 000230	U1	5/2007
GB	2443937	A	5/2008
GB	2 446 205	A	8/2008
JP	S42-016036	U	9/1967
JP	60-153203	U	10/1985
JP	07163401	A	6/1995
JP	8-214908	A	8/1996
JP	3038246	U	3/1997
JP	10-155502	A	6/1998
JP	3072414	U	7/2000
KR	100781008	B1	11/2007
KR	100805349	B1	2/2008
RU	72825	U1	10/2008
TW	M251483		1/1993
TW	D119165		10/2007
WO	WO 2011/005568	A2	1/2011

OTHER PUBLICATIONS

Letter from TMI and Associates with Office Action, 2 pgs, dated Sep. 19, 2012 <http://www.payless.com/store/?&TLC=Womens&SLC=WomensNewArrivals>

&BLC=WomensNewArrivalsNewArrivals&With+Regular
&ItemCode=60131&LotNumber=062642&Type=Adult
&Popularity=637&Descriptvein.

Taiwanese Office Action for TW 101300726, 10 pgs., dated Sep. 6, 2012.

“The Love List, Tiefs by Gavrieli—Foldable Ballet Flats,” <http://thelovelist-carly.blogspot.com.au/2010/09/tiefs-by-gavrieli-foldable-ballet.html>, 3 pgs., Sep. 12, 2010.

“Tiefs by Gavrieli,” <http://tiefs.com>, 1 pg., retrieved Mar. 13, 2013 from URL.

“Try It Mummy!, Tiefs by Gavrieli,” <http://tryitmummy.blogspot.com.au/2010/12/tiefs-by-gavrieli.html>, 4 pgs., Dec. 9, 2010.

“Wearability—Real People Style, What came first, the City Flat or the Tiefs,” <http://wearability.posterous.com/what-came-first-the-city-flat-or-the-tiefs>, 4 pgs., Aug. 29, 2010.

“The Ballet Flat . . . Reinvented; Ballet Flats . . . with a Bonus; Step Into Tiefs; Going Places? Take Tiefs,” <http://web.archive.org/web/2010052004346/http://www.tiefs.com/>; 4 pgs., May 24, 2010.

“Tiefs—Comfortable designer flats you can fit in your purse and wear all day, every day,” <http://web.archive.org/web/20110731151555/http://tiefs.com/>; 6 pgs., Jul. 31, 2011.

“58th Annual Emmy Awards,” http://spoonsforksandfashion.blogspot.com/2006_08_01_archive.html, depicting Nine West flats, 11 pgs., Aug. 1, 2006.

Pictures of Nine West flats sold in 2006, 3 pgs.

“I Love a Good Ballet Flat!,” <http://dressupfiles.com/i-love-a-good-ballet-flat>, depicting Sue London flats, 4 pgs., Sep. 3, 2010.

Pictures of Sue London flats sold in 2010, 2 pgs.

“Miss Cathie Reviews: The Yosi Samra Foldable Ballet Flat . . .,” <http://www.misscathie.com/2010/01/miss-cathie-reviews-the-yosi-samra-foldable-ballet-flat/>, depicting Yosi Samra flats, 7 pgs., Jan. 2010.

Pictures of Yosi Samra flats sold in 2010, 2 pgs.

“Goodbye two thousand ten,” http://emmajoyrussell.blogspot.com/2010_12_01_archive.html, depicting Gap flats, 39 pgs., Dec. 1, 2010.

Pictures of Gap flats available for sale in 2010, 9 pgs.

“Our newest design of folding flats-Pink,” <https://fitinclouds.wordpress.com/2010/05/16/our-newest-design-of-folding-flats-pink/>, depicting Fit in Clouds flats, 1 pg., May 16, 2010.

“Fit in Clouds Satin Folding Shoes,” <http://www.goodhousekeeping.com/product-reviews/clothing/best-ballet-flats/fit-in-clouds-satin-foldable-ballet-flats>, depicting Fit in Clouds flats, 1 pg., Aug. 2013.

Pictures of Fit in Clouds flats available for sale in 2011, 4 pgs.

“Shoes for Standing,” <https://truthinshoes.wordpress.com/2008/07/>, depicting Sam & Libby flats, 2 pgs., Jul. 31, 2008.

“Target Designer Collaboration: Announcing Sam & Libby Shoes for Target,” <http://www.therecessionista.com/2012/11/target-designer-collaboration-announcing-sam-libby-shoes-for-target.html>, depicting Sam & Libby flats, 1 pg., Nov. 26, 2012.

Pictures of Sam & Libby flats available for purchase in 2011, 5 pgs.

“Save your soles with Citisoles ballet flats,” <http://glamazondiaries.com/2009/07/save-your-soles-with-citisoles-ballet-flats>, depicting Citisoles flats, 3 pgs., Jul. 2009.

Pictures of Citisoles flats available for purchase in 2009, 3 pgs.

“#16 Corso Como Delicious Pumps Review and Giveaway!,” <http://www.mommatoldmeblog.com/2011/01/16-corso-como-delicious-pumps-review.html>, depicting Corso Como flats, 8 pgs., Jan. 16, 2011.

Pictures of Corso Como flats available for sale in 2011, 3 pgs.

“Jil-sander-navy-lead-ballet-flats-product . . .,” www.ebay.com, depicting Jil Sander flats, 4 pgs., Nov. 2013.

Pictures of Jil Sander flats available for sale in 2011, 3 pgs.

“Spare Soles: Shoes That Roll-up & Fold-up,” <http://herpackinglist.com/2011/01/spare-soles-shoes/>, depicting Spare Soles flats, 2 pgs., Jan. 2011.

Pictures of Spare Soles flats available for sale in 2011, 5 pgs.

The Original Rollable, Foldable ballet flats with matching wristlet—Spare Soles, <http://herpackinglist.com/2011/01/spare-soles-shoes/>, depicting Roll-Upz Spare Soles flats, 2 pgs., Jan. 2011.

Pictures of Roll-Upz by Spare Soles flats available for sale in 2011, 6 pgs.

“The Cutest Blog, Preppy 50 and Loving Lilly, Ballet Flat Delight,” <http://preppy50andlovinglilly.blogspot.com/2011/02/ballet-flat-delight.html>, depicting Henri Bendel flats, 13 pgs., Feb. 19, 2011.

Pictures of Henri Bendel flats available for sale in 2011, 4 pgs.

“Mumsnet by parents for parents,” http://www.mumsnet.com/Talk/style_and_beauty/a1612000-Anyone-tried-Redfoot-Flatmates-foldable-ballet-pumps, depicting Redfoot Flatmates flats, 1 pg., Nov. 14, 2012.

Pictures of Redfoot Flatmates flats available for sale in 2011, 6 pgs.

“Amazon.com: Customer Reviews: Bloch London Women’s Lux Ballet Flat,” <http://www.amazon.com/Bloch-London-Womens-Ballet-Flat/product-reviews/B004LW7YW>, depicting Bloch London flats, 4 pgs., Dec. 11, 2011.

Pictures of Bloch London flats offered for sale in 2011, 11 pgs.

“H&m foldable leopard print flat,” <http://845shops.wordpress.com/2011/06/16/flats-for-7-bucks/shoe1/>, depicting h&m flats, 3 pgs., Jun. 16, 2011.

Pictures of h&m foldable flats offered for sale in 2011, 4 pgs.

“Seekyt—Juicy Couture Ballet Flats-Are They Worth the Money?,” <http://seekyt.com/juicy-couture-ballet-flats-are-they-worth-the-money/>, 14 pgs., Jun. 3, 2011.

Pictures of Juicy Couture flats offered for sale in 2011, 3 pgs.

“Purse Flats,” <http://purseflats.wordpress.com>, depicting Purse Flats by Erica Wilson, 3 pgs., Jul. 12, 2012.

Pictures of Purse Flats by Erica Wilson offered for sale in 2011, 6 pgs.

“Splash Page,” <http://web.archive.org/web/20100524004346/http://www.tiefs.com/>, 4 pgs., May 24, 2010.

(56)

References Cited

OTHER PUBLICATIONS

“Tieks—Comfortable, designer flats you can fit in your purse and wear all day, every day,” <http://web.archive.org/web/20110731151555/http://tieks.com>, 6 pgs., Jul. 31, 2011.

“Tieks by Gavrieli—Comfortable, designer flats you can fit in your purse and wear all day . . . ,” <http://web.archive.org/web/20110202210649/http://www.tieks.com/>, 8 pgs., Feb. 2, 2011.

“Carolina M. M. Gonzalez > Tieks by Gavrieli,” <http://m2.facebook.com/Tieks?v=timeline&filter=2>

&timecutoff=1406427986&page=17

§ionLoadingID=m_timeline_

loading_div_1293868799_1262332800_8_17

&timeend=1293868799×tart=1262332800

&tm=AQDOvqhWQPN_Nbwm&refid=17, 1 pg. Jan. 26, 2010.

“The Shoes Oprah Would Wear to Work (if She Had to Walk),”

[http://www.inc.com/30under30/christina-desmarais/kfir-gavrieli-](http://www.inc.com/30under30/christina-desmarais/kfir-gavrieli-and-elram-gavrieli-founders-of-tieks.html)

[and-elram-gavrieli-founders-of-tieks.html](http://www.inc.com/30under30/christina-desmarais/kfir-gavrieli-and-elram-gavrieli-founders-of-tieks.html), 8 pgs., Jul. 2, 2012.

“Tieks by Gavrieli,” [http://m2.facebook.com/Tieks?v=timeline](http://m2.facebook.com/Tieks?v=timeline&filter=2&timecutoff=1406427986&page=14)

&filter=2&timecutoff=1406427986&page=14

§ionLoadingID=m_timeline_loading_div_1293868799_

1262332800_8_14&timeend=1293868799×tart=1262332800

&tm=AQDOvqhWQPN_Nbwm&refid=17, 4 pgs., Jan. 26, 2010.

“Mighty Life List, Sensible Shoes,” [http://mightygirl.com/2010/08/](http://mightygirl.com/2010/08/24/sensible-shoes/)

[24/sensible-shoes/](http://mightygirl.com/2010/08/24/sensible-shoes/), 10 pgs., Aug. 24, 2010.

“Find! Tieks: Fab & sexy flats for fall,” [http://thefabmom.com/](http://thefabmom.com/2013/08/29/find-tieks-fab-sexy-flats-for-fall/)

[2013/08/29/find-tieks-fab-sexy-flats-for-fall/](http://thefabmom.com/2013/08/29/find-tieks-fab-sexy-flats-for-fall/), 3 pgs. Aug. 29, 2013.

“Step into Tieks,” [http://sliceofpink.typepad.com/blog/2010/09/](http://sliceofpink.typepad.com/blog/2010/09/tieks-1.html)

[tieks-1.html](http://sliceofpink.typepad.com/blog/2010/09/tieks-1.html), 5 pgs., Sep. 22, 2010.

“In Need of Flat-Soled Shoes,” [http://sliceofpink.typepad.com/](http://sliceofpink.typepad.com/blog/2010/09/tieks-1.html)

[blog/2010/09/tieks-1.html](http://sliceofpink.typepad.com/blog/2010/09/tieks-1.html), 7 pgs., Oct. 3, 2010.

“Say Hello to the Flat Shoes You Need for Fall . . . All 88 of Them!”,

Picture of Adam Tucker Shoe/Slipper, [https://www.facebook.com/](https://www.facebook.com/search/top?q=adam%20shoes%20slipper)

[search/top?q=adam%20shoes%20slipper](https://www.facebook.com/search/top?q=adam%20shoes%20slipper), last accessed Oct. 28,

2016, dated Oct. 1, 2013, 1 page.

Picture of Adam Tucker Rainbow Shoes, [https://www.facebook.com/](https://www.facebook.com/search/top?q=adam%20shoes%20rainbow)

[search/top?q=adam%20shoes%20rainbow](https://www.facebook.com/search/top?q=adam%20shoes%20rainbow), last accessed Oct.

28, 2016, dated Aug. 14, 2013, 1 page.

* cited by examiner

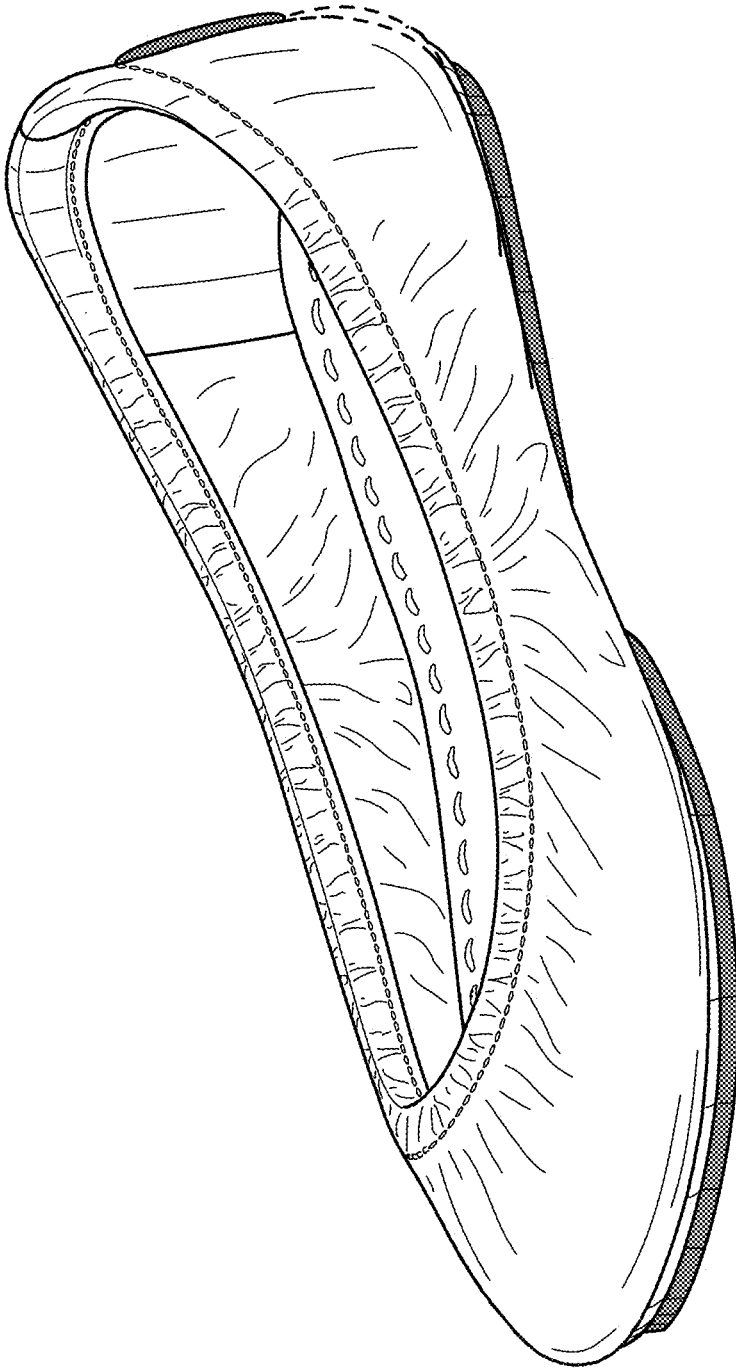


FIG. 1

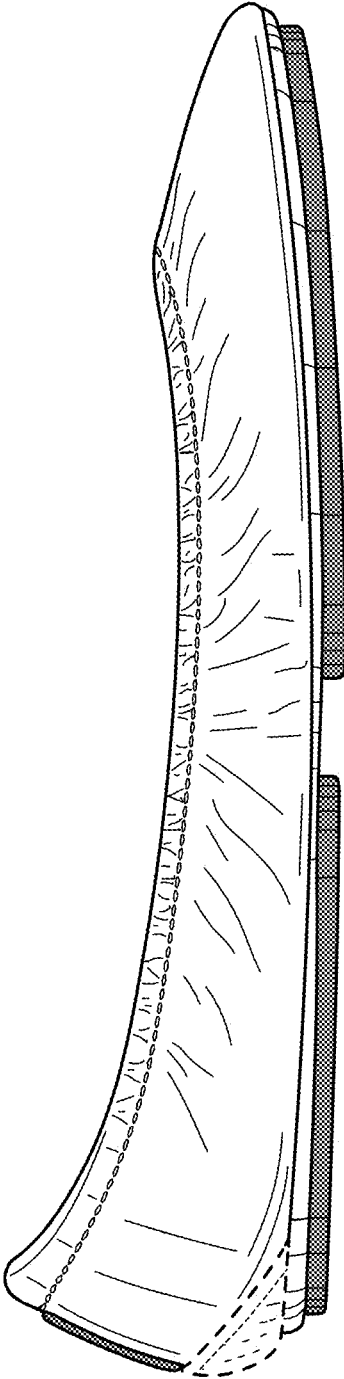


FIG. 2

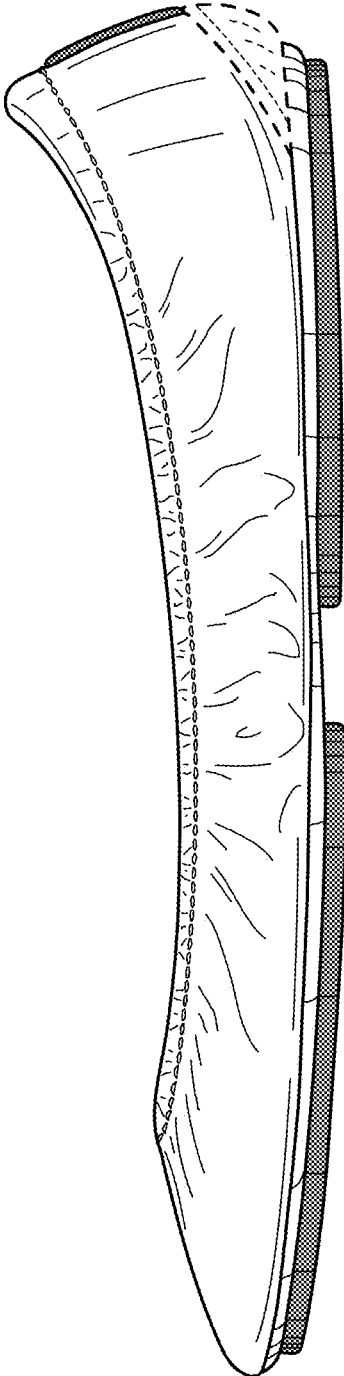


FIG. 3

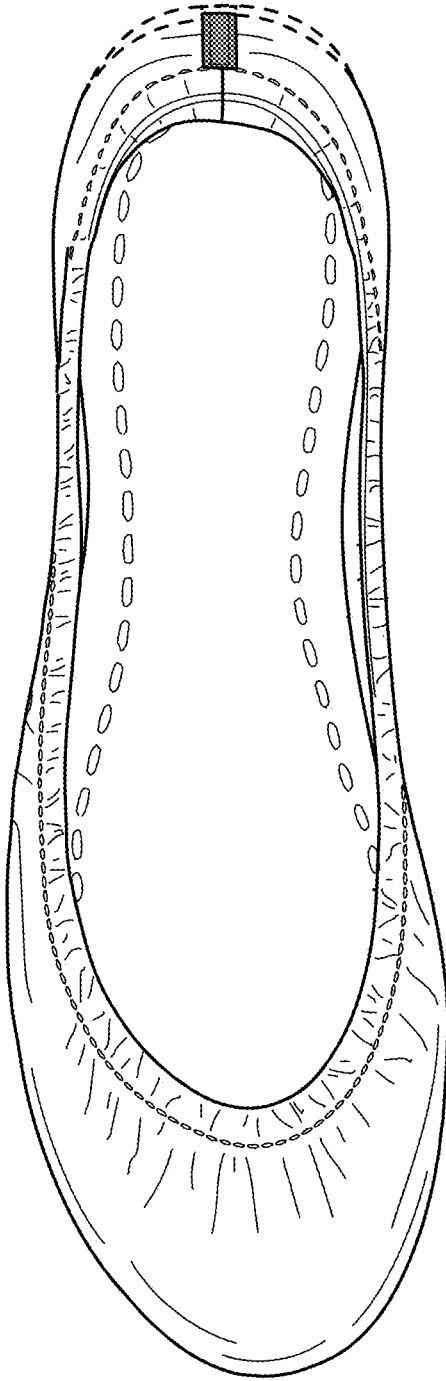


FIG. 4

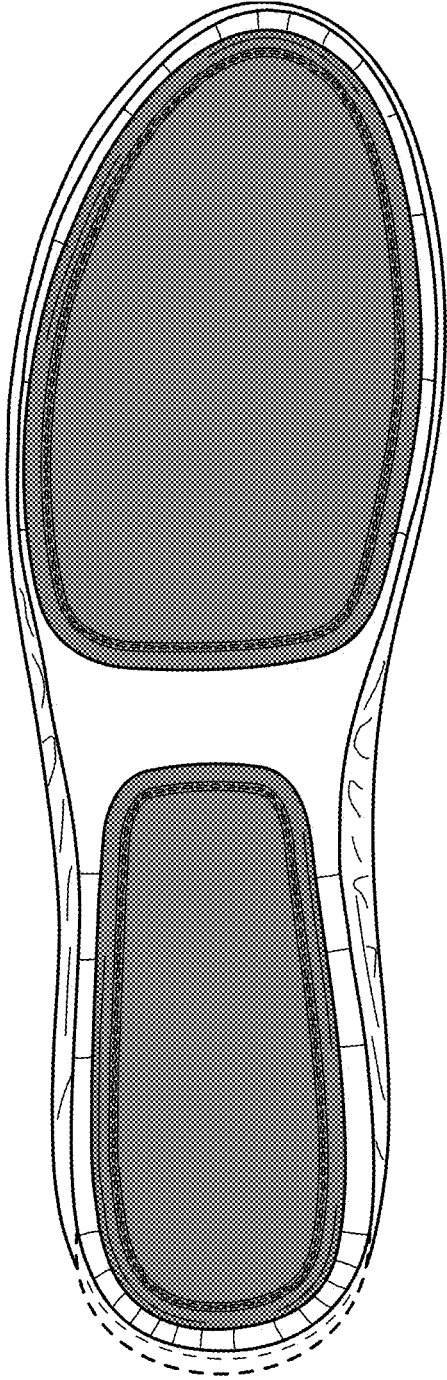


FIG. 5

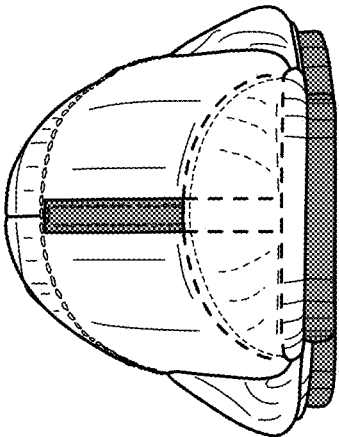


FIG. 7

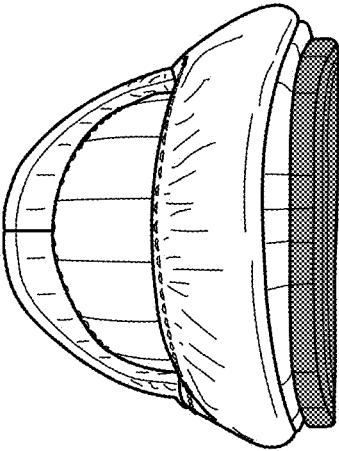


FIG. 6