



(12) **United States Design Patent**  
**Endo**

(10) **Patent No.:** **US D960,956 S**  
(45) **Date of Patent:** **\*\* Aug. 16, 2022**

- (54) **DASHCAM**
- (71) Applicant: **ALPS ALPINE CO., LTD.**, Tokyo (JP)
- (72) Inventor: **Hideki Endo**, Tokyo (JP)
- (73) Assignee: **ALPS ALPINE CO., LTD.**, Tokyo (JP)
- (\*\*) Term: **15 Years**
- (21) Appl. No.: **29/753,687**
- (22) Filed: **Oct. 1, 2020**

- D849,081 S \* 5/2019 Boling ..... D16/208
  - D849,082 S \* 5/2019 Boling ..... D16/208
  - D861,764 S 10/2019 Zhao
  - D867,427 S \* 11/2019 Bai ..... D16/202
- (Continued)

**FOREIGN PATENT DOCUMENTS**

CA 182212 \* 4/2019

**OTHER PUBLICATIONS**

“Blueskysea 4K Dash Cam, 3840x2160P Ultra HD Car Dash Camera w/ WiFi, GPS, 8MP Sensor, 3.16” Wide Screen, Night Vision, Wide Angle, Buffered Parking Mode, Motion Detection, G-Sensor” from Amazon.com, first available Oct. 26, 2020 from the internet <<https://www.amazon.com/Blueskysea-Dashboard-Recorder-170%C2%B0Wide-Detection/dp/B08LTWG5LG/>> (Year: 2020).\*

(Continued)

*Primary Examiner* — Rosemary K Tarcza  
*Assistant Examiner* — Lacey Chey Bowman  
(74) *Attorney, Agent, or Firm* — Crowell & Moring LLP

(30) **Foreign Application Priority Data**

Jul. 6, 2020 (JP) ..... D2020-13726

(51) **LOC (13) Cl.** ..... **16-01**

(52) **U.S. Cl.** ..... **D16/208; D16/203**

USPC ..... **D16/208; D16/203**

(58) **Field of Classification Search**

USPC .... D16/200–203, 214, 208; D10/46, 61, 62,  
D10/65, 70, 104.1, 106.6, 109.1;  
D14/203.1, 204, 203.8, 209.1, 317, 474,  
D14/496

CPC .... G03B 17/02; G03B 21/10; G03B 2217/00;  
H04N 5/2251; H04N 5/2252; H04N  
5/2253; H04N 5/2254; H04N 5/23216;  
H04N 5/232939

See application file for complete search history.

(57) **CLAIM**

The ornamental design for a dashcam, as shown and described.

**DESCRIPTION**

FIG. 1 is a perspective view of a dashcam showing the new design;

FIG. 2 is a front view thereof;

FIG. 3 is a rear view thereof;

FIG. 4 is a top view thereof;

FIG. 5 is a bottom view thereof;

FIG. 6 is a right side view thereof; and,

FIG. 7 is a left side view thereof.

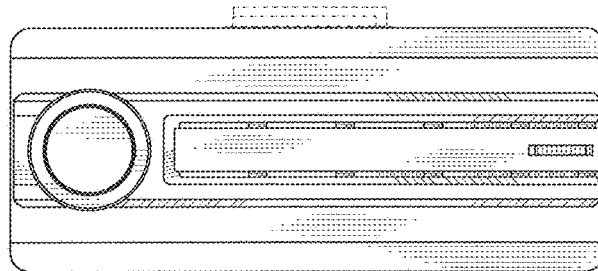
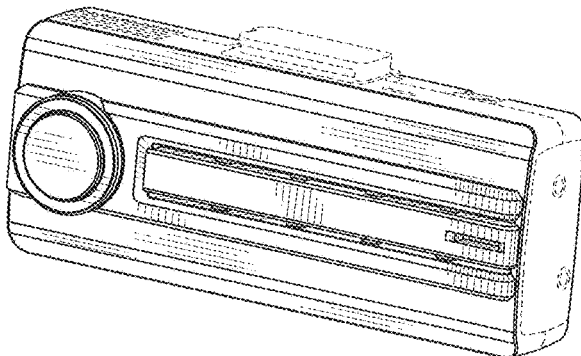
The broken lines illustrate portions of a dashcam that form no part of the claimed design.

**1 Claim, 4 Drawing Sheets**

(56) **References Cited**

**U.S. PATENT DOCUMENTS**

- D176,441 S \* 12/1955 Boughton ..... D10/64
- D491,970 S \* 6/2004 Ikenaga ..... D16/202
- D516,601 S \* 3/2006 Ishii ..... D16/202
- D552,141 S \* 10/2007 Kaplan ..... D16/202
- D754,231 S \* 4/2016 Murray ..... D16/202
- D756,436 S 5/2016 Ku
- D782,560 S 3/2017 Li et al.
- D819,107 S 5/2018 Lu
- D819,113 S 5/2018 Li et al.



(56)

**References Cited**

## U.S. PATENT DOCUMENTS

D875,809	S	*	2/2020	Huang	.....	D16/202
D881,254	S		4/2020	Guo		
D884,053	S		5/2020	Lee et al.		
D888,126	S	*	6/2020	Lee	.....	D16/202
D889,525	S		7/2020	Abdul		
D890,241	S		7/2020	Abdul		
D934,938	S	*	11/2021	Li	.....	D16/202
D952,482	S	*	5/2022	Wang	.....	D10/70
2022/0141385	A1	*	5/2022	Ishihara	.....	G03B 17/02 348/207.99

## OTHER PUBLICATIONS

“Dual Dash Cam Front and Inside 1080P Dash Camera for Cars with IR Night Vision Car Dash Cam for Taxi Accident Lock Parking Monitor 2.5" LCD Screen(SD Card Included)” from Amazon, first available Mar. 4, 2022 from the internet <<https://www.amazon.com/dp/B09TVFNCNP/>> (Year: 2022).\*

Alpine Electronics, Inc. website <https://www.alpine.co.jp/special/d-recorder/>; Published Jun. 25, 2020; 9 pages.

Alpine Electronics, Inc. website <https://www.alpine.co.jp/products/d-recorder/DVR-C310R/>; Published Jun. 25, 2020; 10 pages.

\* cited by examiner

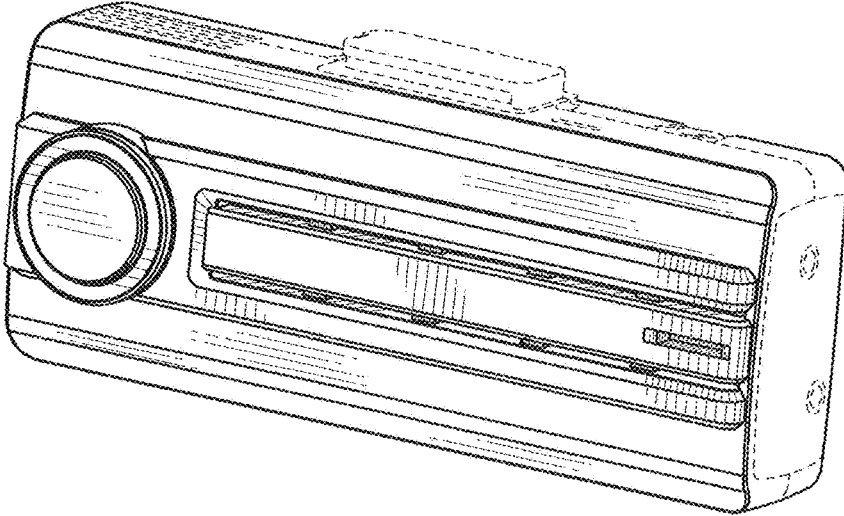


FIG. 1

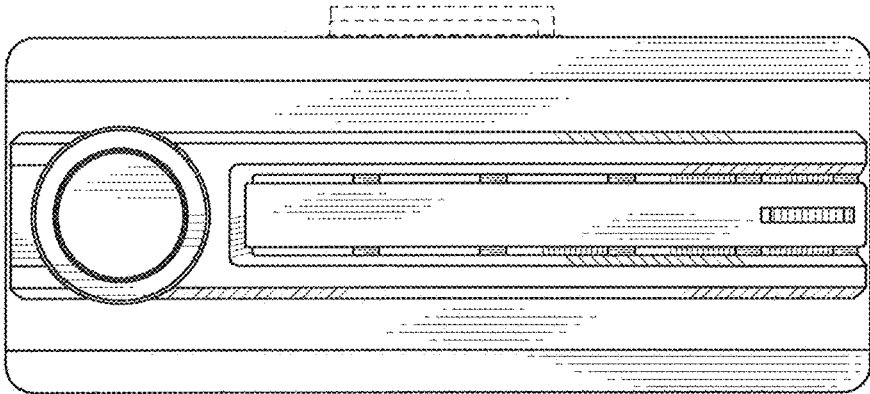


FIG. 2

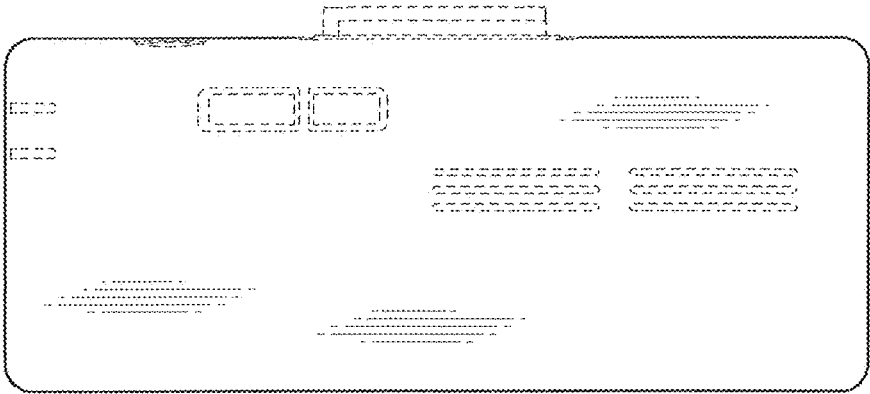


FIG. 3

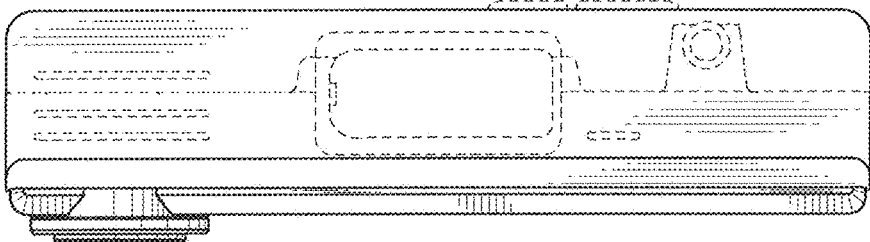


FIG. 4

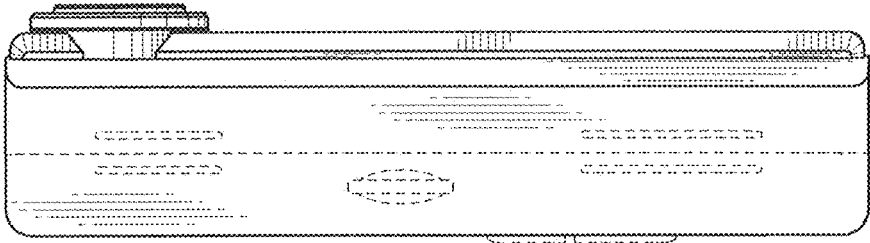


FIG. 5

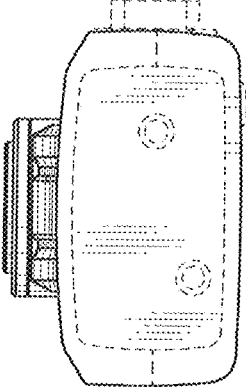


FIG. 6

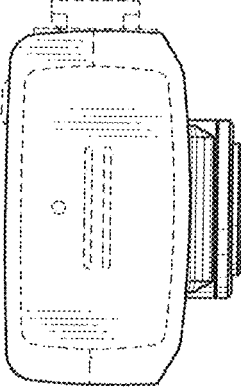


FIG. 7