



US00D594438S

(12) **United States Design Patent**  
**Wada**

(10) **Patent No.:** **US D594,438 S**

(45) **Date of Patent:** **\*\* Jun. 16, 2009**

(54) **SPEAKERPHONE**

(75) Inventor: **Isao Wada**, Hamamatsu (JP)

(73) Assignee: **Yamaha Corporation**, Shizuoka (JP)

(\*\*) Term: **14 Years**

(21) Appl. No.: **29/304,934**

(22) Filed: **Mar. 11, 2008**

(30) **Foreign Application Priority Data**

Oct. 5, 2007 (JP) ..... 2007-027262

(51) **LOC (9) Cl.** ..... **14-03**

(52) **U.S. Cl.** ..... **D14/149; D14/240**

(58) **Field of Classification Search** ..... D14/130,  
D14/137, 140, 140.1, 140.8, 141.1, 141.3,  
D14/142, 149-151, 158-159, 168, 171-172,  
D14/188, 211, 214, 225-226, 240, 243, 251,  
D14/253, 299, 336, 215, 167, 210, 212; 379/387.01,  
379/388.02, 420.02, 447, 453, 434; 381/16;  
D13/107-108

See application file for complete search history.

(56) **References Cited**

**U.S. PATENT DOCUMENTS**

- D225,865 S \* 1/1973 Sjostedt ..... D14/212
- D292,580 S \* 11/1987 Wang ..... D14/151
- D311,541 S \* 10/1990 Carre ..... D14/240
- D312,423 S \* 11/1990 Orlinsky et al. .... D10/104
- D321,187 S \* 10/1991 Yang ..... D14/150
- 5,105,906 A \* 4/1992 Wegner ..... 181/156
- D339,996 S \* 10/1993 Rattley ..... D10/104
- D357,685 S \* 4/1995 Reardon et al. .... D14/242

- D401,582 S \* 11/1998 Gremchuck ..... D14/210
- D473,546 S \* 4/2003 Hovanky et al. .... D14/240
- D478,560 S \* 8/2003 Misrahi et al. .... D14/150
- D543,180 S \* 5/2007 Ra ..... D14/138 AB
- D566,682 S \* 4/2008 Marash ..... D14/149

**OTHER PUBLICATIONS**

Phoenix Audio Duet-PCS VoIP USB PC Conferencing Speakerphone, <URL:http://www.ahernstore.com/duetpcs.html>, retrieved from internet Feb. 12, 2009.\*

\* cited by examiner

*Primary Examiner*—Charles A Rademaker

*Assistant Examiner*—Carla Jobe Wright

(74) *Attorney, Agent, or Firm*—Sughrue Mion, PLLC

(57) **CLAIM**

The ornamental design for a speakerphone, as shown and described.

**DESCRIPTION**

FIG. 1 is a perspective view of the top, front and right side of a speakerphone showing my new design;

FIG. 2 is a perspective view of the bottom, rear and right side thereof;

FIG. 3 is a top plan view thereof;

FIG. 4 is a front elevational view thereof;

FIG. 5 is a rear elevational view thereof;

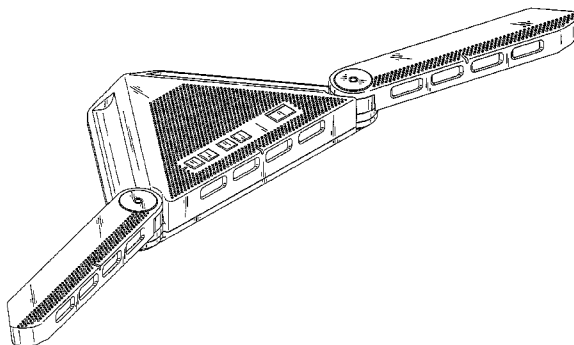
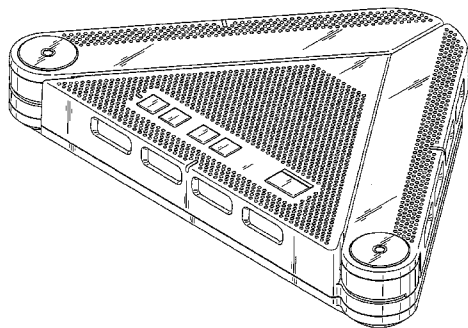
FIG. 6 is a left side elevational view thereof;

FIG. 7 is a right side elevational view thereof;

FIG. 8 is a bottom plan view thereof; and,

FIG. 9 is a perspective view thereof while in use.

**1 Claim, 7 Drawing Sheets**



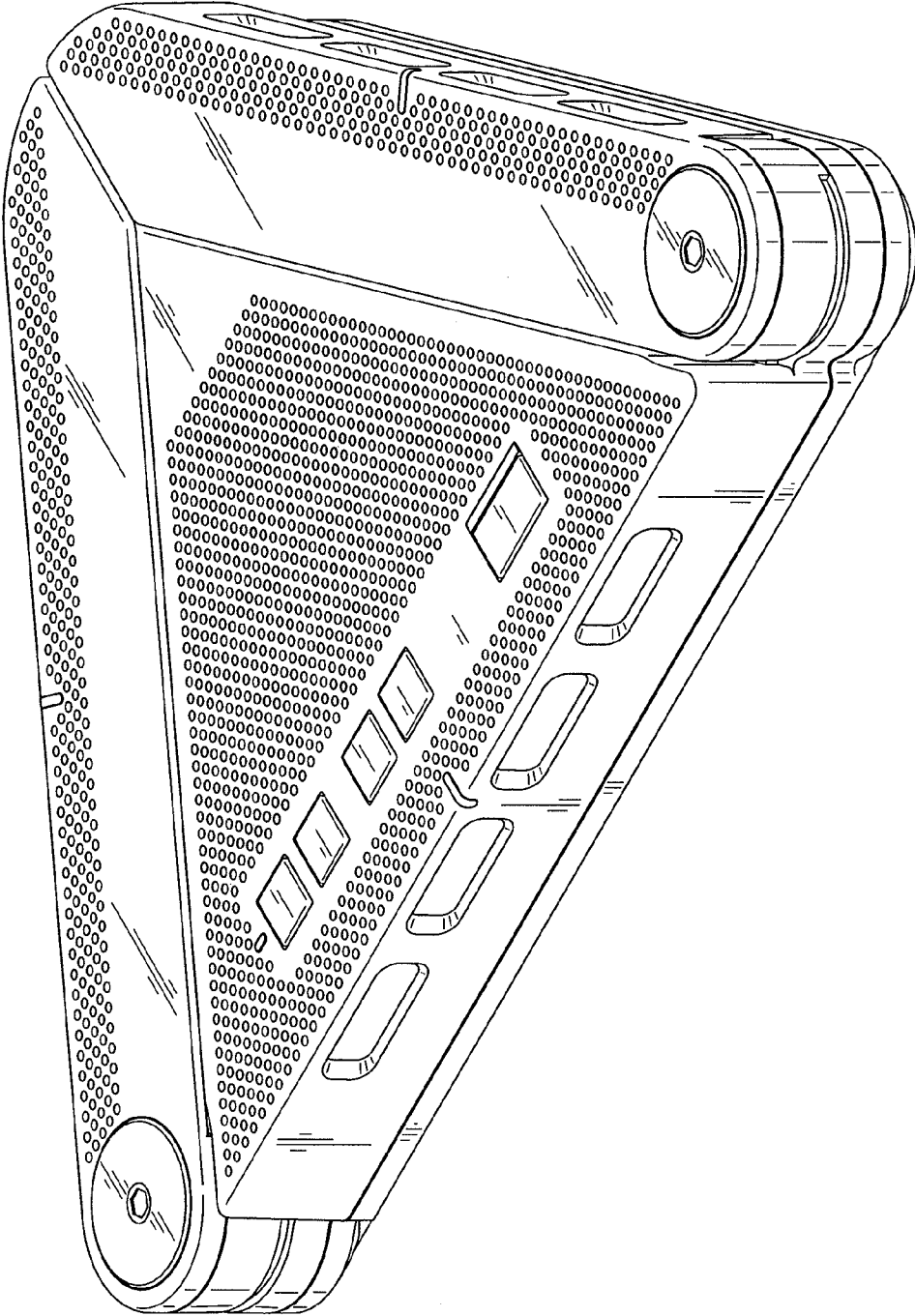


FIG. 1

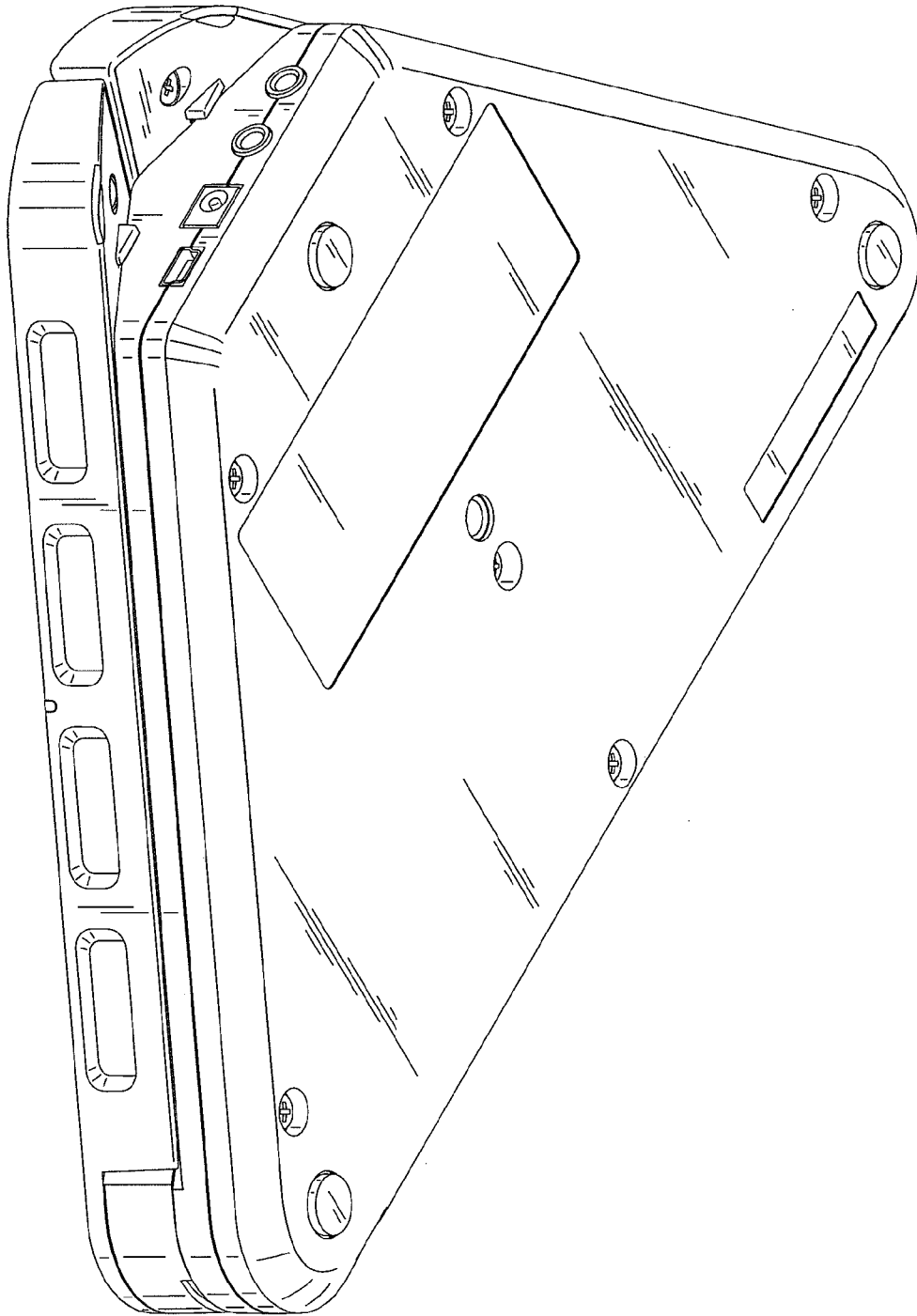


FIG. 2

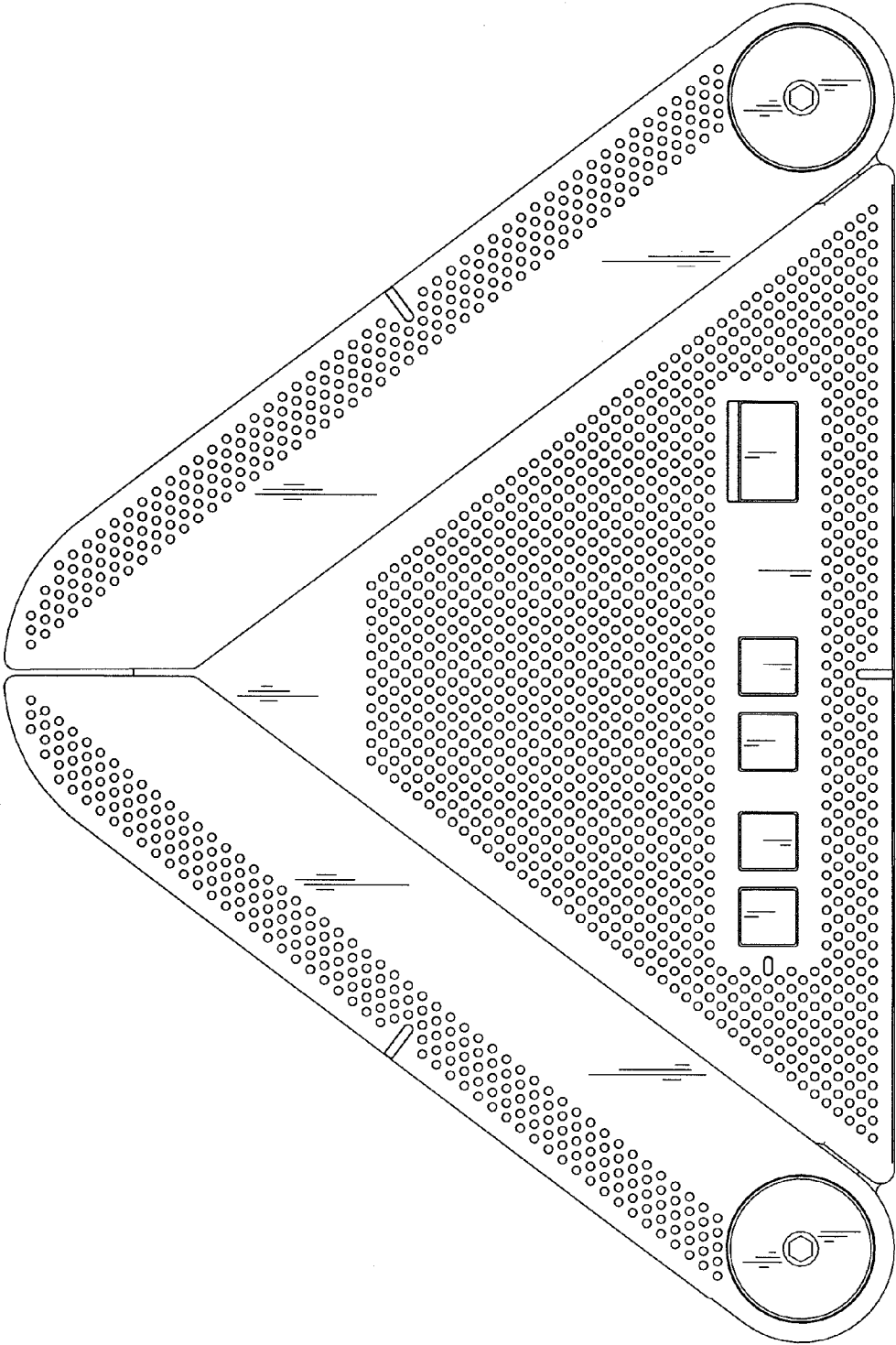


FIG. 3

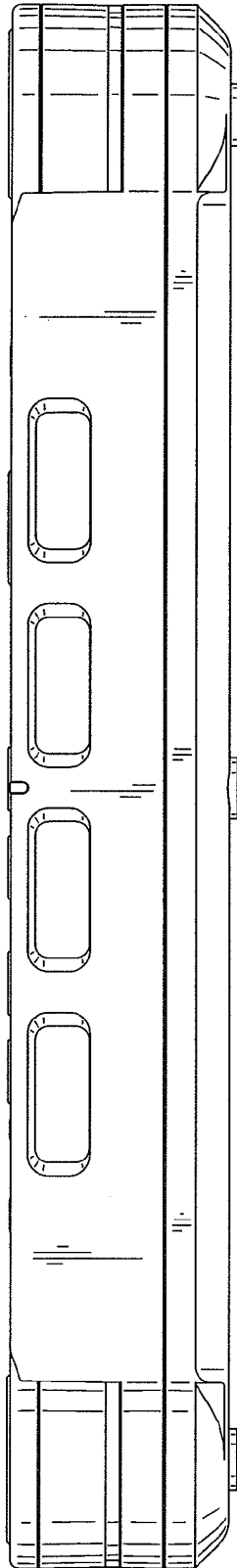


FIG. 4

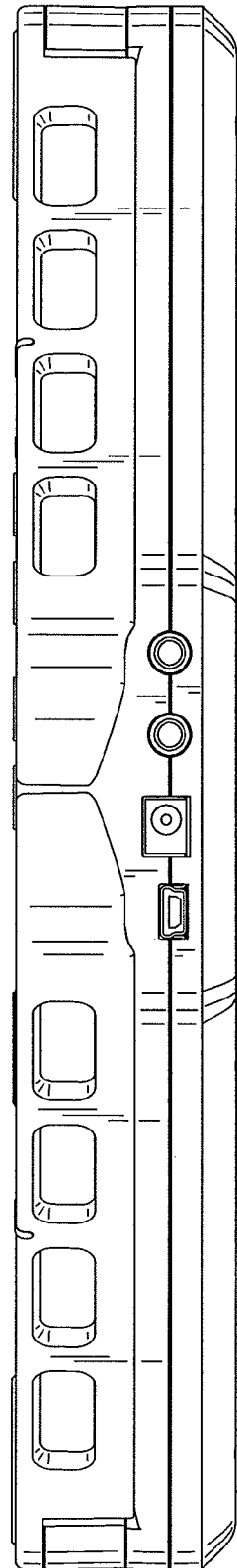
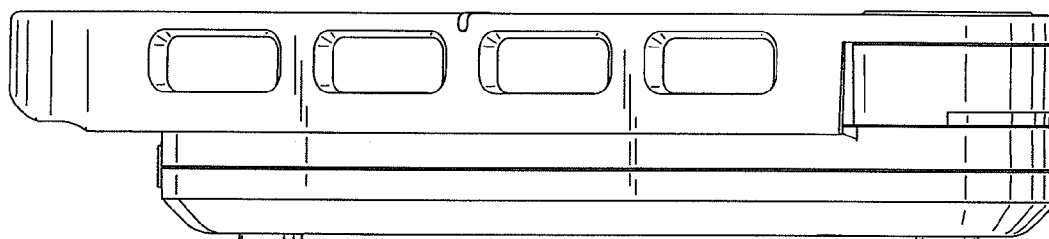
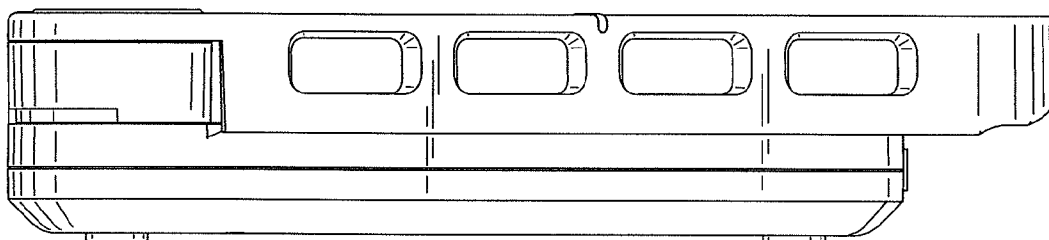


FIG. 5



*FIG. 6*



*FIG. 7*

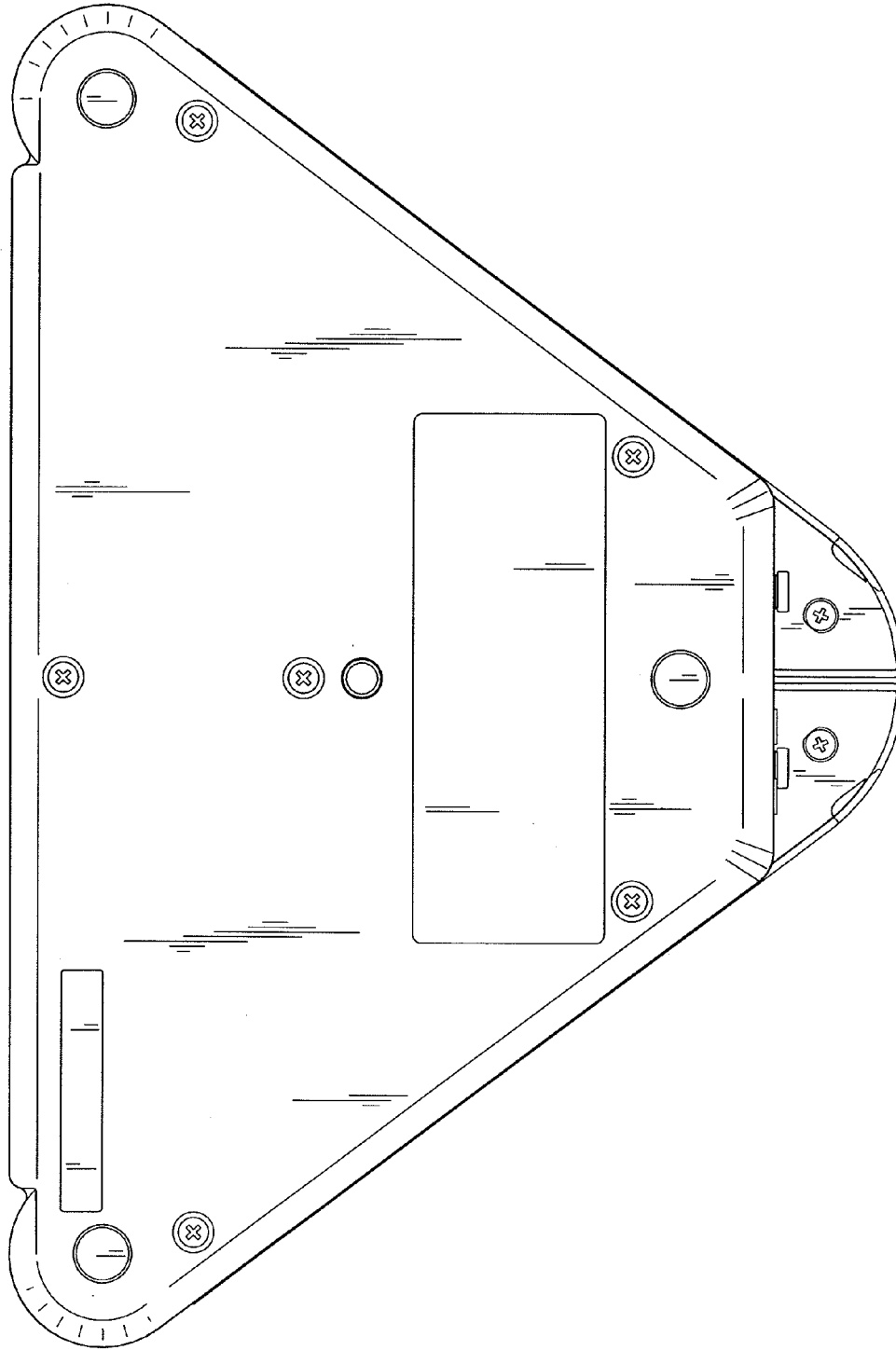


FIG. 8

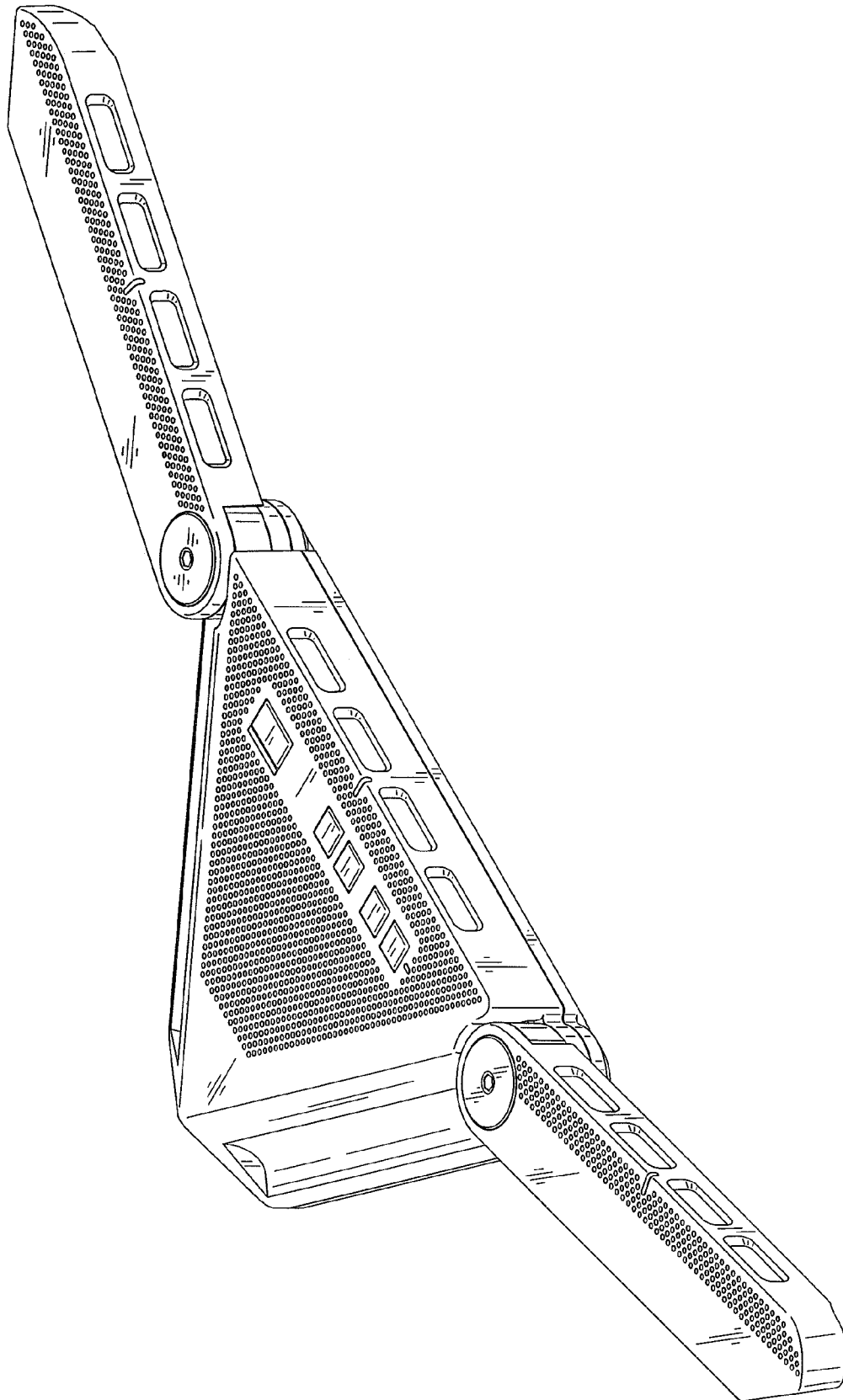


FIG. 9