



US0D1046742S

(12) **United States Design Patent**  
**Skelley**

(10) **Patent No.:** **US D1,046,742 S**

(45) **Date of Patent:** **\*\* Oct. 15, 2024**

(54) **VEHICLE WHEEL**

(71) Applicant: **GM GLOBAL TECHNOLOGY OPERATIONS LLC**, Detroit, MI (US)

(72) Inventor: **Ryan D. Skelley**, Berkley, MI (US)

(73) Assignee: **GM GLOBAL TECHNOLOGY OPERATIONS LLC**, Detroit, MI (US)

(\*\*) Term: **15 Years**

(21) Appl. No.: **29/831,278**

(22) Filed: **Mar. 18, 2022**

(51) **LOC (14) Cl.** ..... **12-16**

(52) **U.S. Cl.**  
USPC ..... **D12/211**

(58) **Field of Classification Search**

USPC ..... D12/204-213, 501; D21/563, 779  
CPC .... B60B 7/00; B60B 7/01; B60B 7/02; B60B 7/04; B60B 7/06; B60B 3/02; B60B 3/04; B60B 3/06; B60B 3/10; B60B 1/00; B60B 1/08; B60B 1/10; B60B 1/12

See application file for complete search history.

(56) **References Cited**

**U.S. PATENT DOCUMENTS**

D258,503 S 3/1981 Semple  
D258,504 S 3/1981 Schinella  
D258,732 S 3/1981 Schinella  
D259,484 S 6/1981 Welburn  
D267,402 S 12/1982 Schinella  
D267,562 S 1/1983 Palmer et al.  
D267,564 S 1/1983 Wright  
D268,105 S 3/1983 Schinella  
D271,012 S 10/1983 Palmer et al.  
D272,897 S 3/1984 Chapman  
D273,781 S 5/1984 Chapman  
D275,192 S 8/1984 Schinella

D275,193 S 8/1984 Schinella  
D277,661 S 2/1985 Cafaro et al.  
D281,491 S 11/1985 Schinella  
D282,159 S 1/1986 Schell et al.  
D285,675 S 9/1986 Chandler  
D285,676 S 9/1986 Clark  
D285,677 S 9/1986 Menking  
D285,786 S 9/1986 Munson  
D291,879 S 9/1987 Boyle et al.  
D292,389 S 10/1987 Boyle et al.  
D292,390 S 10/1987 Ruzzin  
D292,568 S 11/1987 Cafaro et al.  
D292,569 S 11/1987 Cafaro et al.  
D292,572 S 11/1987 Schell et al.  
D292,574 S 11/1987 Cafaro et al.  
D292,906 S 11/1987 Menking et al.  
D292,907 S 11/1987 Cafaro et al.  
D294,342 S 2/1988 Chapman  
D298,528 S 11/1988 Burke et al.  
D300,422 S 3/1989 Schinella  
D301,865 S 6/1989 McIntosh  
D301,866 S 6/1989 Chapman et al.  
D302,004 S 7/1989 Chapman et al.  
D310,811 S 9/1990 North et al.  
D310,989 S 10/1990 North et al.  
D310,990 S 10/1990 Chandler  
D316,844 S 5/1991 Peloquin et al.  
D323,806 S 2/1992 Stewart  
D336,742 S 6/1993 Stewart

(Continued)

*Primary Examiner* — Mark A Goodwin

*Assistant Examiner* — Adam C Mager

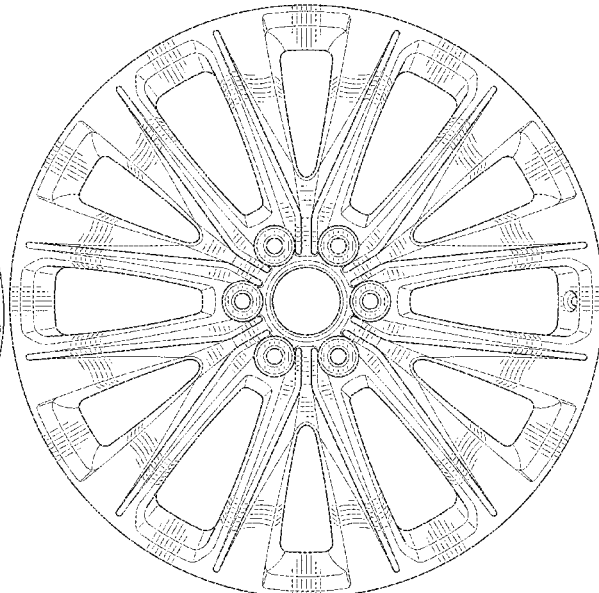
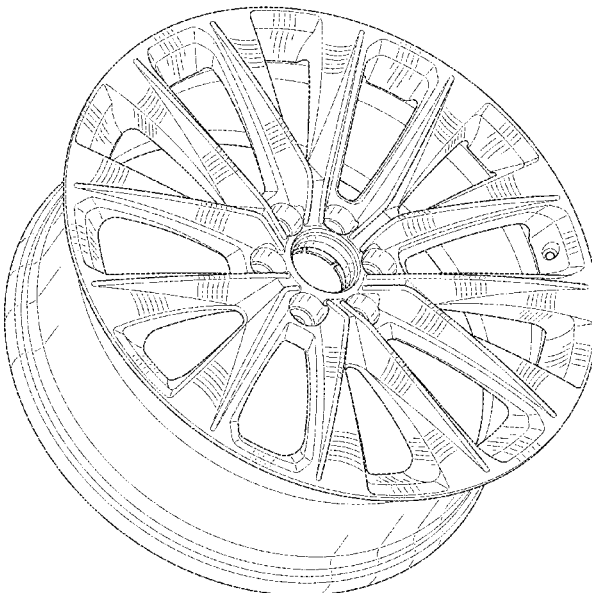
(57) **CLAIM**

The ornamental design for a vehicle wheel, as shown and described.

**DESCRIPTION**

FIG. 1 is a front and left side perspective view of a vehicle wheel showing my new design; and, FIG. 2 is a front elevation view thereof.

**1 Claim, 2 Drawing Sheets**



(56)

References Cited

U.S. PATENT DOCUMENTS

D345,127 S 3/1994 Stenglein et al.  
D567,167 S \* 4/2008 Forster ..... D12/211  
D594,802 S 6/2009 Gustafsson  
D613,661 S 4/2010 Lee et al.  
D648,254 S 11/2011 Barry  
D655,658 S 3/2012 Noone et al.  
D656,877 S 4/2012 Ikeda et al.  
D664,081 S 7/2012 Muller  
D668,197 S \* 10/2012 Gotschke ..... D12/211  
D670,634 S 11/2012 Lee  
D684,516 S 6/2013 Bennion  
D700,565 S 3/2014 Gonzalez  
D729,720 S \* 5/2015 Chen ..... D12/211  
D731,388 S \* 6/2015 Gotschke ..... D12/211  
D735,102 S 7/2015 Swanseger  
D735,630 S 8/2015 Swanseger  
D775,049 S 12/2016 Scheer et al.  
D780,084 S 2/2017 Scheer et al.  
D795,153 S \* 8/2017 Peat ..... D12/211  
D805,991 S \* 12/2017 Platto ..... D12/209  
D830,940 S \* 10/2018 Peat ..... D12/211  
D836,526 S 12/2018 Skelley  
D858,402 S \* 9/2019 Betancourt ..... D12/209  
D864,074 S \* 10/2019 Badstuebner ..... D12/209  
D899,997 S \* 10/2020 Glover ..... D12/209  
D908,062 S 1/2021 Choi et al.  
D938,879 S 12/2021 Skelley  
D938,880 S 12/2021 Skelley  
D939,419 S 12/2021 Skelley  
D971,109 S \* 11/2022 Langhals ..... D12/209  
D993,871 S \* 8/2023 Carbis ..... D12/209  
D1,001,710 S \* 10/2023 Badstuebner ..... D21/563  
D1,031,588 S \* 6/2024 Eburah ..... D12/209

\* cited by examiner

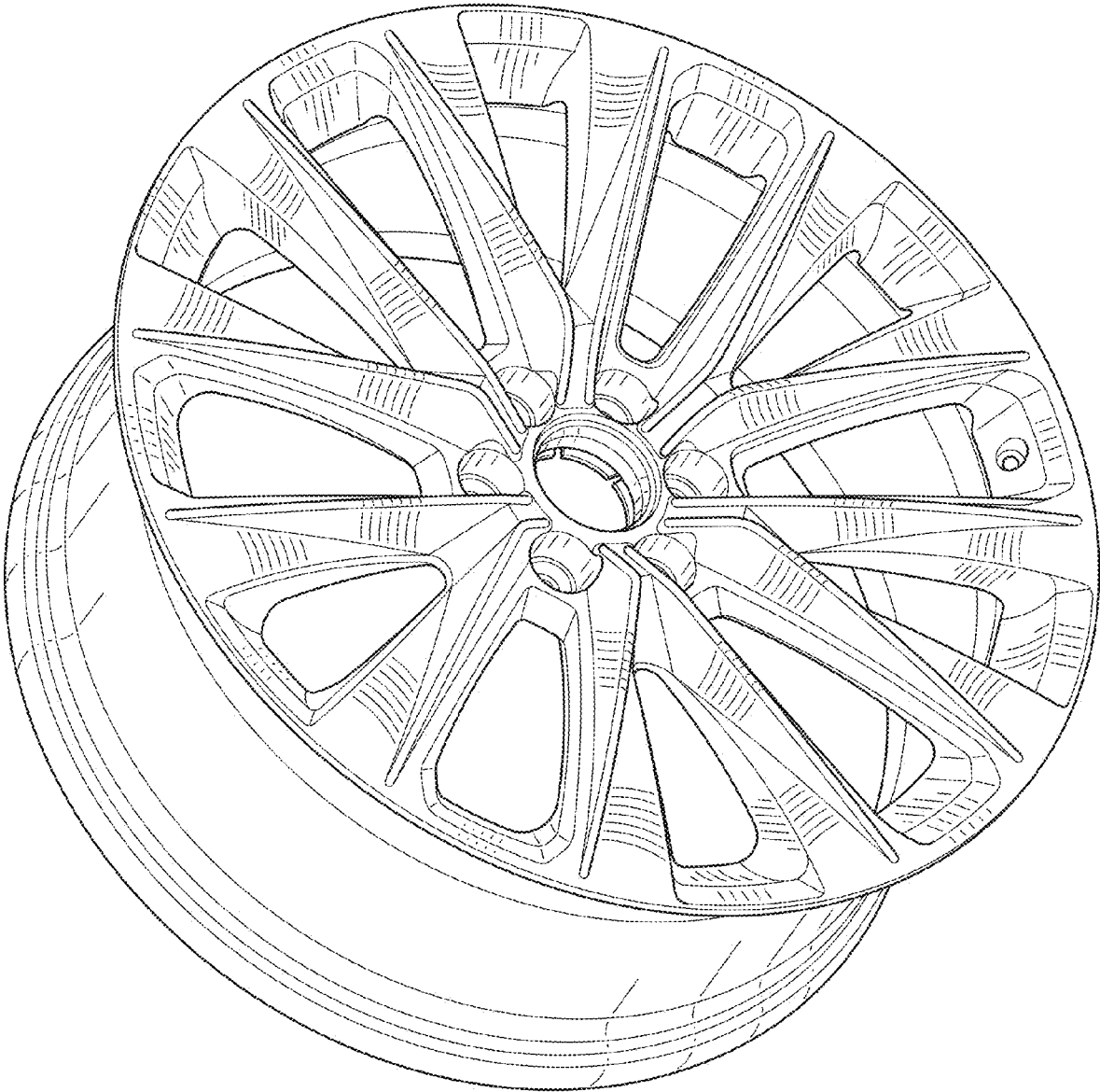


FIG. 1

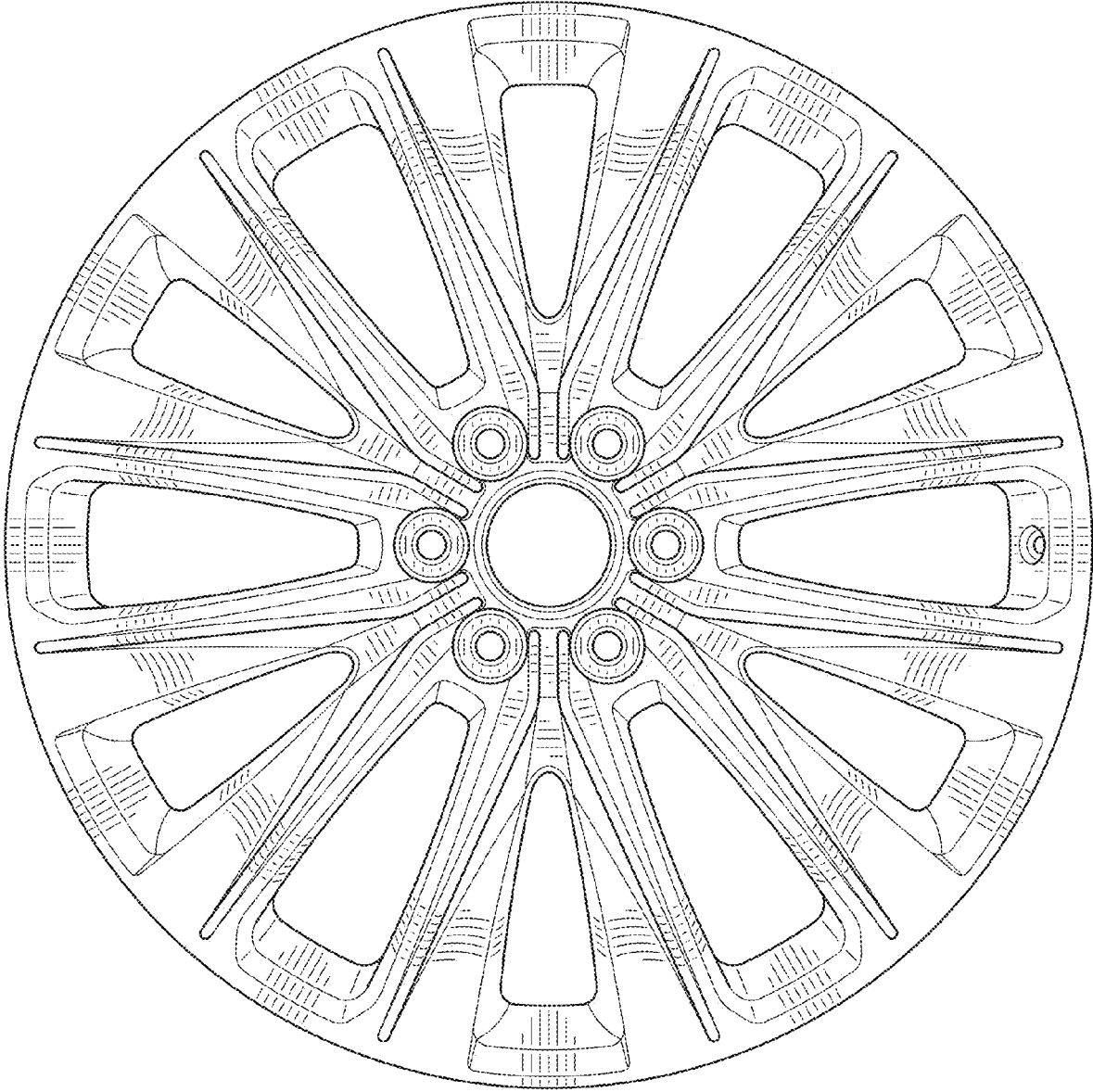


FIG. 2