



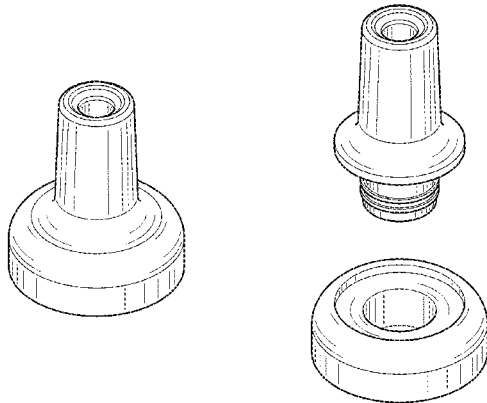
US00D844236S

(12) **United States Design Patent**  
**Tidnam et al.**

(10) **Patent No.:** **US D844,236 S**  
(45) **Date of Patent:** **\*\* Mar. 26, 2019**

- (54) **ELECTRONIC CIGARETTE VAPORIZER MOUTHPIECE**
- (71) Applicant: **Nicoventures Holdings Limited,**  
London (GB)
- (72) Inventors: **Matthew Peter Tidnam,** Thames  
Ditton (GB); **Neil Martin Baron,**  
London (GB); **Alex Pearce,** Brentford  
(GB)
- (73) Assignee: **NICOVENTURES HOLDINGS LIMITED,** London (GB)
- (\*\*) Term: **15 Years**
- (21) Appl. No.: **29/630,860**
- (22) Filed: **Dec. 22, 2017**
- (30) **Foreign Application Priority Data**  
Jun. 26, 2017 (EM) ..... 004068104
- (51) **LOC (11) Cl.** ..... **27-02**
- (52) **U.S. Cl.**  
USPC ..... **D27/169; D27/170**
- (58) **Field of Classification Search**  
USPC ..... D27/100, 101, 162, 163-194;  
D19/115-123, 161-169; D24/110;  
D23/366; D9/447, 434, 439, 440, 454  
CPC ..... A24F 47/008; A24F 47/002; A24F 7/02;  
A61M 15/06  
See application file for complete search history.
- (56) **References Cited**  
**U.S. PATENT DOCUMENTS**  
D32,085 S \* 1/1900 Estes  
D154,503 S \* 7/1949 Morris ..... D9/439  
D201,420 S 6/1965 Bernard  
D217,330 S \* 4/1970 Conrey ..... D9/440  
D286,027 S \* 10/1986 Waher ..... D9/435  
D355,119 S \* 2/1995 Zimmermann ..... D9/440  
D365,889 S 1/1996 Kim  
D418,253 S 12/1999 Bakic

D424,739 S *	5/2000	Ross	.....	D27/170
D426,030 S	5/2000	Heeter et al.		
D453,472 S *	2/2002	Kwong	.....	D9/447
D487,398 S *	3/2004	Bremner	.....	D9/434
D495,450 S	8/2004	Ehrmann		
D531,900 S *	11/2006	Mavin	.....	D9/447
D644,375 S	8/2011	Zhou		
D653,803 S	2/2012	Timmermans		
D656,820 S *	4/2012	Willows	.....	D9/447
D657,047 S	4/2012	Minskoff et al.		
D660,149 S *	5/2012	Grace	.....	B65D 47/06 D9/447
D673,325 S	12/2012	Martines		
D687,181 S	7/2013	Goch		
D688,415 S	8/2013	Kim		
D688,416 S	8/2013	Liu		
8,499,766 B1	8/2013	Newton		
D690,383 S	9/2013	Shelkh et al.		
D693,053 S	11/2013	Chen		
D694,468 S	11/2013	Chen		
D695,450 S	12/2013	Benassayag et al.		
D707,484 S	6/2014	Fee		
D720,094 S	12/2014	Alima		
D720,095 S	12/2014	Alima		
D720,496 S	12/2014	Alima		
D720,497 S	12/2014	Alima		
D720,881 S	1/2015	Liu		
D720,882 S	1/2015	Albanese		
D720,883 S	1/2015	Albanese		
D722,721 S *	2/2015	Ross	.....	D27/167
D722,956 S *	2/2015	Alima	.....	D13/103
D723,215 S	2/2015	Chen		
D723,216 S	2/2015	Chen		
D724,263 S	3/2015	Malhi		
D724,264 S	3/2015	Chambers		
D724,780 S	3/2015	Wu		
D725,310 S	3/2015	Eksouzian		
D728,155 S	4/2015	Liu		
D729,441 S	5/2015	Hua		
D730,571 S	5/2015	Chen		
D732,239 S	6/2015	Chen		
D740,488 S *	10/2015	Leidel	.....	D27/167
D748,852 S	2/2016	Wu		
D751,249 S	3/2016	Chen		
D751,395 S *	3/2016	Willows	.....	D9/447
D752,278 S	3/2016	Verleur et al.		
D752,281 S *	3/2016	Alima	.....	D27/167
D758,647 S	6/2016	Liu		
D758,650 S	6/2016	Wu		
D758,654 S	6/2016	Liu		
D759,297 S	6/2016	Liu		
D759,303 S	6/2016	Afridi		
D760,948 S	7/2016	Eksouzian		



D761,998 S	7/2016	Pinder	
D765,308 S *	8/2016	Liu	D27/101
9,402,422 B2	8/2016	Shenkal	
D768,331 S	10/2016	Chen	
D768,915 S	10/2016	Wright et al.	
D776,337 S	1/2017	Levin et al.	
D776,867 S *	1/2017	Rado	D27/162
D776,869 S	1/2017	Heidl	
D779,722 S	2/2017	Volodarsky	
D780,372 S	2/2017	Liu	
D788,362 S *	5/2017	Qiu	D27/101
D790,122 S	6/2017	Hawes et al.	
D792,022 S	7/2017	Li	
D796,112 S	8/2017	Lafferty et al.	
D799,114 S	10/2017	Li	
D799,747 S *	10/2017	Champion	D27/169
D805,246 S	12/2017	Fakhouri	
D805,248 S *	12/2017	Chen	D27/170
D806,942 S	1/2018	Qiu	
D808,072 S *	1/2018	Ren	D27/162
D809,190 S	1/2018	Schuler et al.	
D812,807 S	3/2018	Thuery	
D813,445 S *	3/2018	Scott	D27/101
D814,102 S	3/2018	Lehoux	
D814,103 S *	3/2018	Levinson	D27/101
D816,266 S	4/2018	Thuery	
D818,635 S	5/2018	Pinder et al.	
D819,262 S	5/2018	Lin et al.	
D819,880 S *	6/2018	Qiu	D27/101
D820,515 S *	6/2018	Nettenstrom	D27/167
2011/0290249 A1	12/2011	Schennum	
2013/0152954 A1	6/2013	Youn	
2013/0180533 A1 *	7/2013	Kim	A24F 47/008 131/273
2013/0192622 A1 *	8/2013	Tucker	H01C 17/00 131/329
2013/0199528 A1	8/2013	Goodman et al.	
2014/0123990 A1	5/2014	Timmermans	
2015/0034104 A1	2/2015	Zhou	
2015/0053215 A1 *	2/2015	Liu	A24F 47/008 131/329
2015/0090253 A1 *	4/2015	Farrow	A24F 47/008 128/200.14
2015/0114406 A1	4/2015	Newton	
2015/0122252 A1	5/2015	Frija	
2015/0150306 A1 *	6/2015	Chen	A24F 47/008 131/329
2015/0150307 A1	6/2015	Liu	
2015/0164141 A1	6/2015	Newton	
2015/0196055 A1	7/2015	Liu	
2015/0257449 A1	9/2015	Gabbay	
2015/0342258 A1	12/2015	Chen	
2016/0135502 A1 *	5/2016	Wang	A24F 47/008 131/329
2016/0213062 A1	7/2016	Doyle	
2016/0262455 A1	9/2016	Chen	
2016/0270446 A1	9/2016	Shenkal et al.	
2016/0309783 A1 *	10/2016	Hopps	A24F 47/008
2016/0331912 A1	11/2016	Trzeciecki	
2016/0353799 A1	12/2016	Otto	
2016/0353805 A1	12/2016	Hawes et al.	
2017/0006923 A1 *	1/2017	Li	B67D 99/00
2017/0027224 A1	2/2017	Volodarsky	
2017/0295845 A1	10/2017	Bajpai et al.	
2017/0354180 A1	12/2017	Fornarelli	
2018/0027885 A1 *	2/2018	Qiu	H05B 1/02
2018/0049469 A1	2/2018	Kaufman et al.	
2018/0098575 A1	4/2018	Liu	
2018/0116288 A1 *	5/2018	Hu	A24F 47/008
2018/0125118 A1	5/2018	Chen	
2018/0132533 A1 *	5/2018	Chen	A24F 47/008
2018/0132535 A1 *	5/2018	Reevell	A24F 47/008
2018/0140005 A1	5/2018	Lin et al.	
2018/0169355 A1 *	6/2018	Reevell	A61M 15/0036

## FOREIGN PATENT DOCUMENTS

CN	301386889 S	11/2010
CN	301797116 S	1/2012
CN	302562187 S	9/2013
CN	302754654 S	3/2014
CN	302754655 S	3/2014
CN	302876547 S	7/2014
CN	302901687 S	8/2014
CN	302919349 S	8/2014
CN	302973623 S	10/2014
CN	302984520 S	10/2014
CN	302996444 S	11/2014
CN	303014026 S	11/2014
CN	303076662 S	1/2015
CN	303103383 S	2/2015
CN	303146077 S	3/2015
CN	303311963 S	7/2015
CN	304147133 S	5/2017
EM	001025779-0002	11/2008
EM	002366328-0001	12/2013
EM	002523589-0004	2/2014
EM	002434068-0001	4/2014
EM	002461251-0001	5/2014
EM	002523589-0001	10/2014
EM	002523589-0003	10/2014
EM	002549253-0002	11/2014
JP	1574037 S	4/2017
JP	1588286	10/2017
KR	30-0790045	4/2015
KR	30-0804011	7/2015
KR	30-0813668	9/2015
KR	30-0822094	10/2015
KR	30-0838944	2/2016
WO	WODM081209	7/2013

## OTHER PUBLICATIONS

eGo AIO All in One E-cig Kit \_ Joyetech UK by joyetech. dated 2018. found online [Oct. 17, 2018] <https://www.joyetech.co.uk/e-cig-kits/ego-aio-e-cigarette-kit-and-e-liquid.html>.\*

Decision of Grant for Russian Patent Application No. 2017506334/49, dated Dec. 25, 2017, 4 pages.

Decision of Grant for Russian Patent Application No. 2017506336/49, dated Dec. 25, 2017, 4 pages.

Decision of Grant for Russian Patent Application No. 2017506339/49, dated Dec. 25, 2017, 4 pages.

Entry on Amazon posted on Jun. 7, 2017, retrieved Mar. 23, 2018, "eTank Pro Kit," entry on Amazon posted on Jun. 7, 2017, retrieved Mar. 23, 2018, [https://www.amazon.co.uk/Vype-VIP010-eTank-Pro-Kit/dp/B071JVL6C6/ref=sr\\_1\\_18\\_s\\_it?s=drugstore&ie=UTF8&qid=1521771175&sr=1-18&keywords=vype](https://www.amazon.co.uk/Vype-VIP010-eTank-Pro-Kit/dp/B071JVL6C6/ref=sr_1_18_s_it?s=drugstore&ie=UTF8&qid=1521771175&sr=1-18&keywords=vype), 4 pages.

Vype E-cigarette, Vype Etank Starter Kit, ecigclick, dated Jan. 8, 2016, found online (Feb. 8, 2017); <http://www.ecigclick.co.uk/best-january-e-cig-offers/>, 10 pages.

Japanese Application No. JP 2017-028836, First Office Action dated Apr. 3, 2018, 8 pages.

Japanese Application No. JP 2017-028837, First Office Action dated Apr. 3, 2018, 8 pages.

Japanese Application No. JP 2017-028838, First Office Action dated Apr. 3, 2018, 8 pages.

Examination Report for European Model Design Application No. 002771402-0001, dated Sep. 23, 2015, 2 pages.

Formality Examination Report, for Philippines Patent Application No. 3/2016/000249, dated Apr. 8, 2016, 1 page.

Formality Examination Report, for Philippines Patent Application No. 3/2016/000250 No. 3, dated Apr. 12, 2016, 1 page.

Notice of Issuance for Chinese Patent Application No. 201630069416.9, Jun. 1, 2016, 2 pages.

Notice of Issuance for Chinese Patent Application No. 201630069415.4, Jun. 1, 2016, 2 pages.

Notice of Allowance for Japanese Patent Application No. 2016-005376, Jun. 1, 2016, 2 pages.

Notice of Allowance for Japanese Patent Application No. 2016-005377, Jun. 1, 2016, 2 pages.

Registration for Australian Patent Application No. 201611354, dated Apr. 26, 2016, 4 pages.

Decision of Grant for Russian Patent Application No. 2016500856/49, dated Oct. 25, 2016, 3 pages.

Decision of Grant for Russian Patent Application No. 2016500857/49, dated Nov. 2, 2016, 4 pages.

Decision of Grant for Russian Patent Application No. 2016500858/49, dated Nov. 21, 2016, 4 pages.

Malaysian Office Action for Malaysian Application No. 16-00293-0303 dated May 11, 2016, 1 page.

Malaysian Office Action for Malaysian Application No. 16-00292-0203 dated May 11, 2016, 1 page.

Malaysian Office Action for Malaysian Application No. 16-00291-0103 dated May 11, 2016, 1 page.

Office Action for Mexican Patent Application No. MX/f/2016/000800, dated Sep. 6, 2016, 1 page.

Office Action for Russian Patent Application No. 2016500858/49, dated Apr. 21, 2016, 2 pages.

Application and Filing Receipt for Design U.S. Appl. No. 29/557,650, filed Mar. 10, 2016, inventor Thuery.

Application and Filing Receipt for Design U.S. Appl. No. 29/557,652, filed Mar. 10, 2016, inventor Thuery.

Application and File History for Design U.S. Appl. No. 29/557,655, filed Mar. 10, 2016, inventor Thuery.

Application and Filing Receipt for Design U.S. Appl. No. 29/536,564, filed Aug. 18, 2015, inventors Lafferty et al.

Application and Filing Receipt for Design U.S. Appl. No. 29/611,162, filed Jul. 19, 2017, inventors Lafferty et al.

Application and Filing Receipt for Design U.S. Appl. No. 29/630,850, filed Dec. 22, 2017, inventors Tidnam et al.

Application and Filing Receipt for Design U.S. Appl. No. 29/630,853, filed Dec. 22, 2017, inventors Tidnam et al.

Application and Filing Receipt for Design U.S. Appl. No. 29/630,854, filed Dec. 22, 2017, inventors Tidnam et al.

Application and Filing Receipt for Design U.S. Appl. No. 29/630,855, filed Dec. 22, 2017, inventors Tidnam et al.

Application and Filing Receipt for Design U.S. Appl. No. 29/630,857, filed Dec. 22, 2017, inventors Tidnam et al.

Application and Filing Receipt for Design U.S. Appl. No. 29/630,859, filed Dec. 22, 2017, inventors Tidnam et al.

Notice of Allowance for Japanese Patent Application No. 2017-028836, dated Jul. 3, 2018, 6 pages (partial translation).

Notice of Allowance for Japanese Patent Application No. 2017-028837, dated Jul. 3, 2018, 5 pages (partial translation).

Notice of Allowance for Japanese Patent Application No. 2017-028838, dated Jul. 3, 2018, 5 pages (partial translation).

PlayGraph Jan. 10, 2017, No. 1, vol. 53 p. 39 (JPO Design Division Publicly-Known Design No. HA29002404).

Global Sources of Gifts & Premiums, No. 1, vol. 9, p. 102 (JPO Design Division Publicly-Known Design No. HB27000813).

Global Sources Gifts & Premiums, No. 10, vol. 8, p. 62, Genius X1 (JPO Design Division Publicly-Known Design No. HB26005370).

New Gas Appliances for Deli Make Better Life Age Certification 20+(older), p. 2 (JPO Design Division Publicly-Known Design No. HC27003834).

Global Sources Gifts & Premiums, No. 10, vol. 9, p. 58 (JPO Design Division Publicly-Known Design No. HB27005629).

\* cited by examiner

*Primary Examiner* — Marissa J Cash  
(74) *Attorney, Agent, or Firm* — Patterson Thuente Pedersen, P.A.

(57) **CLAIM**

We claim the ornamental design for an electronic cigarette vaporizer mouthpiece, as shown.

#### DESCRIPTION

The patent or application file contains at least one drawing executed in color. Copies of this patent with color drawing(s) will be provided by the Patent and Trademark Office upon request and payment of the necessary fee.

FIG. 1 is a top perspective view of an electronic cigarette vaporizer mouthpiece according to an embodiment.

FIG. 2 is an exploded top perspective view of an electronic cigarette vaporizer mouthpiece according to FIG. 1.

FIG. 3 is an exploded front elevational view of the electronic cigarette vaporizer mouthpiece depicted in FIG. 2.

FIG. 4 is an exploded rear elevational view of the electronic cigarette vaporizer mouthpiece depicted in FIG. 2.

FIG. 5 is an exploded left side elevational view of the electronic cigarette vaporizer mouthpiece depicted in FIG. 2.

FIG. 6 is an exploded right side elevational view of the electronic cigarette vaporizer mouthpiece depicted in FIG. 2.

FIG. 7 is an exploded top plan view of the electronic cigarette vaporizer mouthpiece depicted in FIG. 2.

FIG. 8 is a top perspective view of an electronic cigarette vaporizer mouthpiece according to a second embodiment.

FIG. 9 is an exploded top perspective view of the electronic cigarette vaporizer mouthpiece according to FIG. 8.

FIG. 10 is an exploded front elevational view of the electronic cigarette vaporizer mouthpiece depicted in FIG. 9.

FIG. 11 is an exploded rear elevational view of the electronic cigarette vaporizer mouthpiece depicted in FIG. 9.

FIG. 12 is an exploded left side elevational view of the electronic cigarette vaporizer mouthpiece depicted in FIG. 9.

FIG. 13 is an exploded right side elevational view of the electronic cigarette vaporizer mouthpiece depicted in FIG. 9; and,

FIG. 14 is an exploded top plan view of the electronic cigarette vaporizer mouthpiece depicted in FIG. 9.

**1 Claim, 13 Drawing Sheets**  
**(7 of 13 Drawing Sheet(s) Filed in Color)**

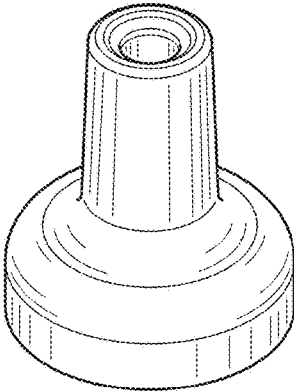


FIG. 1

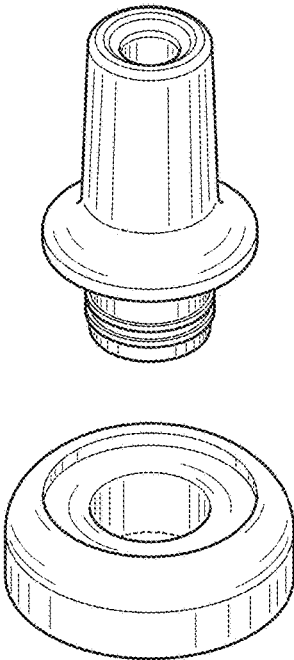


FIG. 2

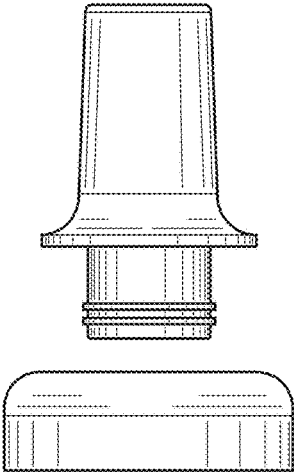


FIG. 3

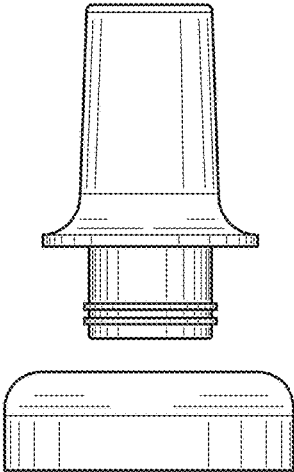


FIG. 4

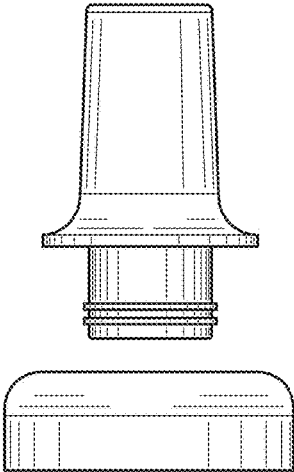


FIG. 5



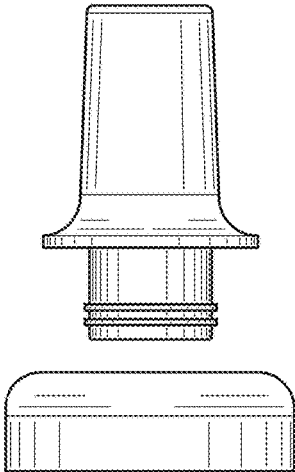


FIG. 6

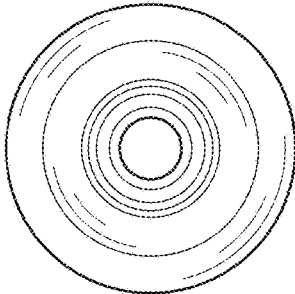


FIG. 7



FIG. 8

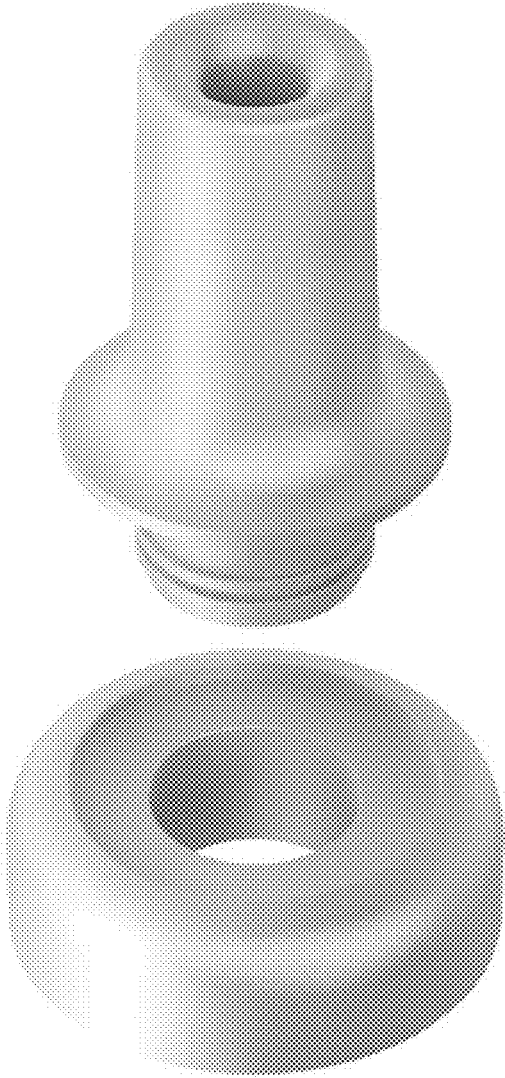


FIG. 9

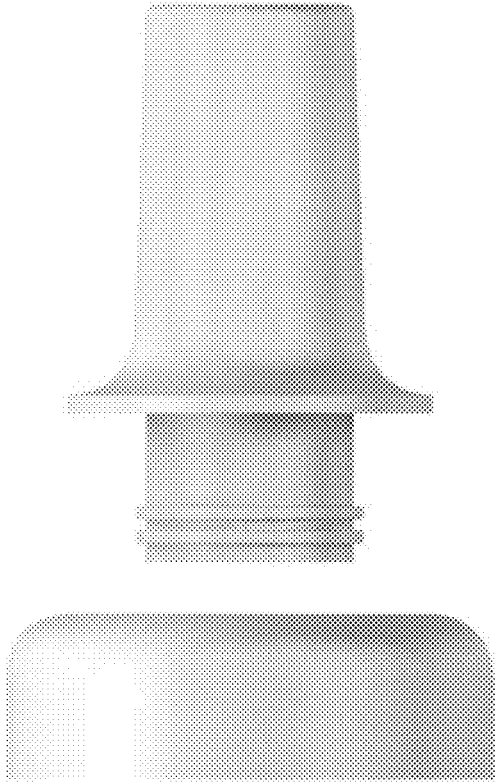


FIG. 10

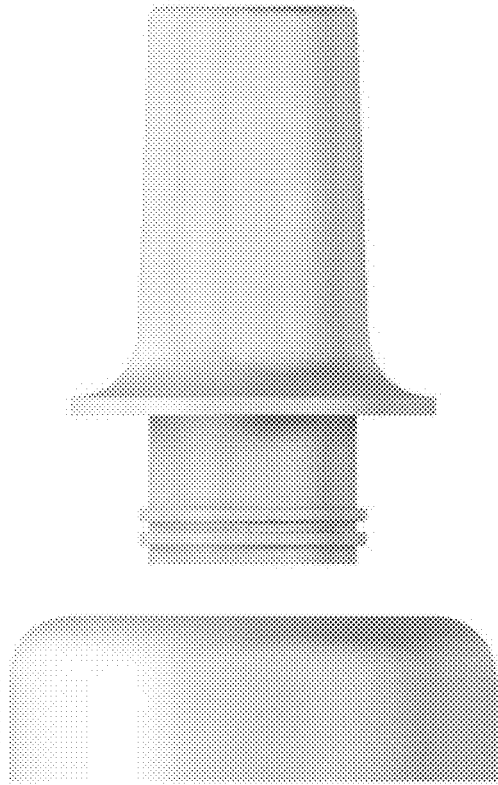


FIG. 11

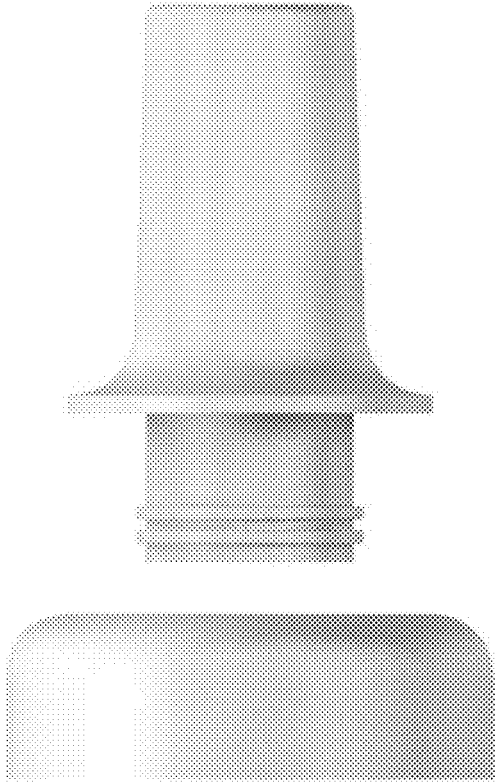


FIG. 12

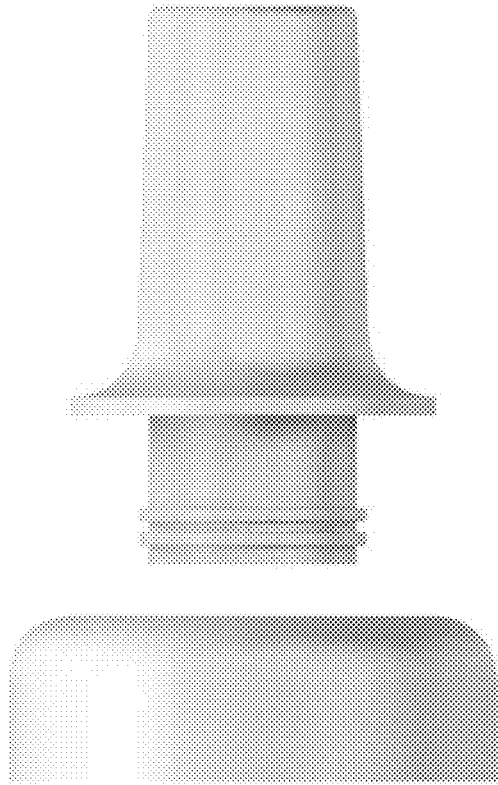


FIG. 13

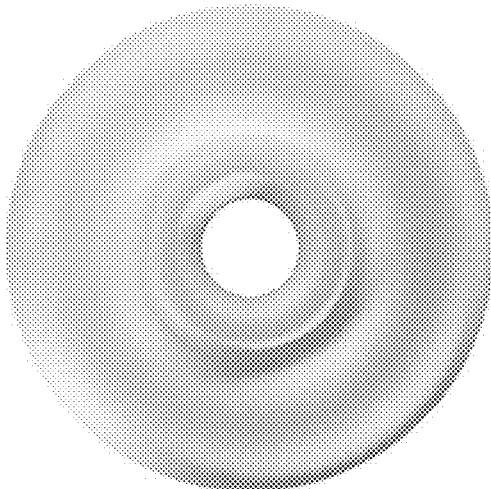


FIG. 14