



US00D509649S

(12) **United States Design Patent**
McClaskie

(10) **Patent No.:** **US D509,649 S**

(45) **Date of Patent:** **** Sep. 20, 2005**

(54) **OUTSOLE FOR A SHOE**

(75) **Inventor:** **Thomas E. McClaskie, Bethlehem, PA (US)**

(73) **Assignee:** **Columbia Insurance Company, Omaha, NE (US)**

(**) **Term:** **14 Years**

(21) **Appl. No.:** **29/203,249**

(22) **Filed:** **Apr. 12, 2004**

(51) **LOC (8) Cl. 02-04**

(52) **U.S. Cl. D2/957**

(58) **Field of Search** D2/908, 947, 951-954,
D2/956, 957, 959, 960, 962, 977; 36/3 B,
22 R, 24.5, 25 R, 28, 32 R, 67 A, 67 R,
59 C, 59 R

(56) **References Cited**

U.S. PATENT DOCUMENTS

D87,136 S	*	6/1932	Tebbutt	D2/954
D115,438 S	*	6/1939	Wirries	D2/952
D119,290 S	*	3/1940	Watanabe	D2/958
D147,413 S	*	9/1947	Knisely	D2/953
2,685,141 A	*	8/1954	Davenport	36/7.6
4,377,041 A	*	3/1983	Alchermes	36/30 R
D320,884 S	*	10/1991	Brue	D2/957
D465,079 S	*	11/2002	Merceron	D2/954

D470,999 S	*	3/2003	Schroeder et al.	D2/957
D494,748 S	*	8/2004	McClaskie	D2/953
D495,478 S	*	9/2004	McClaskie	D2/957

* cited by examiner

Primary Examiner—Celia A. Murphy

(74) *Attorney, Agent, or Firm*—St. Onge Steward Johnston & Reens LLC

(57) **CLAIM**

I claim the ornamental design for an outsole for a shoe, as shown and described.

DESCRIPTION

FIG. 1 is a bottom view of an outsole for a shoe showing my new design;

FIG. 2 is a left side view thereof;

FIG. 3 is a right side view thereof;

FIG. 4 is a front view thereof;

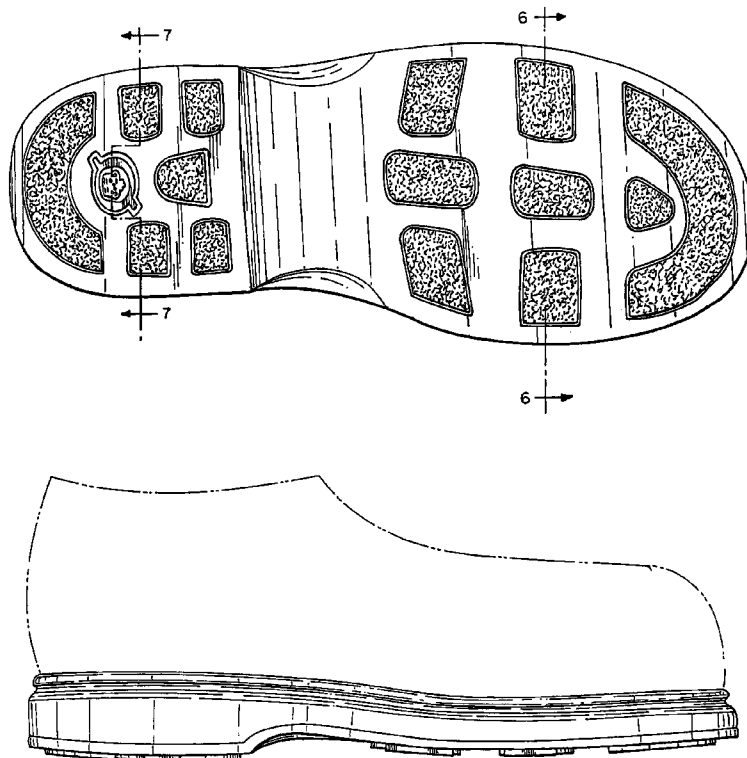
FIG. 5 is a rear view thereof

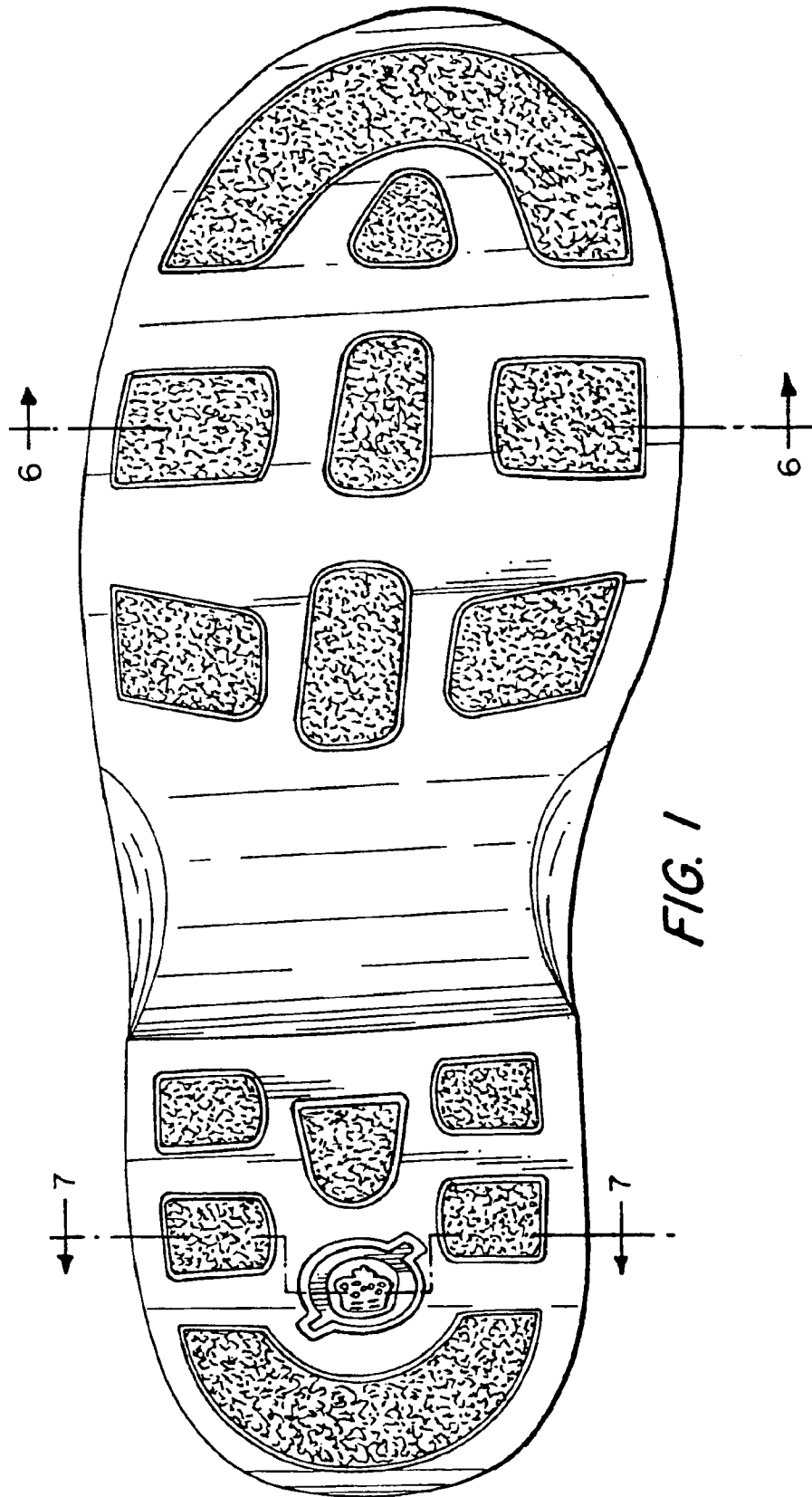
FIG. 6 is an enlarged cross sectional view taken on line 6—6 of FIG. 1; and,

FIG. 7 is an enlarged cross sectional view taken on line 7—7 of FIG. 1.

The broken line showing a shoe upper throughout the views, illustrates the portion of the design that forms no part of the claim.

1 Claim, 5 Drawing Sheets





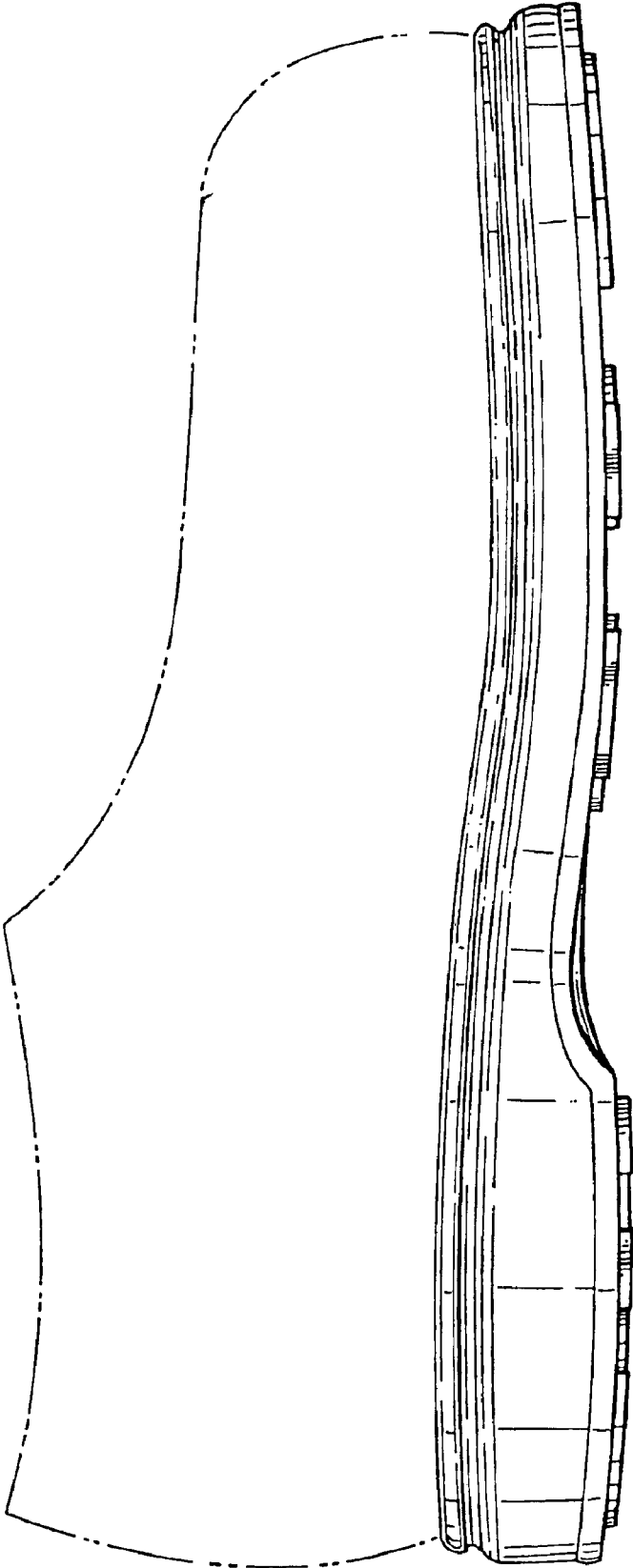


FIG. 2

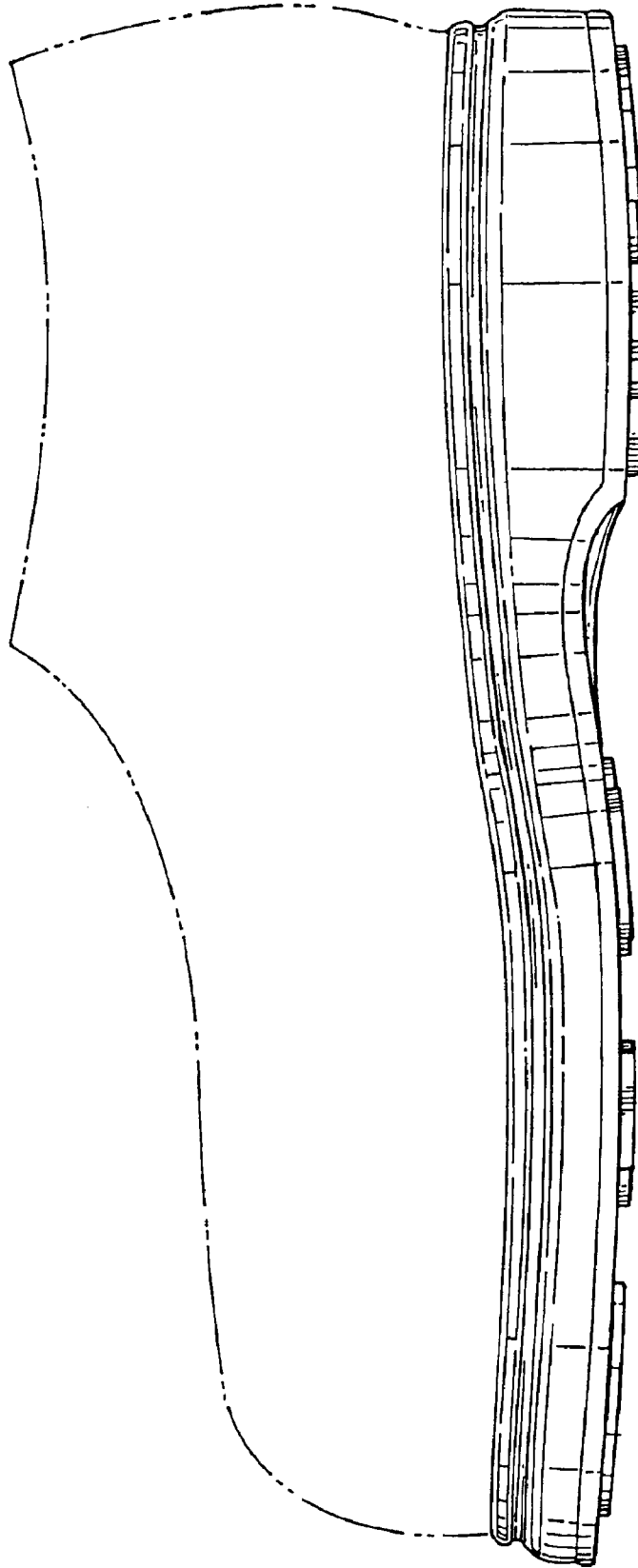


FIG. 3

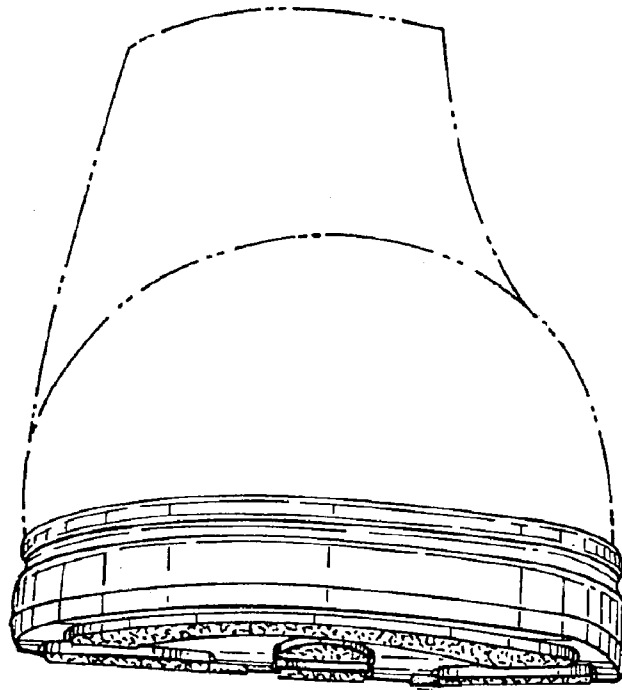


FIG. 4

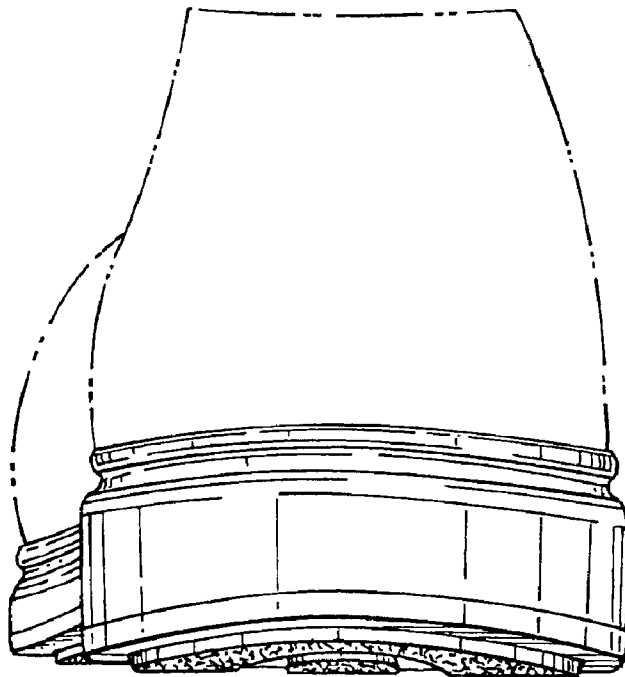


FIG. 5

