



US00D435852S

(12) **United States Design Patent**  
**Oddsén, Jr.**

(10) **Patent No.:** **US D435,852 S**

(45) **Date of Patent:** **\*\* Jan. 2, 2001**

(54) **EXTENSION ARM**

(75) **Inventor:** **Odd N. Oddsén, Jr.**, Easton, PA (US)

(73) **Assignee:** **Innovative Office Products, Inc.**,  
Easton, PA (US)

(\*\*) **Term:** **14 Years**

(21) **Appl. No.:** **29/113,309**

(22) **Filed:** **Nov. 1, 1999**

(51) **LOC (7) Cl.** ..... **14-02**

(52) **U.S. Cl.** ..... **D14/452**

(58) **Field of Search** ..... D14/448-52, 432;  
248/917-24, 670, 675-6, 274.1, 280.11,  
281.11, 284.1, 286.1, 231.71

(56) **References Cited**

**U.S. PATENT DOCUMENTS**

- D. 275,431 \* 9/1984 Usab .
- D. 317,687 \* 6/1991 Fabius et al. .
- D. 323,323 \* 1/1992 Kläebel .

D. 347,841 \* 6/1994 Rossman et al. .

D. 391,946 \* 3/1998 Rosen .

D. 396,874 \* 7/1998 Rosen .

\* cited by examiner

*Primary Examiner*—M. H. Tung

(74) *Attorney, Agent, or Firm*—Lerner, David, Littenberg,  
Krumholz & Mentlik, LLP

(57) **CLAIM**

The ornamental design for an extension arm, as shown and described.

**DESCRIPTION**

FIG. 1 is a perspective view of the extension arm;  
FIG. 2 is a right side view of the extension arm of FIG. 1;  
FIG. 3 is a front view of the extension arm of FIG. 1;  
FIG. 4 is a left side view of the extension arm off FIG. 1;  
FIG. 5 is a top view of the extension arm of FIG. 1;  
FIG. 6 is a bottom view of the extension arm of FIG. 1; and,  
FIG. 7 is a rear view of the extension arm of FIG. 1.

**1 Claim, 4 Drawing Sheets**

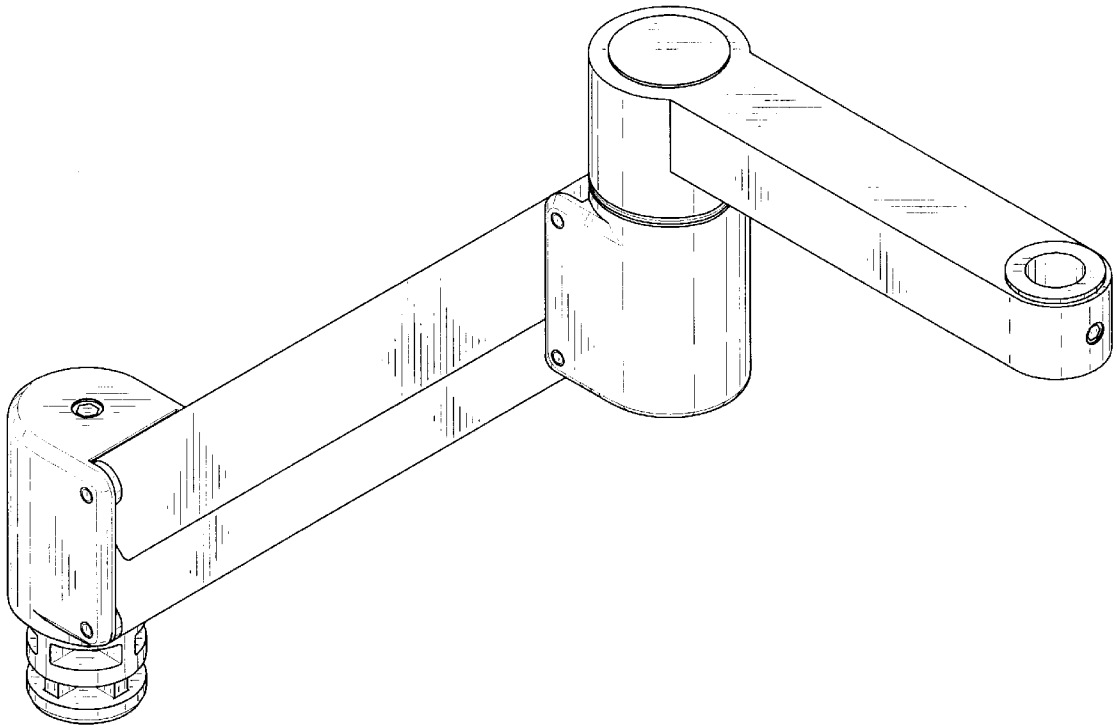


FIG. 2

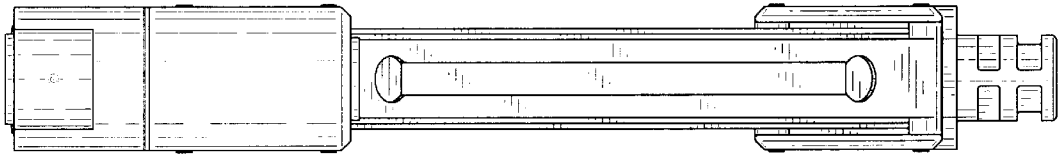


FIG. 1

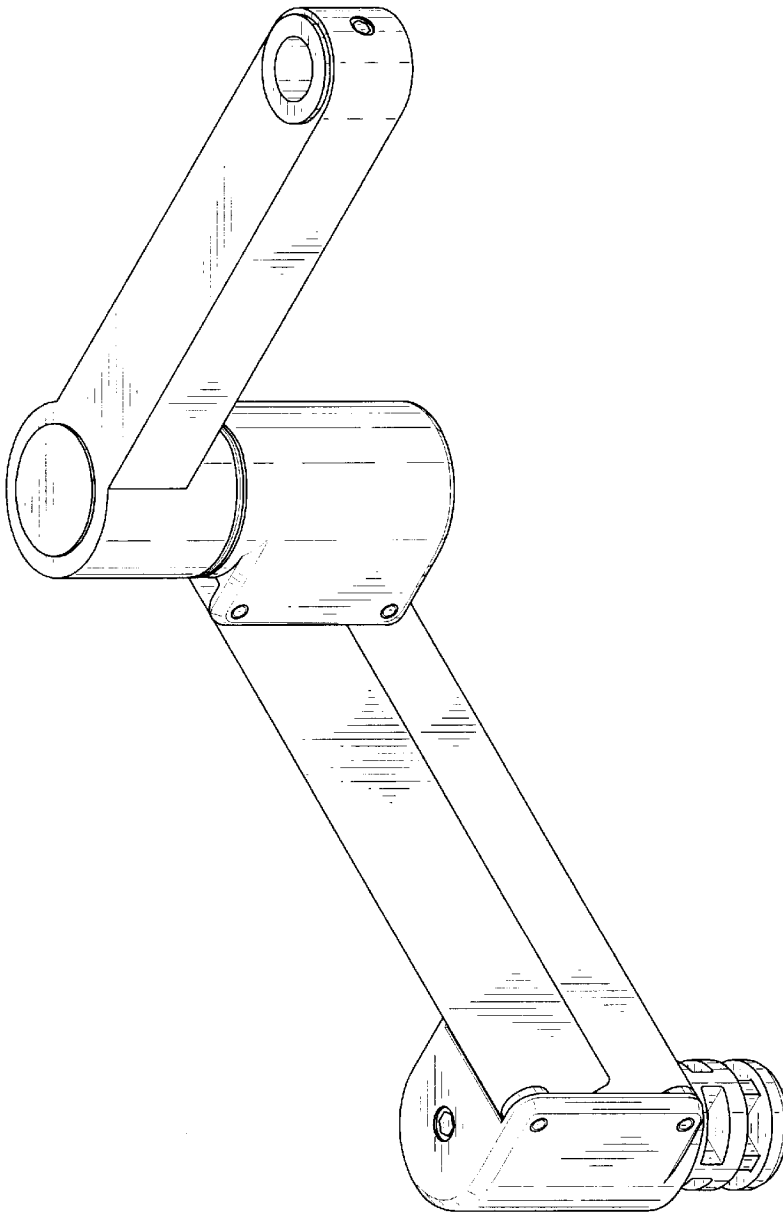


FIG. 4

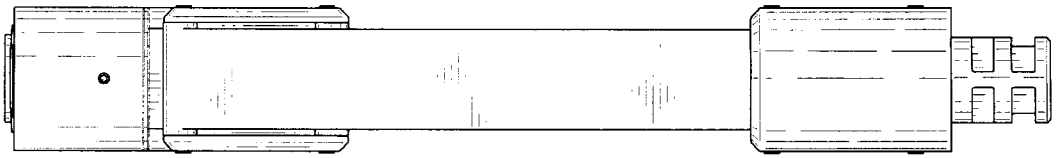


FIG. 3

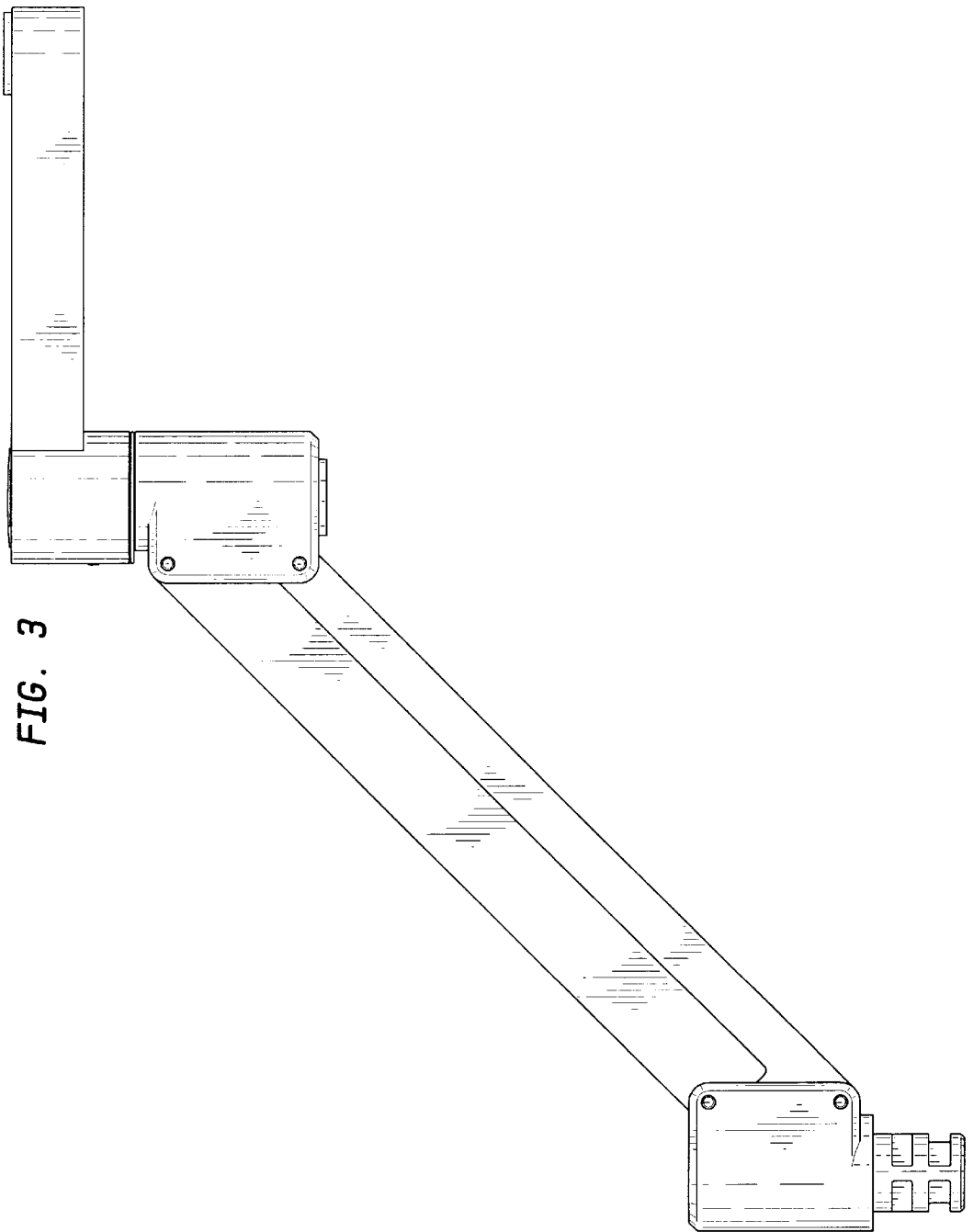


FIG. 5

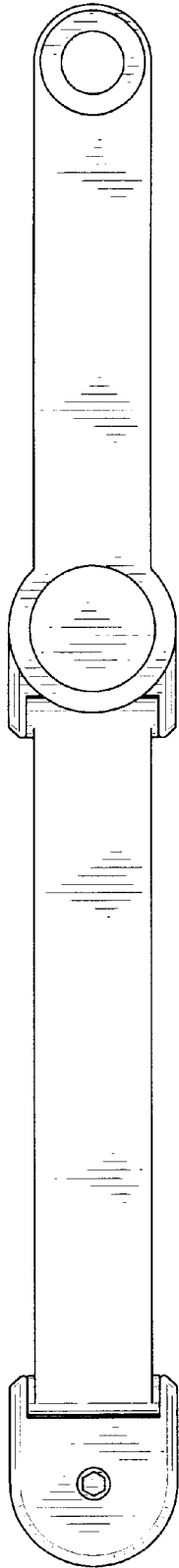


FIG. 6

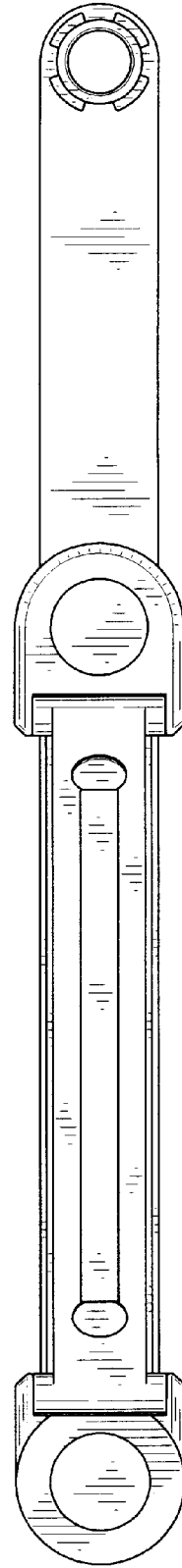


FIG. 7

