



US00D418881S

# United States Patent [19] Cousins

[11] Patent Number: **Des. 418,881**

[45] Date of Patent: **\*\* Jan. 11, 2000**

- [54] **SQUARE DUMBBELL**
- [75] Inventor: **Michael Cousins**, New York, N.Y.
- [73] Assignee: **E & B Giftware, Inc.**, Yonkers, N.Y.
- [\*\*] Term: **14 Years**
- [21] Appl. No.: **29/100,043**
- [22] Filed: **Feb. 2, 1999**
- [51] **LOC (7) Cl.** ..... **21-02**
- [52] **U.S. Cl.** ..... **D21/681**
- [58] **Field of Search** ..... D21/662, 680,  
D21/681, 682, 683, 684; 482/106, 107,  
108, 109, 50

814,570	3/1906	Stockdell	.....	482/108
1,630,467	5/1927	Bradstreet	.....	482/108
4,361,324	11/1982	Baroi	.....	482/108
4,538,806	9/1985	Wilkerson	.....	482/108

*Primary Examiner*—Philip S. Hyder  
*Attorney, Agent, or Firm*—Stanley J. Yavner

### [57] CLAIM

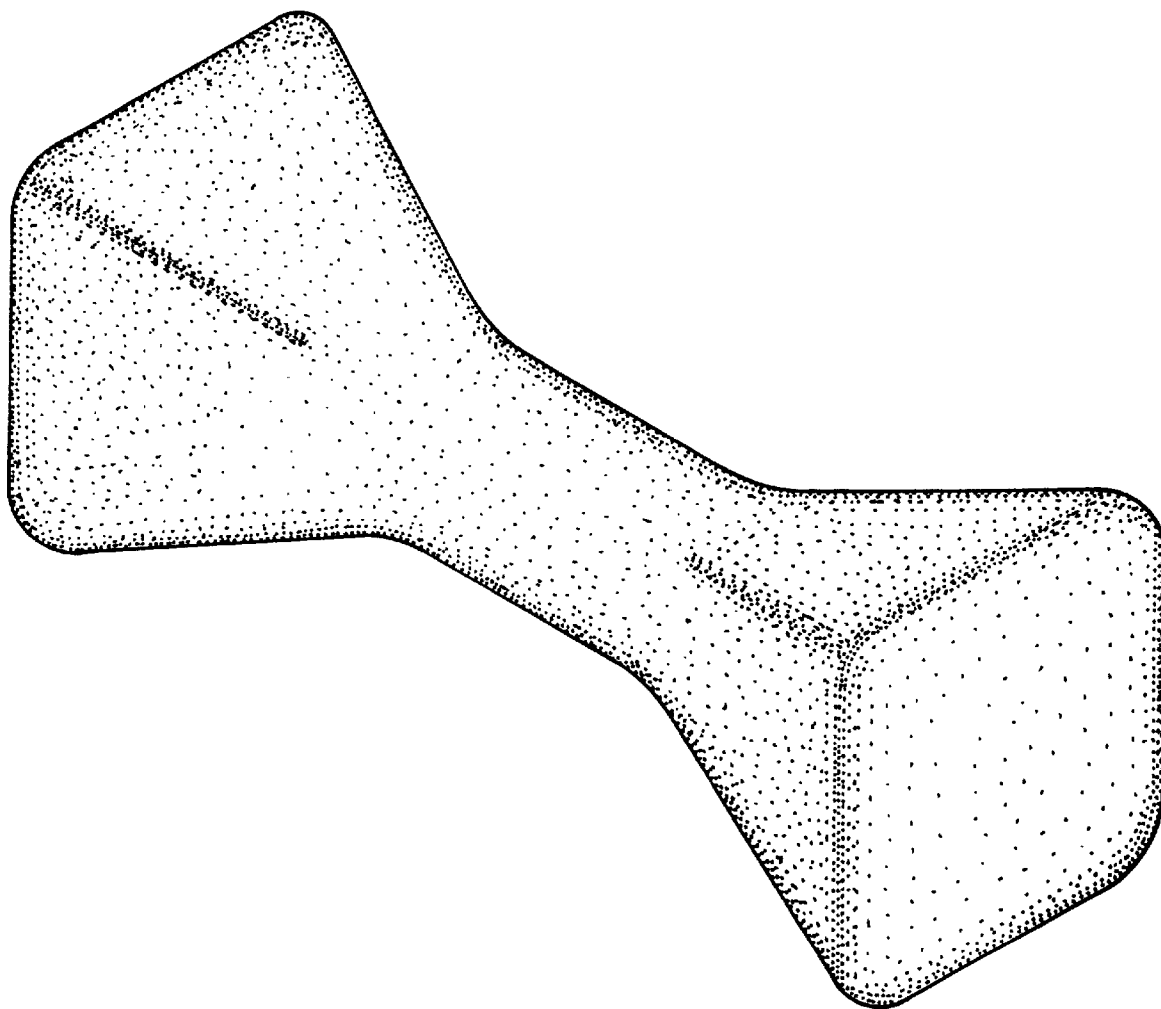
The ornamental design for a square dumbbell, as shown and described.

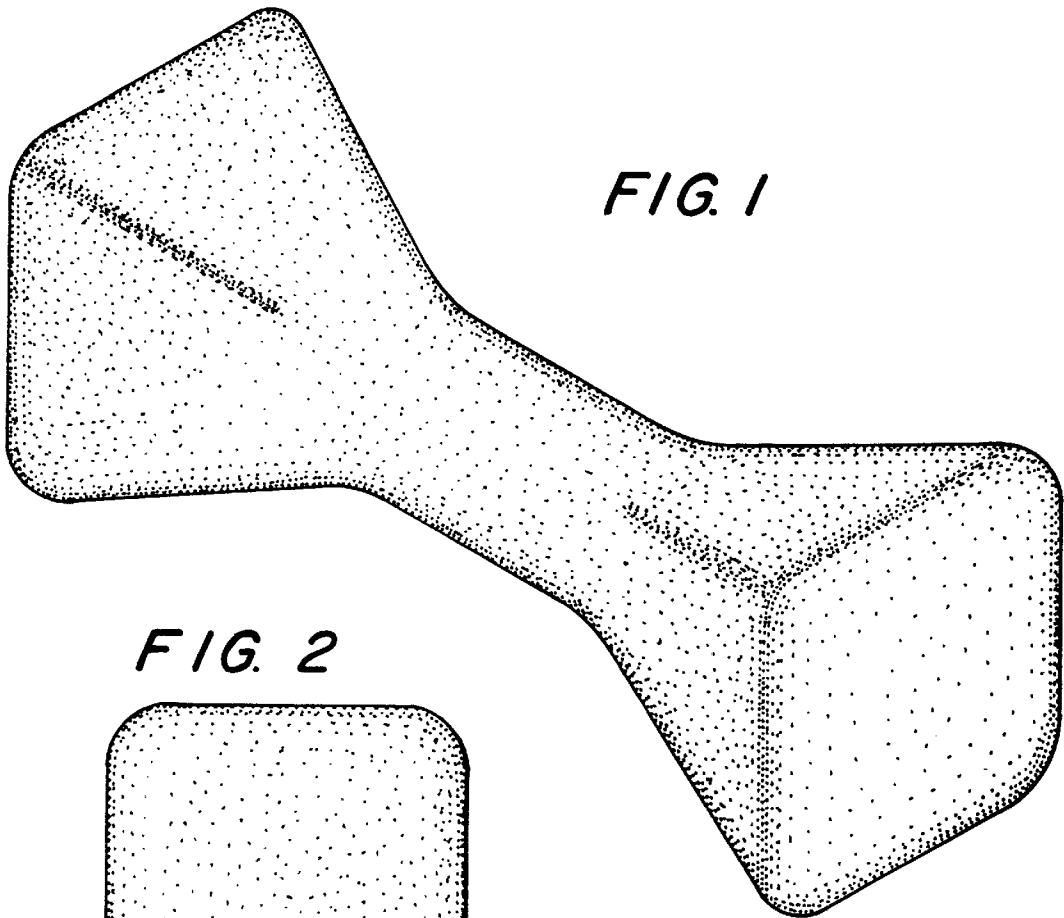
### DESCRIPTION

FIG. 1 is a front, top and right side isometric view, of a square dumbbell, showing my new design, the stippling on the surfaces is to show the surface character of the item, and forms a part of the claimed design;  
FIG. 2 is a left side elevational view thereof; and,  
FIG. 3 is a rear elevational view thereof, the bottom view being identical to the top as shown in FIG. 1.

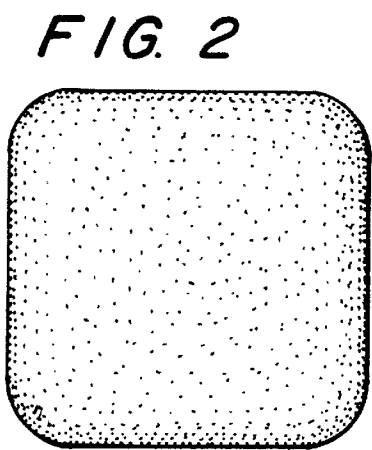
- [56] **References Cited**
- U.S. PATENT DOCUMENTS**
- D. 197,899 4/1964 Sutcliffe ..... D21/681
- D. 380,511 7/1997 Anthony, Jr. .... D21/681

**1 Claim, 1 Drawing Sheet**

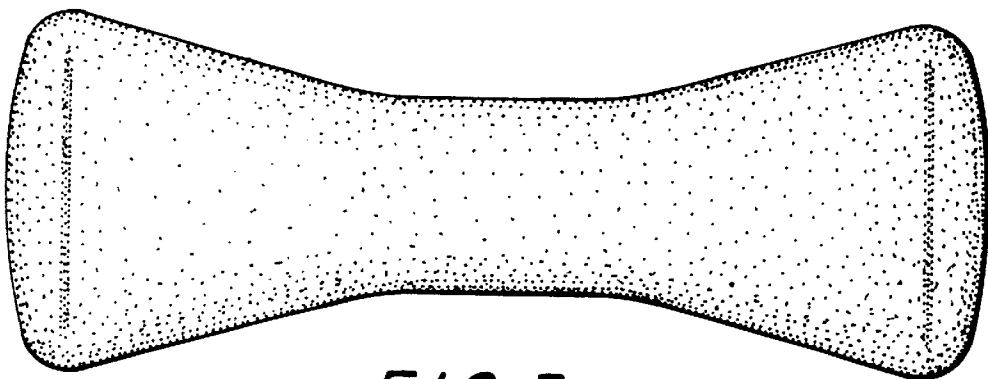




*FIG. 1*



*FIG. 2*



*FIG. 3*