

(12) INTERNATIONAL APPLICATION PUBLISHED UNDER THE PATENT COOPERATION TREATY (PCT)

(19) World Intellectual Property Organization  
International Bureau



(43) International Publication Date  
31 October 2002 (31.10.2002)

PCT

(10) International Publication Number  
WO 02/085183 A3

(51) International Patent Classification<sup>7</sup>: F16F 9/04

(21) International Application Number: PCT/US02/12201

(22) International Filing Date: 17 April 2002 (17.04.2002)

(25) Filing Language: English

(26) Publication Language: English

(30) Priority Data:  
60/285,446 19 April 2001 (19.04.2001) US

(71) Applicant (for all designated States except US): PROGRESSIVE SUSPENSION, INC. [US/US]; 11129 G Avenue, Hesperia, CA 92345 (US).

(72) Inventor; and

(75) Inventor/Applicant (for US only): HODGSON, Scott [US/US]; 14223 Sky View Lane, Apple Valley, CA 92307 (US).

(81) Designated States (national): AE, AG, AL, AM, AT, AU, AZ, BA, BB, BG, BR, BY, BZ, CA, CH, CN, CO, CR, CU, CZ, DE, DK, DM, DZ, EC, EE, ES, FI, GB, GD, GE, GH,

GM, HR, HU, ID, IL, IN, IS, JP, KE, KG, KP, KR, KZ, LC, LK, LR, LS, LT, LU, LV, MA, MD, MG, MK, MN, MW, MX, MZ, NO, NZ, OM, PH, PL, PT, RO, RU, SD, SE, SG, SI, SK, SL, TJ, TM, TN, TR, TT, TZ, UA, UG, US, UZ, VN, YU, ZA, ZM, ZW.

(84) Designated States (regional): ARIPO patent (GH, GM, KE, LS, MW, MZ, SD, SL, SZ, TZ, UG, ZM, ZW), Eurasian patent (AM, AZ, BY, KG, KZ, MD, RU, TJ, TM), European patent (AT, BE, CH, CY, DE, DK, ES, FI, FR, GB, GR, IE, IT, LU, MC, NL, PT, SE, TR), OAPI patent (BF, BJ, CF, CG, CI, CM, GA, GN, GQ, GW, ML, MR, NE, SN, TD, TG).

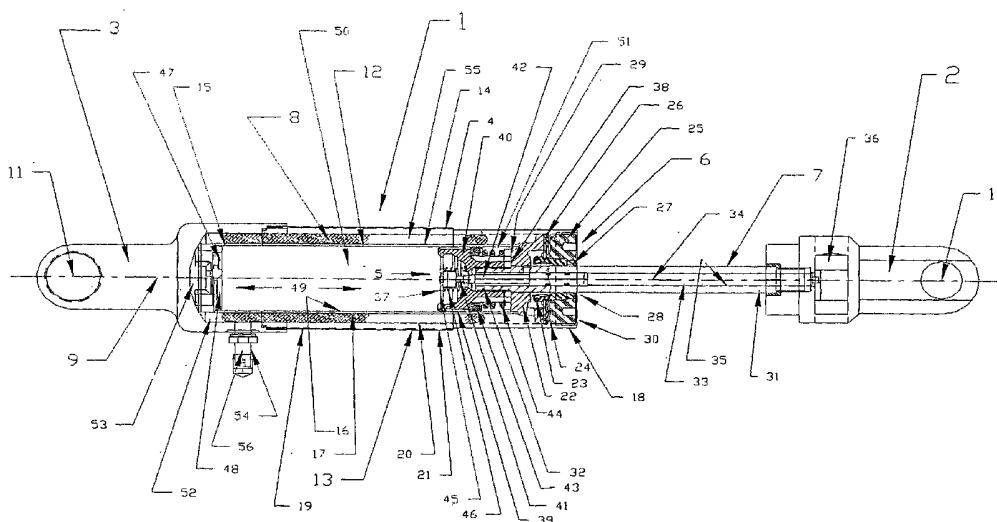
Published:

- with international search report
- before the expiration of the time limit for amending the claims and to be republished in the event of receipt of amendments

(88) Date of publication of the international search report:  
10 July 2003

For two-letter codes and other abbreviations, refer to the "Guidance Notes on Codes and Abbreviations" appearing at the beginning of each regular issue of the PCT Gazette.

(54) Title: BLADDER FOR USE IN A DAMPING DEVICE



(57) Abstract: The damping device contains a bladder (8) that can be constructed from one or more of the following materials: Urethane, neoprene, Viton, Nitrile, buna rubber, or silicon. The bladder (8) is constructed to minimize the distance between the interior surface and the exterior surface. The damping device contains a valve (54) that can be constructed from one of the following materials: steel, brass, aluminum, or composite. The valve (54) includes a stem (56) that has threads for attaching a nut and a flange (57) for attaching the valve to the interior surface of the bladder. The flange (57) is contoured to maintain the axial location of the bladder within the damping device. In operation, compressible fluid is introduced into the bladder (8) through the valve (54), with the valve (54) permitting the adjustment of the internal pressure of a fluid contained within the bladder (8).



WO 02/085183 A3

**INTERNATIONAL SEARCH REPORT**

International application No.

PCT/US02/12201

| <b>A. CLASSIFICATION OF SUBJECT MATTER</b>   |  |  |
|--|--|--|
| IPC(7) : F16F 9/04<br>US CL : 188/298  |  |  |
| According to International Patent Classification (IPC) or to both national classification and IPC  |  |  |
| <b>B. FIELDS SEARCHED</b>  |  |  |
| Minimum documentation searched (classification system followed by classification symbols)<br>U.S. : 188/298, 297, 314, 315   |  |  |
| Documentation searched other than minimum documentation to the extent that such documents are included in the fields searched  |  |  |
| Electronic data base consulted during the international search (name of data base and, where practicable, search terms used)   |  |  |
| <b>C. DOCUMENTS CONSIDERED TO BE RELEVANT</b>  |  |  |
| Category *   | Citation of document, with indication, where appropriate, of the relevant passages | Relevant to claim No.  |
| X<br>---   | US 2,571,279 A (MYKLESTAD) 16 OCTOBER 1951 (16.10.51), SEE FIGURE 1.               | 1, 14, 37, 47-48   |
| Y  |  | 2-13, 15-36, 38-46   |
| A, P   | US 6,345,707 A (KLEMB CZYK) 12 FEBRUARY 2002 (12.02.02).                           |  |
| A  | US 3,874,485 A (SMITH) 01 APRIL 1975 (01.04.75).                                   |  |
| A  | US 3,749,210 A (DeBAAN ET AL.) 31 JULY 1973 (31.07.73).                            |  |
| <input type="checkbox"/> Further documents are listed in the continuation of Box C. <input type="checkbox"/> See patent family annex.  |  |  |
| * Special categories of cited documents:<br>"A" document defining the general state of the art which is not considered to be of particular relevance<br>"E" earlier application or patent published on or after the international filing date<br>"L" document which may throw doubts on priority claim(s) or which is cited to establish the publication date of another citation or other special reason (as specified)<br>"O" document referring to an oral disclosure, use, exhibition or other means<br>"P" document published prior to the international filing date but later than the priority date claimed |  | "T" later document published after the international filing date or priority date and not in conflict with the application but cited to understand the principle or theory underlying the invention<br>"X" document of particular relevance; the claimed invention cannot be considered novel or cannot be considered to involve an inventive step when the document is taken alone<br>"Y" document of particular relevance; the claimed invention cannot be considered to involve an inventive step when the document is combined with one or more other such documents, such combination being obvious to a person skilled in the art<br>"&" document member of the same patent family |
| Date of the actual completion of the international search<br>19 September 2002 (19.09.2002)  |  | Date of mailing of the international search report<br>07 MAY 2003  |
| Name and mailing address of the ISA/US<br>Commissioner of Patents and Trademarks<br>Box PCT<br>Washington, D.C. 20231<br>Facsimile No. (703)305-3230   |  | Authorized officer<br>MATTHEW C. GRAHAM<br>Telephone No. (703)308-1113   |

# INTERNATIONAL SEARCH REPORT

International application No.

PCT/US02/12201

## Box I Observations where certain claims were found unsearchable (Continuation of Item 1 of first sheet)

This international report has not been established in respect of certain claims under Article 17(2)(a) for the following reasons:

1.  Claim Nos.:  
because they relate to subject matter not required to be searched by this Authority, namely:
  
2.  Claim Nos.:  
because they relate to parts of the international application that do not comply with the prescribed requirements to such an extent that no meaningful international search can be carried out, specifically:
  
3.  Claim Nos.:  
because they are dependent claims and are not drafted in accordance with the second and third sentences of Rule 6.4(a).

## Box II Observations where unity of invention is lacking (Continuation of Item 2 of first sheet)

This International Searching Authority found multiple inventions in this international application, as follows:

1.  As all required additional search fees were timely paid by the applicant, this international search report covers all searchable claims.
  2.  As all searchable claims could be searched without effort justifying an additional fee, this Authority did not invite payment of any additional fee.
  3.  As only some of the required additional search fees were timely paid by the applicant, this international search report covers only those claims for which fees were paid, specifically claims Nos.:
  
  4.  No required additional search fees were timely paid by the applicant. Consequently, this international search report is restricted to the invention first mentioned in the claims; it is covered by claims Nos.:
- Remark on Protest**
- The additional search fees were accompanied by the applicant's protest.
- No protest accompanied the payment of additional search fees.