



US00D350881S

# United States Patent [19]

[11] Patent Number: Des. 350,881

VanValkenburg et al.

[45] Date of Patent: \*\* Sep. 27, 1994

[54] LETTUCE CONTAINER

Primary Examiner—Terry A. Wallace  
Attorney, Agent, or Firm—Baker & McKenzie

[75] Inventors: Terry L. VanValkenburg, Elk River, Minn.; Bradley W. Andress, Hudson, Wis.; Gregg M. Davis; John W. Koenig, both of Columbus, Ohio

[57] CLAIM

The ornamental design for a lettuce container, as shown and described.

[73] Assignee: Plastics, Inc., St. Paul, Minn.

DESCRIPTION

[\*\*] Term: 14 Years

FIG. 1 is an exploded side elevational view of a lettuce container showing our new design, the opposite side being a mirror image;

[21] Appl. No.: 6,042

FIG. 2 is a top plan view thereof with the lid omitted for clarity of illustration;

[22] Filed: Mar. 22, 1993

FIG. 3 is a top plan view of the lettuce holder shown separately for clarity of illustration;

[52] U.S. Cl. .... D7/614-615,

FIG. 4 is a side elevational view thereof, the opposite side being a mirror image;

[58] Field of Search ..... D7/629

D7/354, 500, 538-549, 629; D9/424, 425;

206/216; 220/212, 253, 352, 353, 675

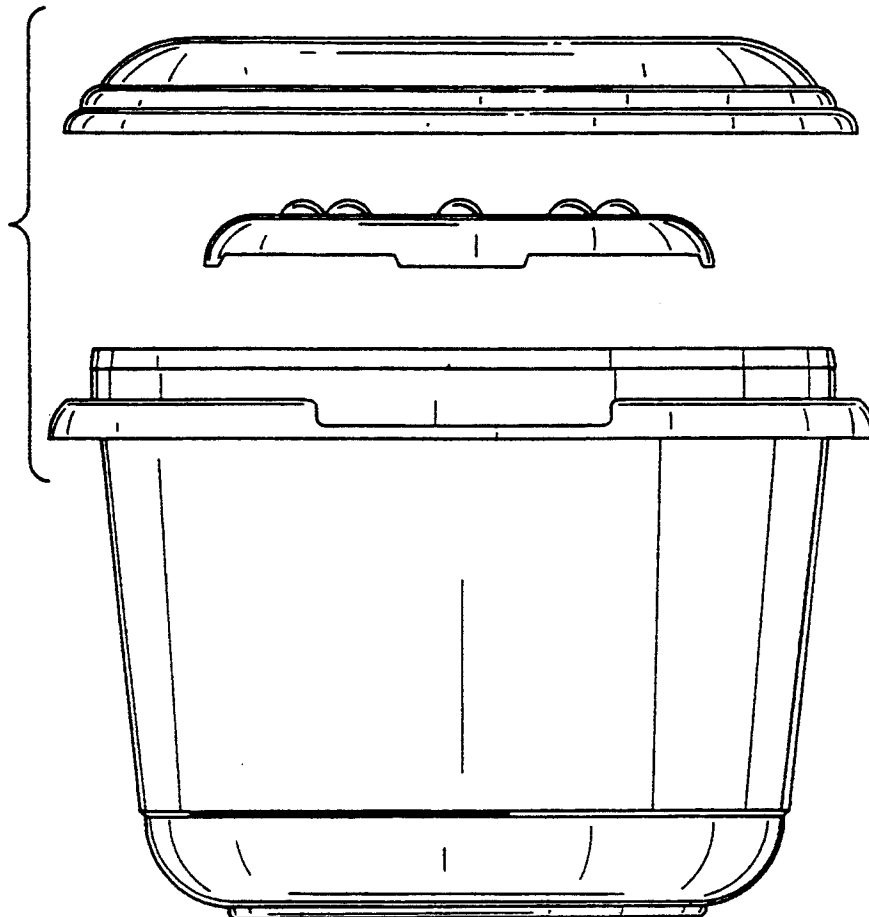
FIG. 5 is a front elevational view thereof, the opposite side being a mirror image;

[56] References Cited

U.S. PATENT DOCUMENTS

4,471,880 9/1984 Taylor et al. .... D7/629 X

FIG. 6 is a top plan view thereof; and,  
FIG. 7 is a bottom plan view thereof.



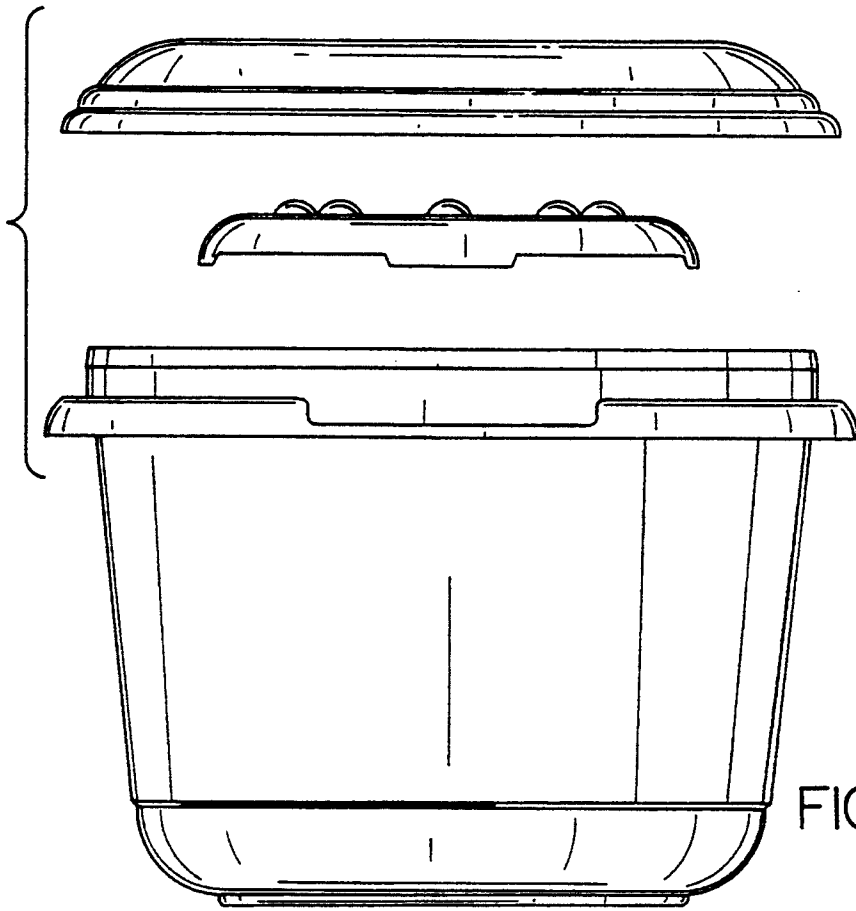


FIG. 1

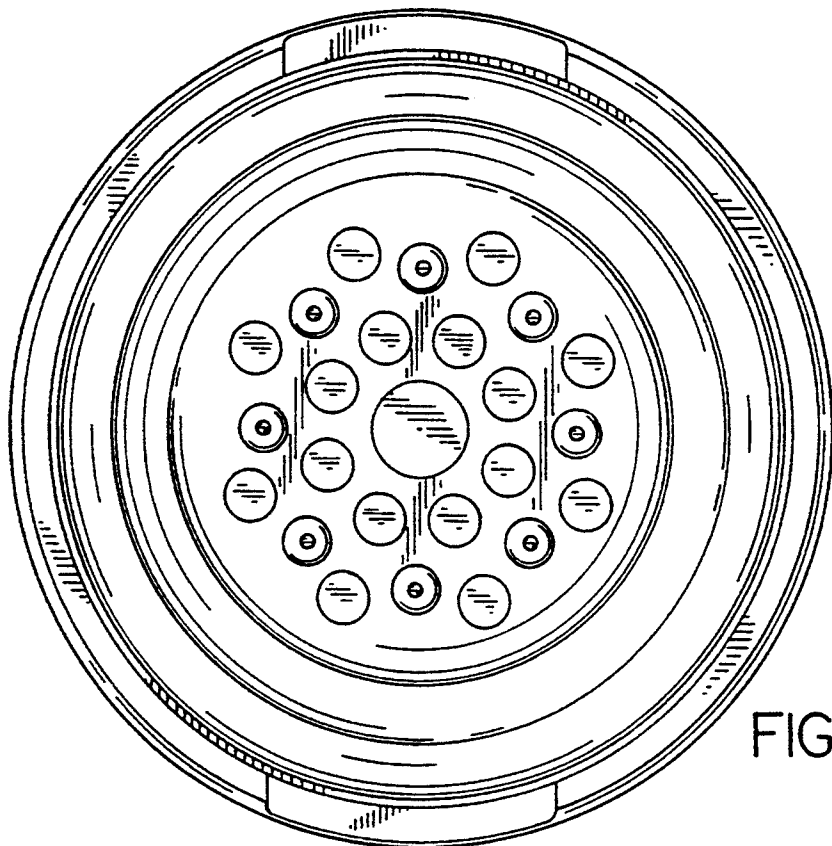


FIG. 2

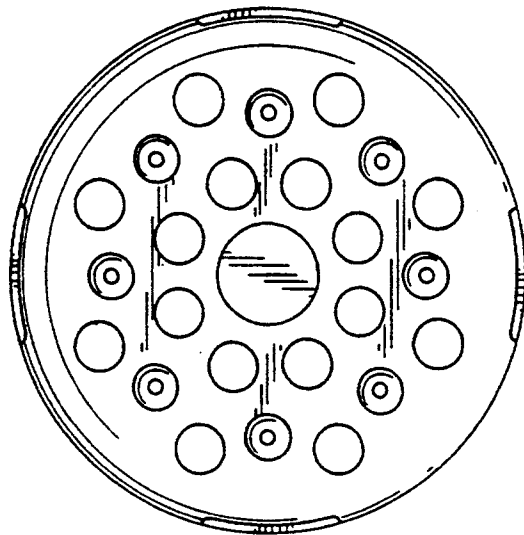


FIG. 3

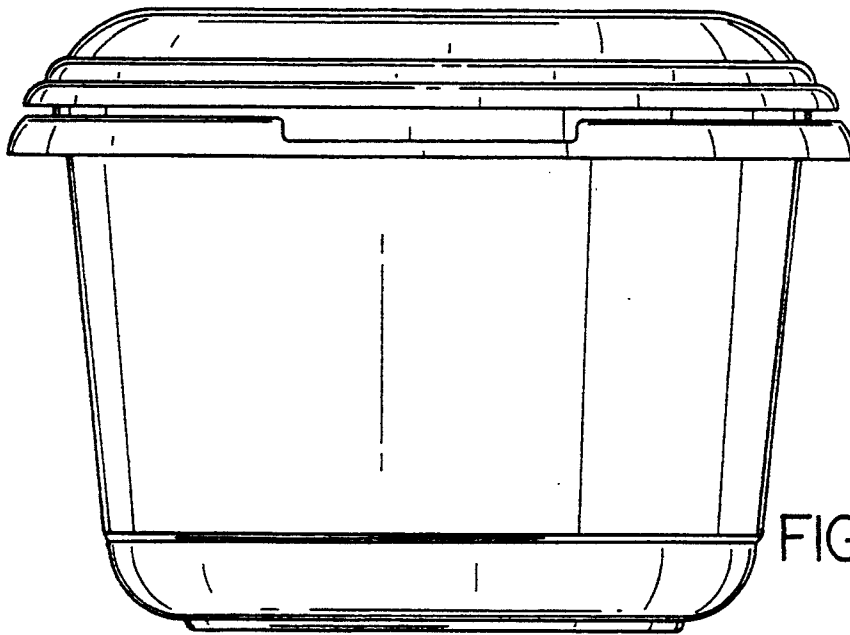


FIG. 4

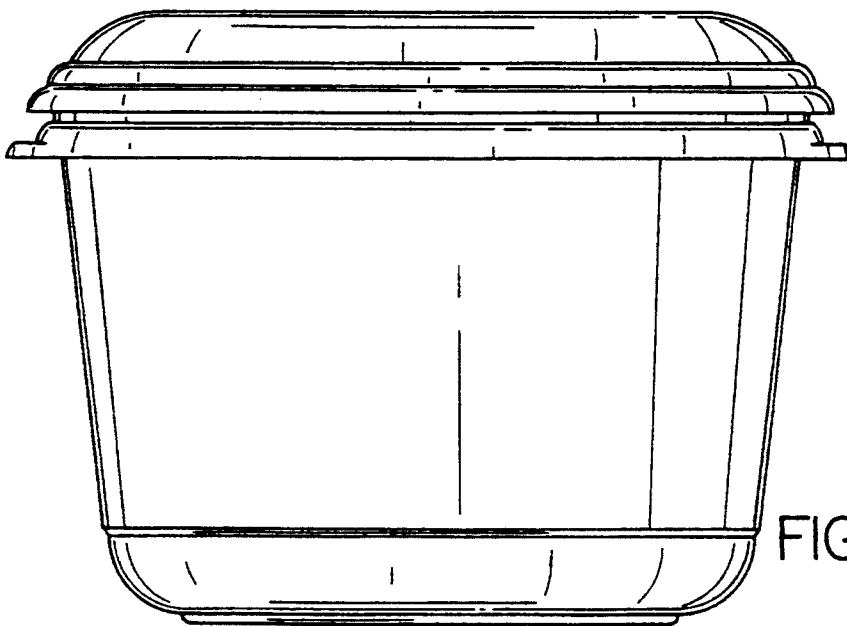


FIG. 5

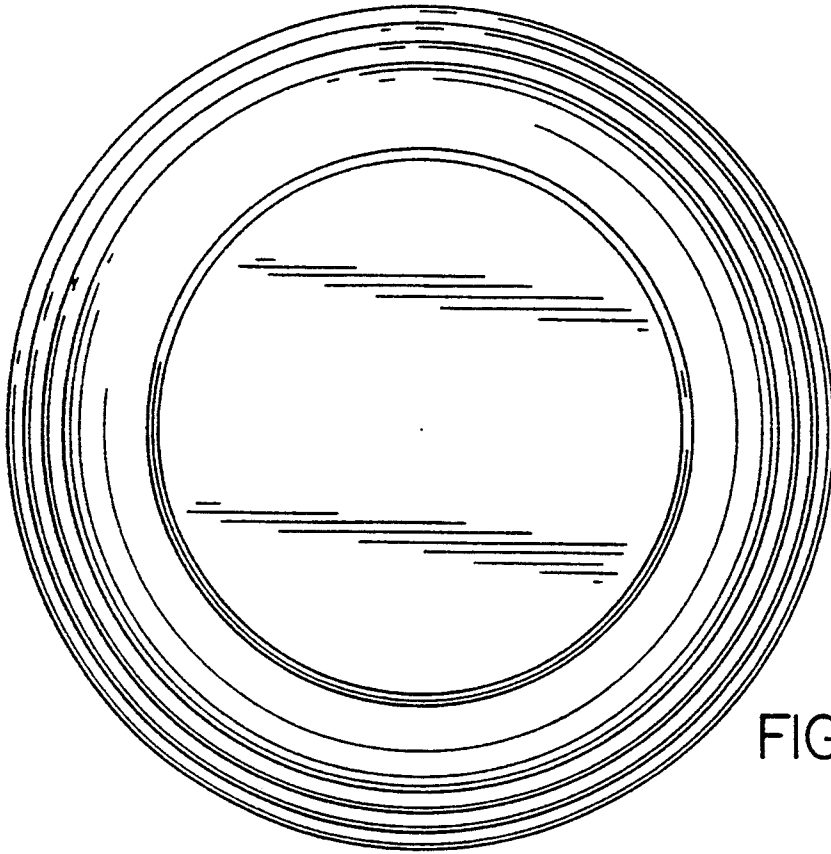


FIG. 6

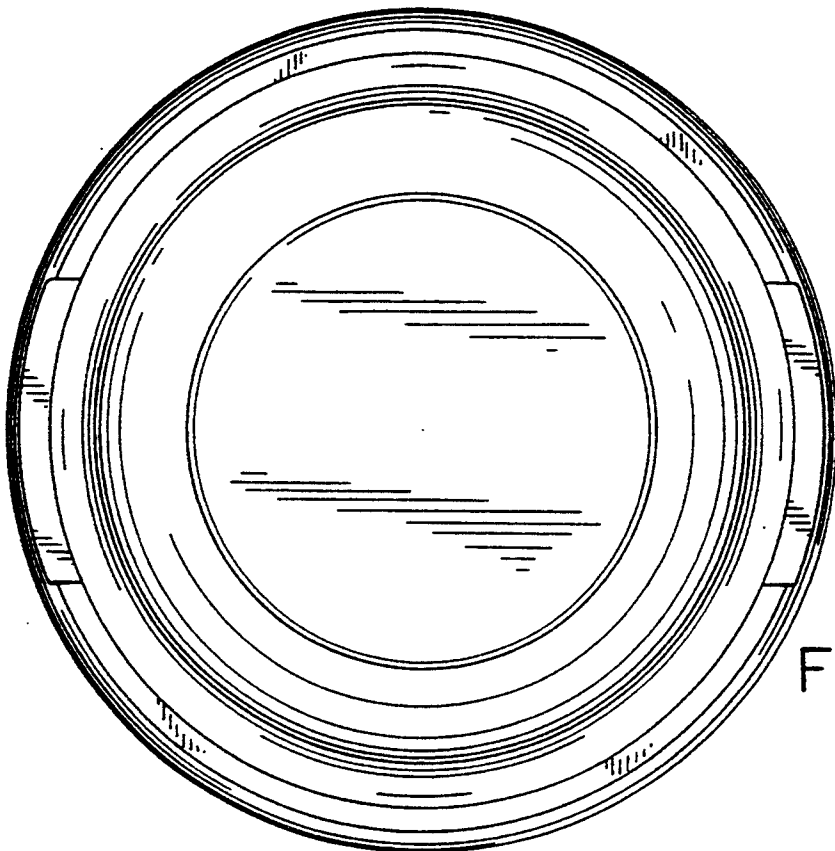


FIG. 7