



US00D964672S

(12) **United States Design Patent**  
**Mehra et al.**

(10) **Patent No.:** **US D964,672 S**  
(45) **Date of Patent:** **\*\* Sep. 20, 2022**

(54) **BLOWER**  
(71) Applicant: **HUSQVARNA AB**, Huskvarna (SE)  
(72) Inventors: **Rajinder Mehra**, Johanneshov (SE);  
**Elin Atlebond**, Stockholm (SE)  
(73) Assignee: **HUSQVARNA AB**, Huskvarna (SE)  
(\*\*) Term: **15 Years**  
(21) Appl. No.: **29/694,601**

D741,917 S \* 10/2015 Tinius ..... D15/15  
D742,603 S \* 11/2015 Tschopp ..... D32/15  
D747,050 S \* 1/2016 Martin ..... D32/15  
D750,333 S \* 2/2016 Kane ..... D32/25  
D751,685 S \* 3/2016 Wanezaki ..... D23/386  
D798,513 S \* 9/2017 Tinius ..... D32/15  
10,085,390 B2 \* 10/2018 Ishikawa ..... F02M 35/1017  
D834,271 S \* 11/2018 Naslund ..... D32/15  
D836,766 S \* 12/2018 He ..... D23/383  
D840,550 S \* 2/2019 Fogel ..... D24/232  
D868,229 S \* 11/2019 Chen ..... D23/332  
10,555,646 B2 \* 2/2020 Pickett ..... A45F 3/14

(Continued)

(22) Filed: **Jun. 12, 2019**  
(30) **Foreign Application Priority Data**  
Dec. 12, 2018 (EM) ..... 05887072-0003  
(51) **LOC (13) Cl.** ..... **15-05**  
(52) **U.S. Cl.**  
USPC ..... **D32/15**  
(58) **Field of Classification Search**  
USPC ..... D32/1, 14, 15-16, 19, 25, 35, 40-43;  
D8/62; D15/1  
CPC ... B08B 3/02; B24B 23/02; A47L 5/14; A47L  
9/00; A01G 1/12  
See application file for complete search history.

**FOREIGN PATENT DOCUMENTS**

EM 001833377-0002 \* 3/2011

**OTHER PUBLICATIONS**

Best backleafblowers of 2021, site visited Sep. 11, 2021, <https://www.bobvila.com/articles/best-backpack-leaf-blower/>.\*

*Primary Examiner* — John R Yeh  
(74) *Attorney, Agent, or Firm* — Burr & Forman LLP

(57) **CLAIM**

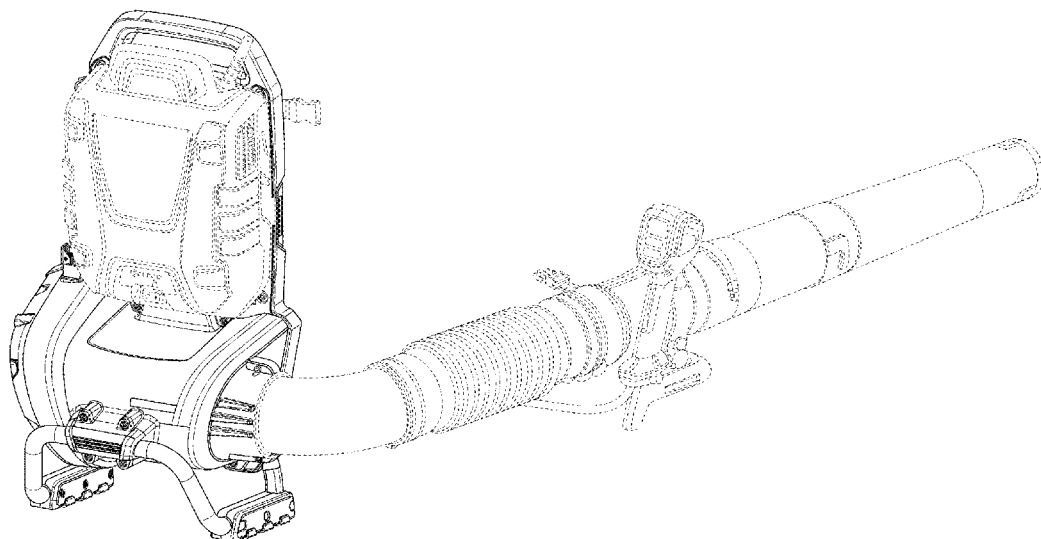
The ornamental design for a blower, as shown and described.

**DESCRIPTION**

FIG. 1 is a front, left side perspective view of our new design for a blower;  
FIG. 2 is a front elevation view thereof;  
FIG. 3 is a rear elevation view thereof;  
FIG. 4 is a top plan view thereof;  
FIG. 5 is a bottom plan view thereof;  
FIG. 6 is a left side elevation view thereof; and,  
FIG. 7 is a right side elevation view thereof.  
The broken lines in FIGS. 1-7 depict portions of the blower that form no part of the claimed design.

**1 Claim, 7 Drawing Sheets**

(56) **References Cited**  
**U.S. PATENT DOCUMENTS**  
5,813,088 A \* 9/1998 Wagner ..... F16M 13/04  
15/327.5  
D400,322 S \* 10/1998 Webster ..... D32/18  
D481,497 S \* 10/2003 Malmqvist ..... D3/216  
D481,839 S \* 11/2003 Almqvist ..... D32/15  
D591,916 S \* 5/2009 Kosugi ..... D32/15  
D599,464 S \* 9/2009 Noda ..... D23/383  
D602,956 S \* 10/2009 Herzer ..... D15/1  
D602,958 S \* 10/2009 Herzer ..... D15/1  
D604,917 S \* 11/2009 Tinius ..... D32/15  
D640,846 S \* 6/2011 Tinius ..... D32/15  
D696,823 S \* 12/2013 Crawley ..... D32/15  
D708,731 S \* 7/2014 Lei ..... D23/383



(56)

**References Cited**

U.S. PATENT DOCUMENTS

D882,191 S \* 4/2020 Baxter ..... D32/15  
2008/0307602 A1\* 12/2008 Andriolo ..... E01H 1/0809  
15/330  
2009/0212068 A1\* 8/2009 Rappin ..... B05B 7/2435  
222/1  
2015/0373921 A1\* 12/2015 DeSanti ..... A01G 20/47  
15/344  
2021/0205830 A1\* 7/2021 Jackson ..... F04B 53/16

\* cited by examiner

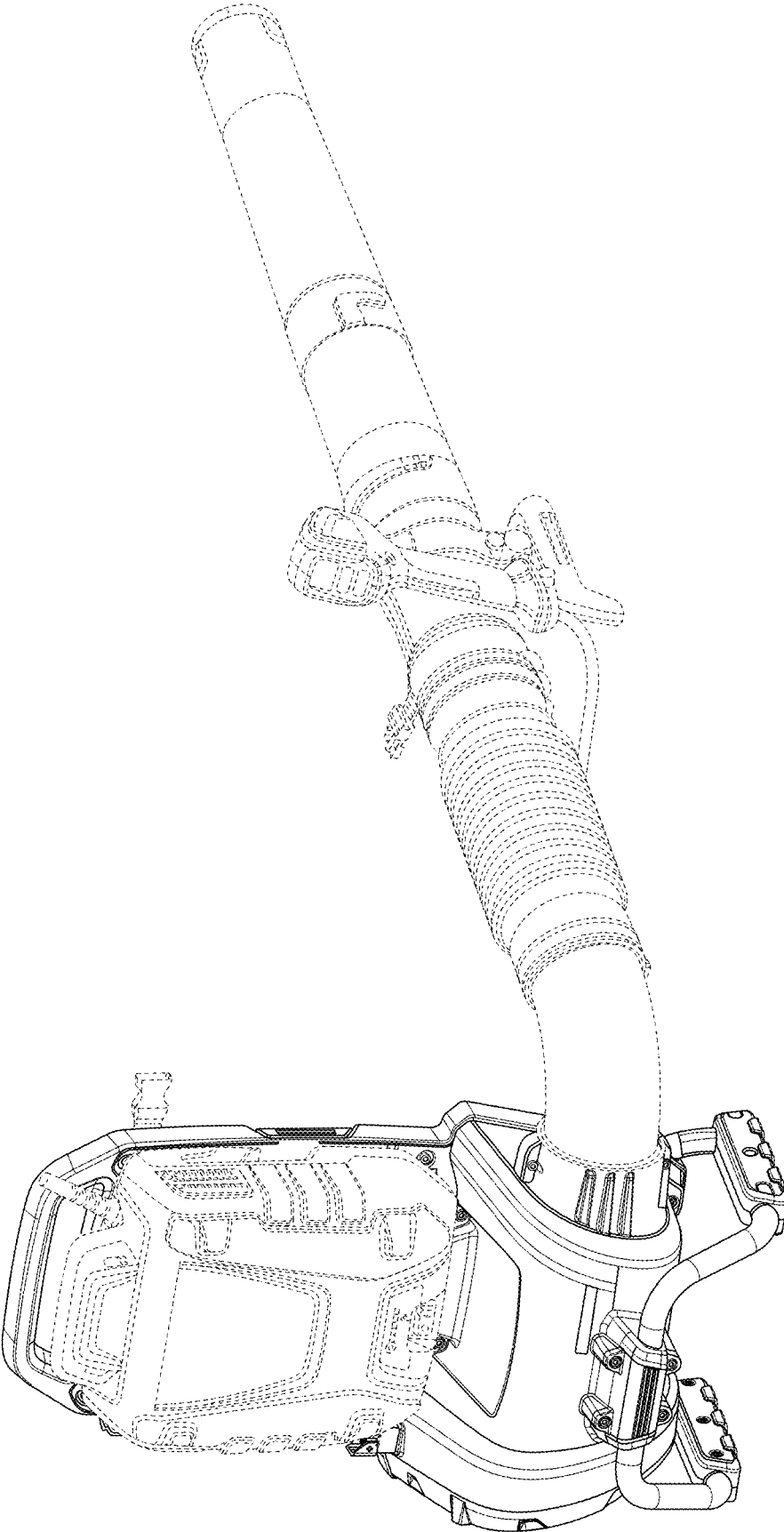


FIG. 1

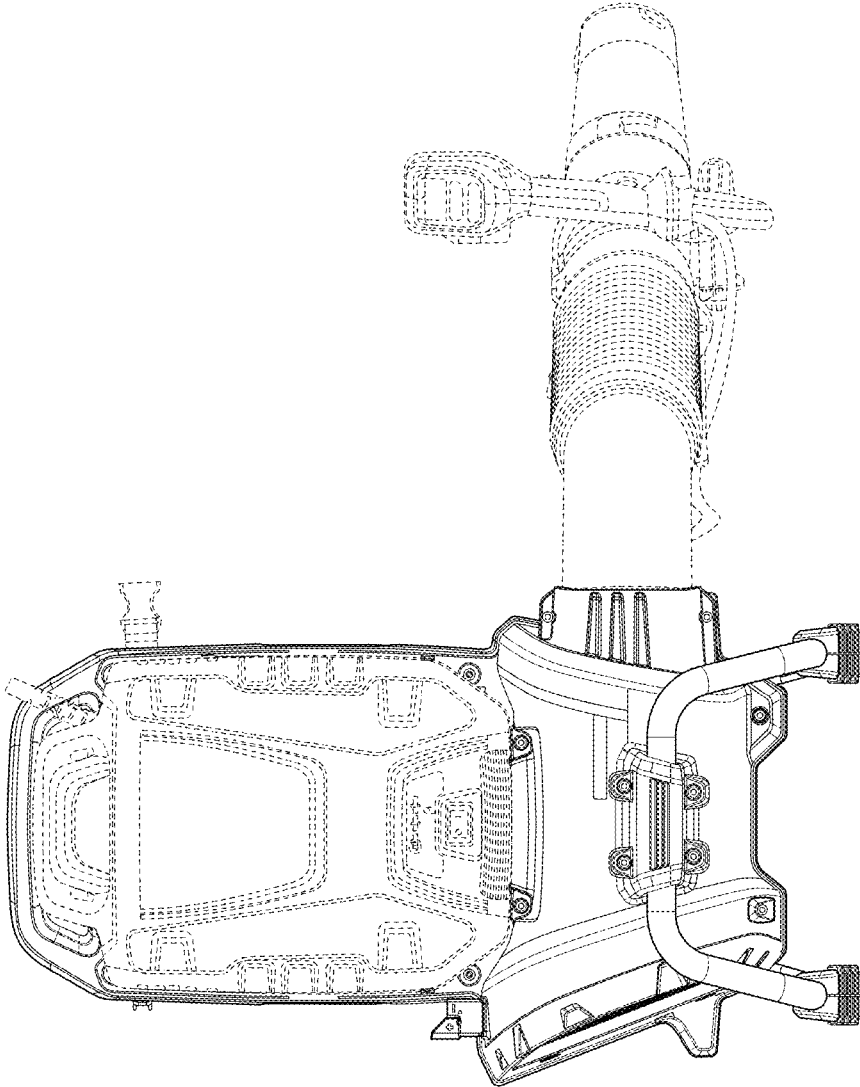


FIG. 2

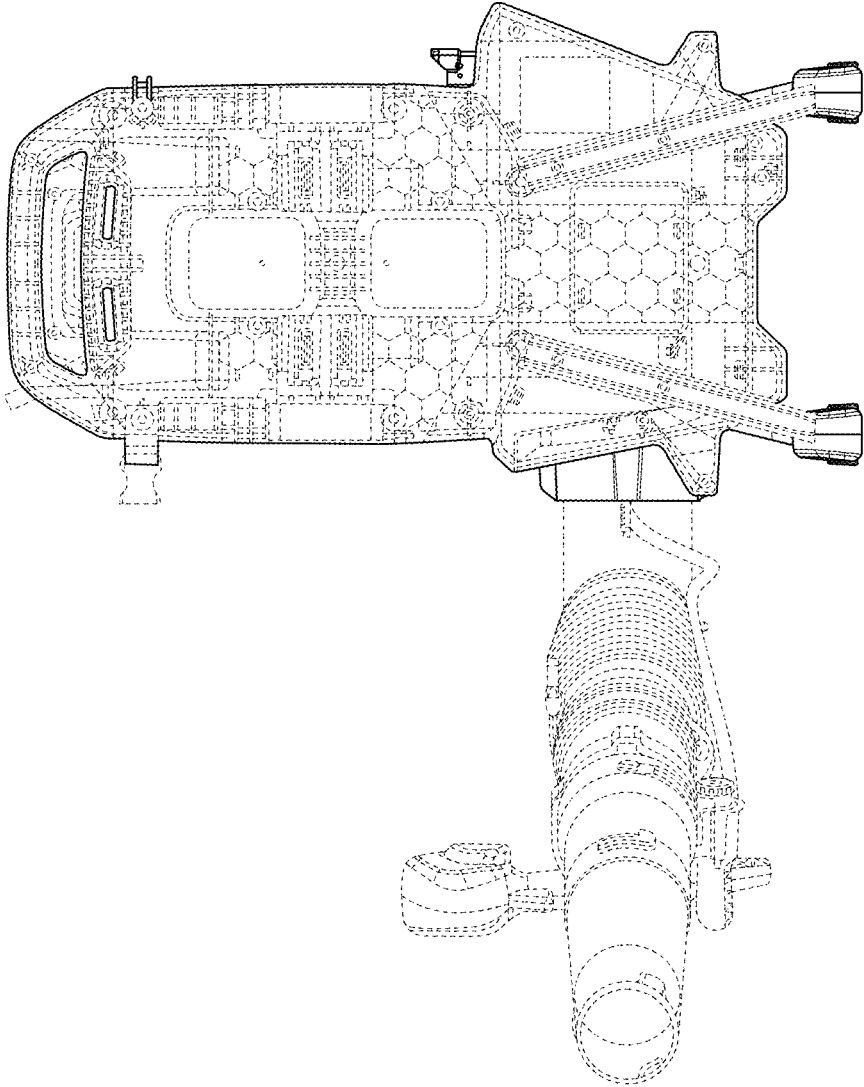


FIG. 3

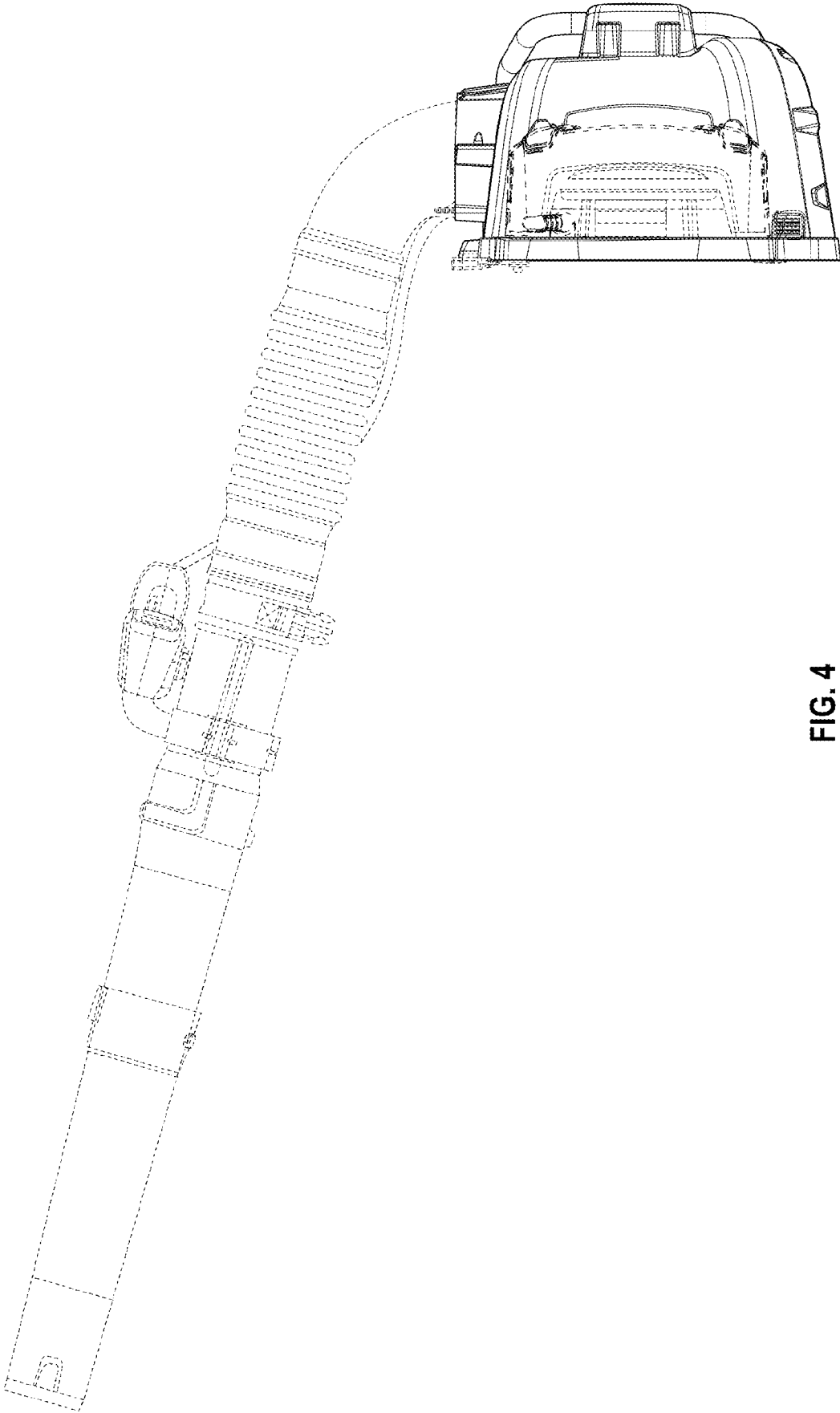


FIG. 4

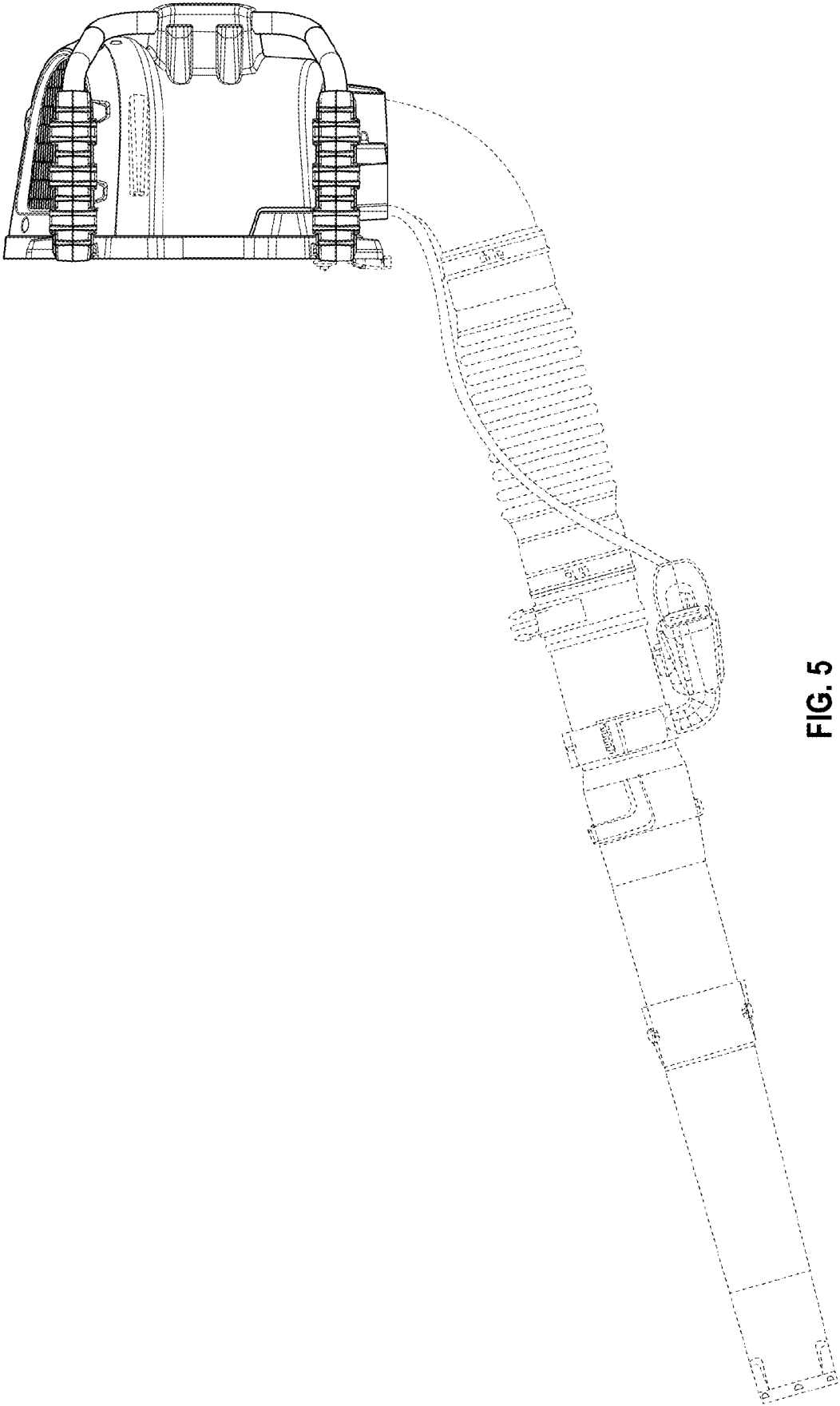


FIG. 5

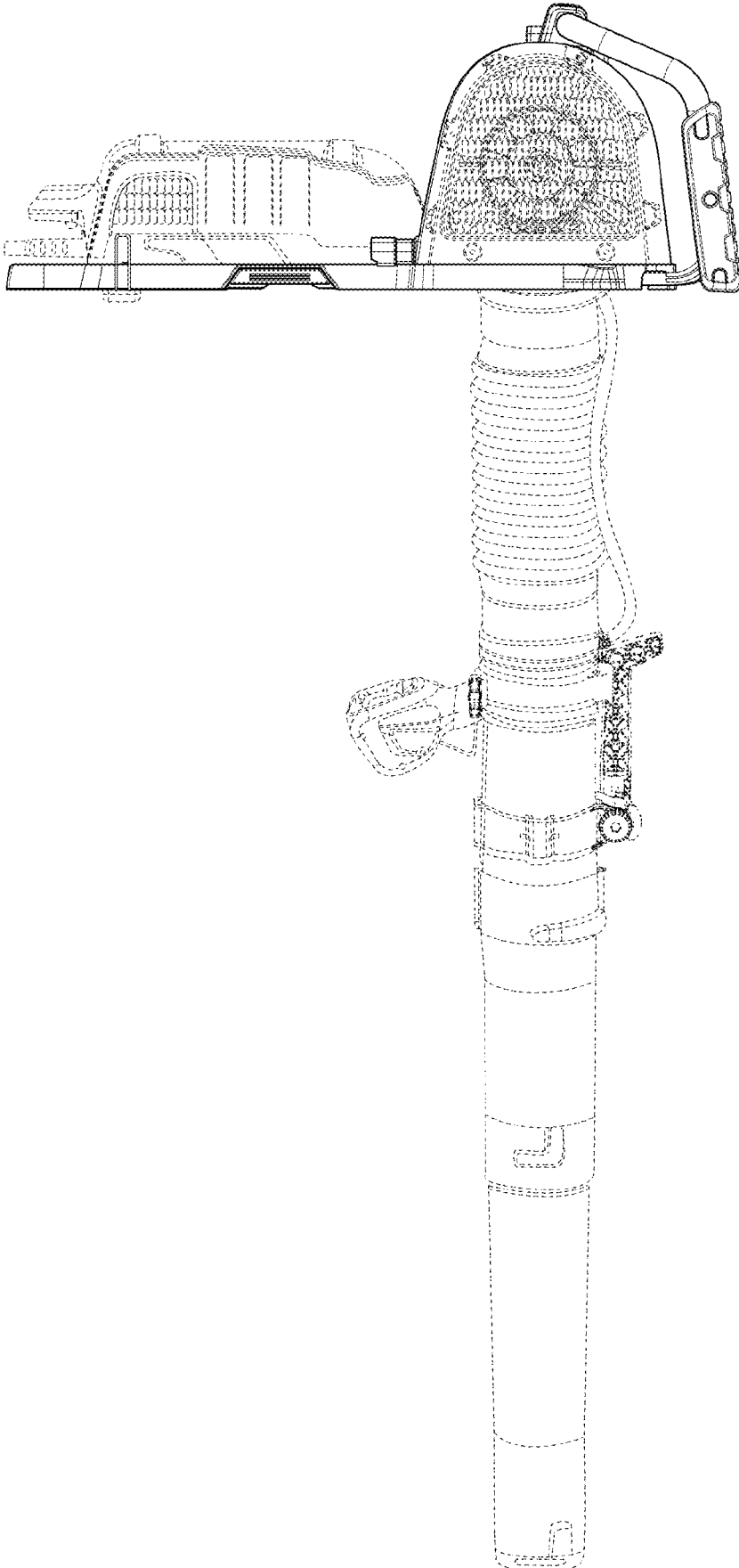


FIG. 6



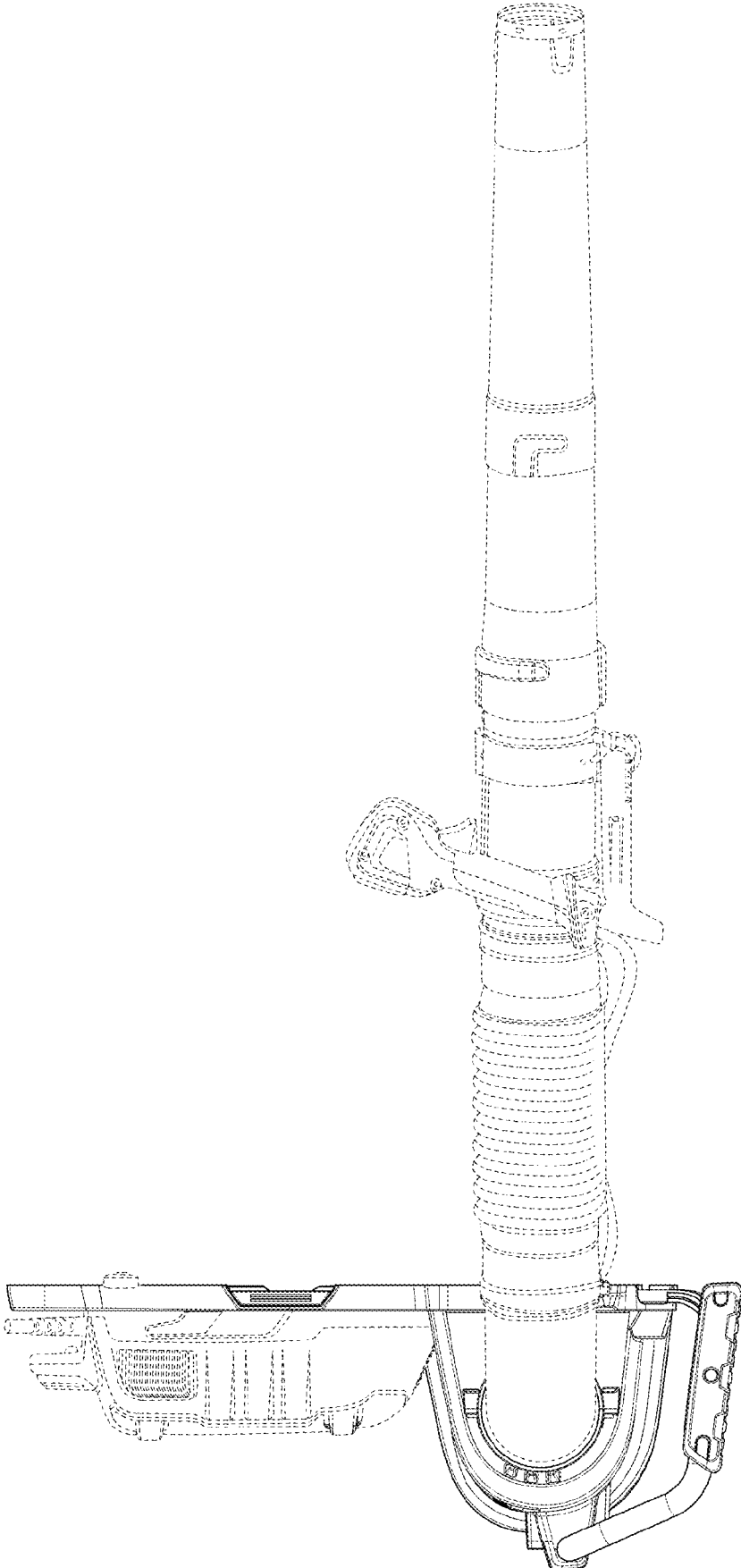


FIG. 7