



(12) **United States Design Patent**
Holzmann et al.

(10) **Patent No.:** **US D1,027,488 S**
(45) **Date of Patent:** **** May 21, 2024**

- (54) **TOILET PAPER DISPENSER**
- (71) Applicant: **Bradley Corporation**, Menomonee Falls, WI (US)
- (72) Inventors: **Simon Holzmann**, Zorneding (DE); **Stefan Hillenmayer**, Munich (DE); **Ning Zhou**, Munich (DE); **Maximilian Schneider**, Munich (DE); **Vincenz Marschall**, Munich (DE); **Laura Beth Stang**, Mukwonago, WI (US)
- (73) Assignee: **Bradley Fixtures, LLC**, Menomonee Falls, WI (US)
- (**) Term: **15 Years**
- (21) Appl. No.: **29/906,202**
- (22) Filed: **Nov. 1, 2023**

Related U.S. Application Data

- (60) Division of application No. 29/891,246, filed on May 3, 2023, now Pat. No. Des. 1,010,348, which is a (Continued)
- (51) **LOC (14) Cl.** **23-08**
- (52) **U.S. Cl.**
USPC **D6/523**
- (58) **Field of Classification Search**
USPC D6/518–523, 515; D3/201; 206/389, 206/391, 407, 409; 312/34.1, 34.8; 211/16, 85.5, 59.2; 221/92, 97, 185, 282, 221/284; 242/159, 160.2, 550, 560, 590, 242/594, 59, 588, 598, 598.3, 598.65
CPC A47K 10/3836; A47K 10/38; A47K 2010/3863; A47K 2010/3253; A47K 10/36; A47K 10/40; A47K 10/22; A47K 10/32; A47K 10/34; A47K 10/3687; A47K 10/3827; A47K 10/3818; A47K 10/405; A47K 2010/3246; A47K 2010/326

See application file for complete search history.

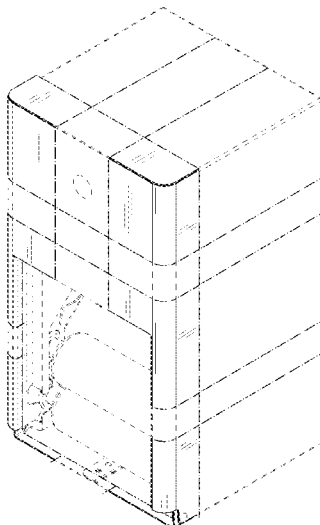
- (56) **References Cited**
U.S. PATENT DOCUMENTS
3,597,032 A * 8/1971 Harangozo A47K 10/32 312/34.4
D332,542 S * 1/1993 Hines D6/522
(Continued)
Primary Examiner — Nathan M Johnston
(74) *Attorney, Agent, or Firm* — Boyle Fredrickson, S.C.

(57) **CLAIM**
The ornamental design for a toilet paper dispenser, substantially as shown and described.

DESCRIPTION

FIG. 1 is a front, raised perspective view of a toilet paper dispenser according to a first embodiment of the invention; FIG. 2 is a front view of the toilet paper dispenser of FIG. 1; FIG. 3 is a rear view of the toilet paper dispenser of FIG. 1; FIG. 4 is a right side view of the toilet paper dispenser of FIG. 1; FIG. 5 is a left side view of the toilet paper dispenser of FIG. 1; FIG. 6 is a top view of the toilet paper dispenser of FIG. 1; and, FIG. 7 is a bottom view of the toilet paper dispenser of FIG. 1. The broken lines show portions of the toilet paper dispenser that form no part of the claimed design. The dash dot lines immediately adjacent to the claimed areas in the views represented boundaries of the claimed design. None of the broken lines form any part of the claimed design. The toilet paper dispenser is shown with a symbolic break in its width and height. The appearance of any portion of the toilet paper dispenser between the break lines forms no part of the claimed design.

1 Claim, 7 Drawing Sheets



Related U.S. Application Data

continuation-in-part of application No. 29/852,609, filed on Sep. 8, 2022, which is a division of application No. 29/728,365, filed on Mar. 18, 2020, now Pat. No. Des. 965,338, which is a continuation-in-part of application No. 29/708,036, filed on Oct. 2, 2019, now Pat. No. Des. 927,218.

(56)

References Cited

U.S. PATENT DOCUMENTS

D340,375 S	*	10/1993	Hines	D6/523
D416,725 S	*	11/1999	Lewis	D6/522
D511,429 S	*	11/2005	Lor	D6/520
D530,555 S		10/2006	Karraker et al.		
D553,403 S	*	10/2007	Williams	D6/520
D615,329 S		5/2010	Meyerhoffer		
D616,683 S		6/2010	Law et al.		
D624,340 S		9/2010	Benedetti		
D634,142 S		3/2011	Meyerhoffer		
D634,953 S		3/2011	Meyerhoffer		
D641,578 S		7/2011	Meyerhoffer		
D648,585 S		11/2011	Meyerhoffer		
D653,888 S		2/2012	Velazquez et al.		

D687,653 S		8/2013	Giovannoni		
D703,463 S		4/2014	Giovannoni		
D704,950 S	*	5/2014	Bogner	D6/545
D726,443 S		4/2015	Giovannoni		
D726,444 S		4/2015	Giovannoni		
D726,445 S		4/2015	Giovannoni		
D790,873 S		7/2017	Ku et al.		
D796,866 S		9/2017	Johnson		
D796,867 S		9/2017	Johnson		
D796,868 S		9/2017	Johnson		
D809,819 S		2/2018	Johnson		
D811,120 S		2/2018	Johnson		
D830,636 S		10/2018	Loong		
D840,171 S		2/2019	Buell et al.		
D840,712 S		2/2019	Buell et al.		
D840,713 S		2/2019	Buell et al.		
D855,348 S		8/2019	Buell et al.		
D869,193 S		12/2019	Peterson		
D871,672 S		12/2019	Hongfei		
D937,004 S	*	11/2021	Holzmann	D6/545
D941,050 S	*	1/2022	Holzmann	D6/523
D948,238 S	*	4/2022	Holzmann	D6/522
D948,888 S	*	4/2022	Holzmann	D6/522
D976,024 S	*	1/2023	Holzmann	D6/517
2012/0325841 A1	*	12/2012	Restaino	B65D 83/0864 493/162

* cited by examiner

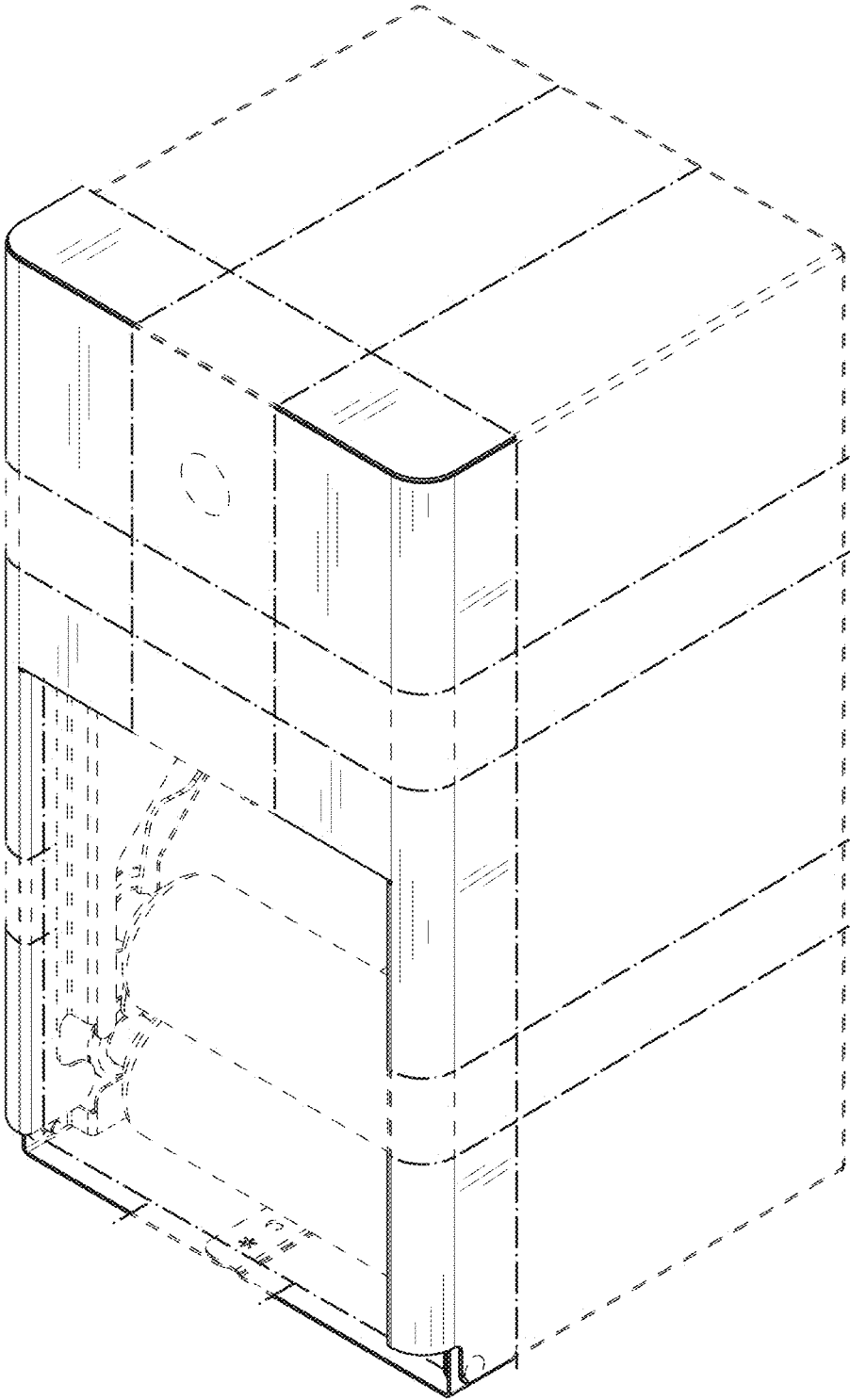


FIG. 1

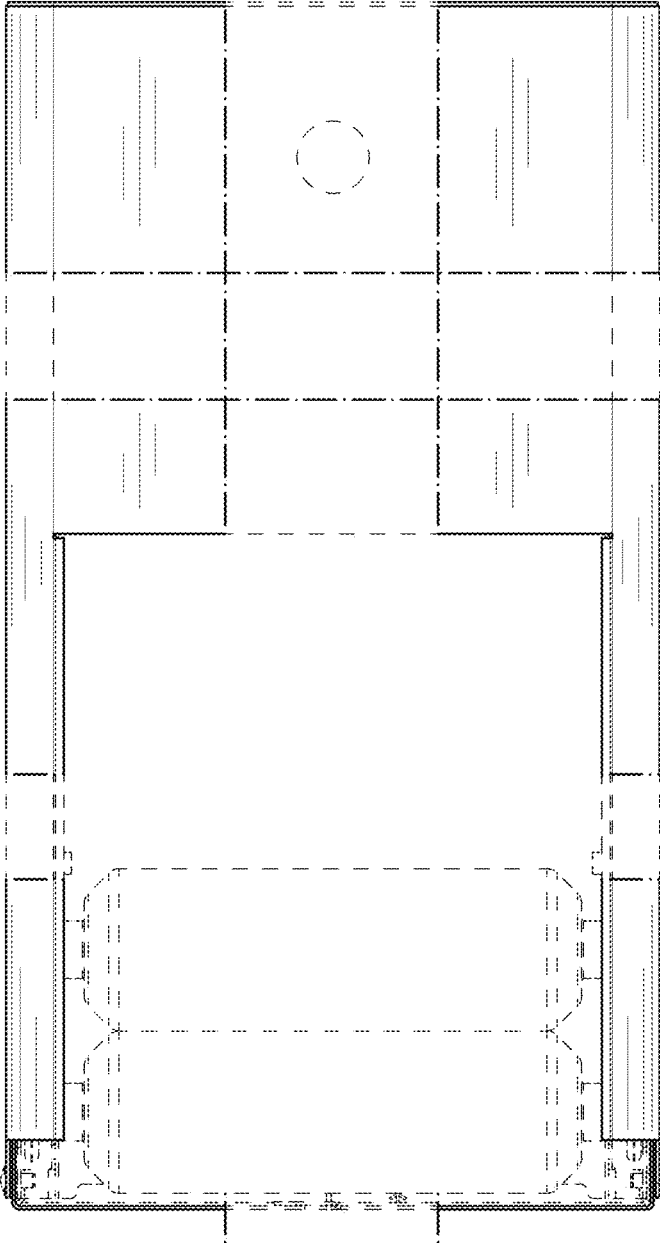


FIG. 2

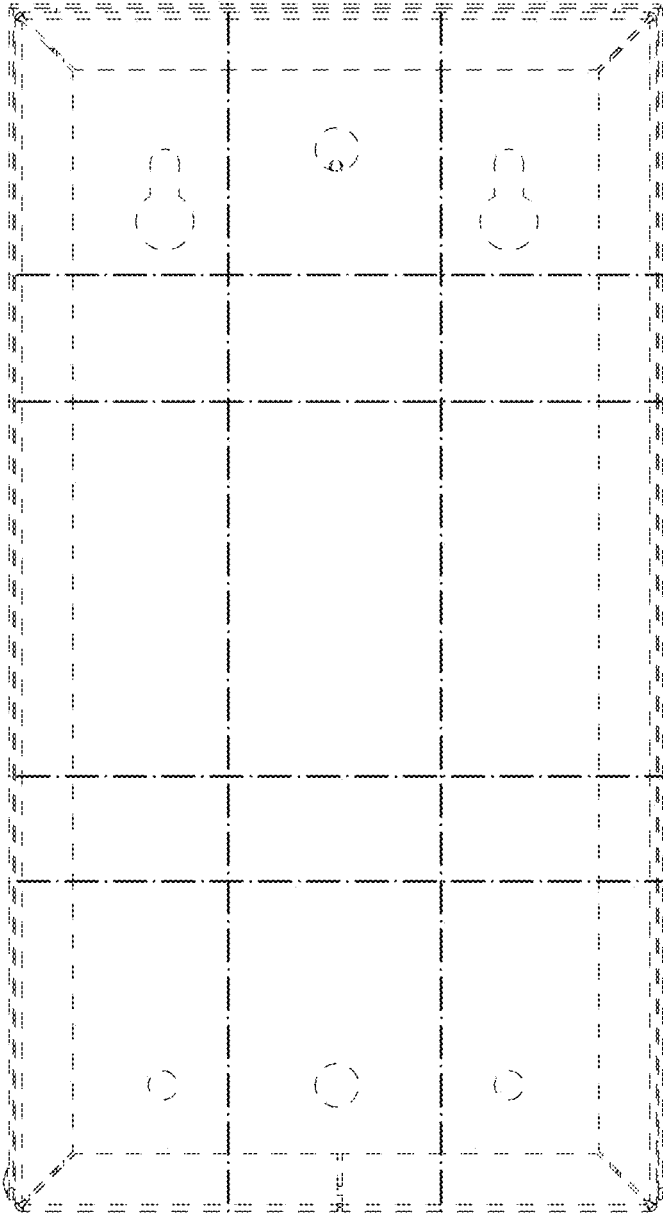


FIG. 3

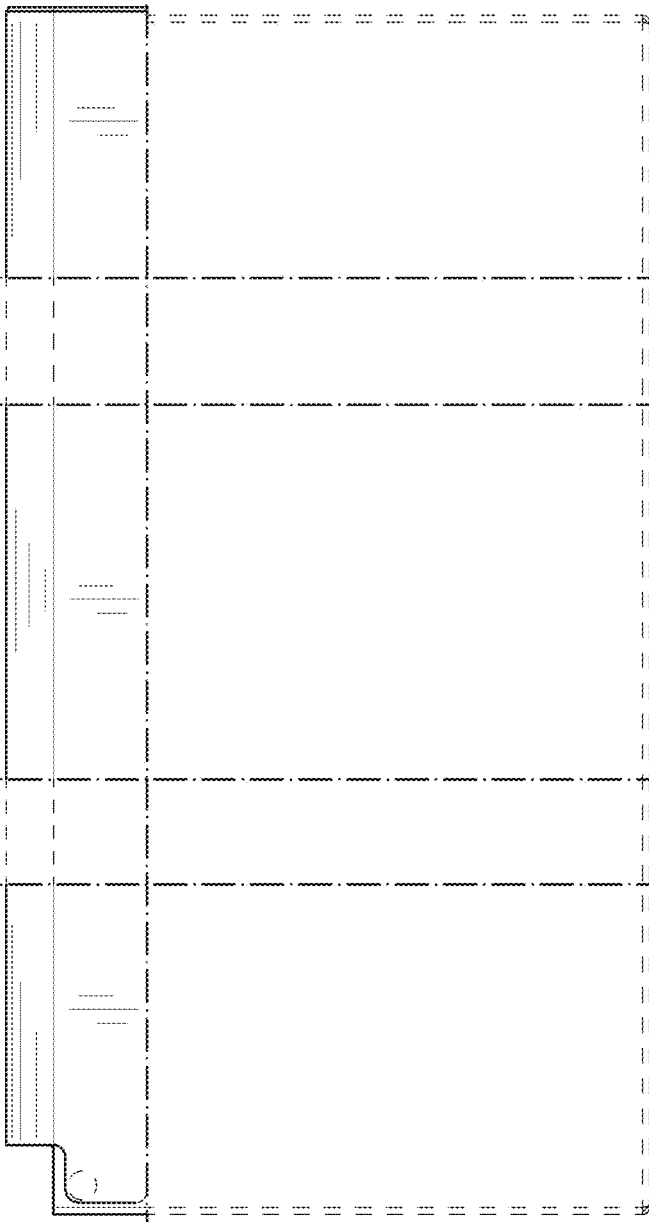


FIG. 4

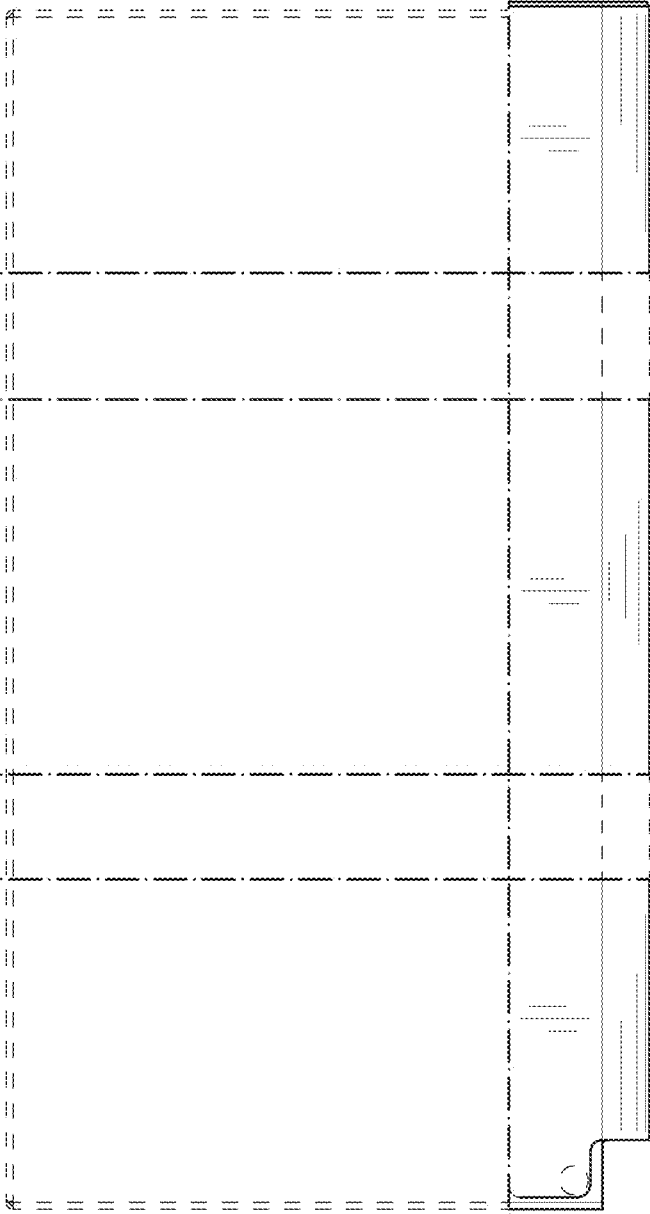


FIG. 5

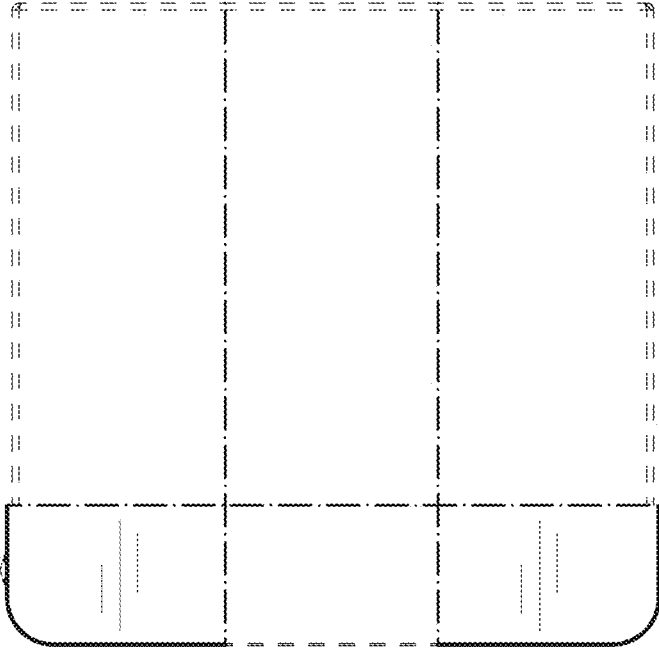


FIG. 6

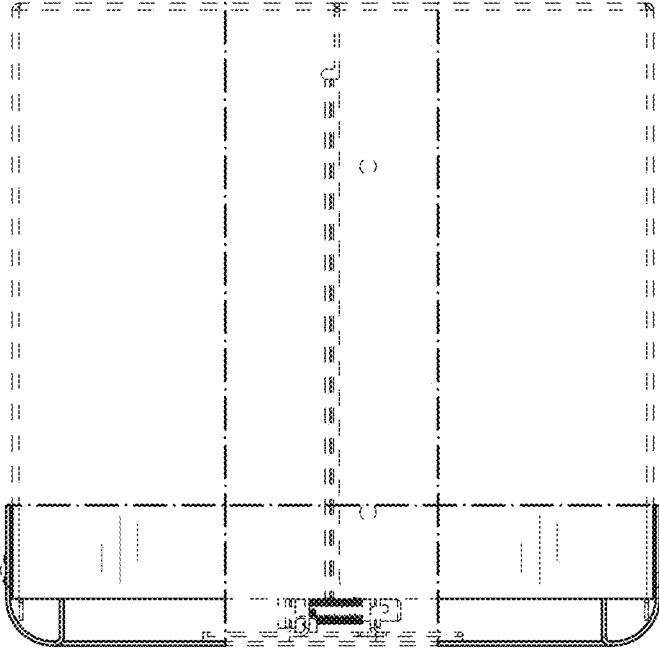


FIG. 7