



US00D408893S

United States Patent [19]

[11] Patent Number: **Des. 408,893**

Tse

[45] Date of Patent: ****Apr. 27, 1999**

[54] **SHOWER HEAD**

[75] Inventor: **Hing Fai Tse**, New Territories, The Hong Kong Special Administrative Region of the People's Republic of China

[73] Assignee: **Brand New Technology Ltd.**, Kowloon, The Hong Kong Special Administrative Region of the People's Republic of China

[**] Term: **14 Years**

[21] Appl. No.: **29/092,929**

[22] Filed: **Aug. 31, 1998**

Related U.S. Application Data

[62] Division of application No. 29/081,036, Dec. 22, 1997, Pat. No. Des. 405,502.

[30] Foreign Application Priority Data

Jun. 24, 1997	[GB]	United Kingdom	2066855
Jun. 24, 1997	[GB]	United Kingdom	2066856

[51] **LOC (6) Cl.** **23-01**

[52] **U.S. Cl.** **D23/229**

[58] **Field of Search** D23/213, 223, D23/226, 229, 230; 239/459-462, 394

[56] **References Cited**

U.S. PATENT DOCUMENTS

D. 290,497	6/1987	Huen	D23/229
D. 315,393	3/1991	Presman	D23/213
D. 374,273	10/1996	Chan	D23/213
D. 385,616	10/1997	Dow et al.	D23/229

Primary Examiner—Alan P. Douglas
Assistant Examiner—Robin V Taylor
Attorney, Agent, or Firm—Miller, Sisson, Chapman & Nash, P.C.

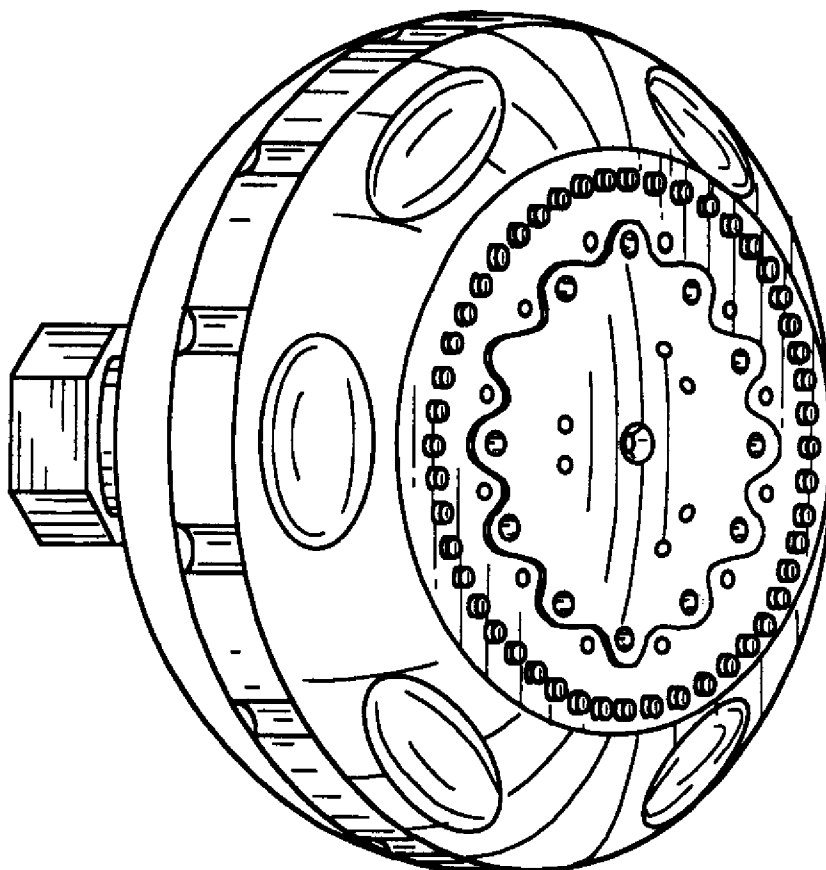
[57] **CLAIM**

The ornamental design of a shower head, as shown and described.

DESCRIPTION

FIG. 1 is a front, left side perspective view of a shower head showing my new design lined for the color green on the outer ring of shower heads;
FIG. 2 is a front elevational view thereof;
FIG. 3 is a left side elevation view thereof;
FIG. 4 is a top plan view thereof; and,
FIG. 5 is a rear elevation view thereof.

1 Claim, 1 Drawing Sheet



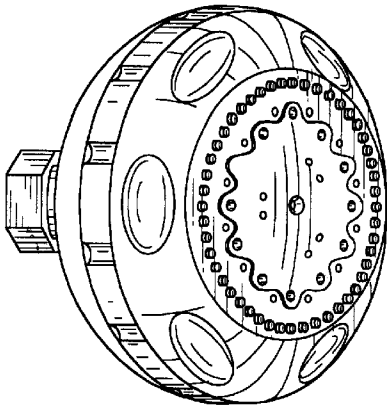


Fig. 1

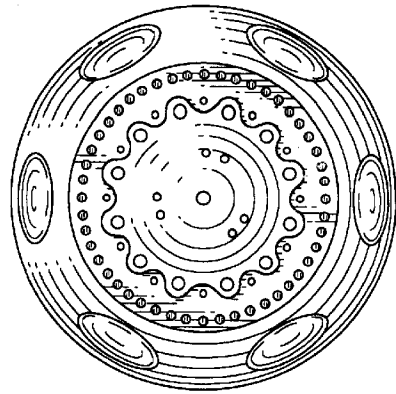


Fig. 2

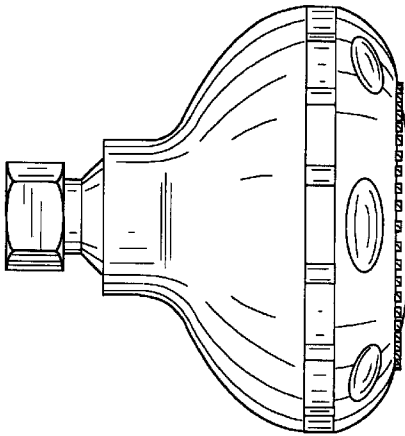


Fig. 3

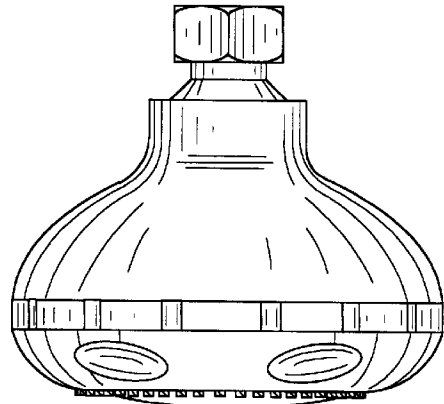


Fig. 4

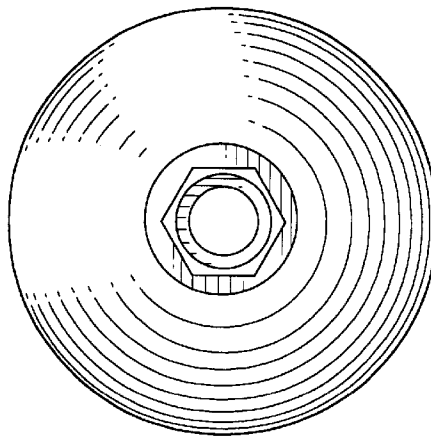


Fig. 5