



US00D478669S

(12) **United States Design Patent** (10) **Patent No.:** **US D478,669 S**  
**Wear** (45) **Date of Patent:** **\*\* Aug. 19, 2003**

(54) **BABY BOTTLE**  
(75) Inventor: **William Wear**, Arlington, MA (US)  
(73) Assignee: **The First Years, Inc.**, Lake Forest, CA (US)  
(\*\*) Term: **14 Years**  
(21) Appl. No.: **29/163,108**  
(22) Filed: **Jun. 25, 2002**  
(51) **LOC (7) Cl.** ..... **07-01**  
(52) **U.S. Cl.** ..... **D24/197**  
(58) **Field of Search** ..... D24/197; 215/11.1, 215/11.2, 11.3, 11.4, 11.5, 11.6

Gerber Clear View 9 oz. (photograph).  
Gerber new traditions contoured nurser 5 oz. (photograph).  
Gerber New Traditions Contoured Nurser 9 oz. (photograph).  
J&J Healthflow Angled Reusable Btle 8 oz. (photograph).  
Playtex Vent Aire Resuable 6 oz. (photograph).

\* cited by examiner

*Primary Examiner*—Stella Reid  
(74) *Attorney, Agent, or Firm*—Fish & Richardson P.C.

(57) **CLAIM**

The ornamental design for a baby bottle, as shown and described.

(56) **References Cited**  
**U.S. PATENT DOCUMENTS**

3,366,261	A	*	1/1968	Dewey	.....	215/11.4
4,613,050	A	*	9/1986	Atkin et al.	.....	215/11.5
5,419,445	A	*	5/1995	Kaesemeyer	.....	215/11.1
6,112,919	A	*	9/2000	Ho	.....	215/11.4
D435,108	S	*	12/2000	Chomik et al.	.....	D24/197
D440,318	S	*	4/2001	Meyers et al.	.....	D24/197
D441,872	S	*	5/2001	Johansen et al.	.....	D24/197
D450,387	S	*	11/2001	Gaona	.....	D24/197
D460,560	S	*	7/2002	Chomik et al.	.....	D24/197

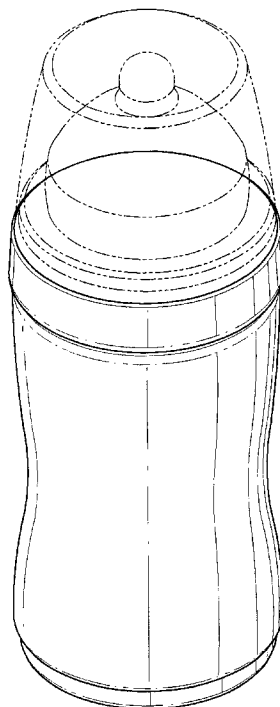
**OTHER PUBLICATIONS**

Avent Nurser Disposable Liners 8 oz. (photograph).  
Avent Resusable 4 oz. (photograph).  
Evenflo Sensitive Response Pediatric Angle 8 oz. (photograph).

**DESCRIPTION**

FIG. 1 is a perspective view of a baby bottle, showing my new design;  
FIG. 2 is a side view of FIG. 1;  
FIG. 3 is a top view of FIG. 1 and FIG. 8;  
FIG. 4 is a bottom view of FIG. 1 and FIG. 8;  
FIG. 5 is a side view of FIG. 1 with the cap inverted;  
FIG. 6 is a perspective view of a second embodiment of the baby bottle;  
FIG. 7 is a side view of FIG. 8; and,  
FIG. 8 is a side view of FIG. 8, with the cap inverted.

**1 Claim, 5 Drawing Sheets**



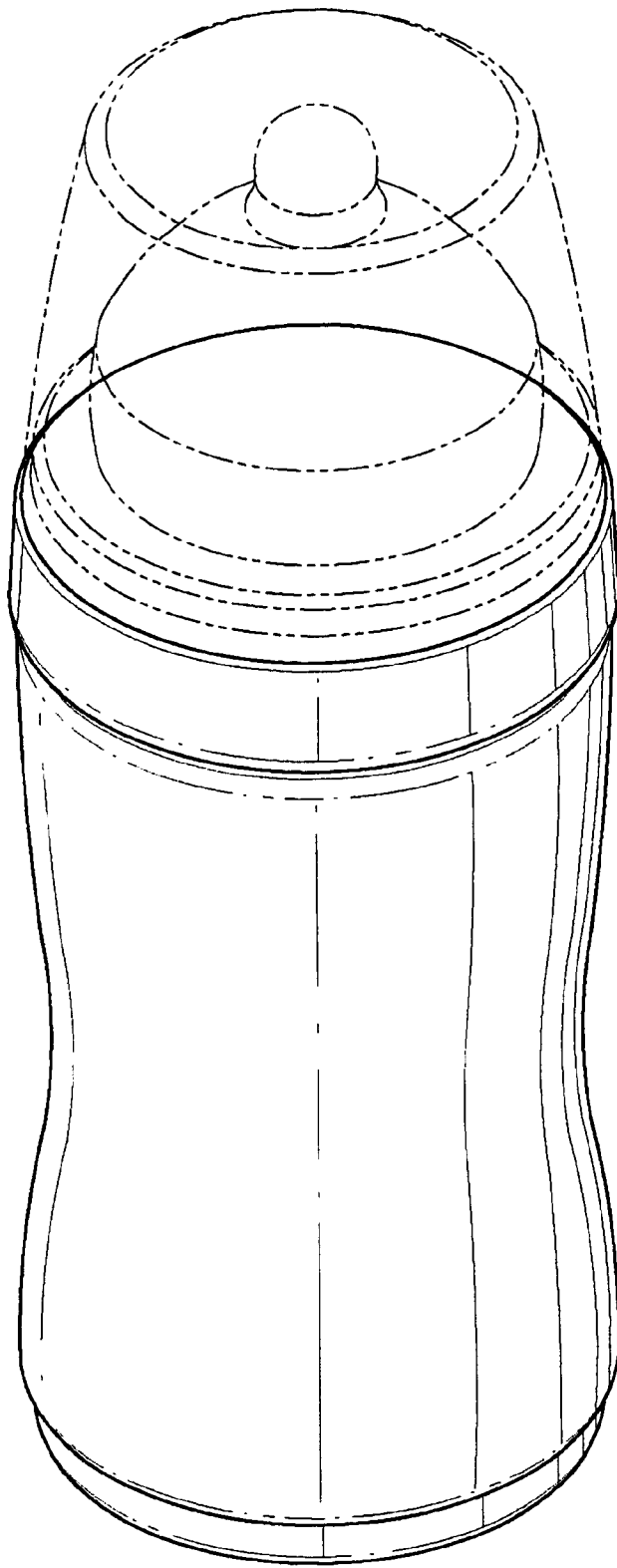


FIG. 1

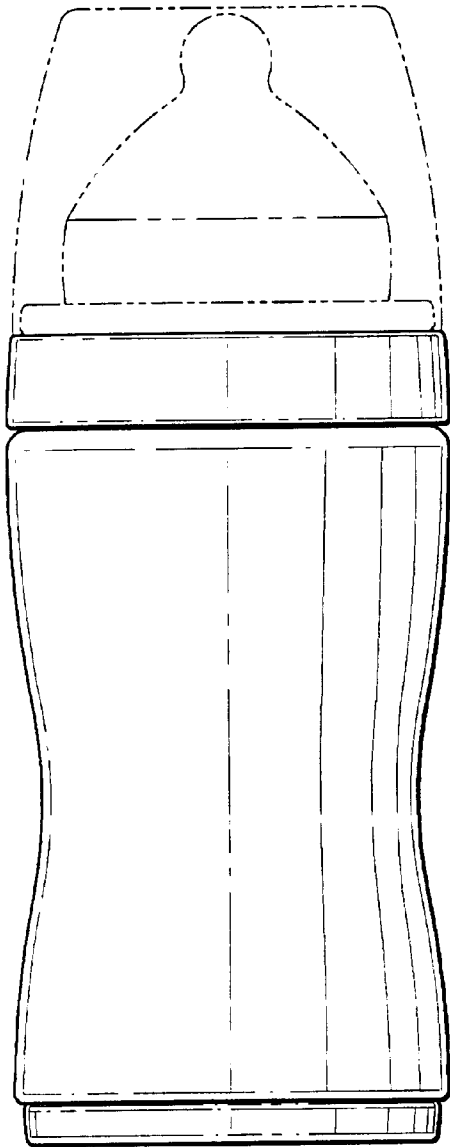


FIG. 2

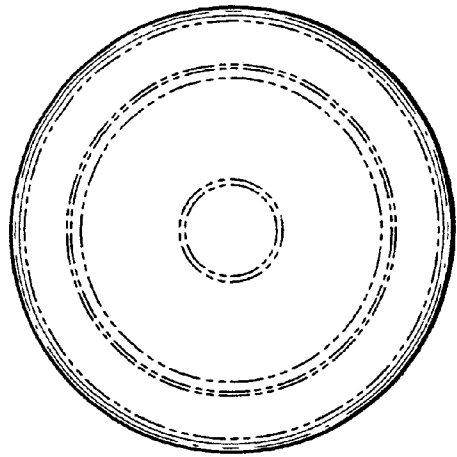


FIG. 3

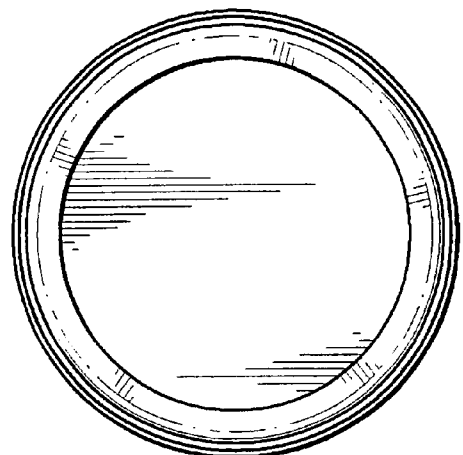


FIG. 4

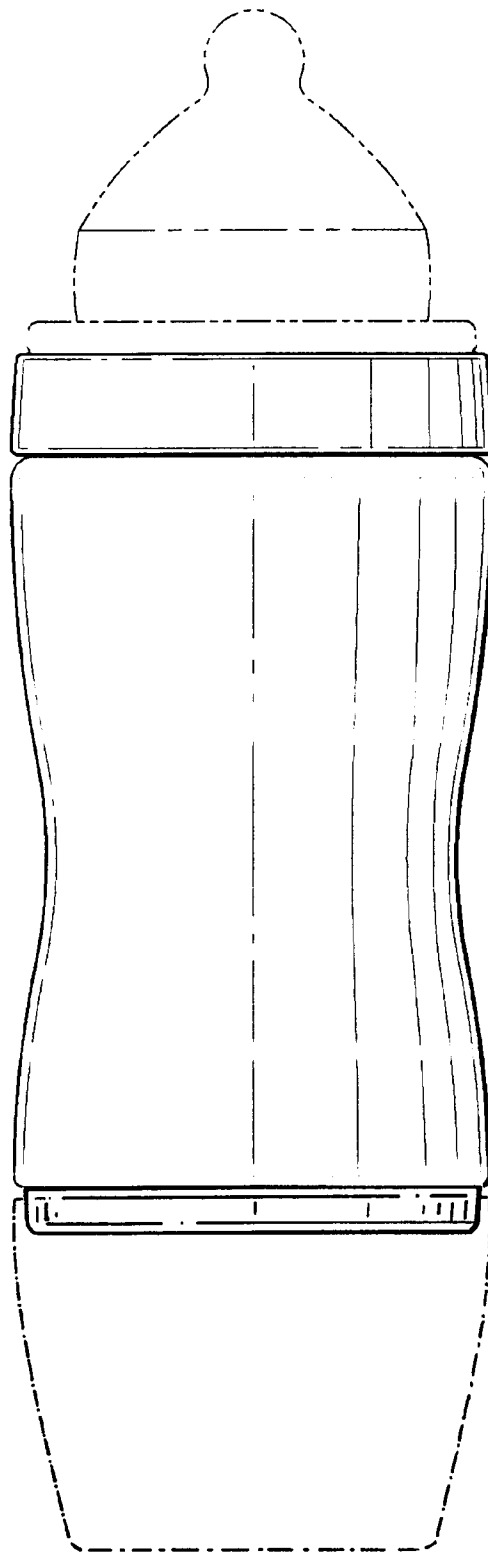


FIG. 5

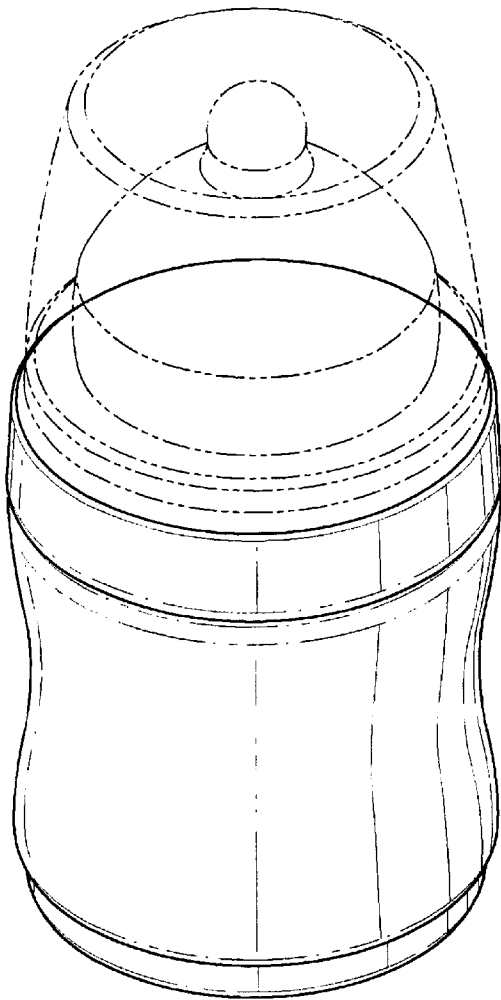


FIG. 6

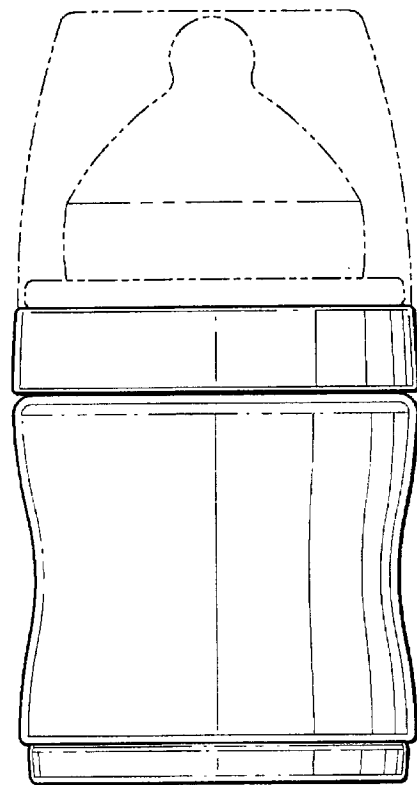


FIG. 7

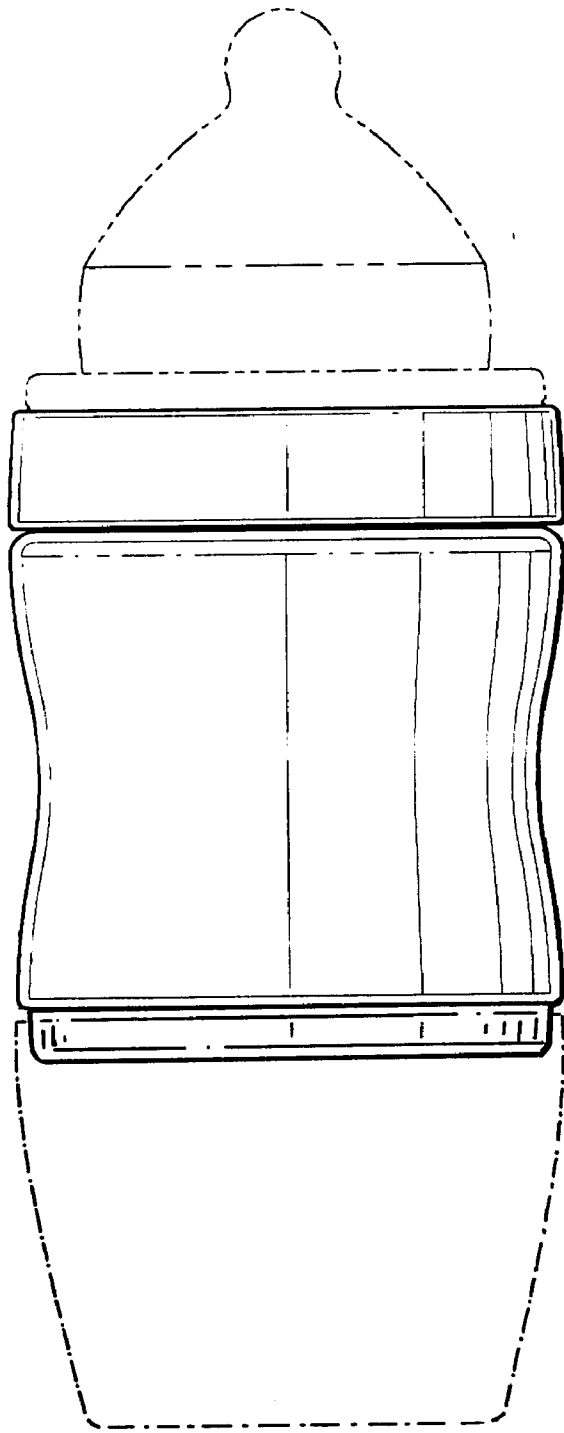


FIG. 8