



US00D524258S

(12) **United States Design Patent**  
**Sorenson**

(10) **Patent No.:** **US D524,258 S**

(45) **Date of Patent:** **\*\* Jul. 4, 2006**

(54) **ELECTRICAL ROCKER SWITCH  
ACTUATOR**

D341,568 S \* 11/1993 Sorenson et al. .... D13/174  
D403,306 S \* 12/1998 LeClair et al. .... D13/169  
D454,120 S \* 3/2002 Sadowski et al. .... D13/174  
D458,231 S \* 6/2002 Errato ..... D13/169

(75) Inventor: **Richard Sorenson**, Stuart, FL (US)

(73) Assignee: **Carling Technologies, Inc.**, Plainville, CT (US)

\* cited by examiner

(\*\*) Term: **14 Years**

*Primary Examiner*—Prabhakar Deshmukh

*Assistant Examiner*—Selina Sikder

(21) Appl. No.: **29/241,965**

(74) *Attorney, Agent, or Firm*—McCormick, Paulding & Huber LLP

(22) Filed: **Nov. 3, 2005**

(57) **CLAIM**

**Related U.S. Application Data**

I claim the ornamental design for an electrical rocker switch actuator, as shown and described.

(62) Division of application No. 29/222,293, filed on Jan. 27, 2005.

**DESCRIPTION**

(51) **LOC (8) Cl.** ..... **13-03**

FIG. 1 is a top plan view of an electrical rocker switch actuator showing my new design.

(52) **U.S. Cl.** ..... **D13/174**; D13/169

FIG. 2 is a left side elevational view thereof, the right side being a mirror image thereof; and,

(58) **Field of Classification Search** ..... D13/169,  
D13/171, 170, 174; 174/57, 66; 200/6 R,  
200/437, 457, 525, 553, 218, 277.2, 296,  
200/297, 295, 302.3, 303, 310, 315, 329,  
200/330, 331, 332.1, 333, 335; 307/141,  
307/157

FIG. 3 is an in elevational end view thereof, the opposite end view being a mirror image thereof.

See application file for complete search history.

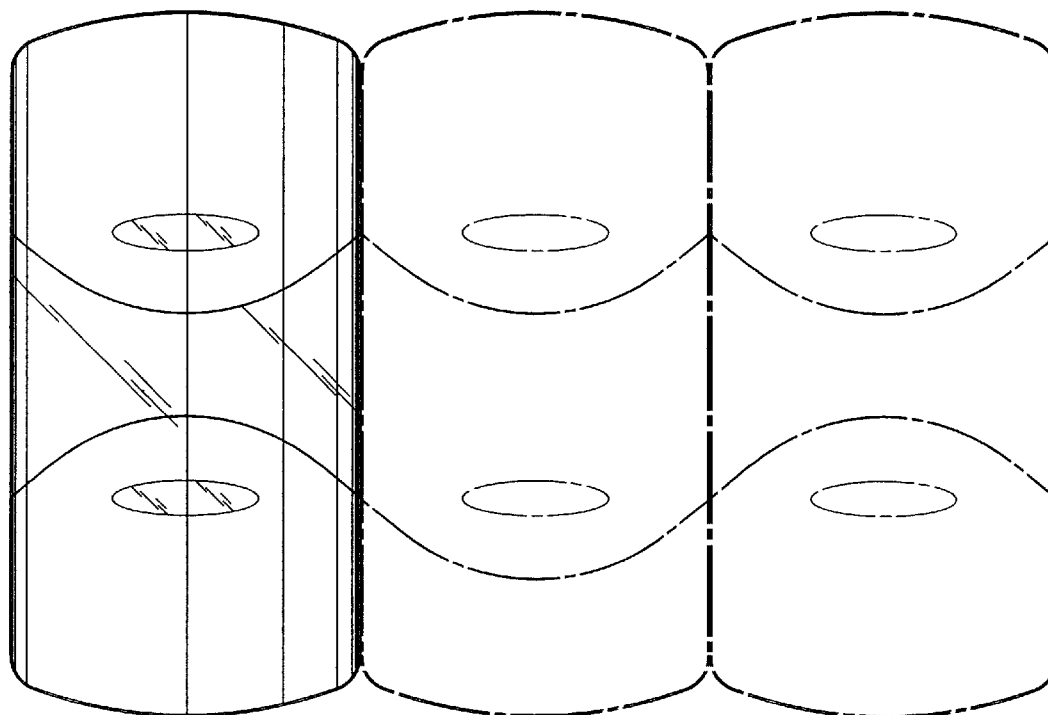
The broken/ phantom lines show the environment for the claimed design and are offered for illustrative purposes only, and form no part of the claimed design.

(56) **References Cited**

**U.S. PATENT DOCUMENTS**

**1 Claim, 1 Drawing Sheet**

D328,454 S \* 8/1992 Sorenson et al. .... D13/174



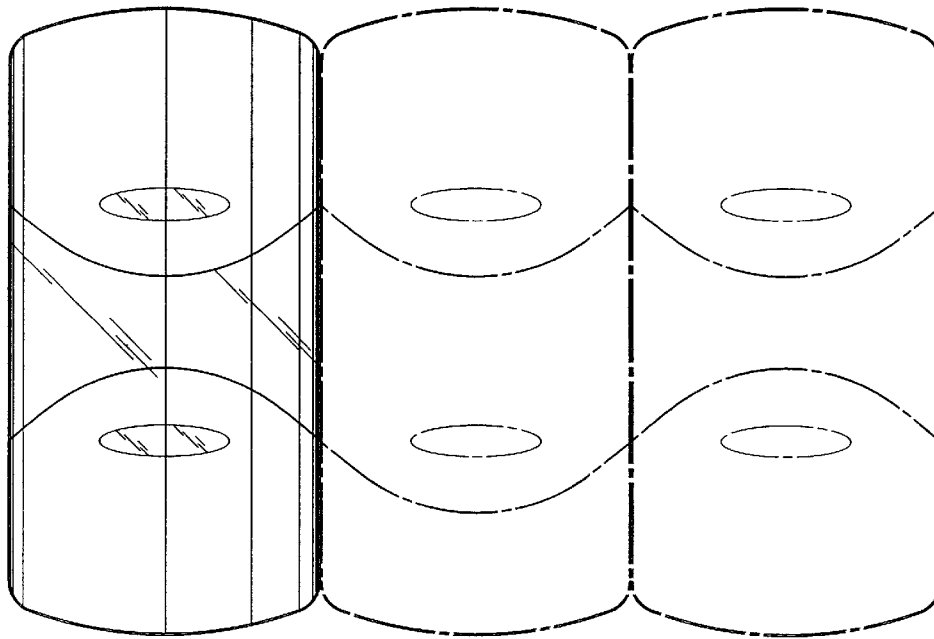


FIG. 1

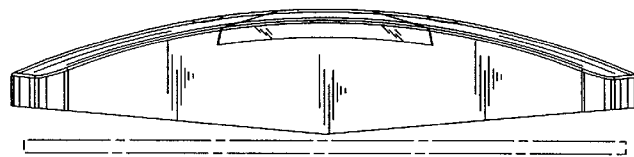


FIG. 2

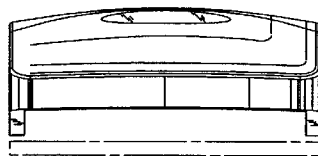


FIG. 3