



US00D369387S

# United States Patent [19]

[11] Patent Number: **Des. 369,387**

**Stambolic et al.**

[45] Date of Patent: **\*\*Apr. 30, 1996**

## [54] HAND-HELD ELECTRONIC GAME HOUSING

[75] Inventors: **Zarko Stambolic**, Oak Park; **Shari L. Smith**, Chicago; **Howard J. Morrison**, Riverwoods, all of Ill.

[73] Assignee: **Tiger Electronics, Inc.**, Vernon Hills, Ill.

[\*\*] Term: **14 Years**

[21] Appl. No.: **31,364**

[22] Filed: **Nov. 23, 1994**

[52] U.S. Cl. .... **D21/13**

[58] Field of Search ..... **D21/13, 48; 273/148 B, 273/433-438, DIG. 28; D14/124, 125**

## [56] References Cited

### U.S. PATENT DOCUMENTS

D. 270,075	8/1983	Tsuyuki	.....	D21/13
D. 320,624	10/1991	Taylor	.....	D21/13
5,161,803	11/1992	Ohara	.....	273/DIG. 28 X
5,213,327	5/1993	Kitaue	.....	273/434 X
5,232,223	8/1993	Dornbusch	.....	273/438 X

## OTHER PUBLICATIONS

Playthings, Mar. 1980, p. 16 Lakeside's le Boom.  
Hong Kong Enterprise Oct. 1992, p. 279 Pen-cu-lator.  
Hong Kong Enterprises, Oct. 1992, p. 353.  
MIDWAY MORTAL KOMBAT product, shown on p. 84 (copyright 1992) from Jan. 1994 edition of Tiger Electronics, Inc. book entitled *Lightning Strikes Again*.

*Primary Examiner*—Prabhakar G. Deshmukh  
*Attorney, Agent, or Firm*—Fitch, Even, Tabin & Flannery

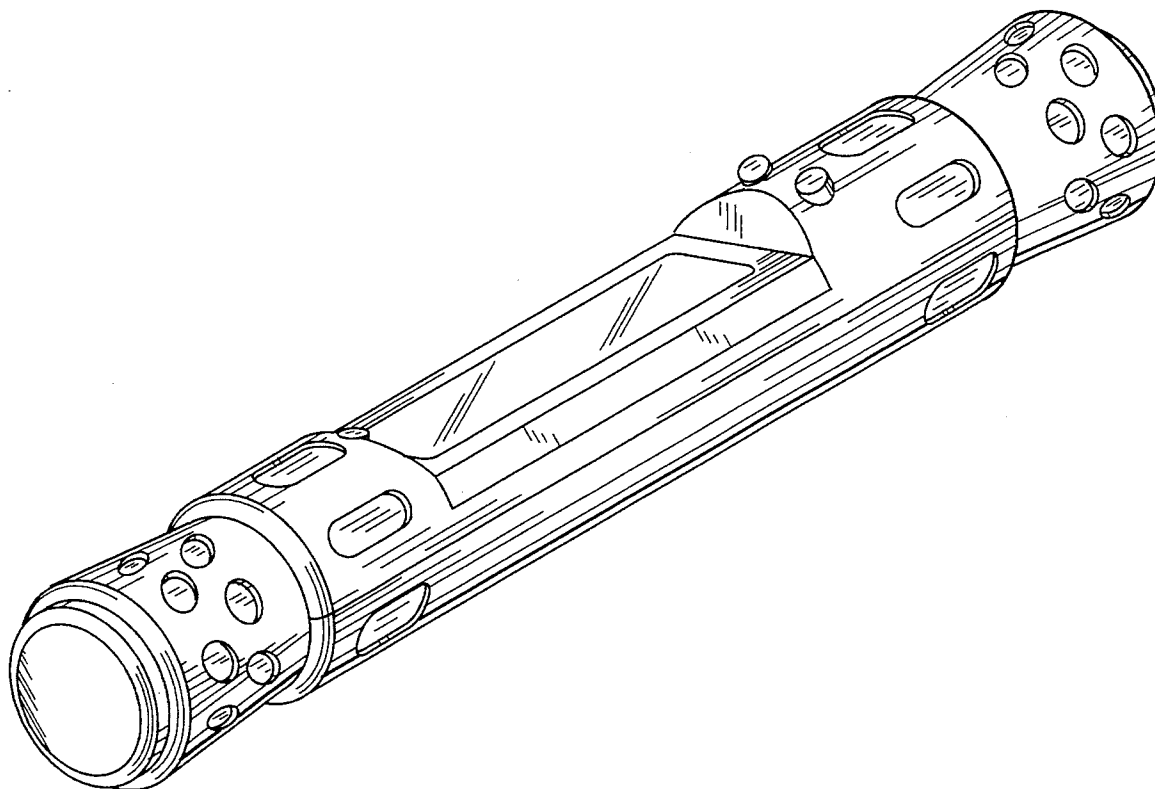
## [57] CLAIM

The ornamental design for the hand-held electronic game housing, as shown and described.

## DESCRIPTION

FIG. 1 is a perspective view of a hand-held electronic game housing showing our new design; FIG. 2 is a top plan view thereof; FIG. 3 is a front elevational view thereof; FIG. 4 is a bottom plan view thereof; FIG. 5 is a rear elevational view thereof; FIG. 6 is a left side elevational view thereof; and, FIG. 7 is a right side elevational view thereof.

**1 Claim, 2 Drawing Sheets**



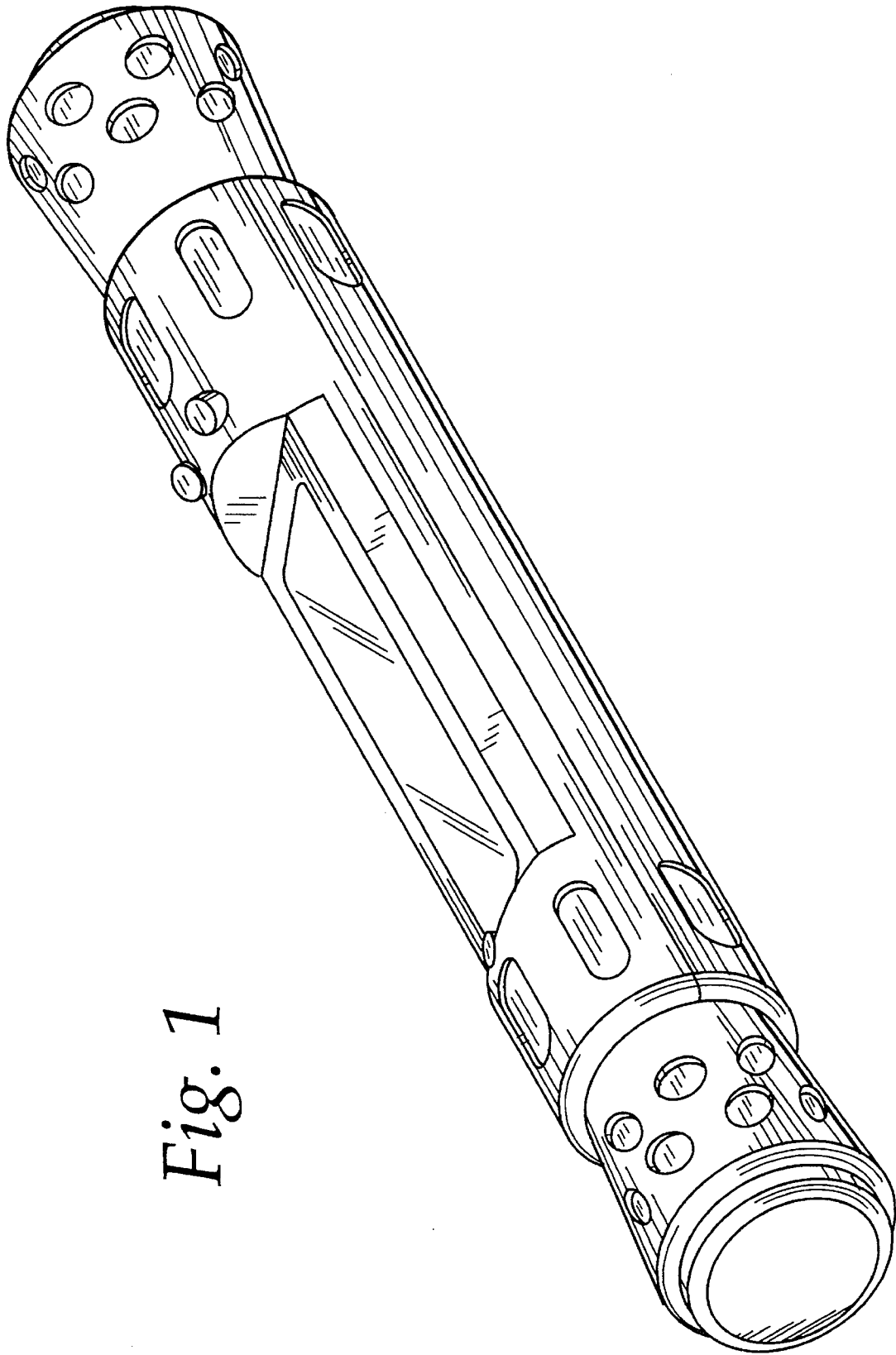
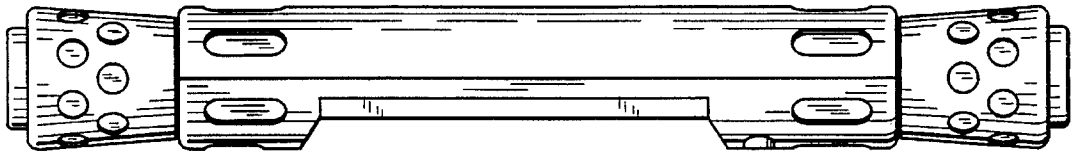
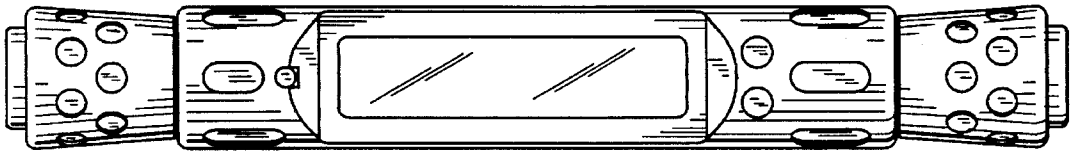


Fig. 1

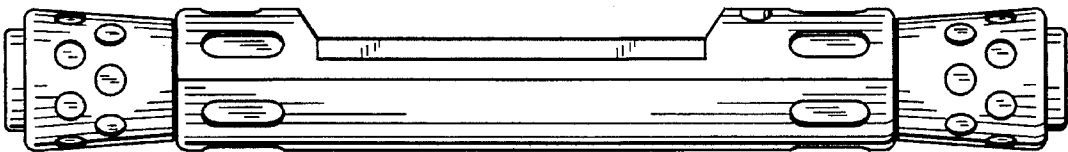
*Fig. 2*



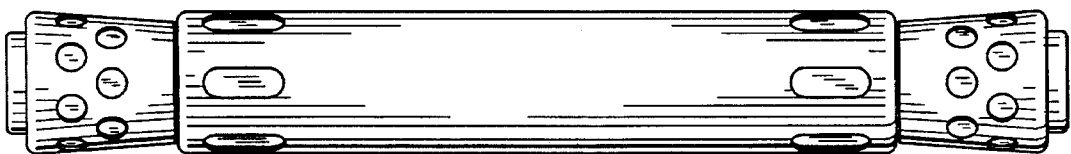
*Fig. 3*



*Fig. 4*



*Fig. 5*



*Fig. 6*



*Fig. 7*

