



US00D388722S

United States Patent [19]
Wilson

[11] **Patent Number:** **Des. 388,722**
[45] **Date of Patent:** ****Jan. 6, 1998**

[54] **SECURITY ALARM**

[75] **Inventor:** **Wendell Wilson, Atlanta, Ga.**

[73] **Assignee:** **GTC Properties, Inc., Wilmington, Del.**

[**] **Term:** **14 Years**

[21] **Appl. No.:** **60,337**

[22] **Filed:** **Sep. 26, 1996**

[51] **LOC (6) Cl.** **10-05**

[52] **U.S. Cl.** **D10/106**

[58] **Field of Search** **D10/104, 106, D10/116, 121; 340/521, 540, 545, 555, 556, 557, 565, 571, 572, 600, 628, 629**

[56] **References Cited**

U.S. PATENT DOCUMENTS

D. 359,923	7/1995	Sandell	D10/106
D. 363,804	10/1995	Parker et al.	D10/106
D. 363,891	11/1995	Gough	D10/106

Primary Examiner—Marcus A. Jackson
Attorney, Agent, or Firm—Jones, Day, Reavis & Pogue

[57] **CLAIM**

The ornamental design for a security alarm, as shown and described.

DESCRIPTION

FIG. 1 is a perspective view of a security alarm of the present invention, with the broken line showing for illustrative purposes only and forming no part of the claimed design;

FIG. 2 is a top plan view of the security alarm of FIG. 1;

FIG. 3 is a rear plan view of the security alarm of FIG. 1;

FIG. 4 is a front elevational view of the security alarm of FIG. 1;

FIG. 5 is a right side elevational view of the security alarm of FIG. 1, the left side view being a mirror image thereof; and,

FIG. 6 is a bottom plan view of the security alarm of FIG. 1.

1 Claim, 3 Drawing Sheets

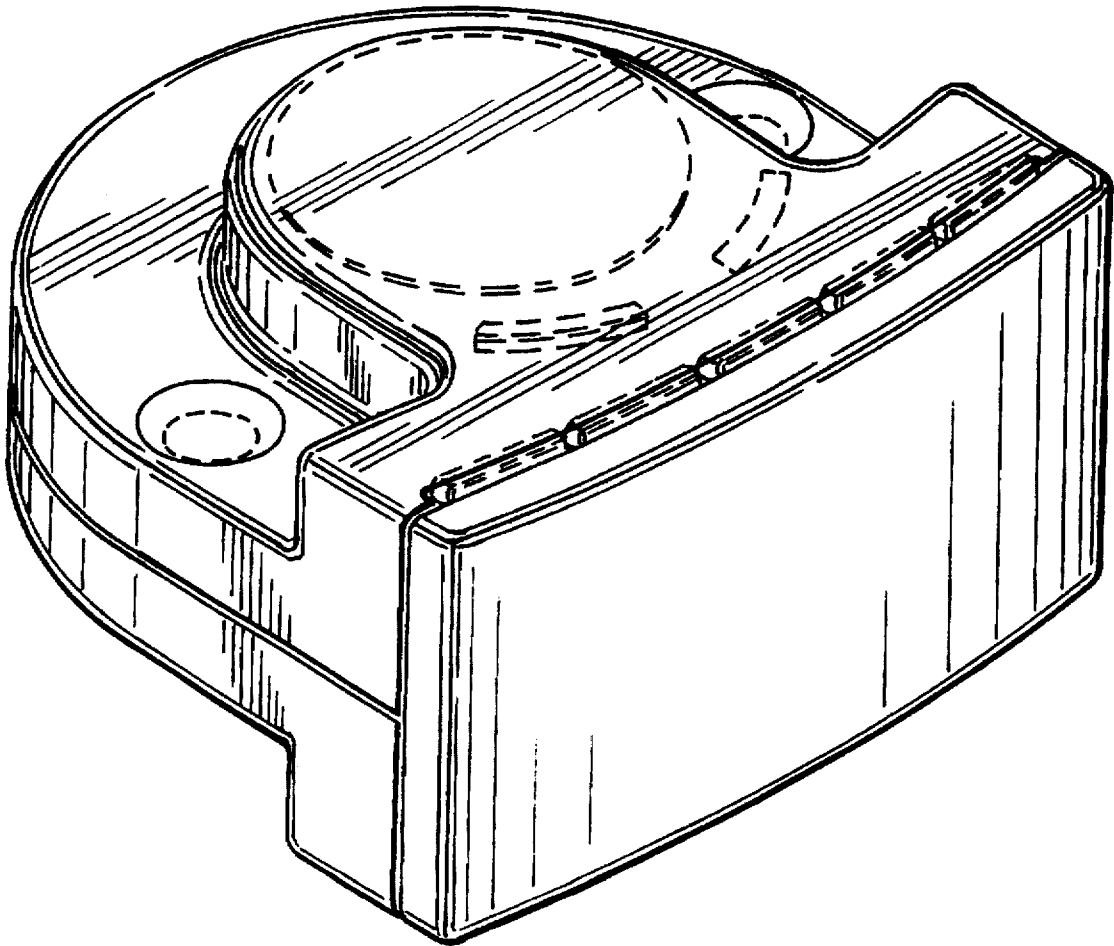


FIG. 1

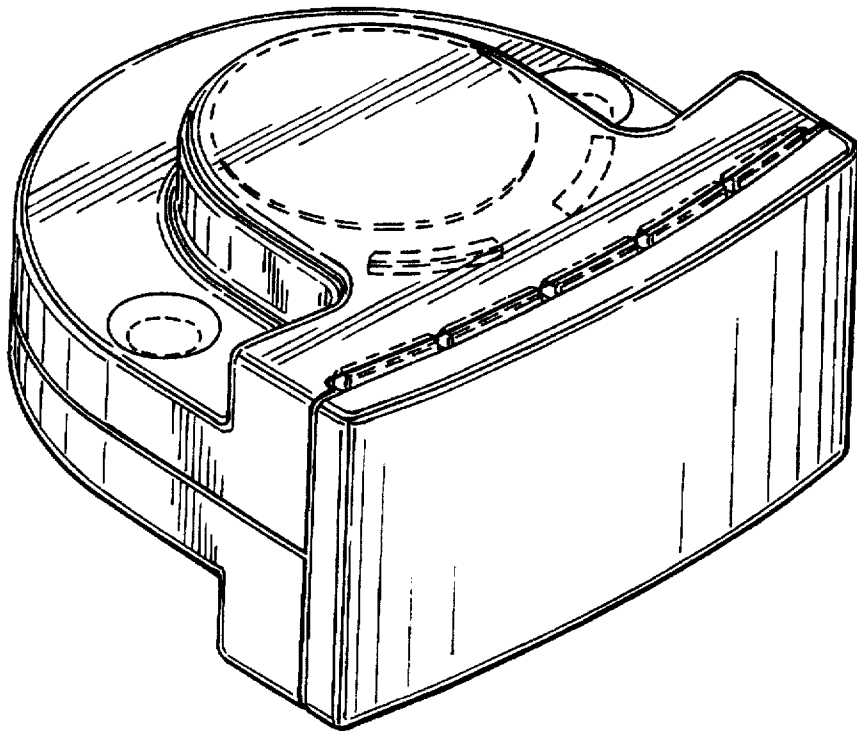


FIG. 2

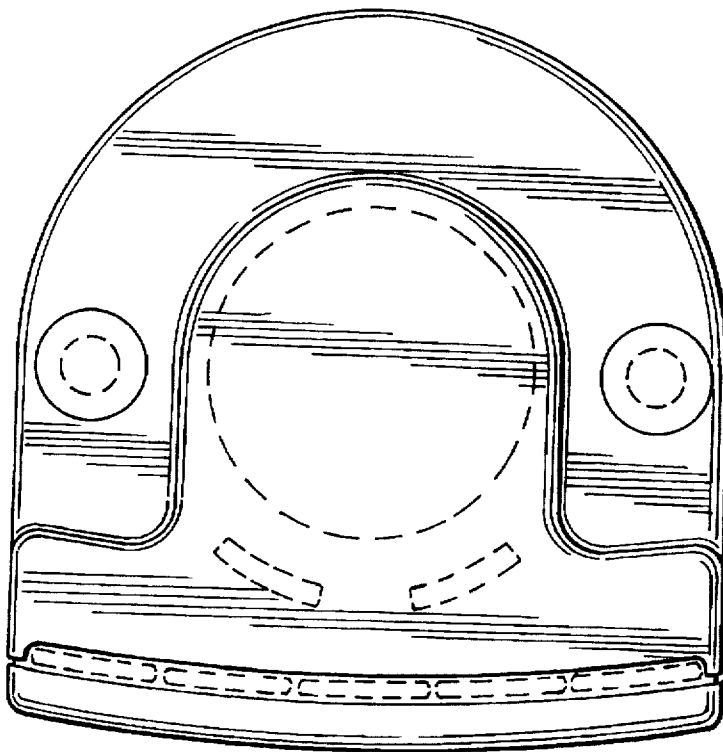


FIG.3

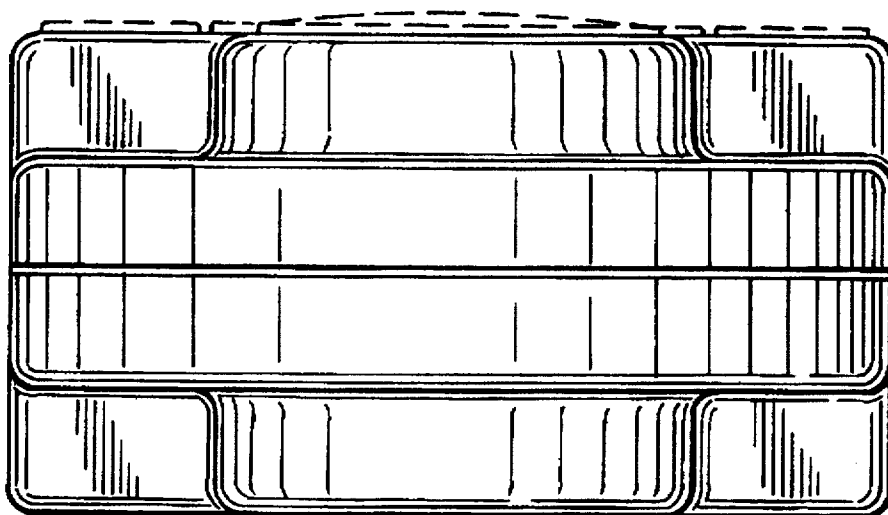


FIG.4

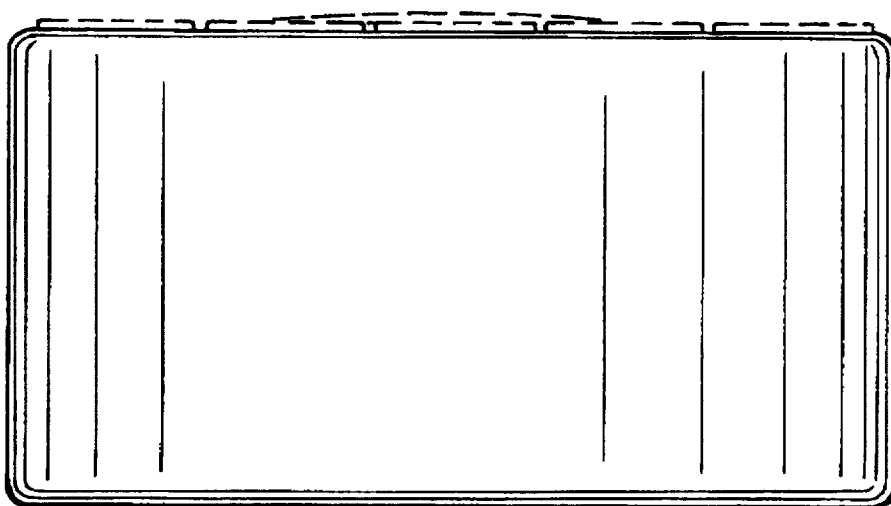


FIG.5

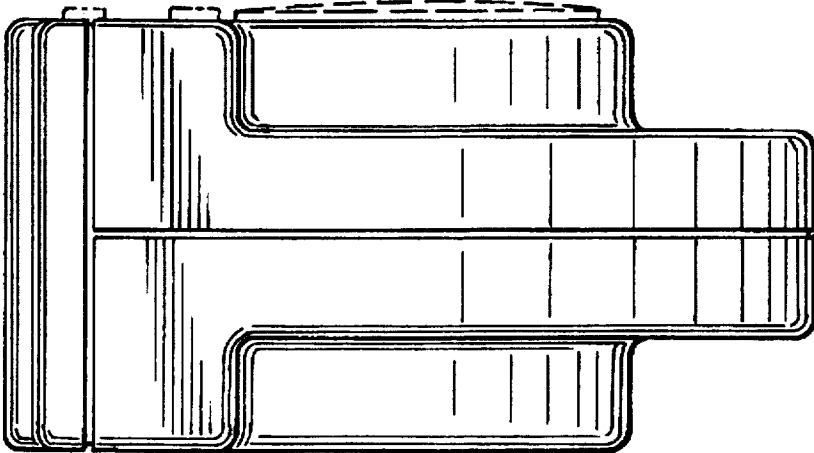


FIG.6

