



US00D930641S

(12) **United States Design Patent**
Zhou

(10) **Patent No.:** **US D930,641 S**

(45) **Date of Patent:** **** Sep. 14, 2021**

(54) **STAND FOR MOBILE TELEPHONE**

(71) Applicant: **Shenzhen Guanyi Industrial Design Co., Ltd.**, Guangdong (CN)

(72) Inventor: **Hao Zhou**, Guangdong (CN)

(73) Assignee: **Shenzhen Guanyi Industrial Design Co., Ltd.**, Shenzhen (CN)

(**) Term: **15 Years**

(21) Appl. No.: **29/739,245**

(22) Filed: **Jun. 24, 2020**

(30) **Foreign Application Priority Data**

Mar. 11, 2020 (CN) 202030080556.2

(51) **LOC (13) Cl.** **08-07**

(52) **U.S. Cl.**
USPC **D14/253; D14/447**

(58) **Field of Classification Search**
USPC D14/447, 432, 434, 439, 440, 451, 452,
D14/457, 239, 253; D8/363, 373, 380;
D6/406.3, 406.4, 406.5, 406.6; D12/415;
D13/108

CPC A47B 21/04; A47B 2097/006; A47B
2097/005; A47B 2023/049; A45C
2011/002; A45C 2011/003; F16M
2200/00; F16M 13/00

See application file for complete search history.

(56) **References Cited**

U.S. PATENT DOCUMENTS

D672,356 S * 12/2012 Quijano D14/447
D703,676 S * 4/2014 Smith D14/447
D756,367 S * 5/2016 Kim D14/447
D772,216 S * 11/2016 Lau D14/253
D829,725 S * 10/2018 Luo D14/447

D839,869 S * 2/2019 Wang D14/253
D842,305 S * 3/2019 Gao D14/447
D868,073 S * 11/2019 Smith D14/447
D898,017 S * 10/2020 Zhang D14/253
D902,217 S * 11/2020 Zhang D14/447
D904,387 S * 12/2020 Zhang D14/253
D912,654 S * 3/2021 Weng D14/253
D920,981 S * 6/2021 Zhang D14/434

* cited by examiner

Primary Examiner — Angela J Lee

(57) **CLAIM**

The ornamental design for a stand for mobile telephone, as shown and described.

DESCRIPTION

FIG. 1 is a front and right side perspective view of a stand for mobile telephone showing my new design;

FIG. 2 is a bottom, rear, and right side perspective view thereof;

FIG. 3 is a front elevational view thereof;

FIG. 4 is a rear elevational view thereof;

FIG. 5 is a left side view thereof;

FIG. 6 is a right side view thereof;

FIG. 7 is a top plan view thereof;

FIG. 8 is a bottom plan view thereof;

FIG. 9 is a front and right side perspective view in a first unfolded state;

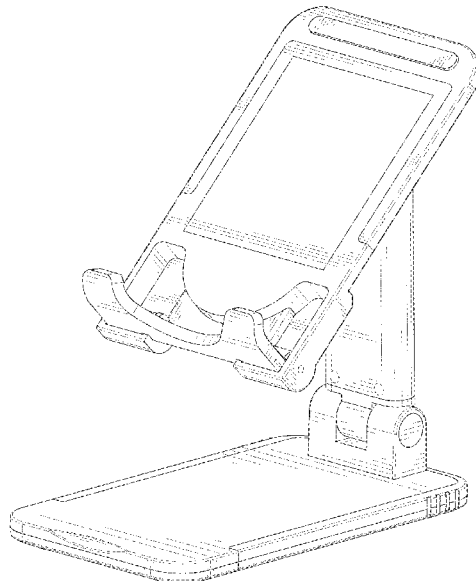
FIG. 10 is a front and right side perspective view in a second unfolded state;

FIG. 11 is a front and right side perspective view in a third unfolded state; and,

FIG. 12 is a top, front and right side perspective view in a folded state.

The broken lines in the drawings illustrate portions of the stand for mobile telephone which form no part of the claimed design.

1 Claim, 12 Drawing Sheets



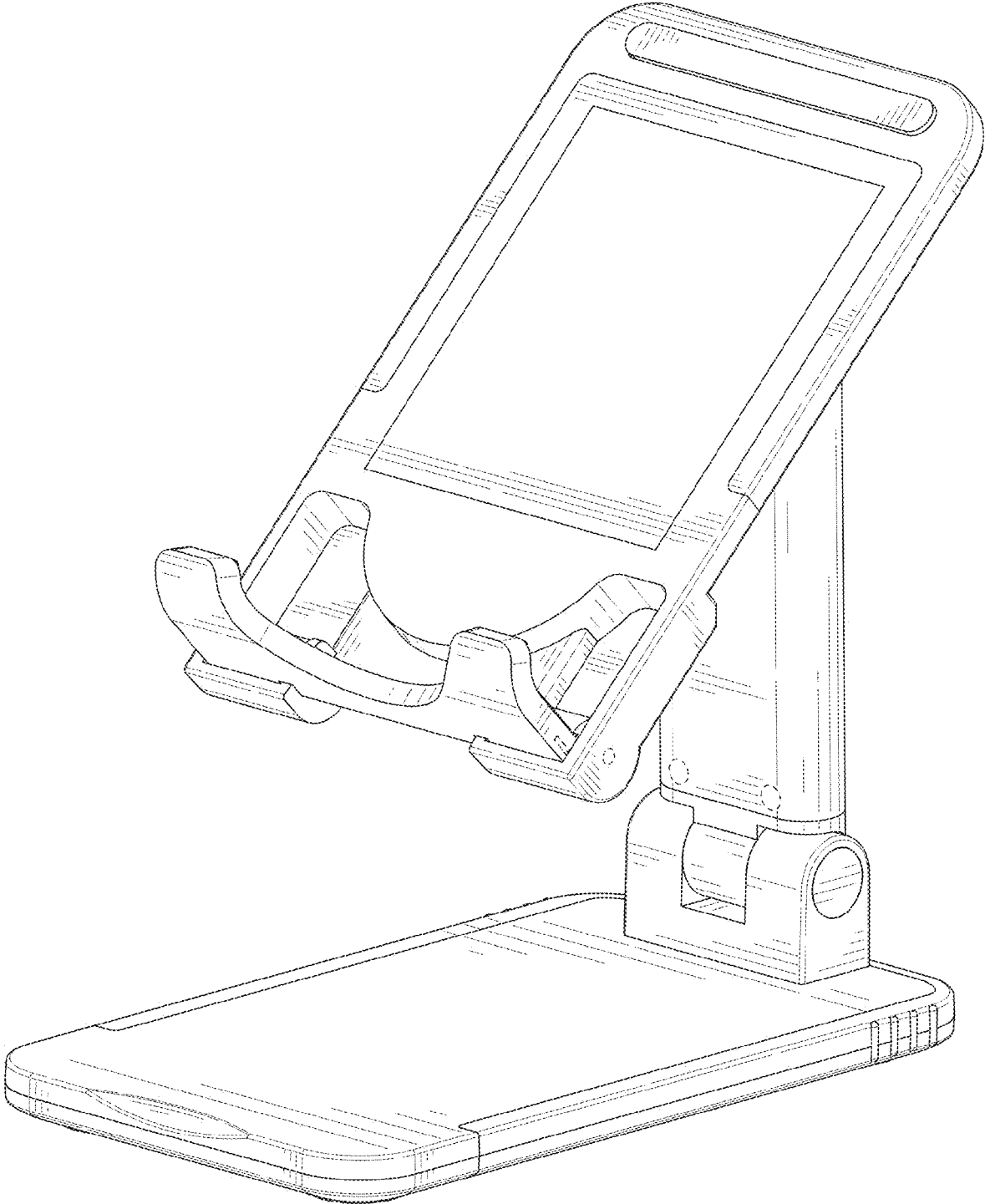


FIG. 1

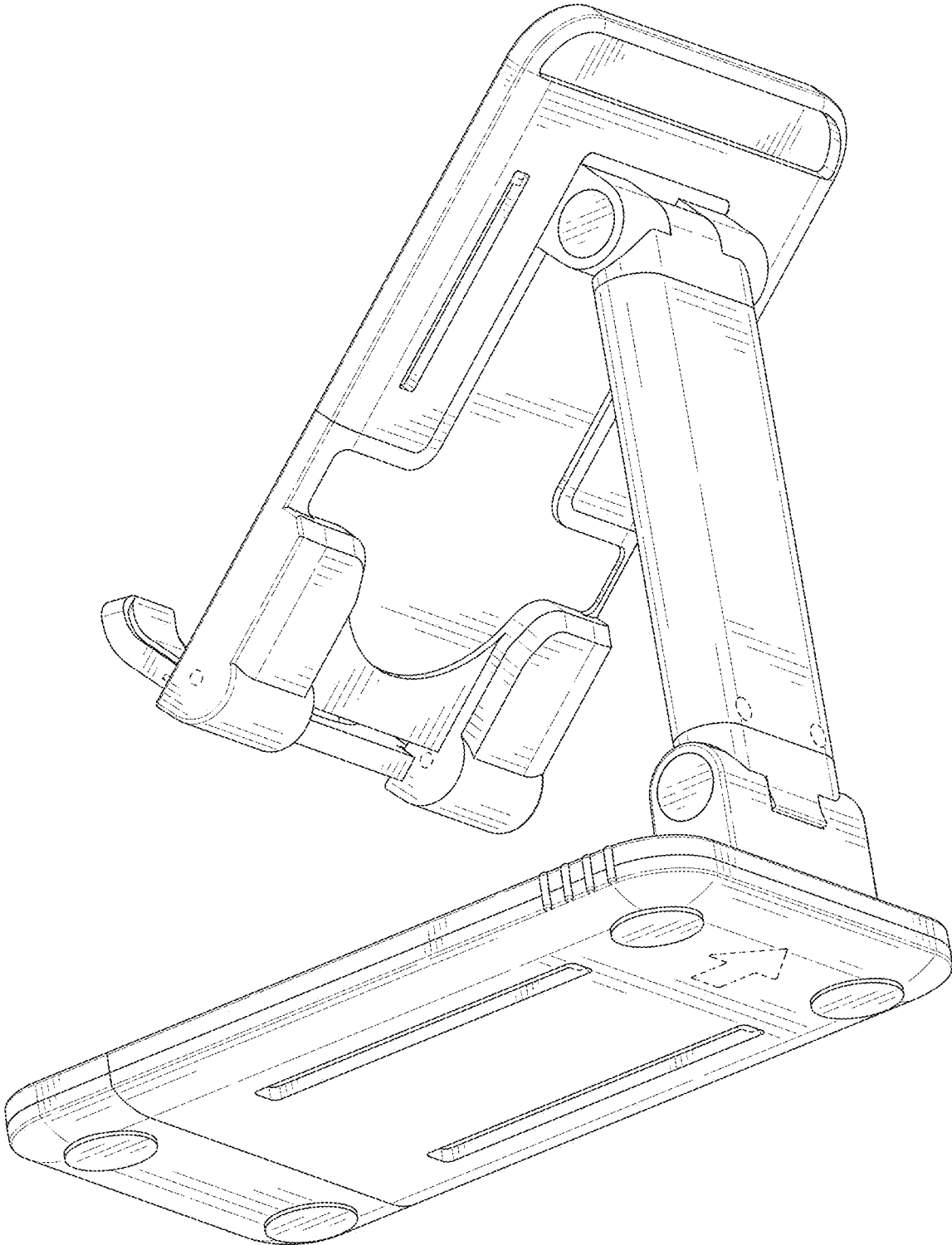


FIG. 2

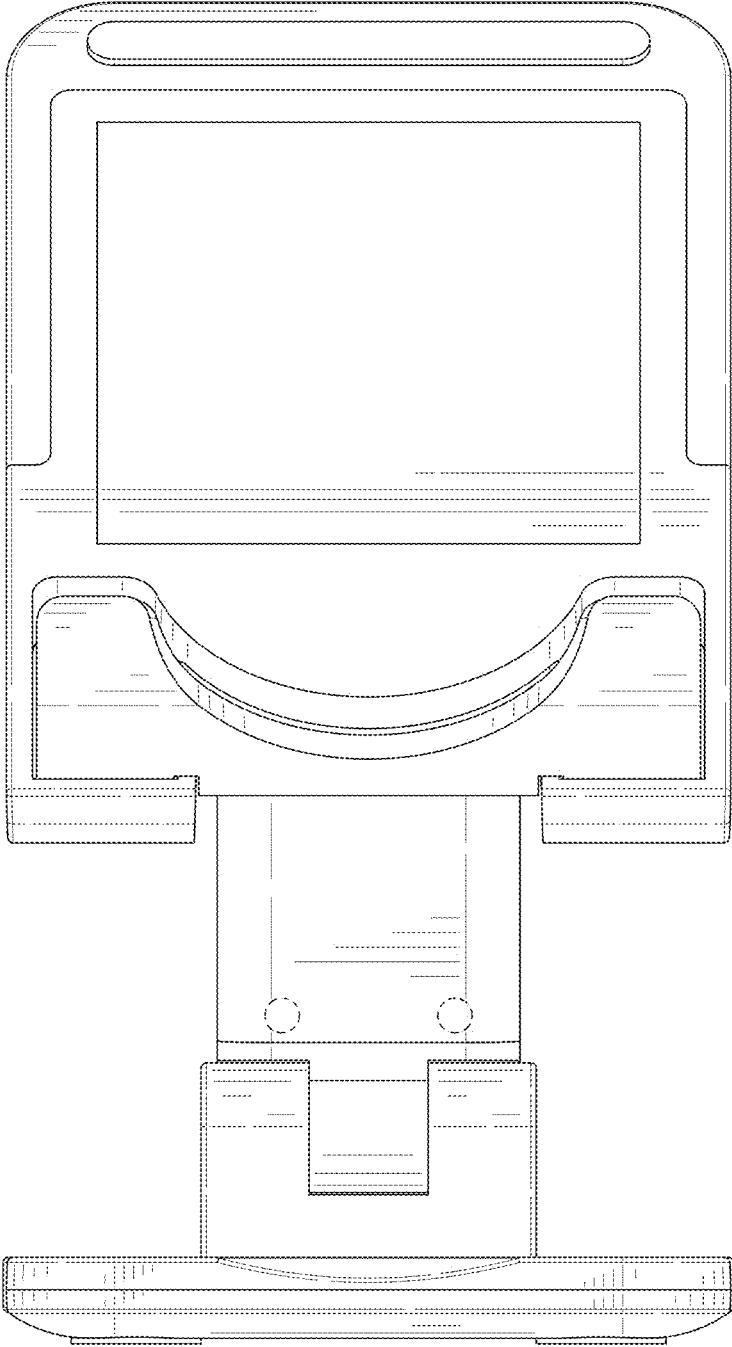


FIG. 3

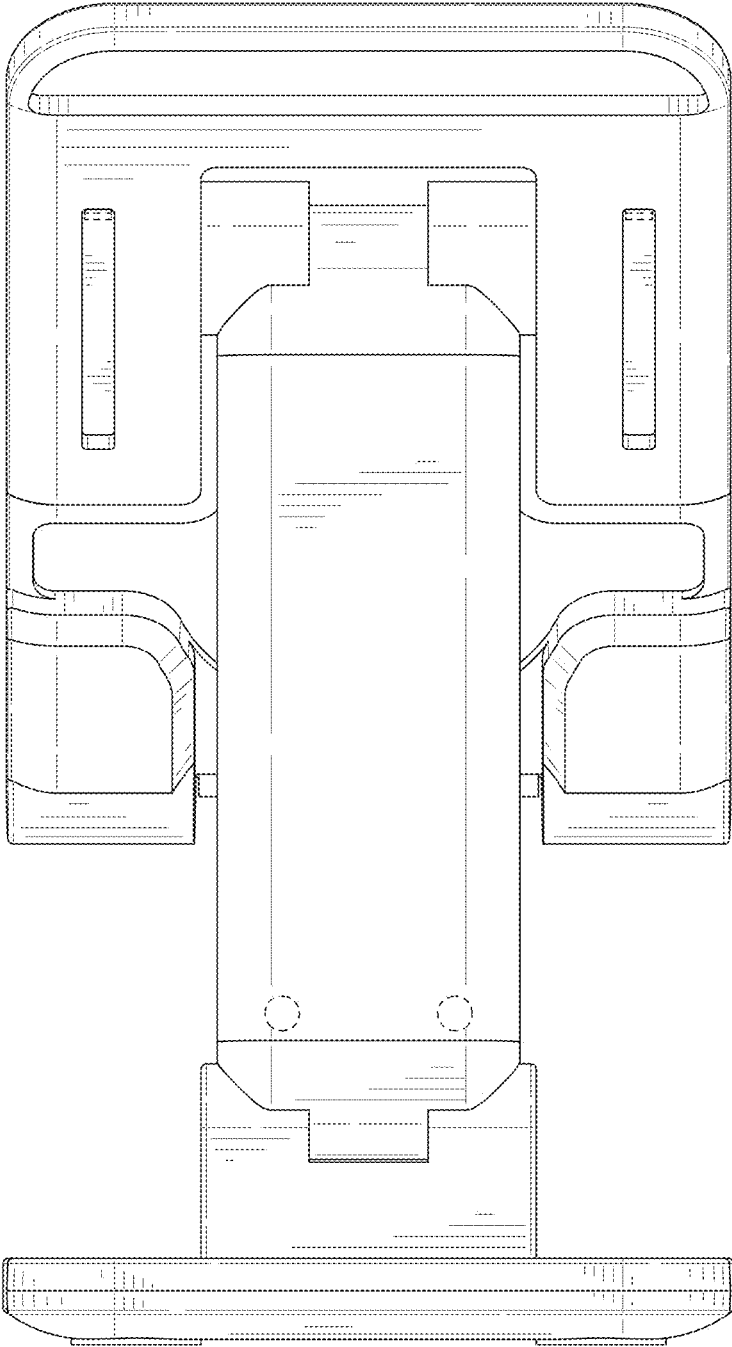


FIG. 4

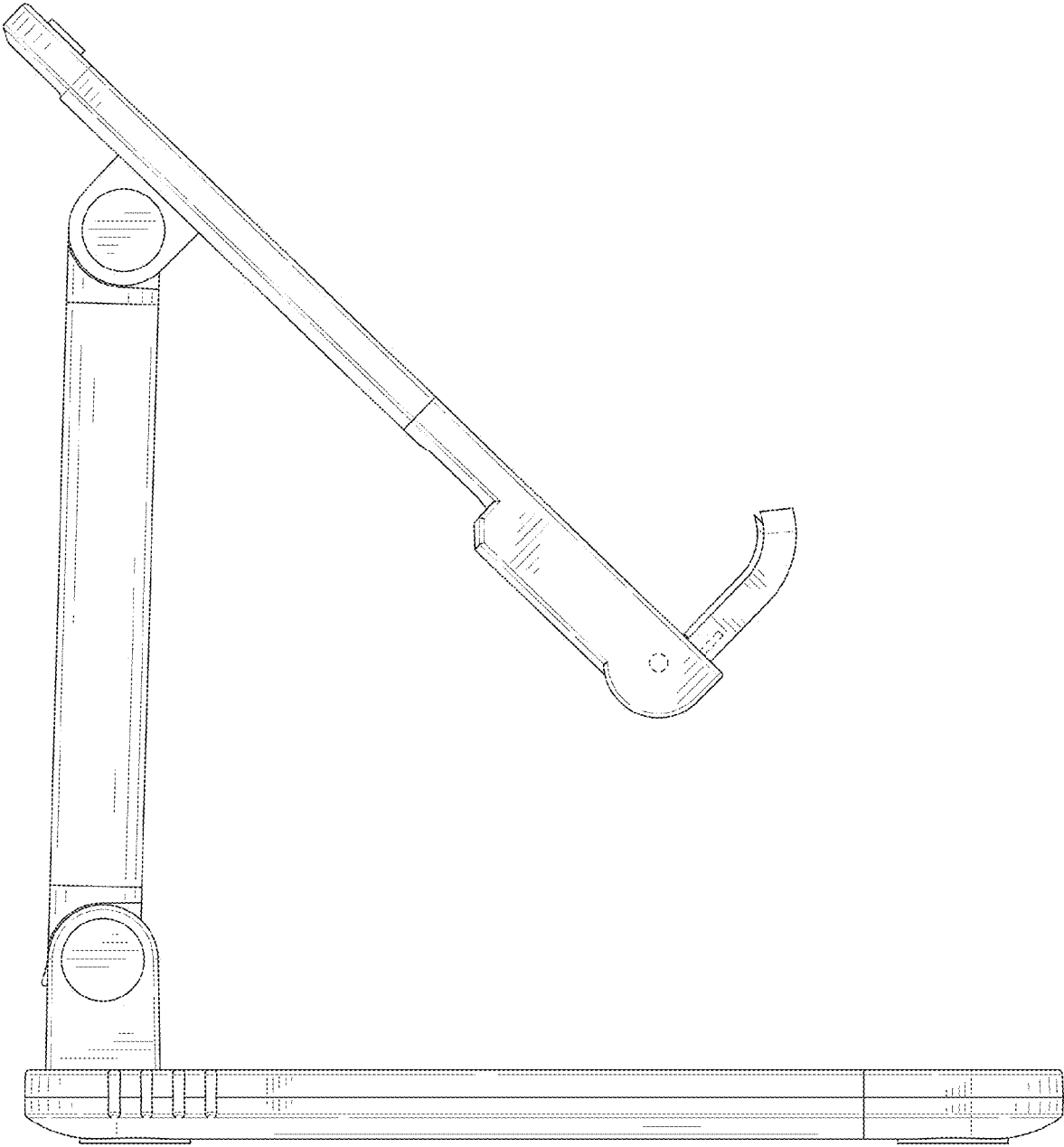


FIG. 5

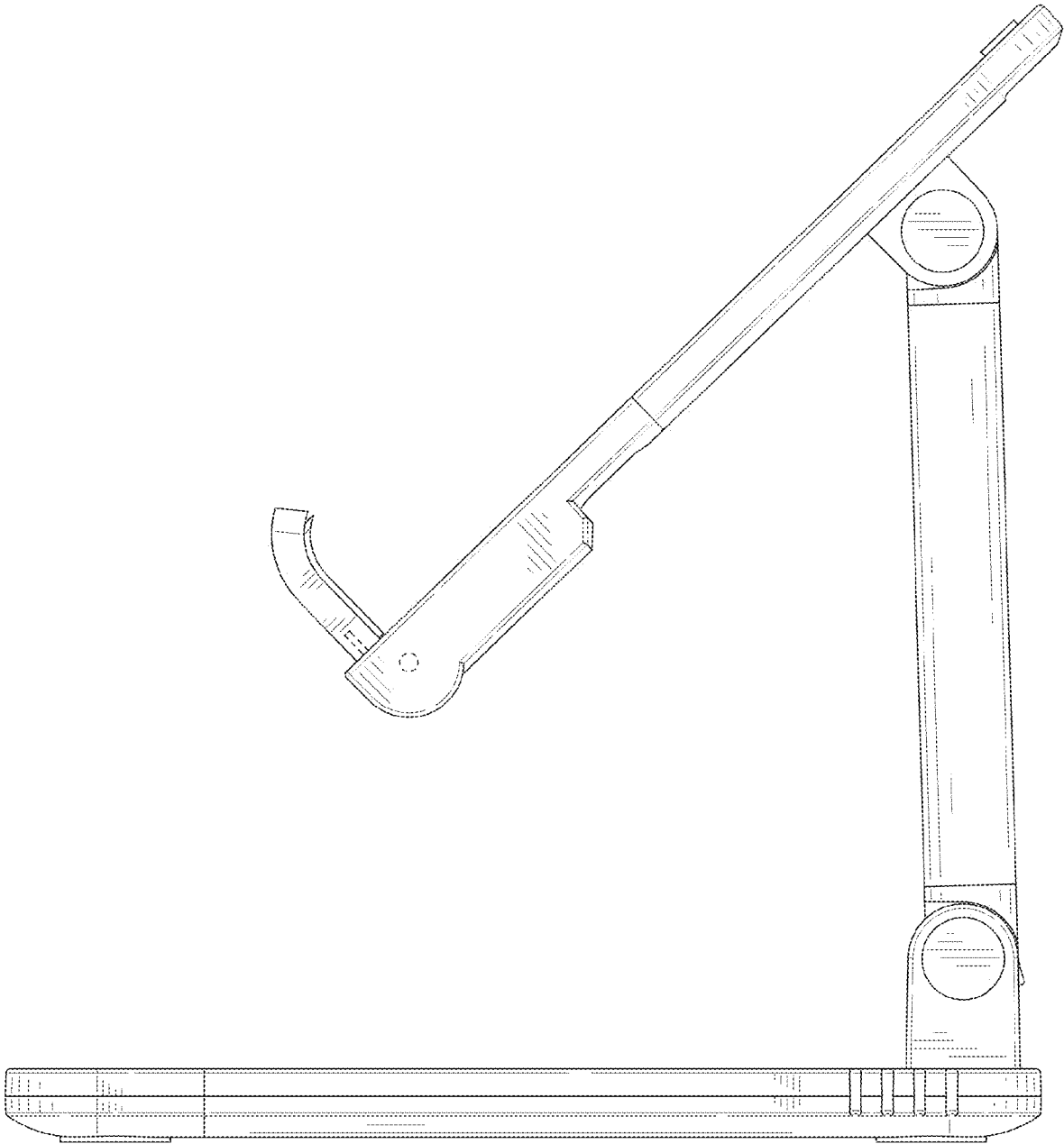


FIG. 6

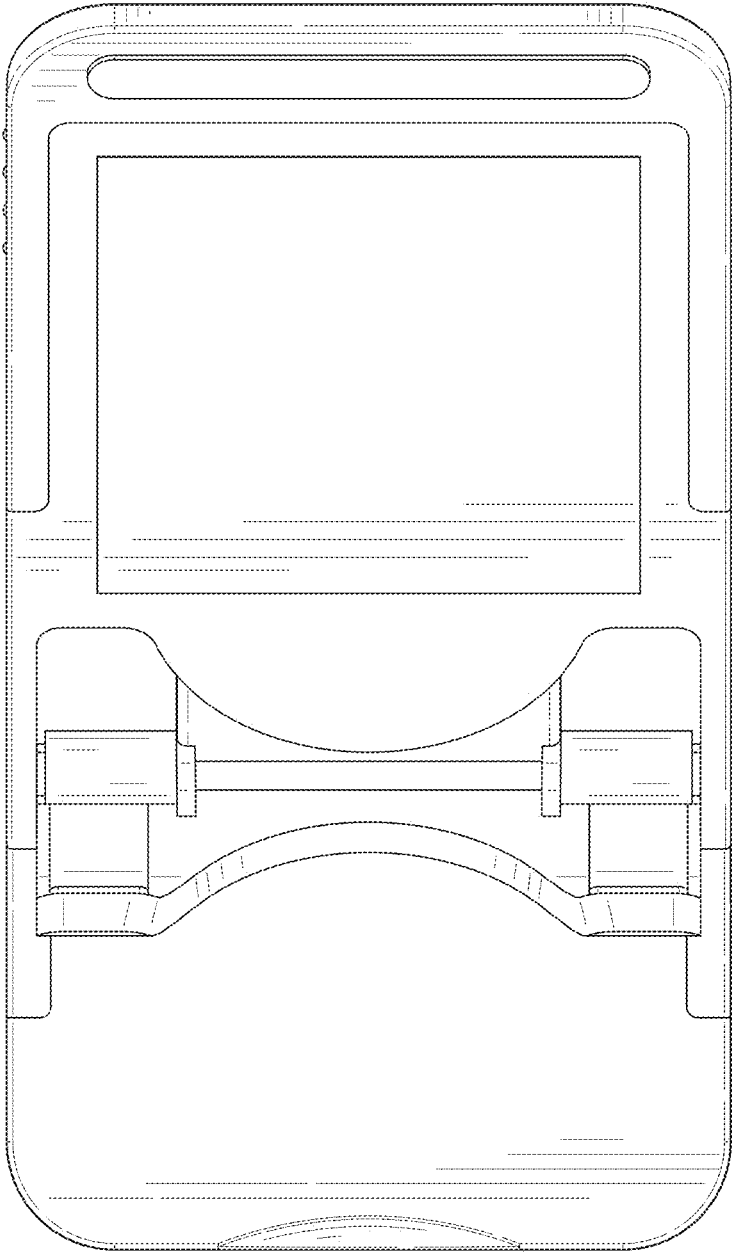


FIG. 7

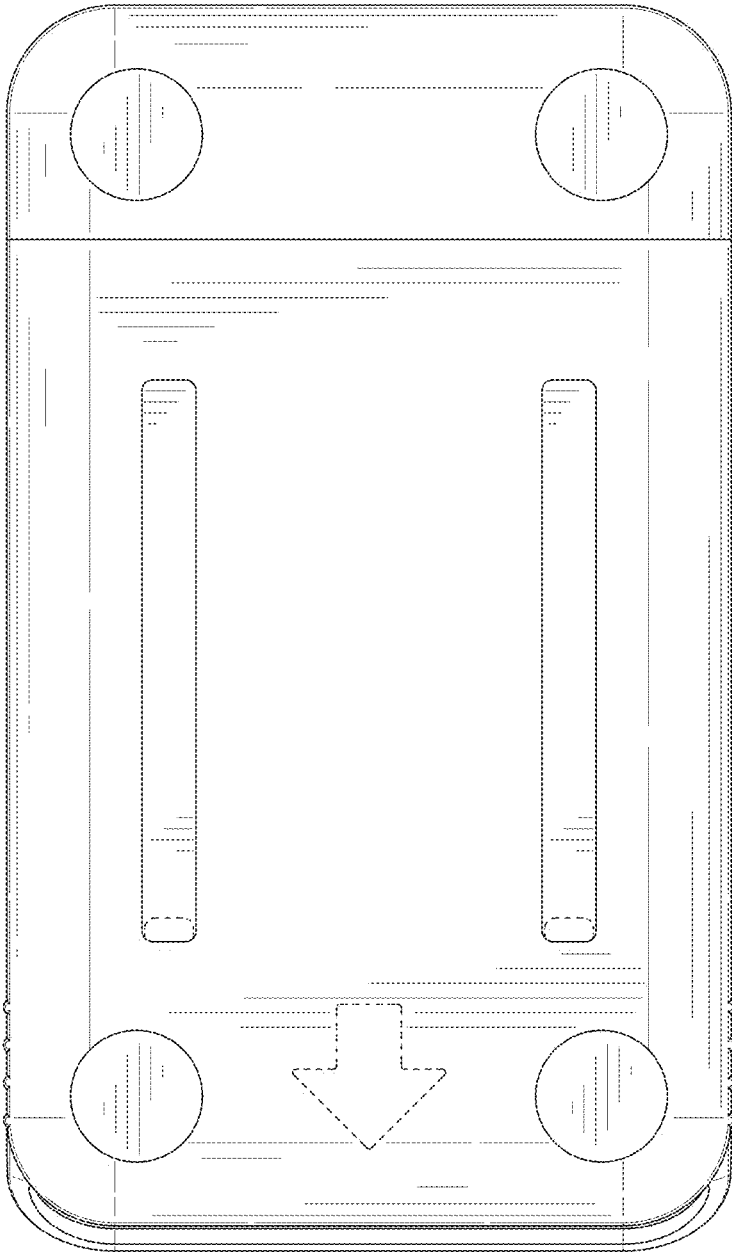


FIG. 8

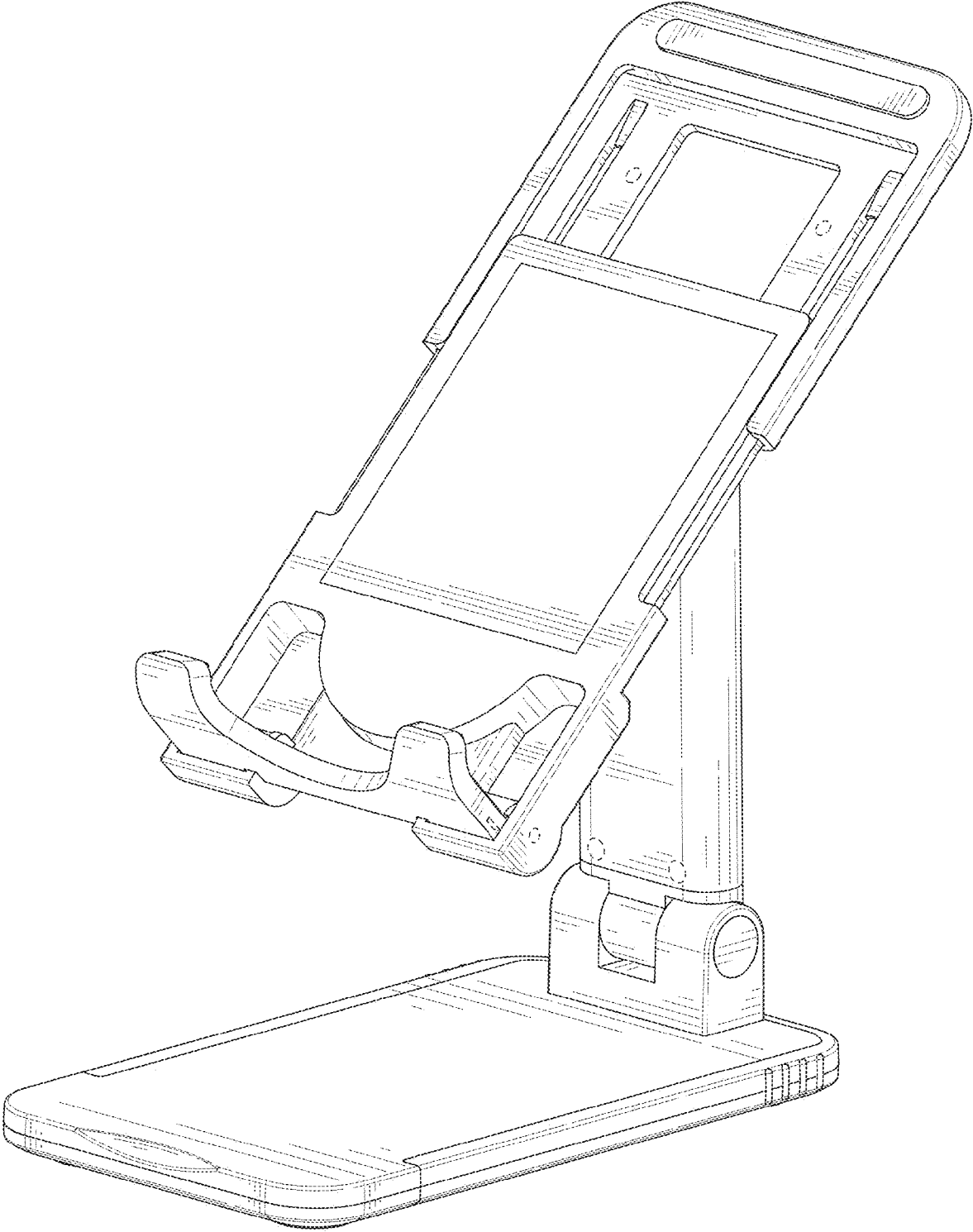


FIG. 9

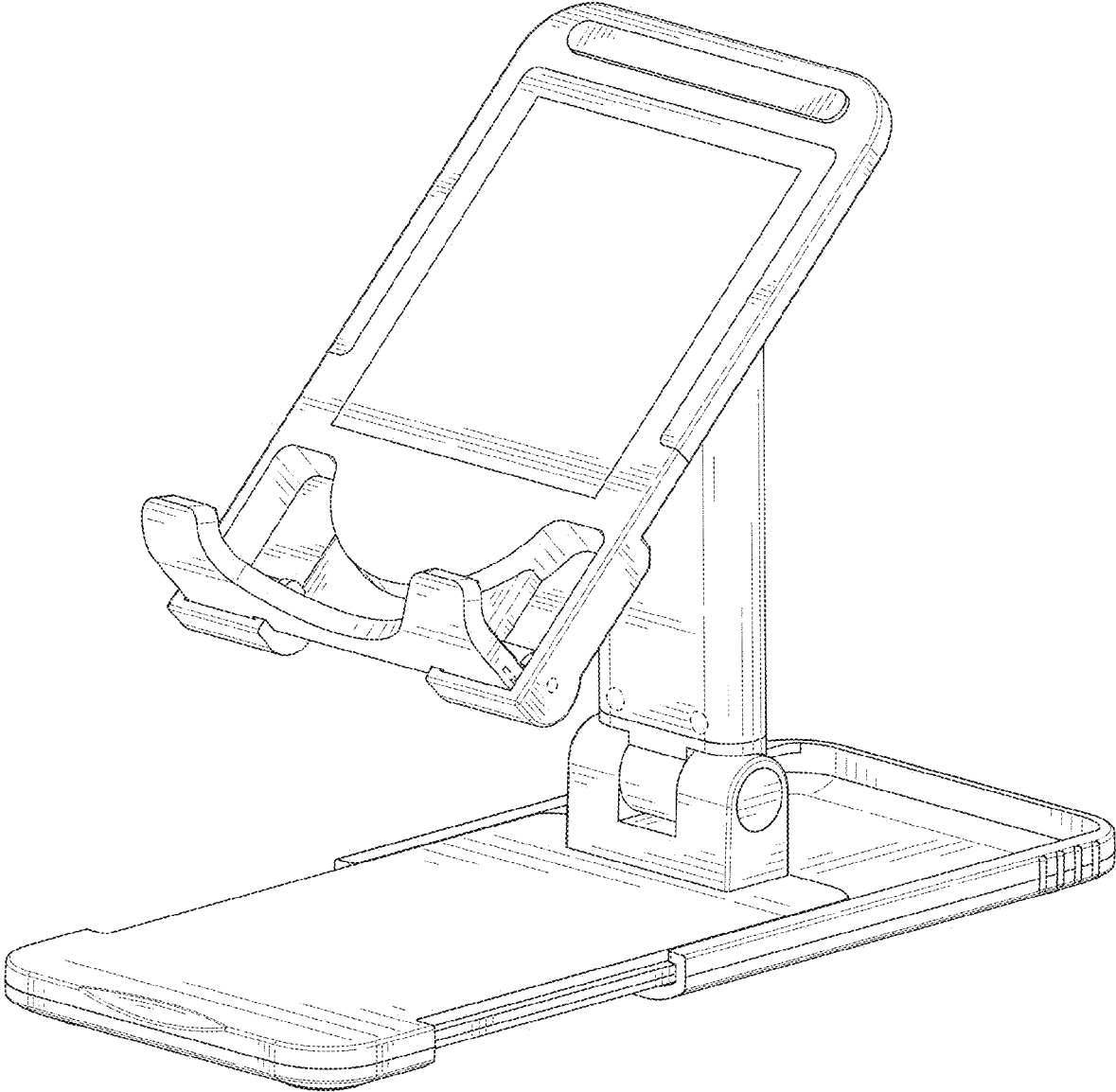


FIG. 10

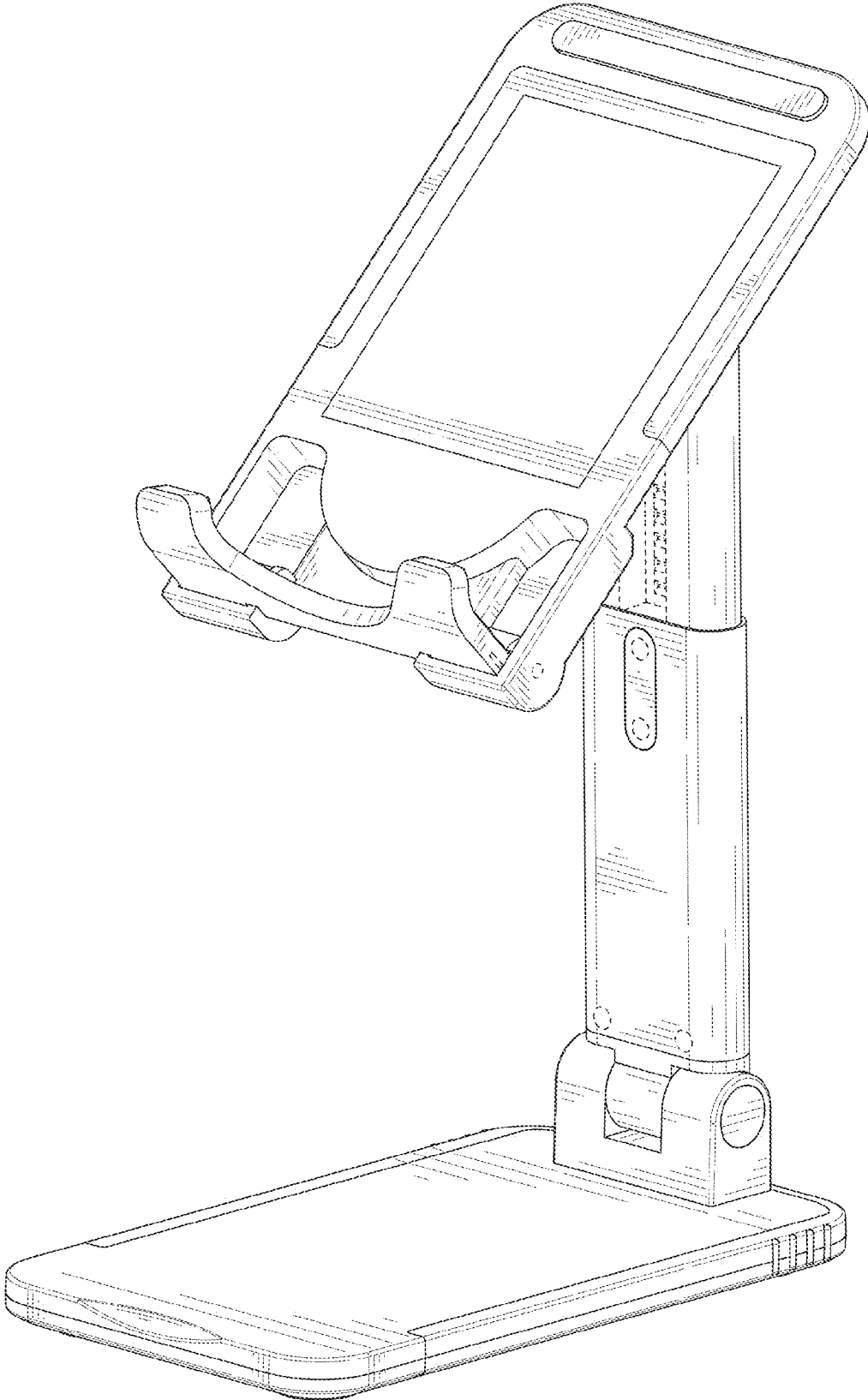


FIG. 11

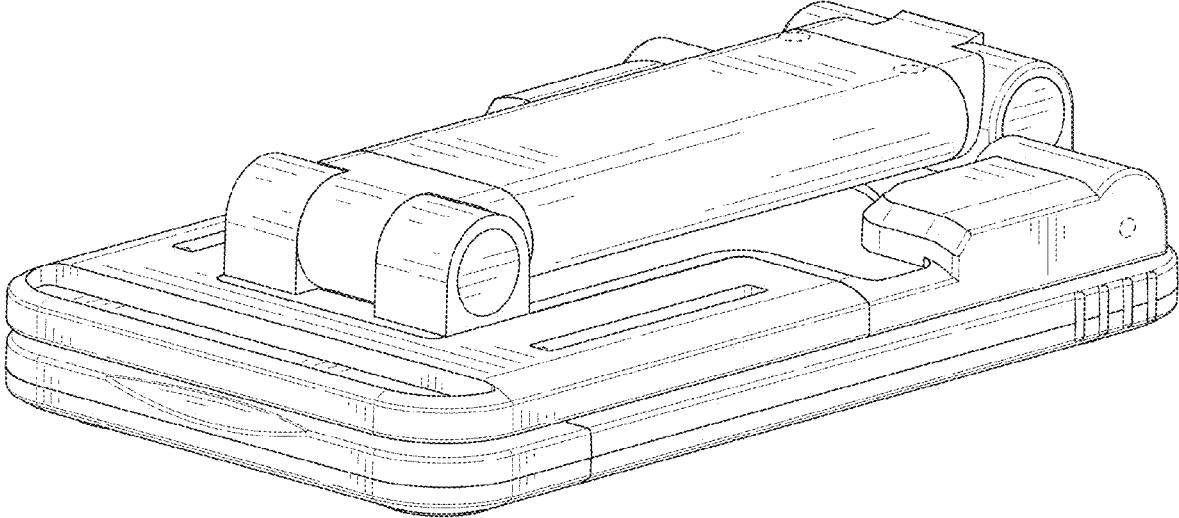


FIG. 12