

[54] SHIELD FOR FACE MASK

[76] Inventor: Sidney Friedman, 3388 Ocean Harbor Dr., Oceanside, N.Y. 11572

[**] Term: 14 Years

[21] Appl. No.: 118,649

[22] Filed: Nov. 9, 1987

[52] U.S. Cl. D29/17

[58] Field of Search D29/6-10, D29/12, 15-18; 2/8-12, 15, 206, 417-418, 424

[56] References Cited

U.S. PATENT DOCUMENTS

D. 199,931	12/1964	Kline	D29/16
D. 287,300	12/1986	Lonnstedt	D29/16
2,755,476	7/1956	Bowers, Sr.	2/8
2,829,374	4/1958	Malcom, Jr.	D29/8

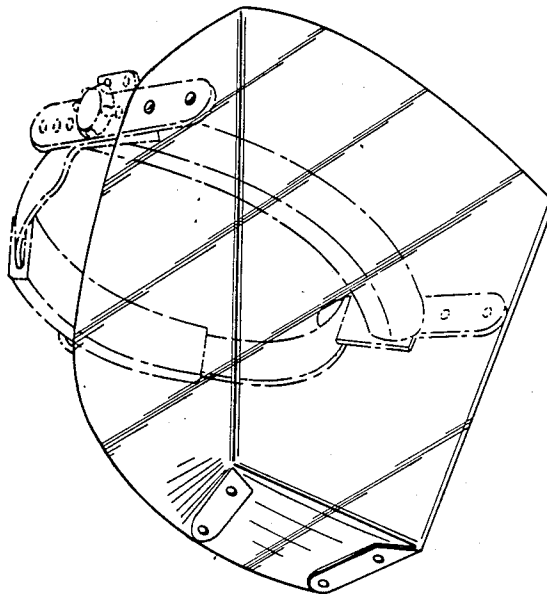
Primary Examiner—A. Hugo Word
Assistant Examiner—Ruth McInroy
Attorney, Agent, or Firm—James & Franklin

[57] CLAIM

The ornamental design for a shield for face mask, as shown and described.

DESCRIPTION

FIG. 1 is a bottom, front and side isometric view of a shield for face mask showing my new design;
FIG. 2 is a side elevational view thereof;
FIG. 3 is a front elevational view thereof;
FIG. 4 is a top plan view thereof;
FIG. 5 is a bottom plan view thereof; and
FIG. 6 is a rear elevational view thereof.
The head band shown in broken lines in FIGS. 1-6 is for illustrative purposes only and forms no part of the claimed design.



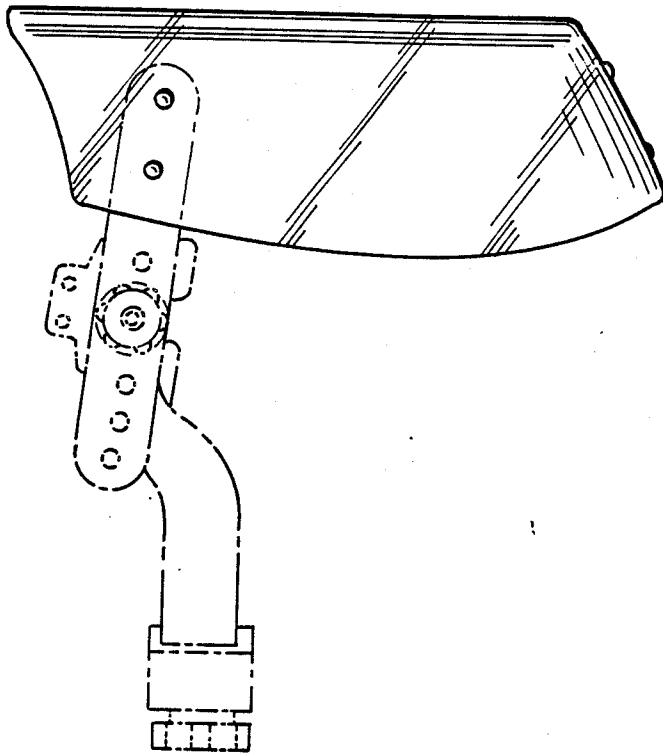


FIG. 2

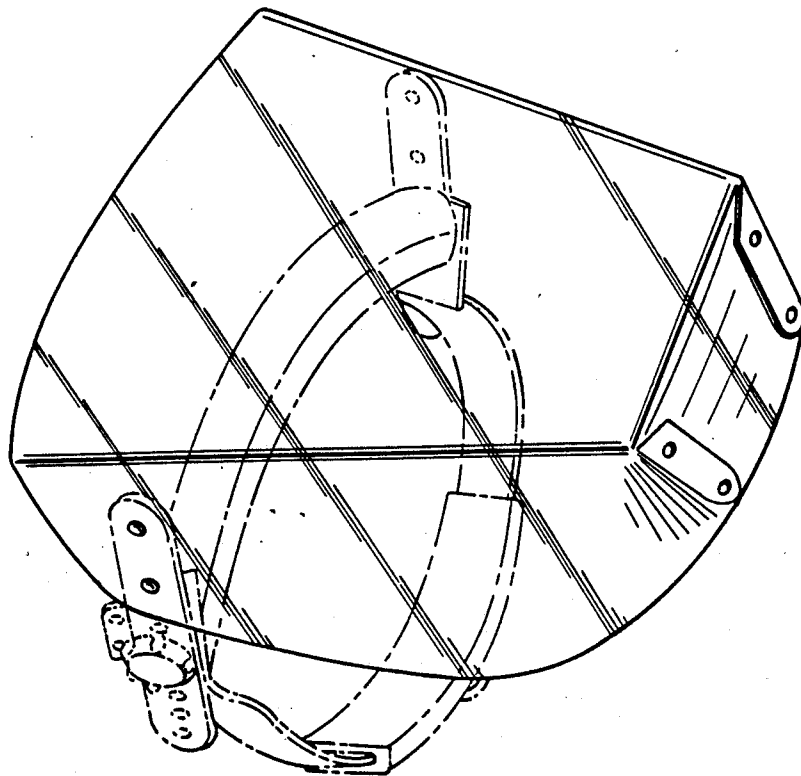


FIG. 1

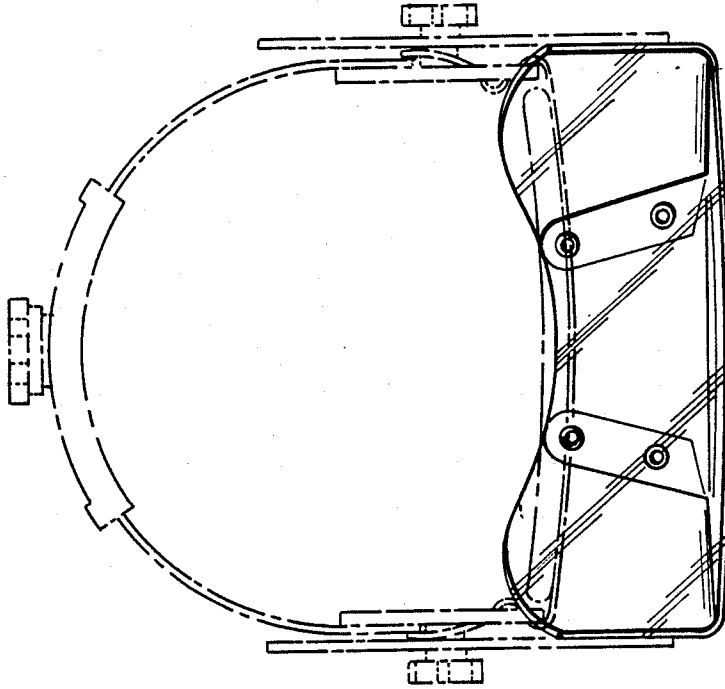


FIG. 4

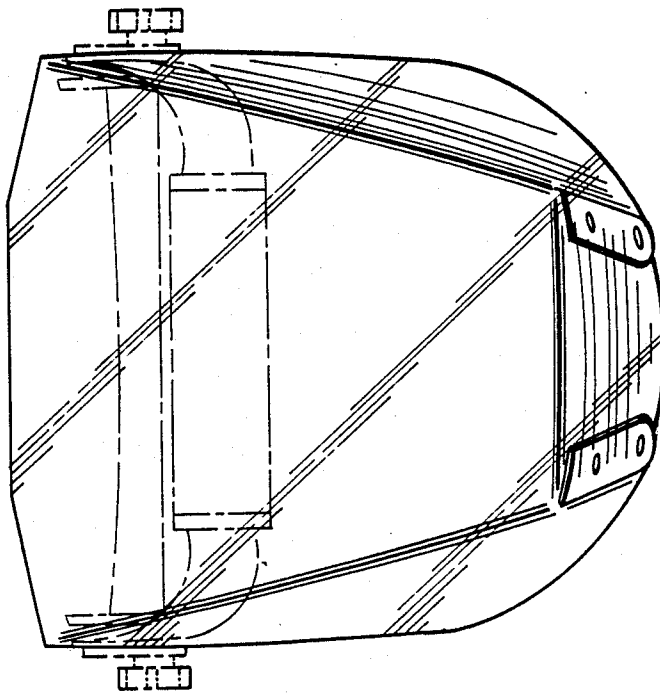


FIG. 3

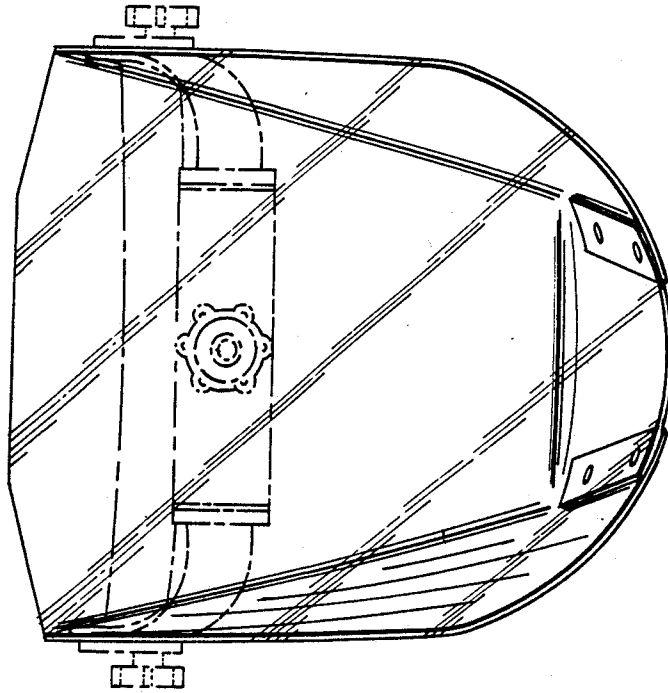


FIG. 6

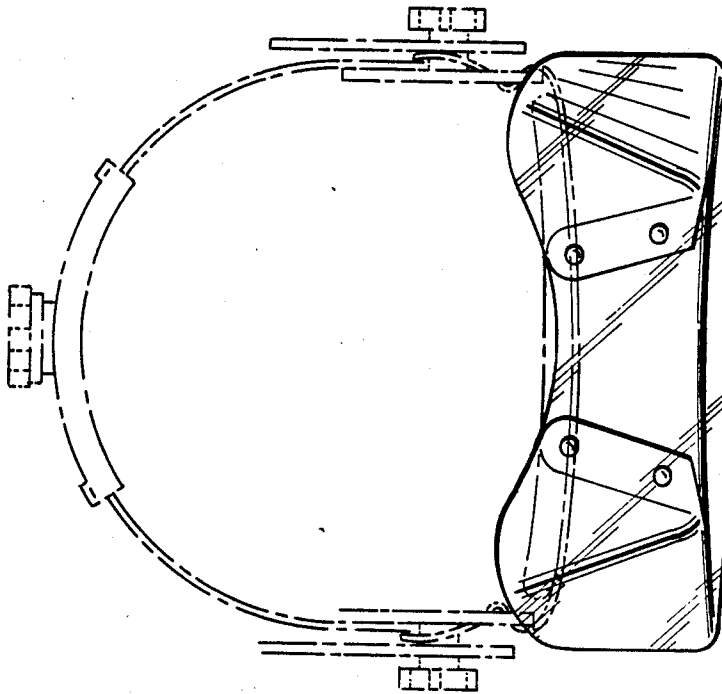


FIG. 5