



US00D423504S

# United States Patent [19]

[11] Patent Number: **Des. 423,504**

Nishii et al.

[45] Date of Patent: **\*\* Apr. 25, 2000**

[54] **PAGER**

D. 375,099	10/1996	Khoo .....	D14/191
D. 378,920	4/1997	Kurcbart et al. ....	D14/191
D. 388,089	12/1997	Komamiya et al. ....	D14/191

[75] Inventors: **Hiroki Nishii; Katsumi Nagano**, both of Kanagawa; **Morio Iwasaki**, Tokyo, all of Japan

### FOREIGN PATENT DOCUMENTS

1024807 11/1998 Japan .

[73] Assignee: **Matsushita Electric Industrial Co., Ltd.**, Japan

*Primary Examiner*—Nanda Bondade  
*Attorney, Agent, or Firm*—Saidman DesignLaw Group

[\*\*] Term: **14 Years**

### [57] CLAIM

[21] Appl. No.: **29/107,798**

The ornamental design for a pager, as shown and described.

[22] Filed: **Jul. 14, 1999**

### DESCRIPTION

### [30] Foreign Application Priority Data

Mar. 30, 1999 [JP] Japan ..... 11-8321

FIG. 1 is a perspective view of the top, front and left side of a pager showing our new design;

[51] **LOC (6) Cl.** ..... **14-03**

FIG. 2 is a front view thereof;

[52] **U.S. Cl.** ..... **D14/191**

FIG. 3 is a top view thereof;

[58] **Field of Search** ..... D14/124, 188,

D14/191, 192; 340/311.1; 455/92, 100, 128, 344

FIG. 4 is a left side view thereof;

FIG. 5 is a right side view thereof;

FIG. 6 is a rear view thereof; and,

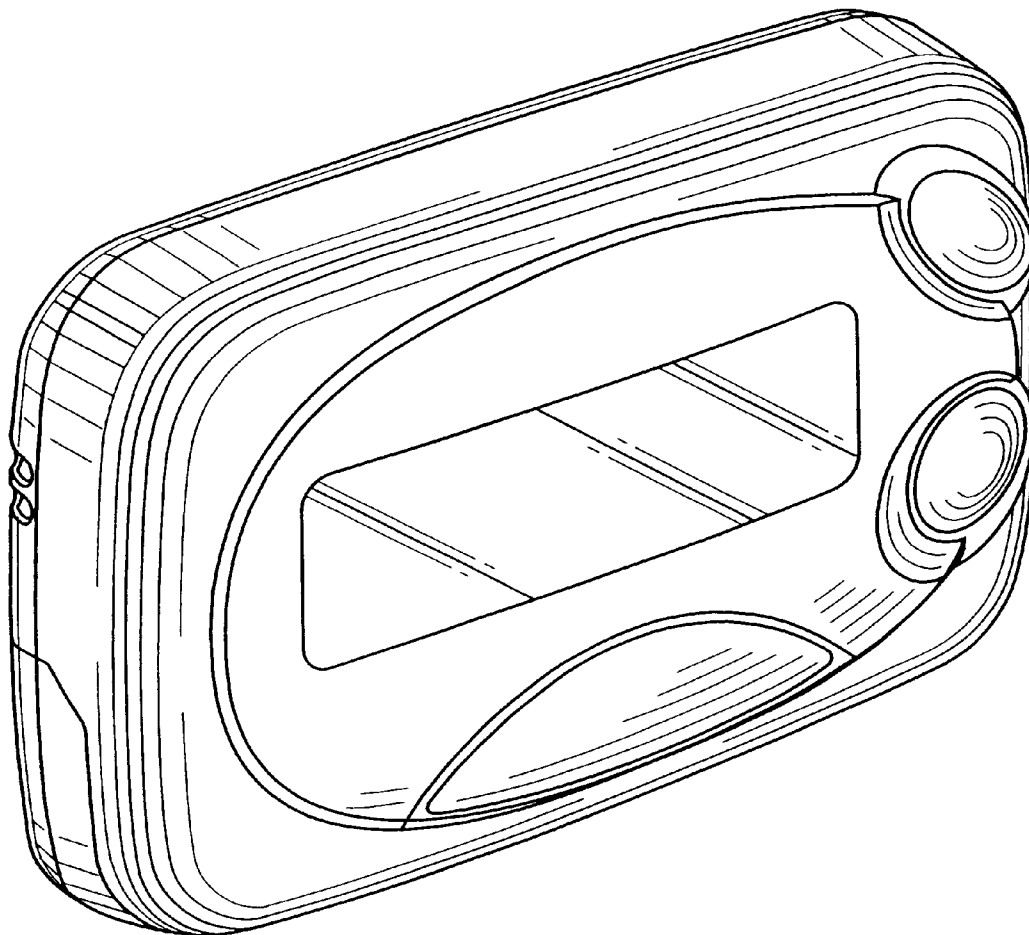
FIG. 7 is a bottom view thereof.

### [56] References Cited

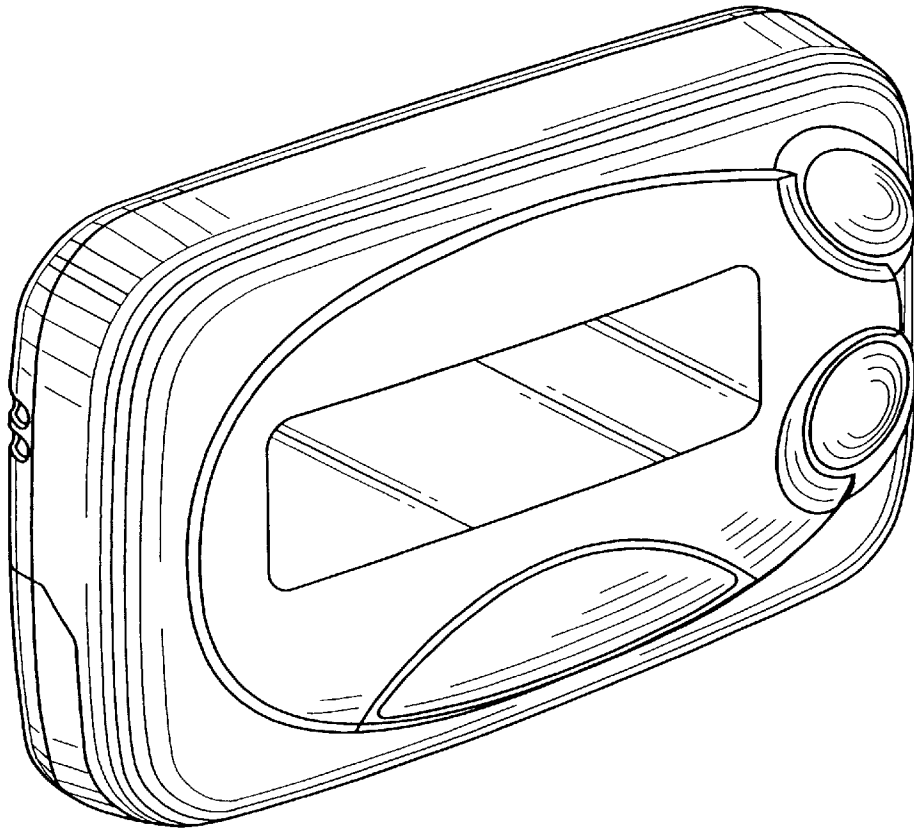
#### U.S. PATENT DOCUMENTS

D. 371,131 6/1996 Chan et al. .... D14/191

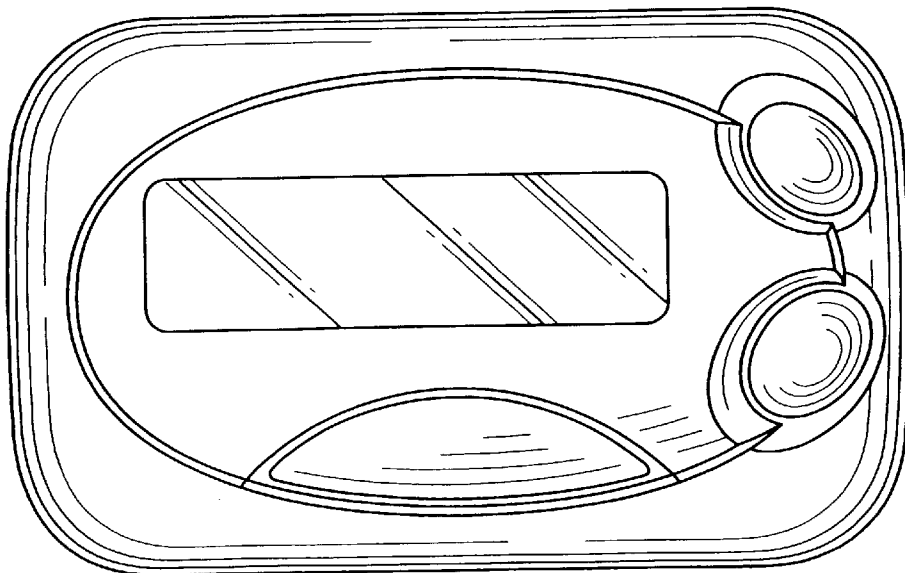
**1 Claim, 3 Drawing Sheets**



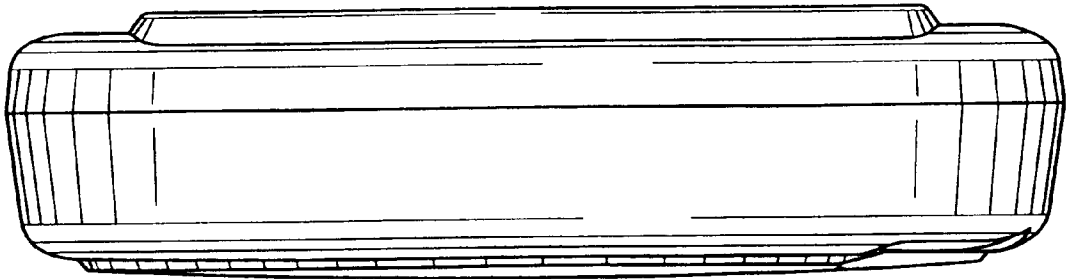
*FIG. 1*



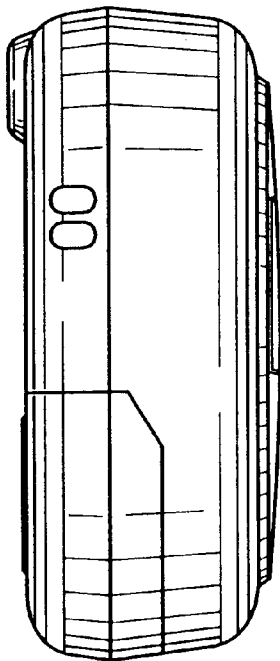
*FIG. 2*



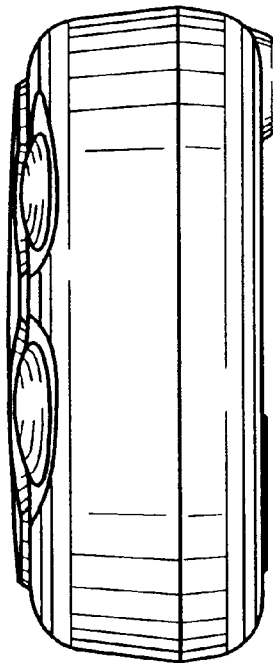
*FIG. 3*



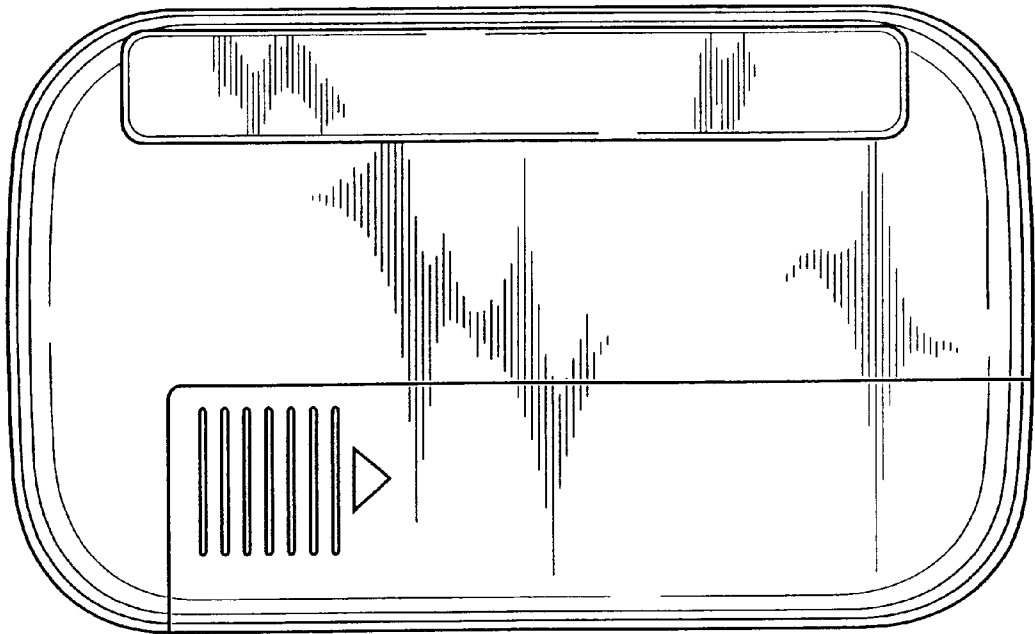
*FIG. 4*



*FIG. 5*



*FIG. 6*



*FIG. 7*

