



US00D547346S

(12) **United States Design Patent**  
**Ollila**

(10) **Patent No.:** **US D547,346 S**

(45) **Date of Patent:** **\*\* Jul. 24, 2007**

(54) **CAMERA**

(75) Inventor: **David J. Ollila**, Marquette, MI (US)

(73) Assignee: **V.I.O., Inc.**, Marquette, MI (US)

(\*\*) Term: **14 Years**

(21) Appl. No.: **29/248,221**

(22) Filed: **Aug. 3, 2006**

**Related U.S. Application Data**

(60) Division of application No. 11/239,896, filed on Sep. 30, 2005, which is a continuation-in-part of application No. 10/796,356, filed on Mar. 9, 2004.

(51) **LOC (8) CL.** ..... **16-01**

(52) **U.S. CL.** ..... **D16/203; D16/242**

(58) **Field of Classification Search** ..... **D16/200–205, D16/208, 218, 242; 348/143, 151, 373–376; 358/906; 396/419, 427, 535–541**

See application file for complete search history.

(56) **References Cited**

**U.S. PATENT DOCUMENTS**

4,097,893 A	6/1978	Camras	
4,135,241 A	1/1979	Stanis et al.	
D258,444 S *	3/1981	Mineshima	D16/218
4,344,092 A *	8/1982	Miller	348/373
4,547,815 A	10/1985	Kimura	
4,605,959 A	8/1986	Colbaugh	
4,701,797 A	10/1987	Ferreira	
4,768,090 A *	8/1988	Camps et al.	348/143
4,786,966 A	11/1988	Hanson et al.	
4,789,235 A	12/1988	Borah et al.	
4,792,223 A	12/1988	Axelbaum	
RE33,054 E	9/1989	Markham	
4,867,550 A	9/1989	Jannard	
4,884,137 A	11/1989	Hanson et al.	
4,970,589 A	11/1990	Hanson et al.	
5,005,213 A	4/1991	Hanson et al.	
5,033,818 A	7/1991	Barr	

5,054,903 A	10/1991	Jannard et al.
5,137,342 A	8/1992	Jannard et al.
5,172,256 A	12/1992	Sethofer et al.
5,189,512 A	2/1993	Cameron et al.
5,193,000 A	3/1993	Lipton et al.
5,200,827 A	4/1993	Hanson et al.
5,208,614 A	5/1993	Jannard
5,249,001 A	9/1993	Jannard
5,353,378 A	10/1994	Hoffman et al.
5,387,949 A	2/1995	Tackles
5,414,544 A	5/1995	Aoyagi et al.
5,424,556 A	6/1995	Symosek et al.
5,446,507 A	8/1995	Chang
5,455,637 A	10/1995	Kallman et al.
5,455,638 A	10/1995	Kallman et al.
5,508,737 A	4/1996	Lang
5,512,396 A	4/1996	Hicks
5,513,129 A	4/1996	Bolas et al.
5,543,816 A	8/1996	Heacock
5,550,599 A	8/1996	Jannard
5,583,571 A	12/1996	Friedland
5,594,498 A	1/1997	Fraleay

(Continued)

*Primary Examiner*—Adir Aronovich

(74) *Attorney, Agent, or Firm*—Dobrusin & Thennisch PC

(57) **CLAIM**

The ornamental design for a camera, as shown and described.

**DESCRIPTION**

FIG. 1 is a perspective view illustrating the camera of the present invention;

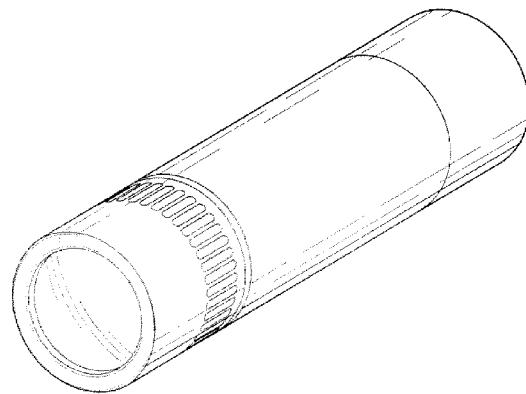
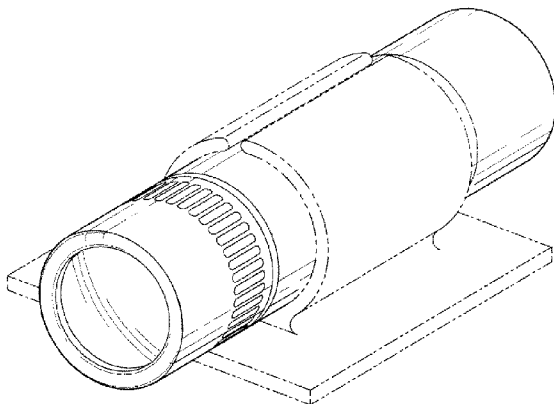
FIG. 2 is another perspective view of the camera;

FIG. 3 is a top view thereof; and,

FIG. 4 is front view of the camera.

The broken line showing of a mount for a camera is included to illustrate environment only and forms no part of the claimed design.

**1 Claim, 2 Drawing Sheets**



US D547,346 S

U.S. PATENT DOCUMENTS						
			6,862,087	B2	3/2005	Kuroda et al.
			6,879,443	B2	4/2005	Spitzer et al.
5,598,208	A	1/1997	D506,215	S *	6/2005	Lin et al. .... D16/218
D378,095	S *	2/1997	D510,374	S *	10/2005	Greenwood et al. .... D16/203
5,616,030	A	4/1997	D528,576	S *	9/2006	Chung et al. .... D16/202
5,638,145	A	6/1997	2001/0001570	A1	5/2001	Houston et al.
5,648,832	A	7/1997	2001/0028309	A1	10/2001	Torch
5,708,489	A	1/1998	2001/0038491	A1	11/2001	Ferguson
5,712,732	A	1/1998	2001/0043266	A1	11/2001	Robinson et al.
D392,300	S *	3/1998	2002/0013698	A1	1/2002	Vaudrey et al.
5,757,339	A	5/1998	2002/0015233	A1	2/2002	Park
5,760,868	A	6/1998	2002/0039170	A1	4/2002	Jannard et al.
5,774,201	A	6/1998	2002/0044361	A1	4/2002	Scott et al.
5,777,715	A	7/1998	2002/0084990	A1	7/2002	Peterson, III
5,805,261	A	9/1998	2002/0089589	A1	7/2002	Adair et al.
5,835,185	A	11/1998	2002/0101510	A1	8/2002	Basson et al.
5,853,005	A	12/1998	2002/0122353	A1	9/2002	Polany et al.
5,867,210	A	2/1999	2002/0135734	A1	9/2002	Reichow et al.
5,869,323	A	2/1999	2002/0140901	A1	10/2002	Reichow et al.
H1790	H	3/1999	2002/0159023	A1	10/2002	Swab
5,886,822	A	3/1999	2002/0163578	A1	11/2002	Adair et al.
5,926,318	A	7/1999	2002/0171940	A1	11/2002	He et al.
5,954,507	A	9/1999	2002/0175897	A1	11/2002	Pelosi
5,997,138	A	12/1999	2002/0180867	A1	12/2002	Adair et al.
6,009,564	A	1/2000	2002/0196554	A1	12/2002	Cobb et al.
6,010,217	A	1/2000	2003/0020807	A1	1/2003	Khoshnevis et al.
6,023,372	A	2/2000	2003/0067585	A1	4/2003	Miller et al.
6,055,450	A	4/2000	2003/0068057	A1	4/2003	Miller et al.
6,057,966	A	5/2000	2003/0090439	A1	5/2003	Spitzer et al.
6,091,546	A	7/2000	2003/0122958	A1 *	7/2003	Olita et al. .... 348/373
6,091,832	A	7/2000	2003/0125629	A1	7/2003	Ustuner
D430,888	S *	9/2000	2003/0156188	A1	8/2003	Abrams, Jr.
6,176,576	B1	1/2001	2003/0164819	A1	9/2003	Waibel
6,204,974	B1	3/2001	2003/0169397	A1	9/2003	Reichow et al.
6,211,848	B1	4/2001	2003/0169494	A1	9/2003	Porter et al.
6,219,186	B1	4/2001	2003/0184868	A1	10/2003	Geist
6,224,387	B1	5/2001	2004/0000733	A1	1/2004	Swab et al.
6,292,213	B1	9/2001	2004/0029582	A1	2/2004	Swab et al.
6,292,222	B1 *	9/2001	2004/0030753	A1	2/2004	Horvitz
6,311,155	B1	10/2001	2004/0068371	A1	4/2004	Estep
6,325,507	B1	12/2001	2004/0086838	A1	5/2004	Dinis
6,333,757	B1	12/2001	2004/0119816	A1	6/2004	Swain
6,349,001	B1	2/2002	2004/0120219	A1	6/2004	Polany et al.
6,353,503	B1	3/2002	2004/0130614	A1	7/2004	Valliath et al.
6,356,392	B1	3/2002	2004/0156113	A1	8/2004	Buchanan, Jr.
6,384,982	B1	5/2002	2004/0157649	A1	8/2004	Jannard et al.
6,388,797	B1	5/2002	2004/0160571	A1	8/2004	Jannard et al.
6,417,797	B1	7/2002	2004/0160572	A1	8/2004	Jannard et al.
6,424,410	B1	7/2002	2004/0160573	A1	8/2004	Jannard et al.
6,456,432	B1	9/2002	2004/0183749	A1	9/2004	Vertegaal
6,483,646	B2	11/2002	2004/0186993	A1	9/2004	Risan et al.
6,487,012	B1	11/2002	2004/0205256	A1	10/2004	Hoffman et al.
6,493,136	B2	12/2002	2004/0212776	A1	10/2004	Spitzer et al.
6,517,353	B1	2/2003	2004/0212778	A1	10/2004	Velazquez
6,522,474	B2	2/2003	2004/0239481	A1	12/2004	Beenau et al.
6,563,532	B1	5/2003	2004/0239874	A1	12/2004	Swab et al.
6,580,563	B1	6/2003	2004/0242976	A1	12/2004	Abreu
6,614,408	B1	9/2003	2004/0252012	A1	12/2004	Beenau et al.
6,618,099	B1	9/2003	2004/0254998	A1	12/2004	Horvitz
D484,159	S *	12/2003	2004/0257197	A1	12/2004	Beenau et al.
6,729,726	B2	5/2004	2005/0013005	A1	1/2005	Rogers
6,731,326	B1	5/2004	2005/0018308	A1	1/2005	Cassarly et al.
6,739,873	B1	5/2004	2005/0033687	A1	2/2005	Beenau et al.
6,746,402	B2	6/2004	2005/0046789	A1	3/2005	Jannard et al.
6,752,498	B2	6/2004	2005/0046790	A1	3/2005	Jannard et al.
6,761,447	B1	7/2004	2005/0046791	A1	3/2005	Himmele
6,769,767	B2	8/2004	2005/0052343	A1	3/2005	Peterson, III
6,771,423	B2	8/2004	2005/0058962	A1	3/2005	Siemons et al.
6,795,226	B2	9/2004	2005/0078274	A1	4/2005	Howell et al.
6,798,391	B2	9/2004	2005/0078378	A1	4/2005	Geist
6,825,875	B1	11/2004				
6,844,980	B2	1/2005				

\* cited by examiner

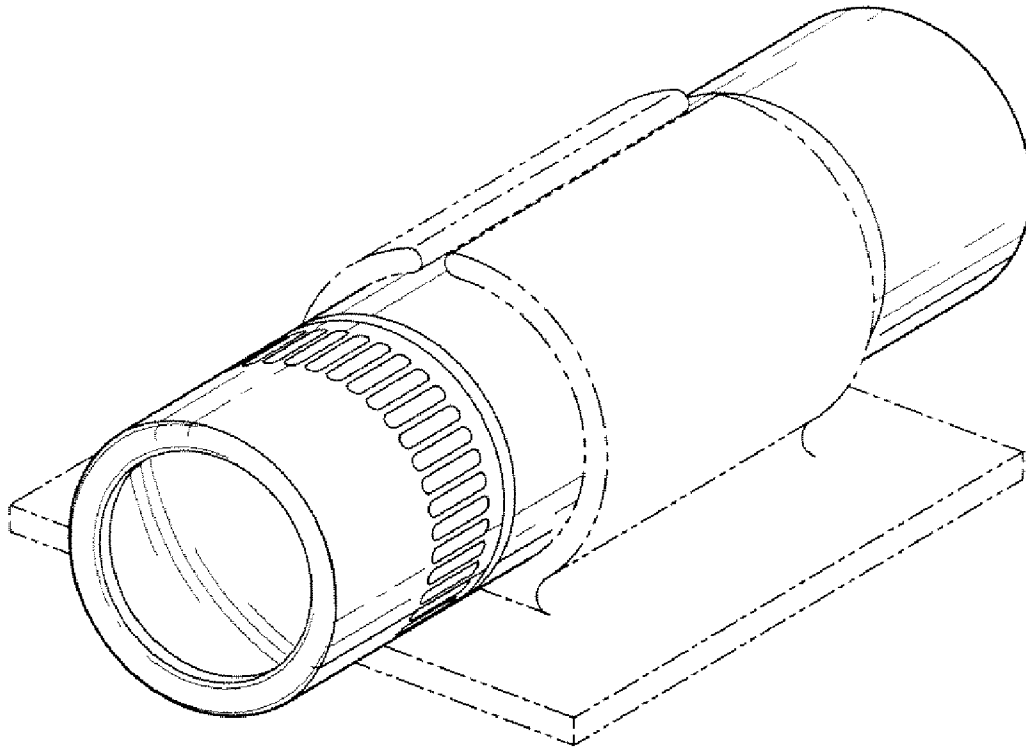


Fig-1

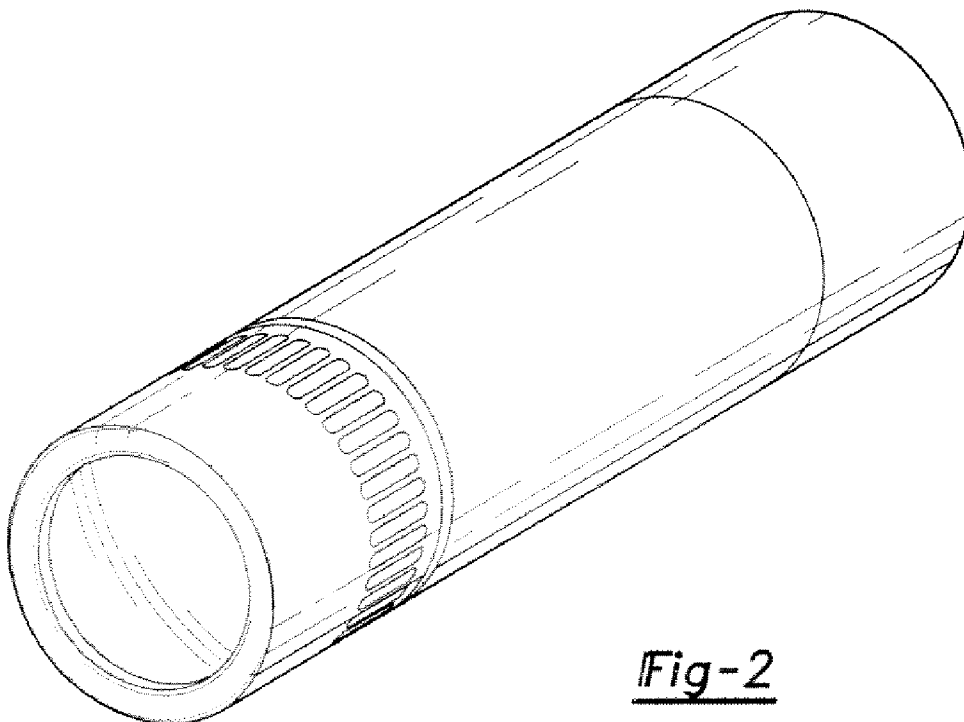


Fig-2

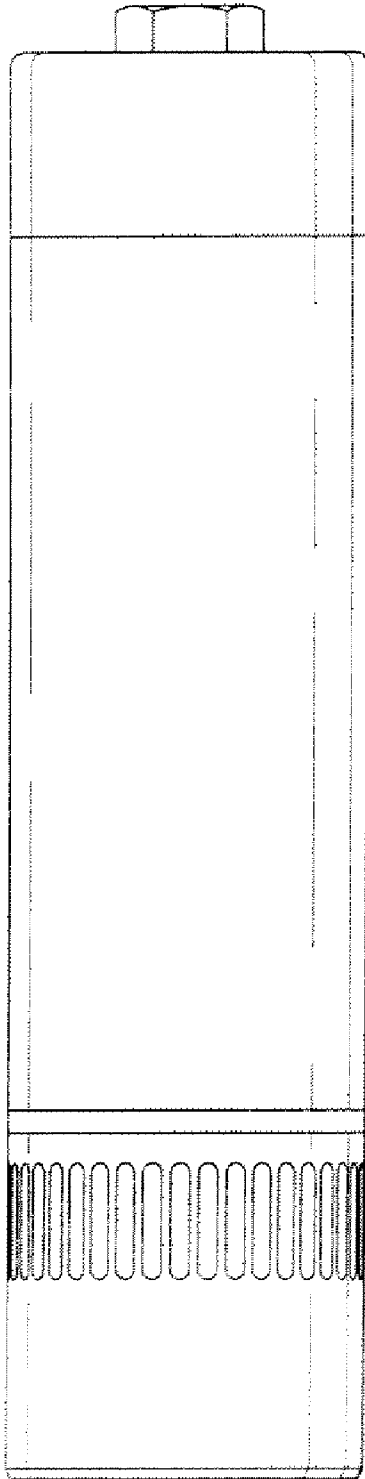


Fig-3

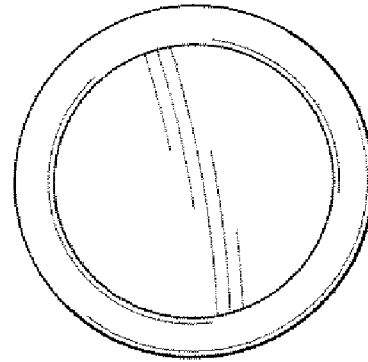


Fig-4