



US00D998853S

(12) **United States Design Patent**
Farzan

(10) **Patent No.:** **US D998,853 S**
(45) **Date of Patent:** **** Sep. 12, 2023**

- (54) **RECESSED LIGHTING FIXTURE**
- (71) Applicant: **NORA LIGHTING, INC.**, Commerce, CA (US)
- (72) Inventor: **Fred Farzan**, Beverly Hills, CA (US)
- (73) Assignee: **Nora Lighting, Inc.**, Commerce, CA (US)
- (**) Term: **15 Years**

D617,934 S 6/2010 Rashdi
 D624,688 S 9/2010 Johnson
 D641,909 S 7/2011 Johnson
 D642,317 S 7/2011 Rashidi
 D715,476 S 10/2014 Tien
 9,671,091 B2 6/2017 Jones
 D791,382 S 7/2017 Holscher
 9,726,354 B1 8/2017 Delano et al.
 9,982,855 B1* 5/2018 Tan F21V 21/28
 (Continued)

- (21) Appl. No.: **29/748,652**
- (22) Filed: **Aug. 31, 2020**

Related U.S. Application Data

- (62) Division of application No. 29/690,990, filed on May 13, 2019, now Pat. No. Des. 895,187, which is a division of application No. 29/591,403, filed on Jan. 19, 2017, now Pat. No. Des. 848,657.
- (51) **LOC (14) Cl.** **26-05**
- (52) **U.S. Cl.** **D26/74**
USPC **D26/74**
- (58) **Field of Classification Search**
USPC D26/74, 72, 75, 76, 77, 78, 85, 88, 89, D26/118, 138, 141
CPC F21V 7/06; F21V 21/044; F21V 21/047; F21S 8/02; F21S 8/026
See application file for complete search history.

References Cited

U.S. PATENT DOCUMENTS

5,440,471 A	8/1995	Zadeh
5,662,414 A	9/1997	Jennings
D550,868 S	9/2007	Egawa et al.
D571,944 S	6/2008	Pickard
7,478,931 B2	1/2009	Miletich
D596,330 S	7/2009	Pickard
D611,644 S	3/2010	Tsai
D613,444 S	4/2010	Rashdi

OTHER PUBLICATIONS

Taiwan Office Action, Appl. No. 106304088—Based on Priority U.S. Appl. No. 29/591,403, dated Mar. 1, 2018.
 (Continued)

Primary Examiner — Angela J Lee
 (74) *Attorney, Agent, or Firm* — K&L Gates LLP

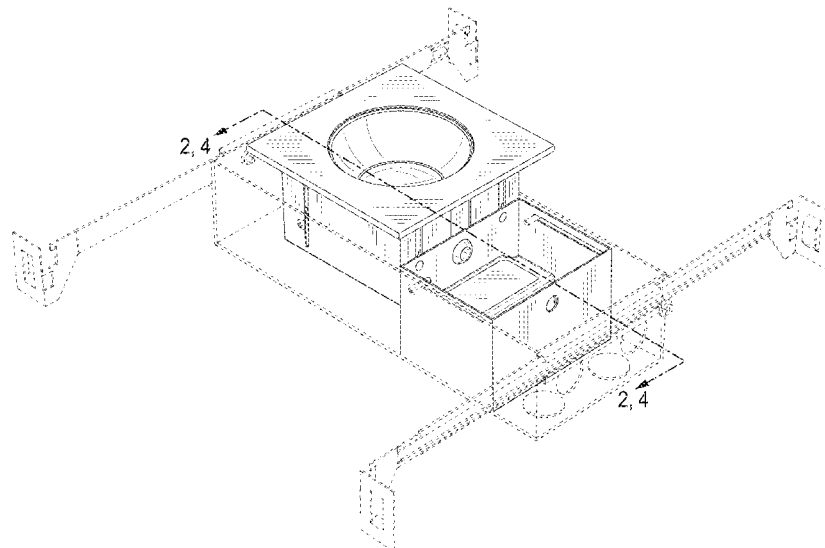
(57) **CLAIM**

The ornamental design for a recessed lighting fixture, as shown and described herein.

DESCRIPTION

FIG. 1 illustrates a front side view of a recessed lighting fixture.
 FIG. 2 illustrates a cross-sectional view of the recessed lighting fixture.
 FIG. 3 illustrates a perspective view of the recessed lighting fixture.
 FIG. 4 illustrates a perspective cross-sectional view of the recessed lighting fixture.
 FIG. 5 illustrates a view of a right side of the recessed lighting fixture; and,
 FIG. 6 illustrates a perspective view of a top side of the recessed lighting fixture.
 In the drawings, the broken lines represent portions of the recessed lighting fixture that form no part of the claimed design.

1 Claim, 6 Drawing Sheets



(56)

References Cited

U.S. PATENT DOCUMENTS

D824,567 S 7/2018 Farzan
 10,174,891 B1* 1/2019 Zheng F21V 29/89
 D848,657 S * 5/2019 Farzan D26/74
 D877,390 S * 3/2020 Farzan D26/74
 D890,976 S * 7/2020 Farzan D26/74
 D895,187 S * 9/2020 Farzan D26/74
 11,015,785 B1* 5/2021 Schubert F21V 15/01
 2007/0268708 A1 11/2007 O'Brien
 2008/0304269 A1 12/2008 Pickard
 2009/0080189 A1 3/2009 Wegner
 2009/0086476 A1 4/2009 Tickner
 2009/0290343 A1 11/2009 Brown
 2010/0014982 A1 6/2010 Cogliano
 2012/0320577 A1 12/2012 Wang
 2014/0233246 A1 8/2014 Lafreniere
 2015/0308662 A1* 10/2015 Vice F21V 21/30
 362/419
 2017/0003007 A1* 1/2017 Wronski F21V 21/04
 2017/0138576 A1 5/2017 Peng
 2017/0167699 A1 6/2017 Schubert

2017/0248298 A1 8/2017 Wu
 2017/0268742 A1 9/2017 White
 2017/0307188 A1 10/2017 Oudina et al.
 2017/0307201 A1 10/2017 Mathews
 2018/0119907 A1 5/2018 O'Brien
 2018/0187844 A1 7/2018 Lavin
 2018/0202634 A1 7/2018 Farzan
 2018/0335202 A1* 11/2018 Hershman F21V 1/20
 2019/0063701 A1* 2/2019 Lotfi F21V 23/026
 2019/0346098 A1* 11/2019 Lawrence F21V 17/164
 2020/0300428 A1* 9/2020 Momin F21V 21/04
 2022/0010950 A1* 1/2022 Miller F21V 23/00

OTHER PUBLICATIONS

Taiwan Office Action, Appl. No. 106304088 dated Jul. 16, 2018—2 pages.
 Search Report for Taiwan Patent Appl. No. 106304088 dated Jul. 16, 2018—1 page.
 U.S. Appl. No. 15/865,981 Non-Final Office Action dated Mar. 8, 2018.

* cited by examiner

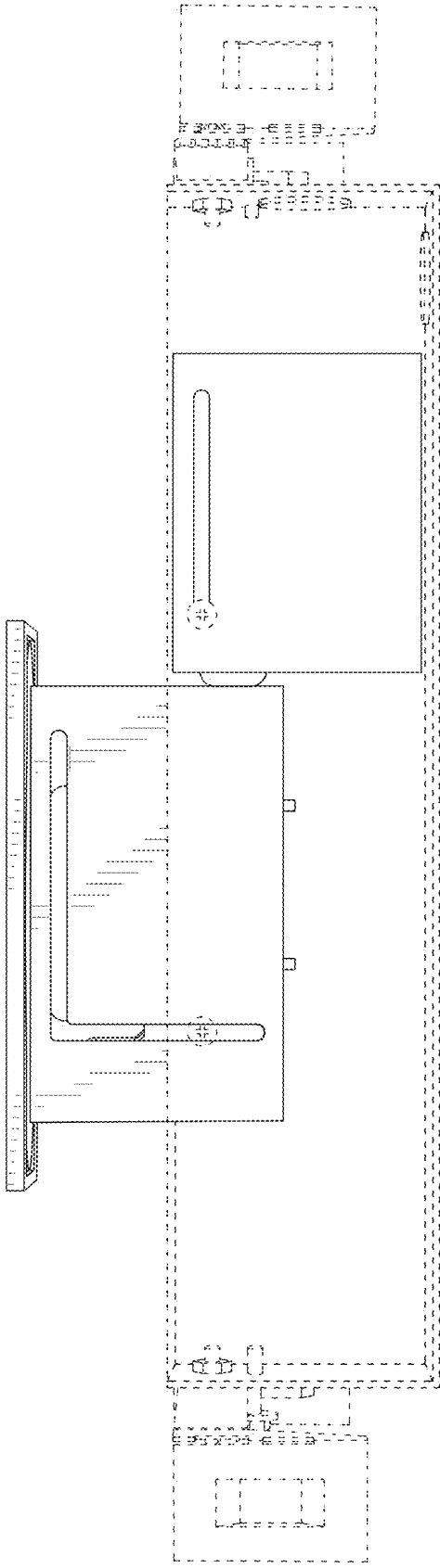


FIG. 1

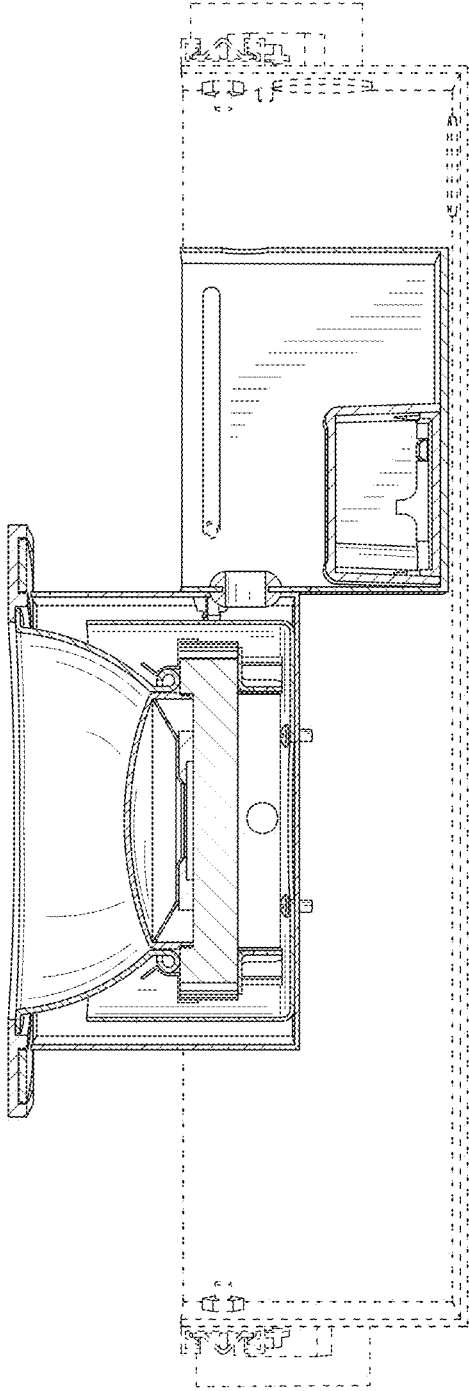


FIG. 2

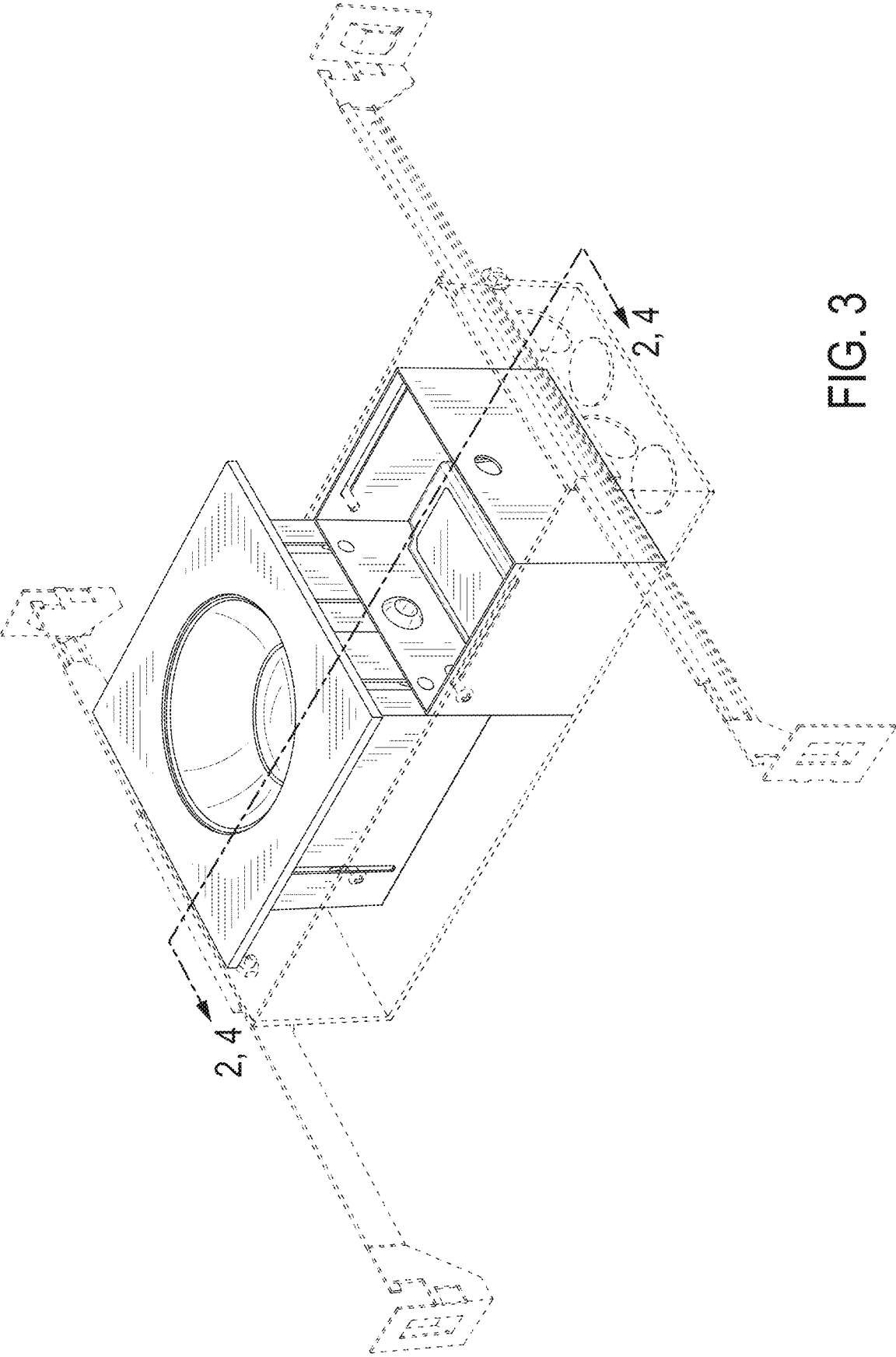


FIG. 3

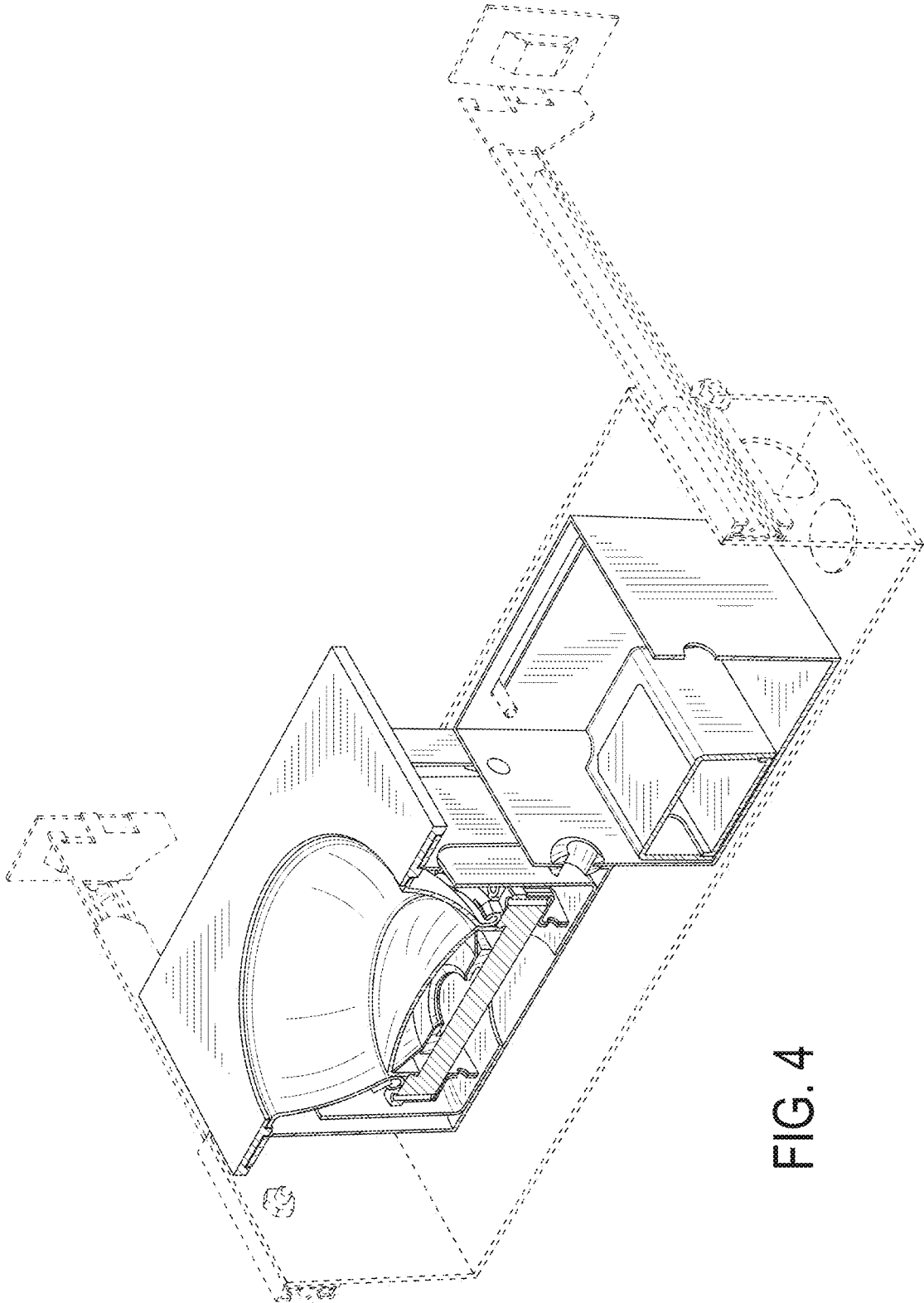


FIG. 4

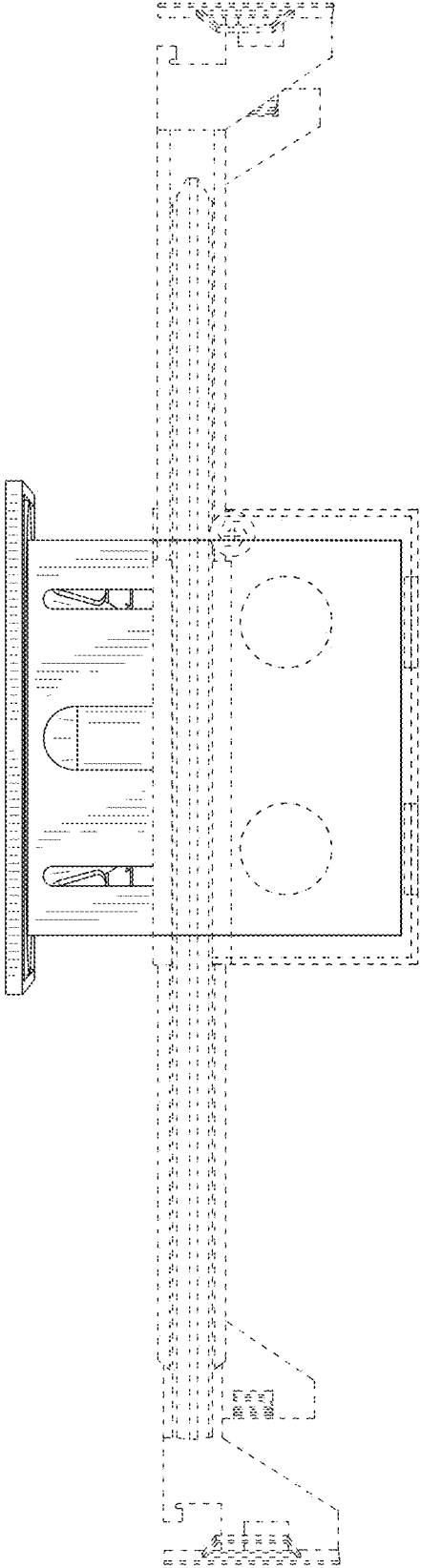


FIG. 5

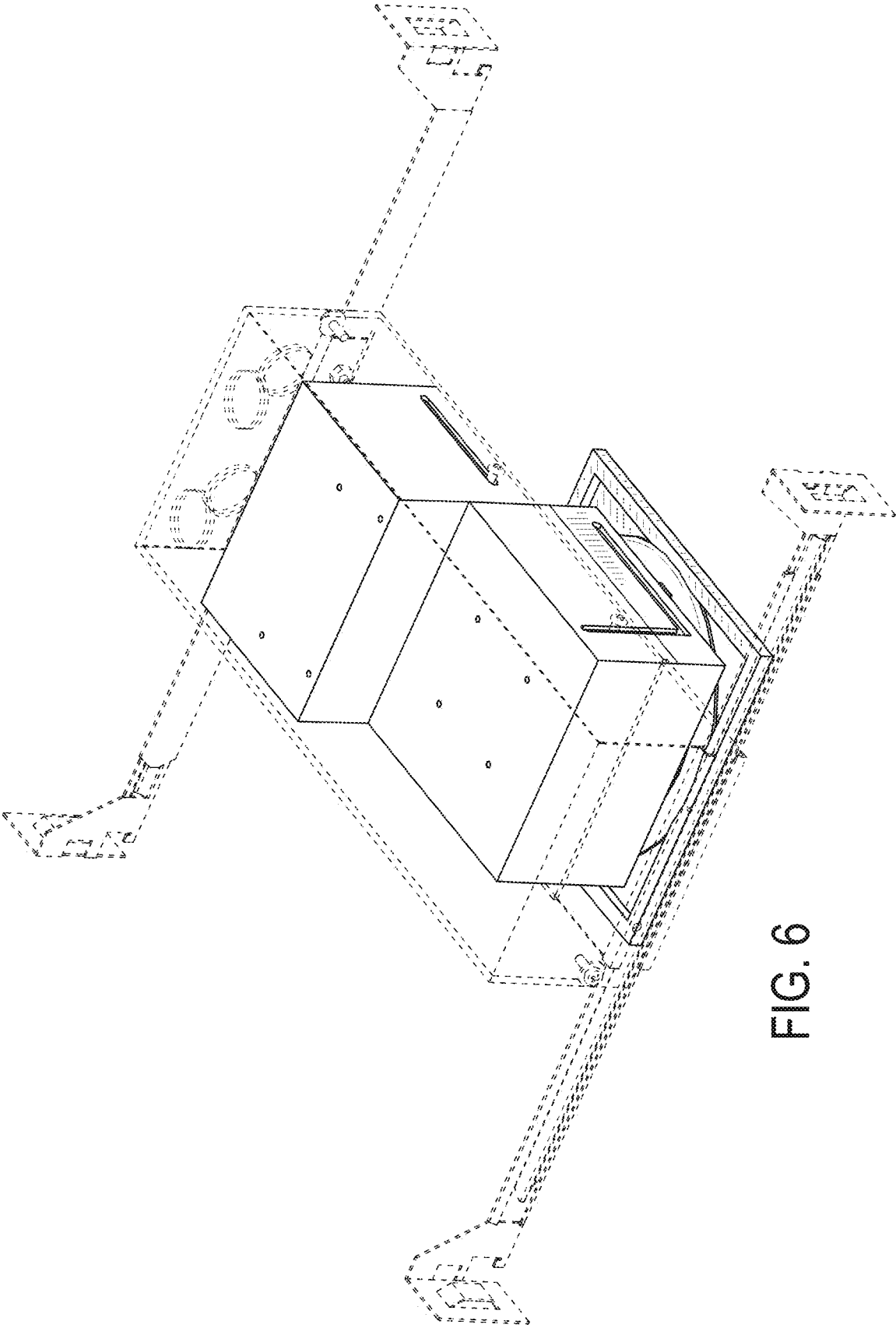


FIG. 6