



US00D528115S

(12) **United States Design Patent**  
**Yoon**

(10) **Patent No.:** **US D528,115 S**

(45) **Date of Patent:** **\*\* Sep. 12, 2006**

(54) **LCD MONITOR**

(75) Inventor: **Sang-Won Yoon**, Seoul (KR)

(73) Assignee: **Samsung Electronics Co., Ltd.**, Suwon (KR)

(\*\*) Term: **14 Years**

(21) Appl. No.: **29/236,044**

(22) Filed: **Aug. 10, 2005**

(51) **LOC (8) Cl.** ..... **14-02**

(52) **U.S. Cl.** ..... **D14/375**

(58) **Field of Classification Search** ..... D14/371-375,  
D14/125-129; 345/104, 156, 168, 173, 901-905;  
348/180, 184, 325, 739; 248/918-924, 146,  
248/123.11; 349/1, 2, 11, 62; 341/12; 361/681  
See application file for complete search history.

(56) **References Cited**

**U.S. PATENT DOCUMENTS**

|                   |         |               |            |
|-------------------|---------|---------------|------------|
| D357,468 S        | 4/1995  | Rodd          |            |
| D411,522 S *      | 6/1999  | Chuo et al.   | D14/375    |
| D412,892 S        | 8/1999  | Lee           |            |
| D416,875 S *      | 11/1999 | Chuo et al.   | D14/375    |
| 6,015,120 A       | 1/2000  | Sweere et al. |            |
| D458,927 S *      | 6/2002  | Wang et al.   | D14/375    |
| D458,928 S        | 6/2002  | Duan          |            |
| D468,311 S *      | 1/2003  | Lee           | D14/375    |
| D477,320 S        | 7/2003  | Peng et al.   |            |
| 6,712,321 B1 *    | 3/2004  | Su et al.     | 248/123.11 |
| D489,370 S        | 5/2004  | Jobs et al.   |            |
| D490,428 S *      | 5/2004  | Chou          | D14/375    |
| 2004/0113031 A1 * | 6/2004  | Sung          | 248/146    |
| 2005/0041379 A1 * | 2/2005  | Jang          | 361/681    |

**OTHER PUBLICATIONS**

U.S. Appl. No. 29/217,926, Applicant: Young-Jun Kim, et al., filed Nov. 23, 2004 entitled Projection Television.

U.S. Appl. No. 29/218,855, Applicant: Seung-Ho Lee, et al., filed Dec. 8, 2004 entitled LCD TV.

U.S. Appl. No. 29/218,856, Applicant: Seung-Ho Lee, et al., filed Dec. 8, 2004 entitled LCD TV.

U.S. Appl. No. 29/228,022, Applicant: Yun-Je Kang, et al., filed Apr. 19, 2005 entitled Projection Television.

U.S. Appl. No. 29/228,541, Applicant: Young-Sun Shin, et al., filed Apr. 25, 2005 entitled Television.

U.S. Appl. No. 29/228,026, Applicant: Yun-Je Kang, et al., filed Apr. 19, 2005 entitled Projection Television.

U.S. Appl. No. 29/228,024, Applicant: Ki-Soo Kim, et al., filed Apr. 19, 2005 entitled LCD Television.

U.S. Appl. No. 29/212,121, Applicant: Eui-Seok Kim, filed Aug. 26, 2004 entitled LCD Monitor.

U.S. Appl. No. 29/231,241, Applicant: Young-Jun Kim, et al., filed Jun. 2, 2005 entitled Monitor.

U.S. Appl. No. 29/231,236, Applicant: Ki-Soo Kim, et al., filed Jun. 2, 2005 entitled LCD Monitor.

U.S. Appl. No. 29/231,924, Applicant: Sang-Il Park, et al., filed Jun. 10, 2005 entitled LCD Monitor.

U.S. Appl. No. 29/231,925, Applicant: Sang-Il Park, et al., filed Jun. 10, 2005 entitled LCD Monitor.

U.S. Appl. No. 29/236,042, Applicant: Yun-Je Kang, et al., filed Aug. 10, 2005 entitled Projection Television.

U.S. Appl. No. 29/236,043, Applicant: Yun-Je Kang, et al., filed Aug. 10, 2005 entitled Projection Television.

(Continued)

*Primary Examiner*—Freda S. Nunn

(74) *Attorney, Agent, or Firm*—Fynn, Thiel, Boutell & Tanis, P.C.

(57) **CLAIM**

The ornamental design for a LCD monitor, as shown and described.

**DESCRIPTION**

FIG. 1. is a top front perspective view of a LCD monitor showing our new design.

FIG. 2. is a front elevational view thereof.

FIG. 3. is a rear elevational view thereof.

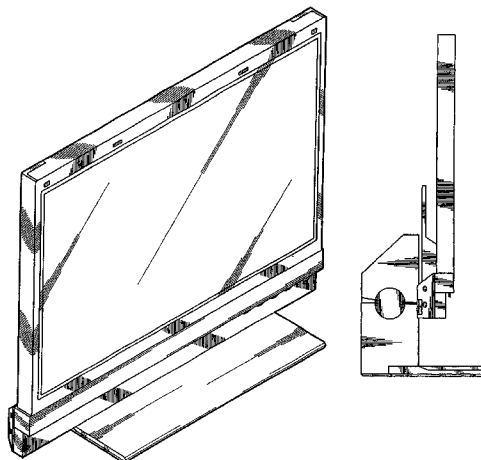
FIG. 4. is a left side elevational view thereof.

FIG. 5. is a right side elevational view thereof.

FIG. 6. is a top plan view thereof; and,

FIG. 7. is a bottom plan view thereof.

**1 Claim, 4 Drawing Sheets**



OTHER PUBLICATIONS

U.S. Appl. No. 29/236,045, Applicant: Yun-Je Kang, et al., filed Aug. 10, 2005 entitled Projection Television.

U.S. Appl. No. 29/236,046, Applicant: Min-Hyong Boo, et al., filed Aug. 10, 2005 entitled LCD Monitor.

U.S. Appl. No. 29/236,960, Applicant: Baek-Ki Kim, et al., filed Aug. 24, 2005 entitled LCD Monitor.

U.S. Appl. No. 29/236,961, Applicant: Kyoung-Hoon Kim, et al., filed Aug. 24, 2005 entitled Television.

U.S. Appl. No. 29/236,965, Applicant: Jun-Ho Yang, et al., filed Aug. 24, 2005 entitled Television.

U.S. Appl. No. 29/236,966, Applicant: Jun-Ho Yang, et al., filed Aug. 24, 2005 entitled LCD Television.

U.S. Appl. No. 29/236,967, Applicant: Jun-Ho Yang, et al., filed Aug. 24, 2005 entitled Television.

U.S. Appl. No. 29/236,968, Applicant: Jun-Ho Yang, et al., filed Aug. 24, 2005 entitled Television.

U.S. Appl. No. 29/236,969, Applicant: Jun-Ho Yang, et al., filed Aug. 24, 2005 entitled Television.

\* cited by examiner

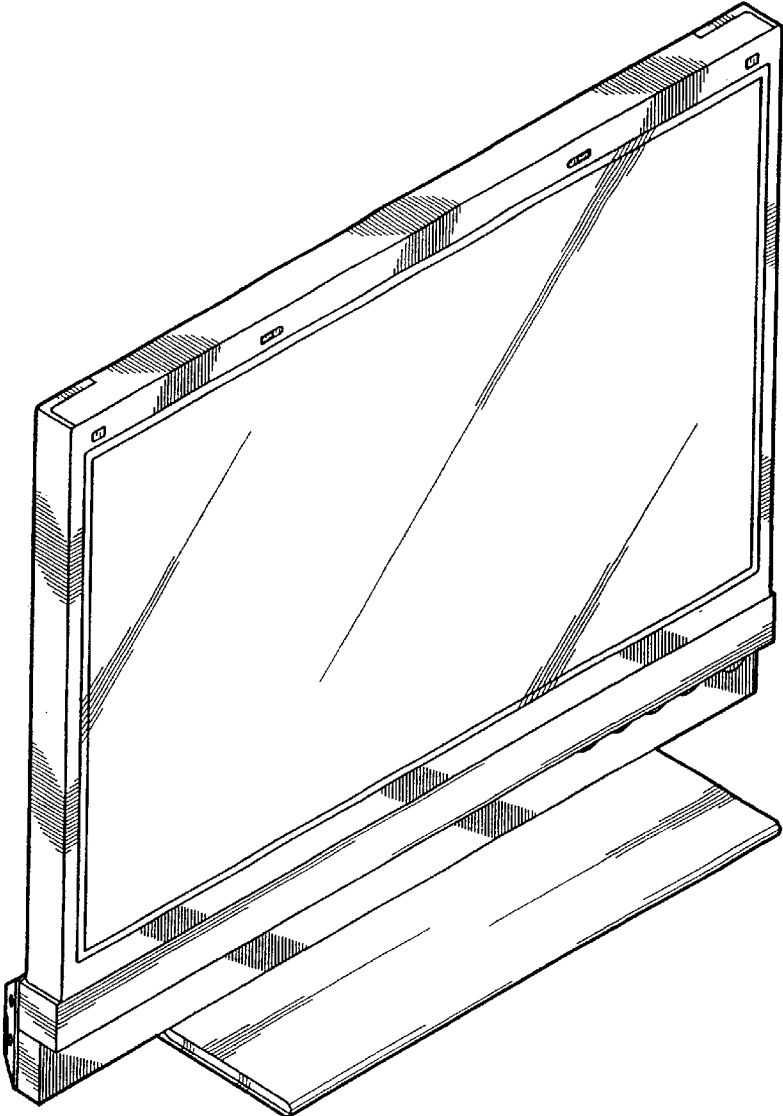


FIG.1

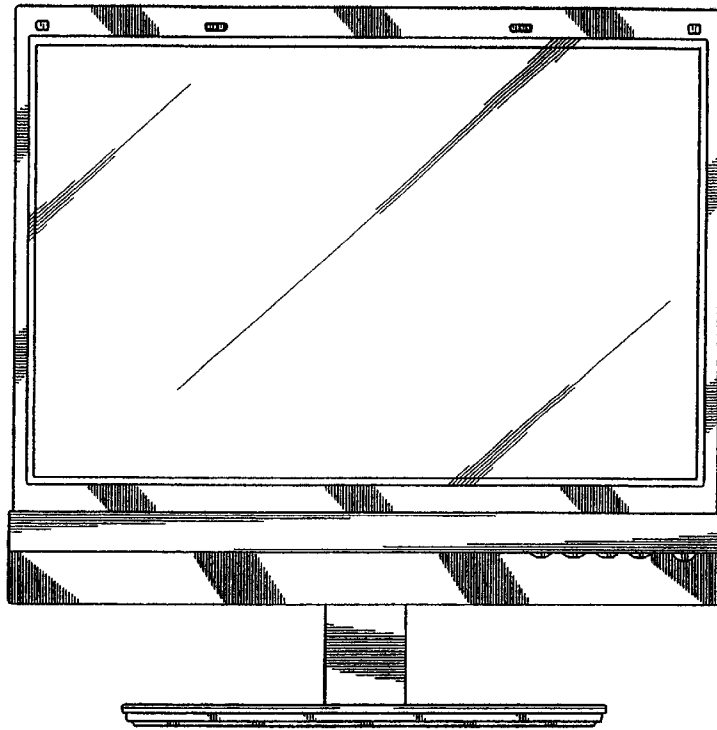


FIG. 2

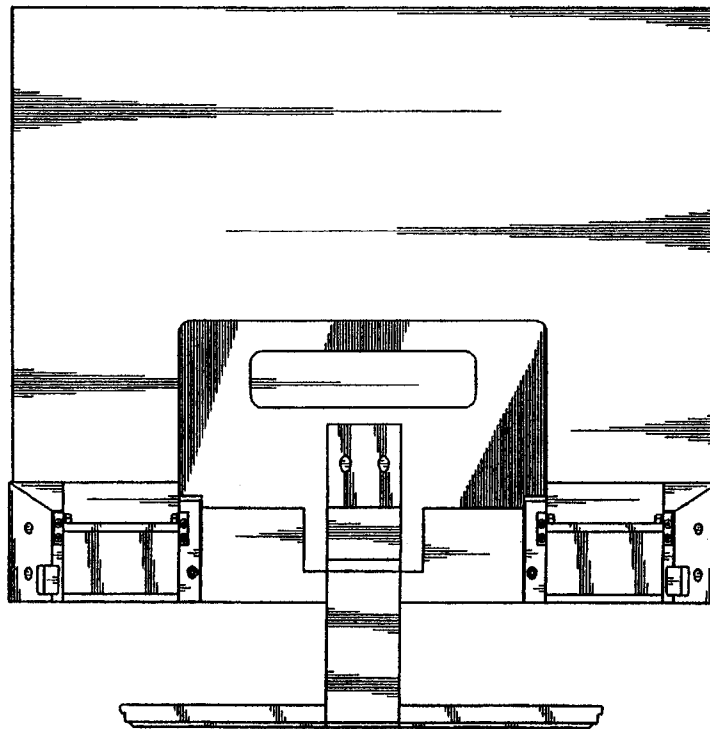


FIG. 3

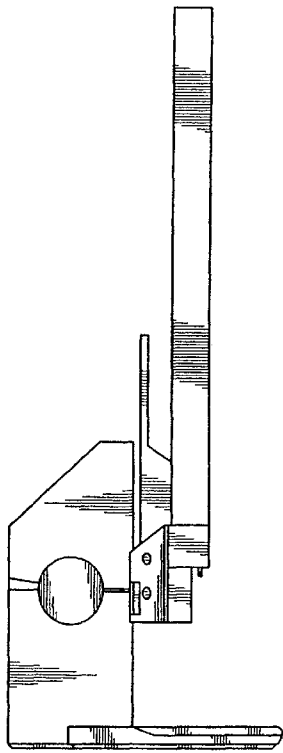


FIG. 4

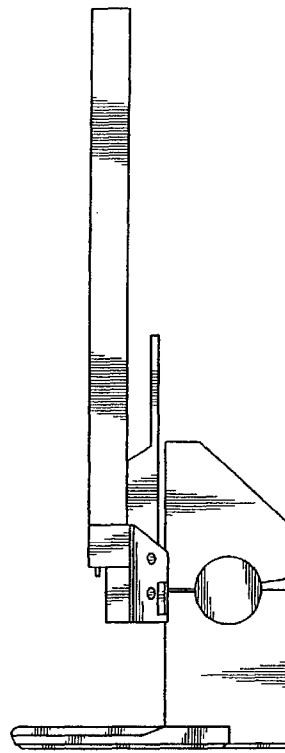


FIG. 5

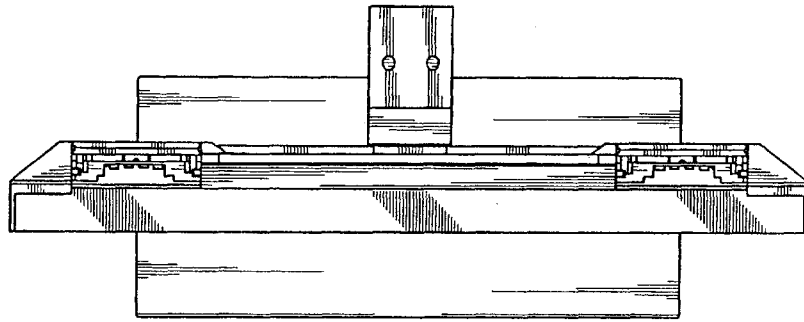


FIG. 6

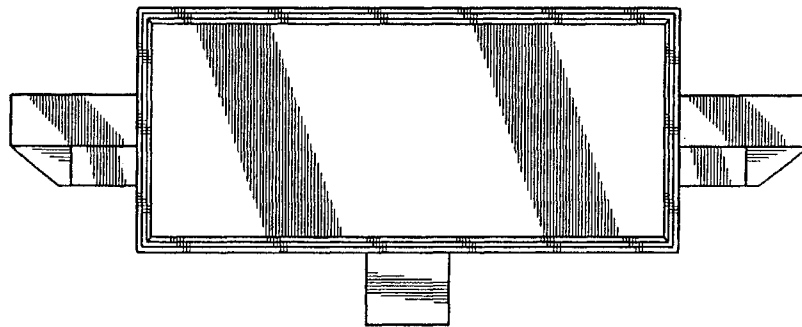


FIG. 7