



US00D752201S

(12) **United States Design Patent**
Herbst

(10) **Patent No.:** **US D752,201 S**

(45) **Date of Patent:** **** Mar. 22, 2016**

- (54) **FAN ENCLOSURE WITH GRILLE**
- (71) Applicant: **Scot Herbst**, Santa Cruz, CA (US)
- (72) Inventor: **Scot Herbst**, Santa Cruz, CA (US)
- (73) Assignee: **O2COOL, LLC**, Chicago, IL (US)
- (**) Term: **14 Years**
- (21) Appl. No.: **29/507,369**
- (22) Filed: **Oct. 27, 2014**
- (51) **LOC (10) Cl.** **23-04**
- (52) **U.S. Cl.**
USPC **D23/411**; 23/370; 23/382
- (58) **Field of Classification Search**
USPC D23/370–373, 376, 377, 379, 381–385,
D23/388, 411–414, 324, 330, 332, 335,
D23/353–355, 499; D21/455, 458; 392/365,
392/367; 415/1, 127, 179, 182.1, 223;
416/62, 93 R, 100, 180, 182, 189, 190,
416/204 R, 219 R, 220 R, 244 R, 246, 247 R,
416/223 R; D13/175, 179; 310/67 R;
417/369, 423.7
CPC ... F04D 29/325; F04D 29/326; F04D 29/329;
F04D 29/384; F04D 29/386; F04D 29/28;
F04D 29/281; F04D 29/282; F04D 29/284;
F04D 29/663; F04D 29/646; F04D 29/701;
F04D 29/703; F04D 29/526; F04D 29/547;
F04D 25/08; F04D 25/082; F04D 25/084;
F04D 25/068
See application file for complete search history.

(56) **References Cited**

U.S. PATENT DOCUMENTS

- 4,120,615 A * 10/1978 Keem F04D 29/526
220/324
- D254,566 S * 3/1980 Cummins D23/370
- D271,133 S * 10/1983 Pataki D23/370

- 4,457,672 A * 7/1984 Ogura F04D 25/10
248/27.1
- D458,361 S * 6/2002 Melwani D23/379
- D546,436 S * 7/2007 Chen D23/382
- D546,437 S * 7/2007 Chen D23/382
- D546,933 S * 7/2007 Chen D23/382
- D578,635 S * 10/2008 Chan D23/382
- D594,959 S * 6/2009 Orihara D23/366
- D683,010 S * 5/2013 Chen D23/370
- D683,841 S * 6/2013 McNicholas D23/328
- D684,249 S * 6/2013 Herbst D23/370
- D684,680 S * 6/2013 Herbst D23/382
- D685,079 S * 6/2013 Herbst D23/382
- D689,600 S * 9/2013 Herbst D23/382
- D721,431 S * 1/2015 Herbst D23/382

* cited by examiner

Primary Examiner — Susan Bennett Hattan

Assistant Examiner — Marie Fast Horse

(74) *Attorney, Agent, or Firm* — Thompson Coburn LLP

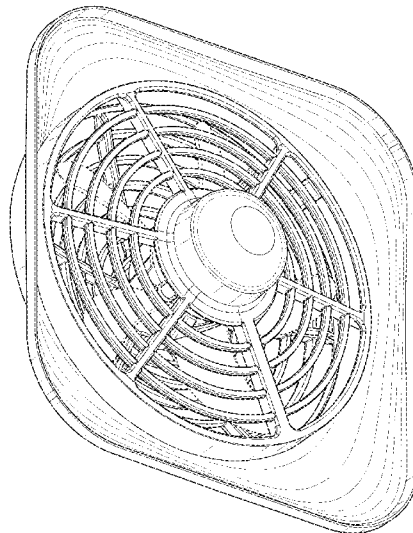
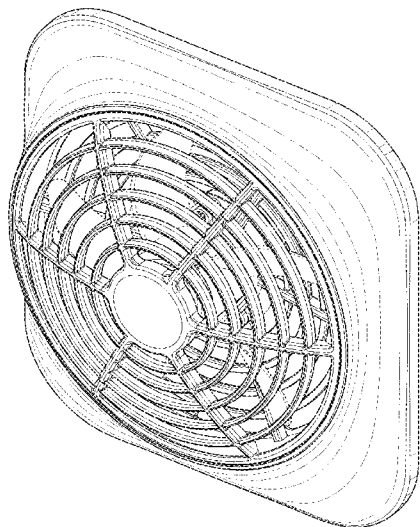
(57) **CLAIM**

I claim the ornamental design for a the fan enclosure with grille, as shown and described.

DESCRIPTION

FIG. 1 is a front perspective view taken from the right top front corner of the fan enclosure with grille showing our new design;
 FIG. 2 is a rear perspective view of fan enclosure with grille;
 FIG. 3 is a front view thereof;
 FIG. 4 is a rear view thereof;
 FIG. 5 is a left side view thereof;
 FIG. 6 is a right side view thereof;
 FIG. 7 is a top view thereof; and
 FIG. 8 is a bottom view thereof.
 The broken lines in the drawings depict environmental subject matter only and form no part of the claimed design.

1 Claim, 8 Drawing Sheets



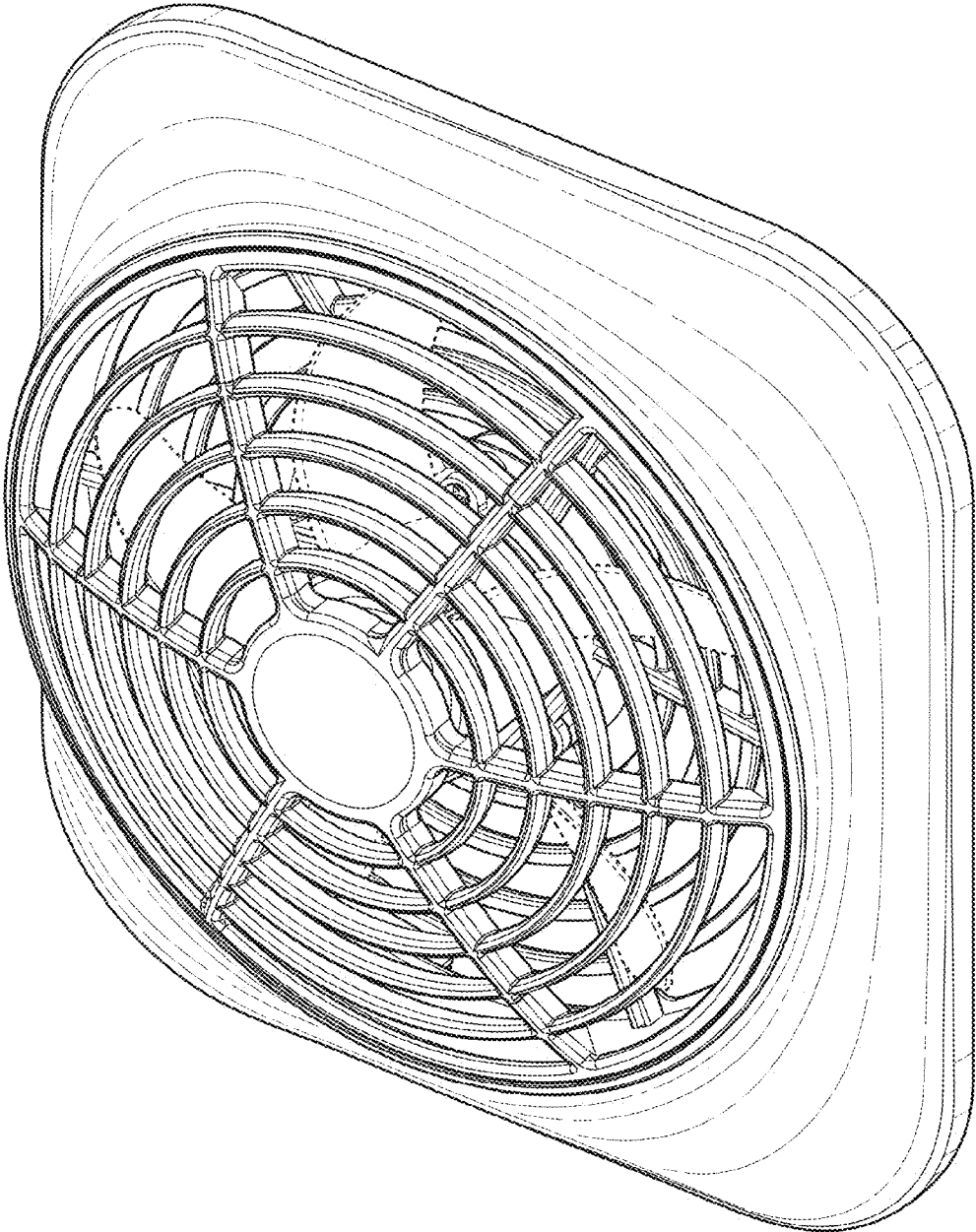


FIG. 1

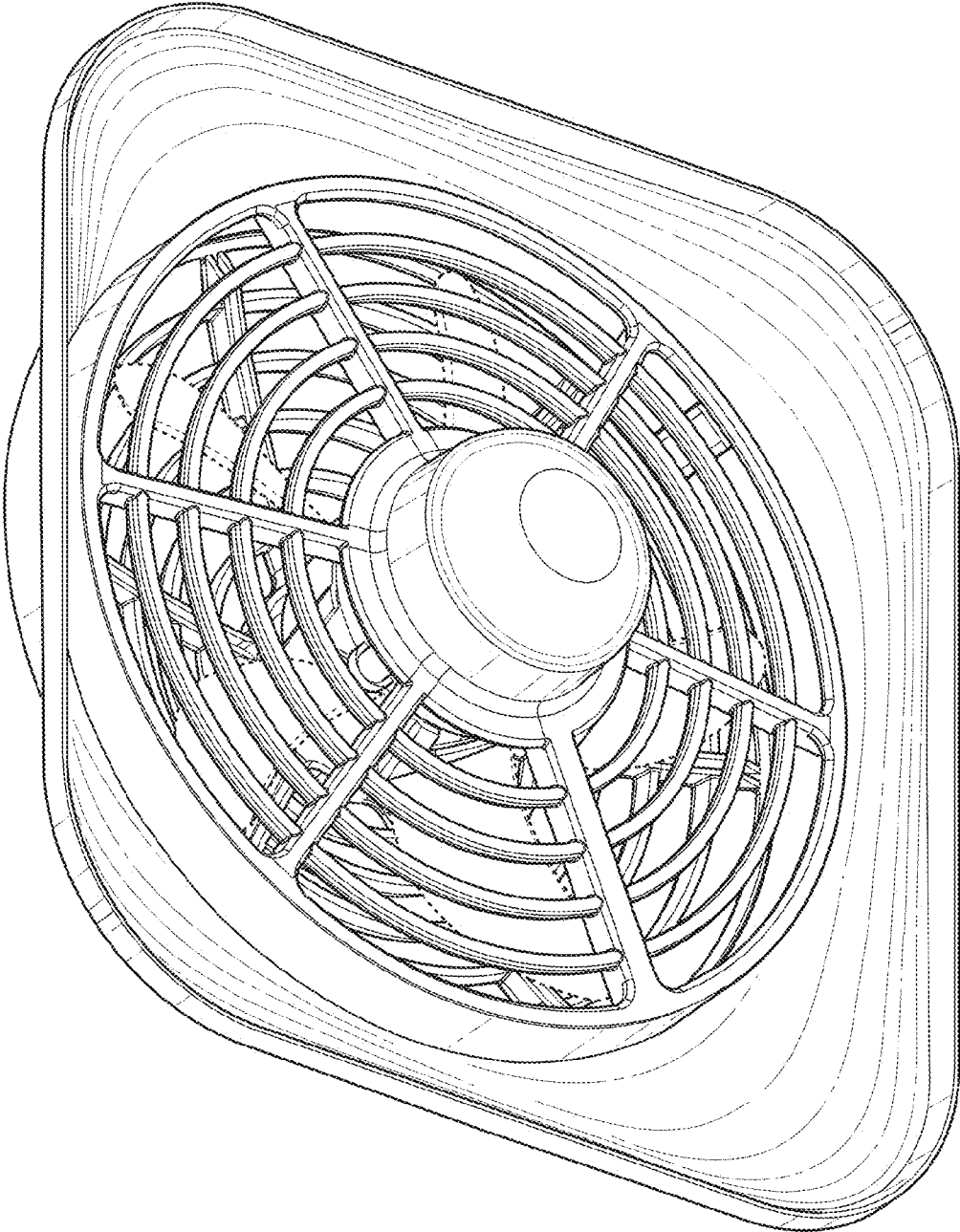


FIG. 2

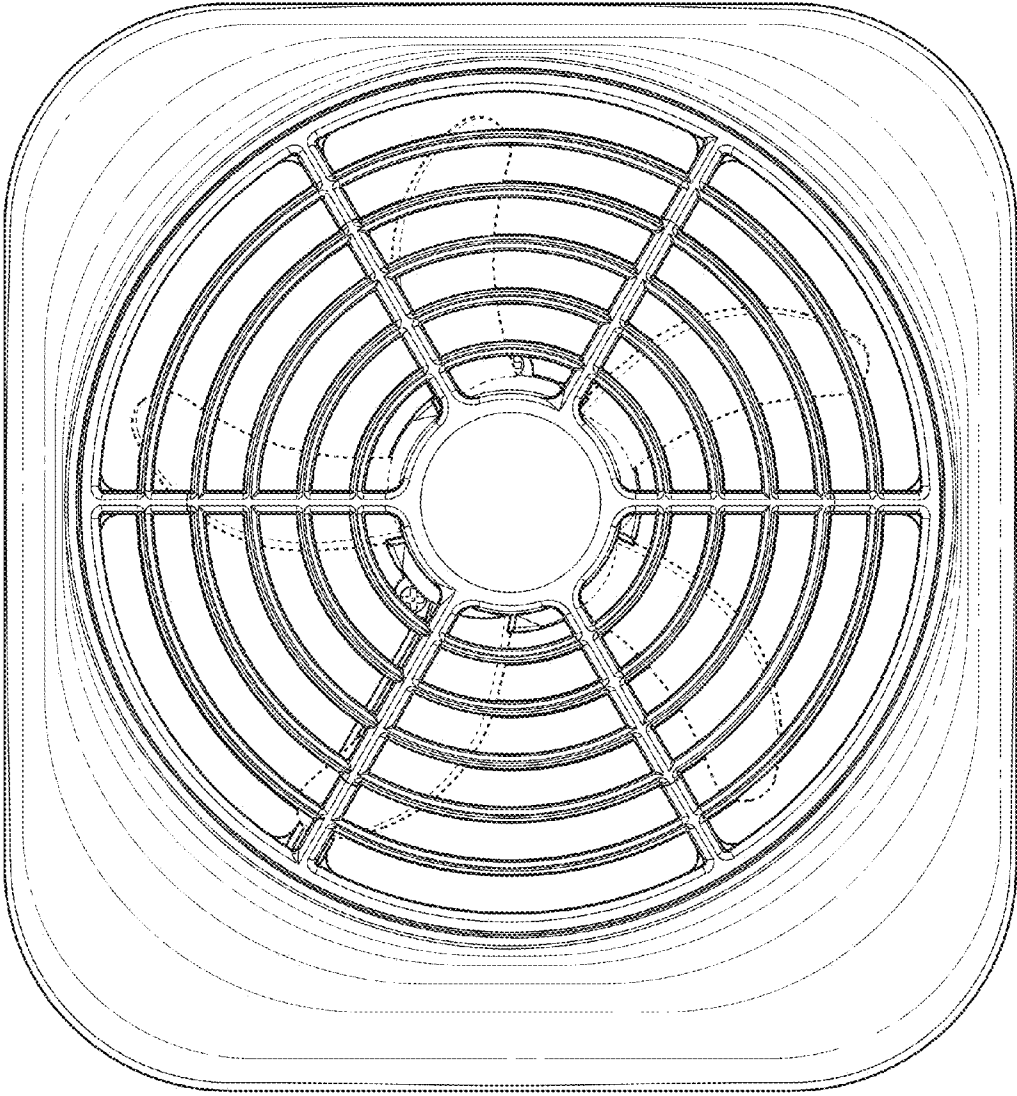


FIG. 3

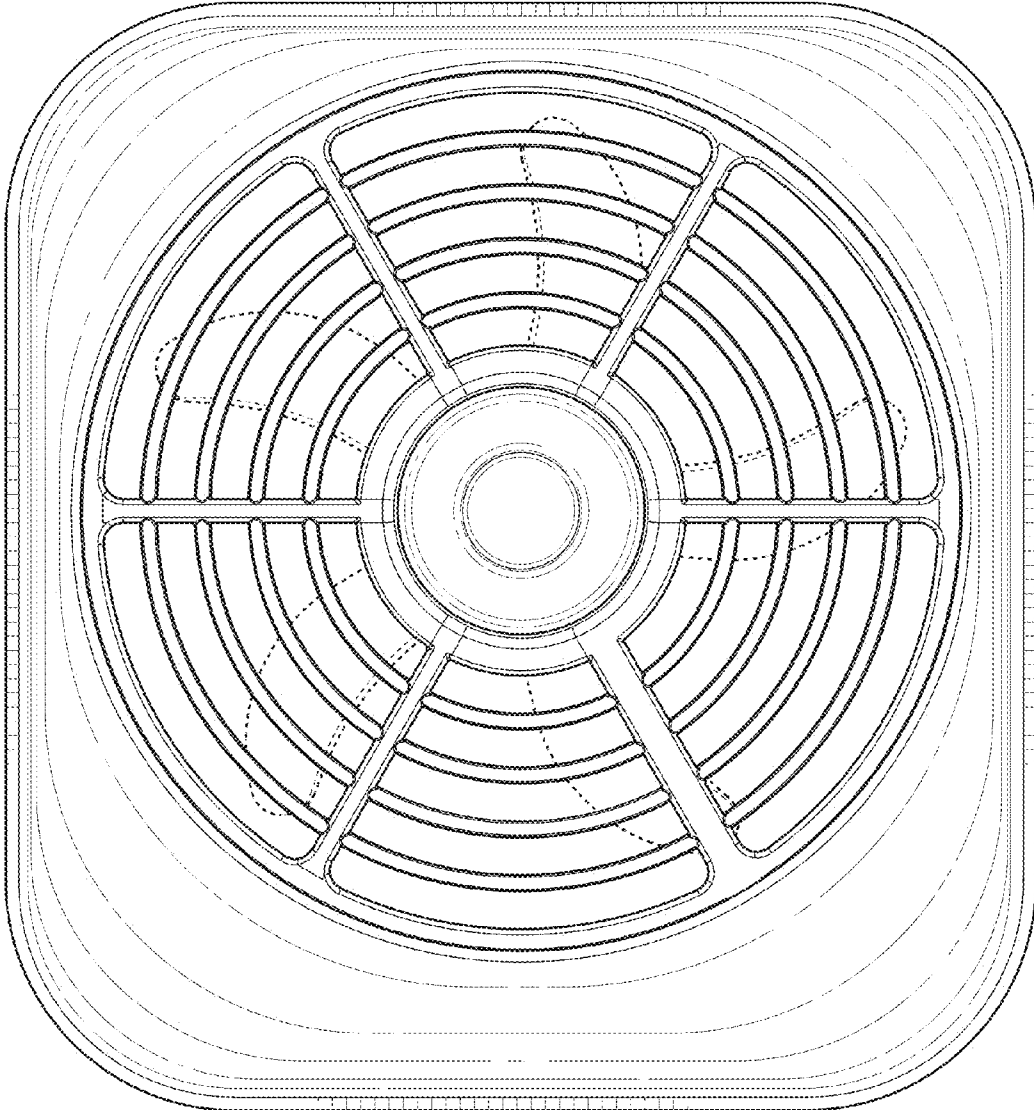


FIG. 4

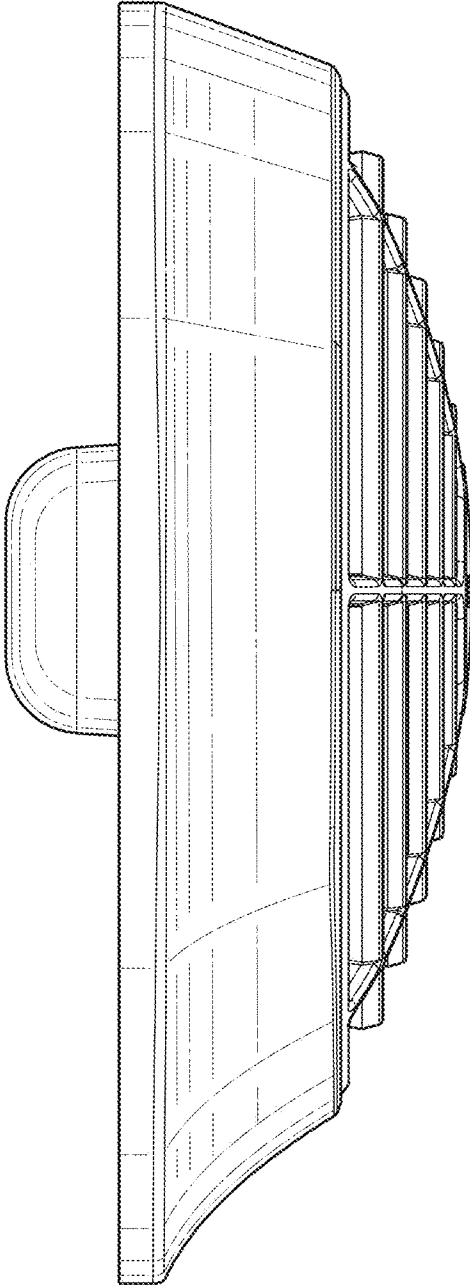


FIG. 5

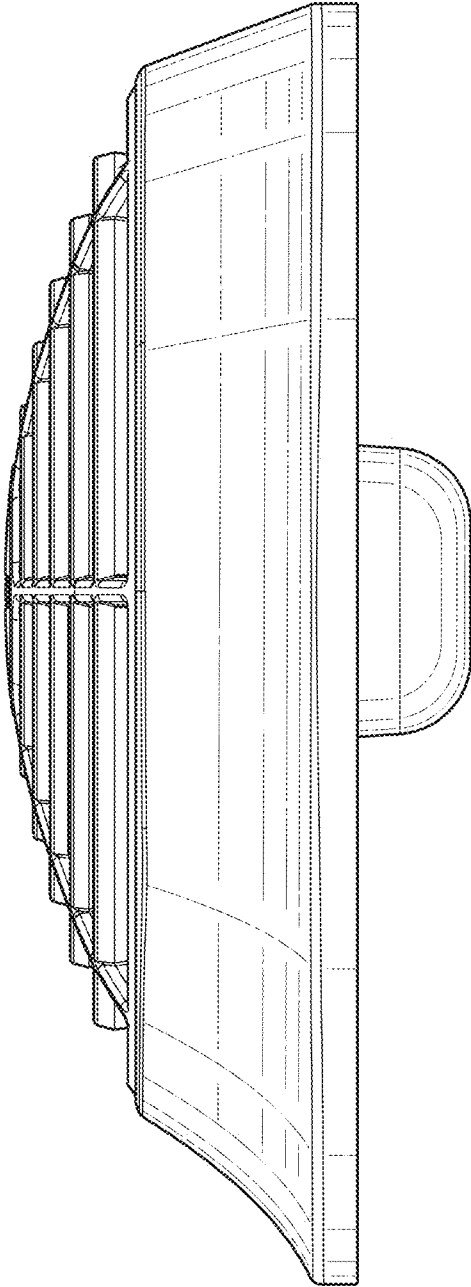


FIG. 6

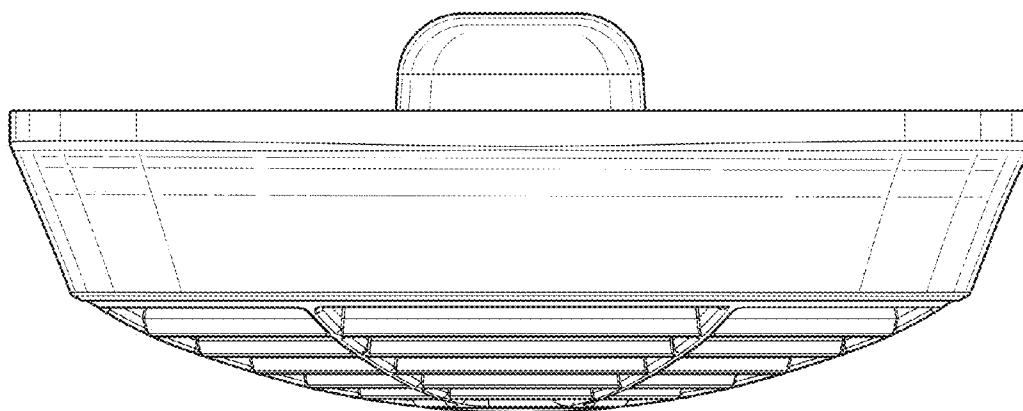


FIG. 7

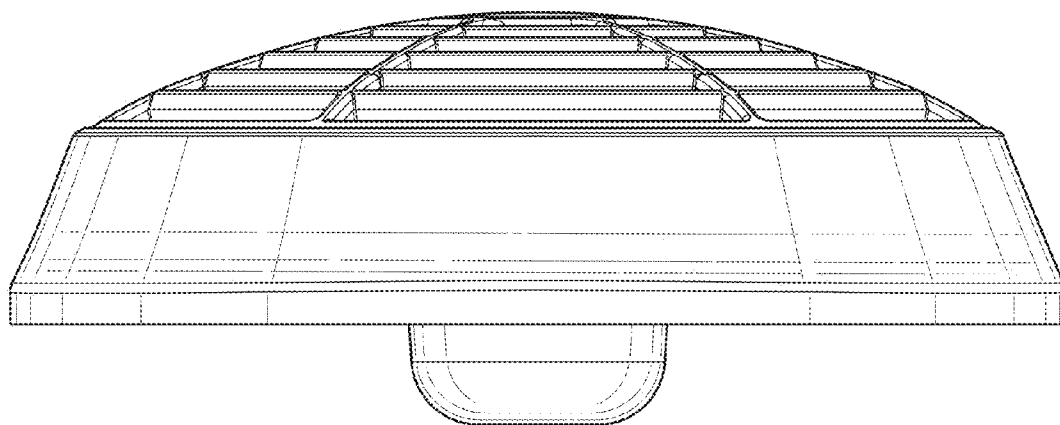


FIG. 8