



US00D828866S

(12) **United States Design Patent**  
**Yoo et al.**

(10) **Patent No.:** **US D828,866 S**

(45) **Date of Patent:** **\*\* Sep. 18, 2018**

- (54) **GOGGLE**
- (71) Applicant: **Oakley, Inc.**, Foothill Ranch, CA (US)
- (72) Inventors: **George Yoo**, North Hollywood, CA (US); **Jae Shin**, Foothill Ranch, CA (US)
- (73) Assignee: **Oakley, Inc.**, Foothill Ranch, CA (US)
- (\*\*) Term: **15 Years**
- (21) Appl. No.: **29/582,785**

- D427,225 S 6/2000 Arnette
- D428,039 S 7/2000 Thixton
- D439,596 S 3/2001 Bolle
- D503,422 S 3/2005 Canavan
- D508,939 S 8/2005 Hussey
- D509,236 S 9/2005 Sheldon
- D510,378 S 10/2005 Dondero et al.
- D519,147 S 4/2006 Moritz et al.
- D524,352 S 7/2006 Hsu
- D527,752 S 9/2006 Canavan
- D527,757 S 9/2006 Chen
- D537,099 S 2/2007 Saderholdm
- D537,100 S 2/2007 Moritz
- D541,328 S 4/2007 Saderholdm

(Continued)

- (22) Filed: **Oct. 31, 2016**
- (51) **LOC (11) Cl.** ..... **16-06**
- (52) **U.S. Cl.**
- USPC ..... **D16/313**
- (58) **Field of Classification Search**
- USPC ..... D29/109; D24/110.2; D16/101, 301, D16/306, 311, 312, 313, 314, 325, 326, D16/330, 136, 339, 130, 334, 338; 2/426, 429, 450; D8/349, 373
- CPC .. A61F 9/045; A61F 9/04; A61F 9/029; A61F 9/027; A61F 9/025; A61F 9/02; G02C 9/04; G02C 5/00; G02C 11/10; G02C 7/00

See application file for complete search history.

(56) **References Cited**

**U.S. PATENT DOCUMENTS**

- 3,517,393 A 6/1970 Beauchef
- D242,666 S 12/1976 Smith
- D273,819 S 5/1984 Yehl
- 4,447,914 A 5/1984 Jannard
- D328,084 S 7/1992 Salce et al.
- D358,159 S 5/1995 Lai
- D369,174 S 4/1996 Cooper
- D375,317 S 11/1996 Canavan
- D390,248 S 2/1998 Pranger
- D405,102 S 2/1999 Moritz
- D407,735 S 4/1999 Arnette

**OTHER PUBLICATIONS**

- U.S. Appl. No. 29/540,935, filed Sep. 29, 2015, Shin, et al.
- U.S. Appl. No. 29/582,780, filed Oct. 31, 2016, Yoo, et al.
- U.S. Appl. No. 29/582,777, filed Oct. 31, 2016, Yoo, et al.

*Primary Examiner* — Ruth McInroy  
(74) *Attorney, Agent, or Firm* — Sterne, Kessler, Goldstein & Fox P.L.L.C.

(57) **CLAIM**

The ornamental design for a goggle, as shown and described.

**DESCRIPTION**

FIG. 1 is a front perspective view of a goggle showing the claimed design;

FIG. 2 is a front elevational view thereof;

FIG. 3 is a rear elevational view thereof;

FIG. 4 is a right side elevational view thereof;

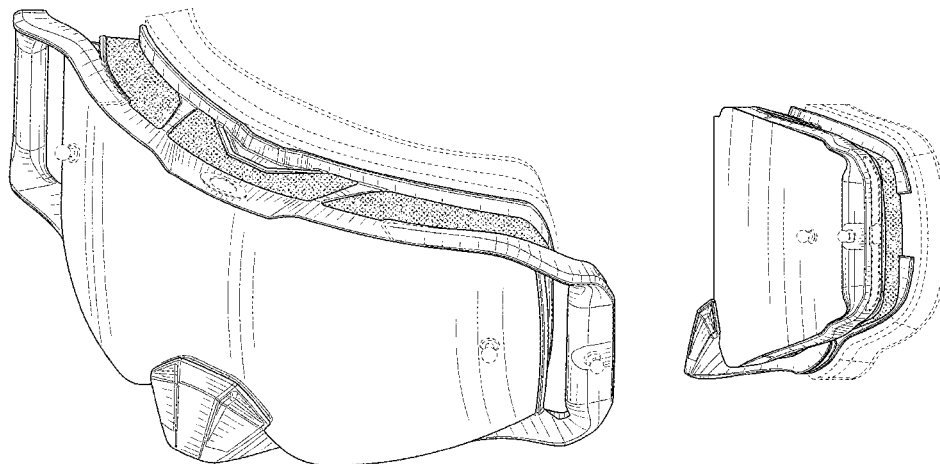
FIG. 5 is a left side elevational view thereof;

FIG. 6 is a top plan view thereof; and,

FIG. 7 is a bottom plan view thereof.

The broken lines in the Figures show portions of the goggle which form no part of the claimed design.

**1 Claim, 4 Drawing Sheets**



(56)

References Cited

U.S. PATENT DOCUMENTS

D538,834 S	5/2007	Mangum	
D542,830 S	5/2007	Hsu	
D543,571 S	5/2007	Love	
D544,015 S	6/2007	Fuchs	
D547,354 S	7/2007	Fuchs	
D548,251 S	8/2007	Boersma	
D550,749 S	9/2007	Chiang	
D551,278 S	9/2007	Moritz	
D551,280 S	9/2007	Li	
D552,622 S	10/2007	Woxing	
D556,238 S	11/2007	Yang	
D556,811 S	12/2007	Bruck	
D556,812 S	12/2007	Wang-Lee	
D559,299 S	1/2008	Tabacchi	
D569,411 S	5/2008	Chiang	
D574,409 S	8/2008	Stanley	
D577,054 S	9/2008	Moritz	
D578,562 S	10/2008	Moritz	
D581,964 S	12/2008	Hooper et al.	
D588,624 S	3/2009	Yang	
D592,694 S	5/2009	Fuchs	
D595,332 S	6/2009	Yang	
D598,040 S	8/2009	Sheldon et al.	
D608,816 S	1/2010	Wang-Lee et al.	
D609,265 S	2/2010	Wang-Lee et al.	
D610,602 S	2/2010	Yun	
D611,521 S	3/2010	Lampru	
D616,483 S	5/2010	Moritz	
D620,969 S	8/2010	Cyr	
D626,166 S	10/2010	Yang	
D626,582 S	11/2010	Cheng	
D626,987 S	11/2010	Yang	
D629,034 S *	12/2010	McNeal	A61F 9/025 D16/312
D633,937 S	3/2011	Yasuhara et al.	
D640,724 S	6/2011	Goodman	
D649,178 S	11/2011	Moritz et al.	
D649,577 S	11/2011	Goodman et al.	
D653,686 S *	2/2012	Tobia	D16/101
D653,695 S	2/2012	Tobia	
D656,686 S	3/2012	Tobia	
D657,812 S	4/2012	Li	
D659,742 S	5/2012	Chen	
D670,753 S	11/2012	Chen	
D675,244 S	1/2013	Orzeck	
8,371,691 B2	2/2013	Chiou	
D687,479 S	8/2013	Moritz et al.	
D687,880 S	8/2013	McNeal	
D687,881 S *	8/2013	Ginther	D16/312
D694,806 S	12/2013	Mage	
D695,335 S	12/2013	Goodman et al.	
D695,818 S	12/2013	Laperriere	
D698,854 S	2/2014	McNeal	
D700,929 S	3/2014	McNeal	
D704,249 S	5/2014	Orzeck	
D711,961 S	8/2014	Arnette	
D714,378 S	9/2014	Sandor	
D715,350 S	10/2014	Moritz	
D717,851 S *	11/2014	Arnette	D16/101
D718,369 S *	11/2014	Janavicius	D16/312
D723,094 S	2/2015	Chen	
D725,175 S	3/2015	Wang-Lee et al.	
D726,378 S	4/2015	Wako	
D727,398 S	4/2015	Blanchard	
D727,400 S	4/2015	Laperriere	
D729,303 S	5/2015	Blanchard	
D736,303 S *	8/2015	Yu	D16/309
D757,833 S	5/2016	Pfanner	
D761,344 S *	7/2016	Chen	D16/312
D769,350 S *	10/2016	Orzeck	D16/312
D774,588 S *	12/2016	Li	D16/312
D777,826 S *	1/2017	Shin	D16/312
D784,441 S *	4/2017	Garfias	D16/312
D785,699 S *	5/2017	Chen	D16/312
2003/0110552 A1	6/2003	Youmans	
2003/0233702 A1	12/2003	Chen	
2008/0030674 A1	2/2008	Huang	
2008/0301857 A1	12/2008	Wang-Lee	
2012/0236250 A1	9/2012	Yang	
2013/0185849 A1	7/2013	Laughlin	
2014/0033408 A1	2/2014	Currens	

\* cited by examiner

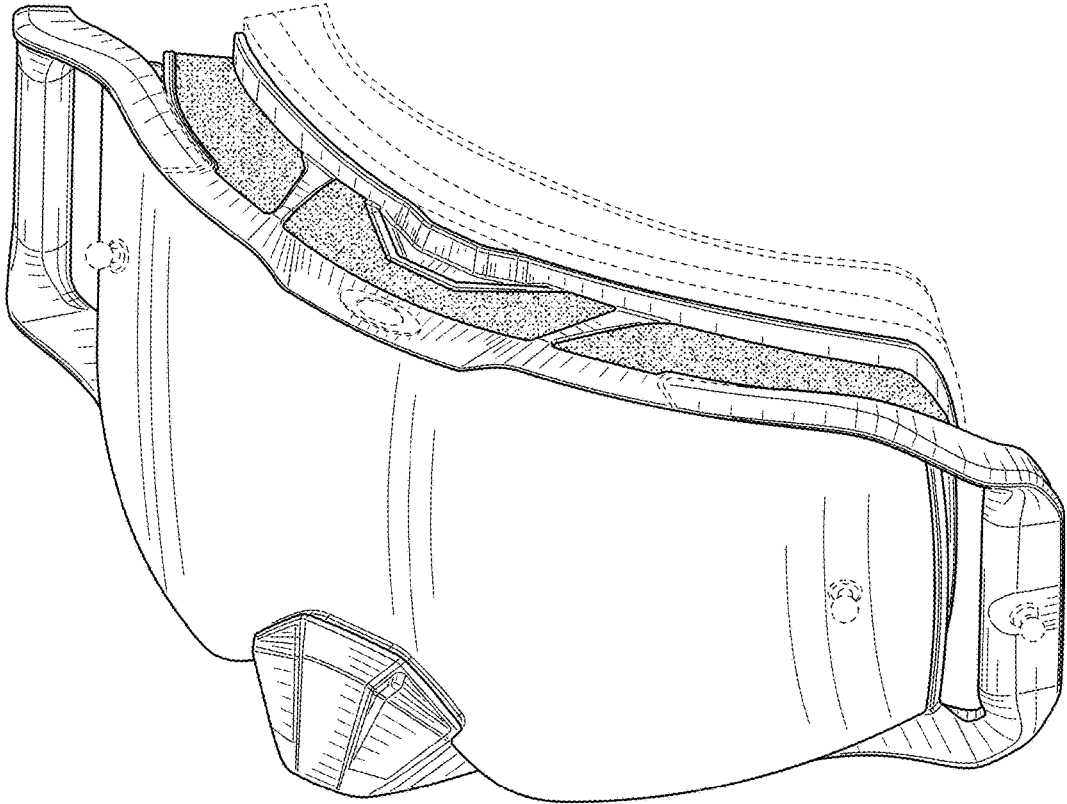


FIG. 1

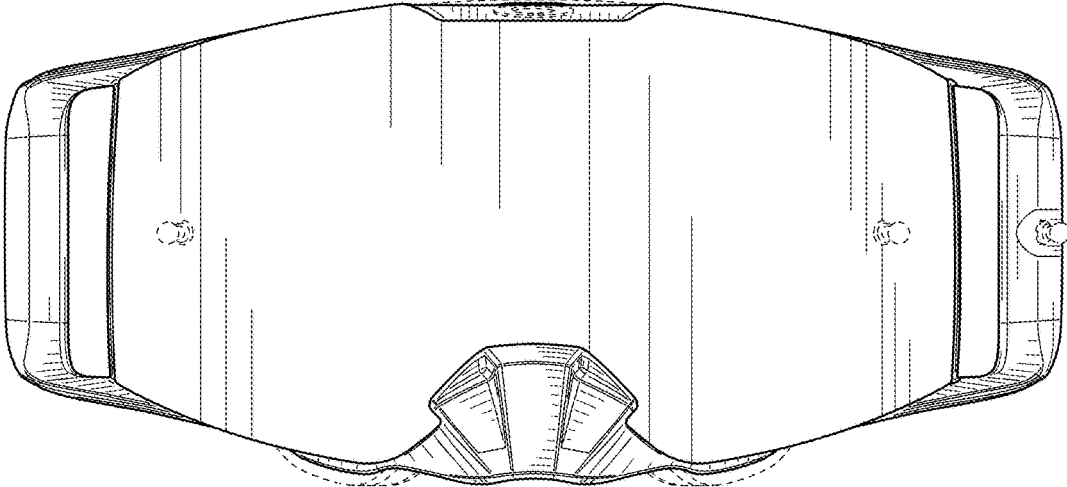


FIG. 2

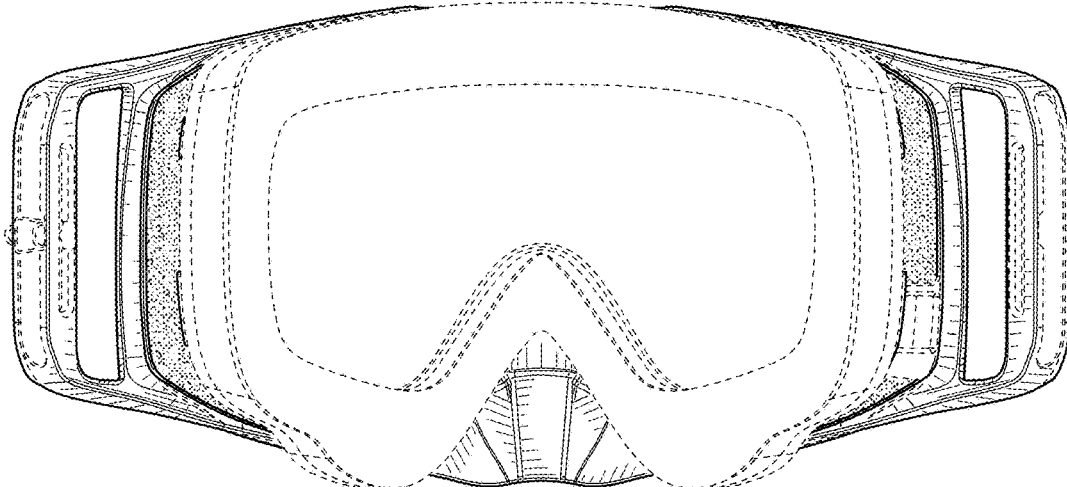


FIG. 3

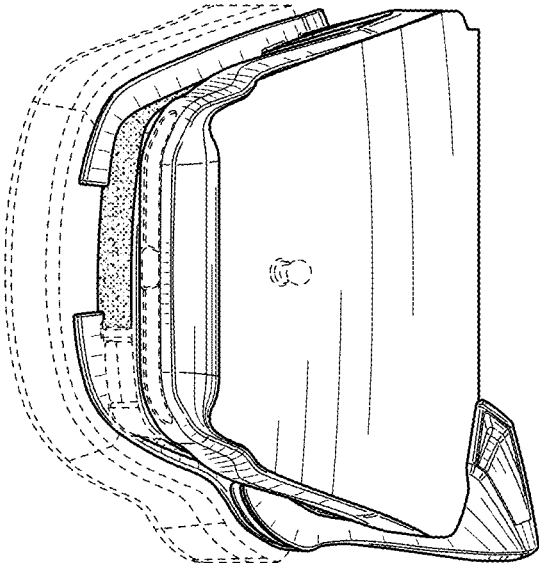


FIG. 4

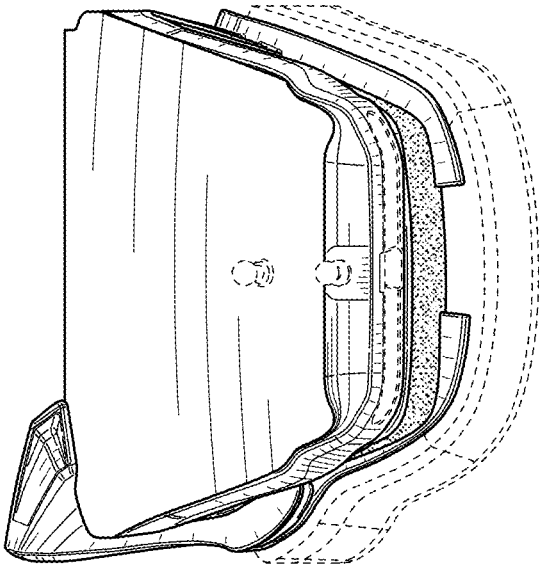


FIG. 5

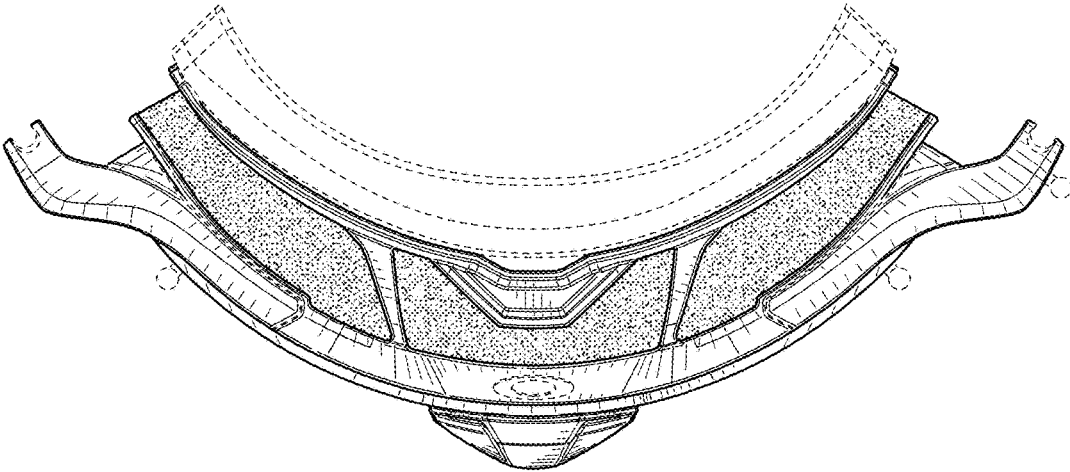


FIG. 6

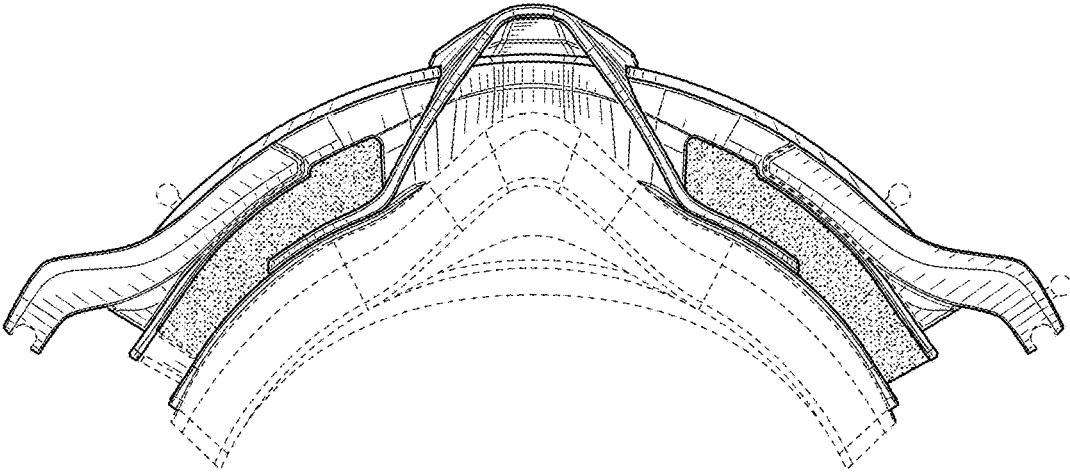


FIG. 7