



US00D344557S

United States Patent [19]

Ashby

[11] Patent Number: Des. 344,557

[45] Date of Patent: ** Feb. 22, 1994

[54] TREADMILL

[75] Inventor: Kent Ashby, Logan, Utah

[73] Assignee: Proform Fitness Products, Inc., Logan, Utah

[**] Term: 14 Years

[21] Appl. No.: 8,792

[22] Filed: May 25, 1993

[52] U.S. Cl. D21/192

[58] Field of Search 482/54, 69, 70, 72; D21/191, 192

[56] **References Cited**

U.S. PATENT DOCUMENTS

D. 207,541	5/1967	Hesen	D21/192
D. 211,801	7/1968	Quinton	D21/192
D. 232,446	8/1974	Townsend	D21/192
D. 270,555	9/1983	Ogden	D21/192
D. 273,029	3/1984	Kullenberg	D21/192
D. 280,002	8/1985	Smith	D21/192
D. 283,239	4/1986	Smith et al.	D21/192
D. 303,414	9/1989	Armstrong et al.	D21/192
D. 304,849	11/1989	Watterson	D21/192
D. 306,891	3/1990	Watterson	D21/192
D. 313,826	1/1991	Birrell et al.	D21/192
D. 315,765	3/1991	Measom et al.	D21/192
D. 316,124	4/1991	Dalebout et al.	D21/192
D. 323,198	1/1992	Dalebout et al.	D21/192
D. 333,330	2/1993	Clem	D21/192
1,082,940	12/1913	Flora	482/54
2,315,485	4/1943	Jones	
3,659,845	5/1972	Quinton	482/54
4,204,673	5/1980	Speer, Sr.	482/54
4,502,679	3/1985	De Lorenzo	482/54
4,566,689	1/1986	Ogden	482/54
4,679,787	7/1987	Guilbault	482/54

4,729,558	3/1988	Kuo	482/54
4,743,015	5/1988	Marshall	482/54
5,110,117	5/1992	Fisher et al.	482/54
5,145,481	9/1992	Friedebach	482/54

FOREIGN PATENT DOCUMENTS

0403924	12/1990	European Pat. Off.
2616132	12/1988	France

OTHER PUBLICATIONS

Vitamaster 960 Treadmill—1991.
 Diversified Products 1990 Catalog, p. 20—DP Power-Trac 2000.
 Battle Creek Equipment Catalog—1988 p. 5, Treadmills.
 Lifstride Treadmill—1991.
 Trotter Treadmill Advertisement—Club Industry Magazine—Jan. 1992—Cover page and p. 52.

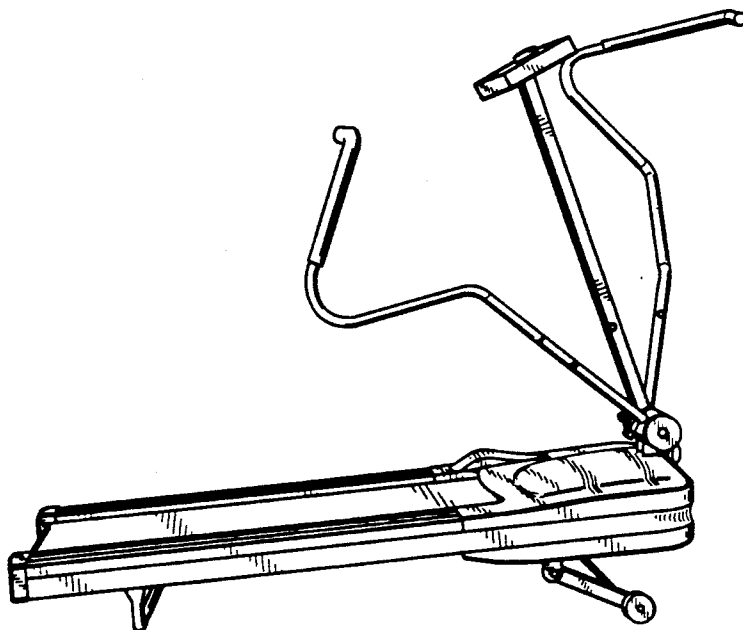
Primary Examiner—Bernard Ansher
Assistant Examiner—Philip Hyder
Attorney, Agent, or Firm—Trask, Britt & Rossa

[57] **CLAIM**

The ornamental design for a treadmill, as shown and described.

DESCRIPTION

FIG. 1 is a perspective view of a treadmill showing my design thereof;
 FIG. 2 is a right side elevational view thereof;
 FIG. 3 is a left side elevational view thereof;
 FIG. 4 is a front elevational view thereof;
 FIG. 5 is a rear elevational view thereof;
 FIG. 6 is a top plan view thereof;
 FIG. 7 is a bottom plan view thereof; and,
 FIG. 8 is a perspective view thereof, with the handles in alternate positions.



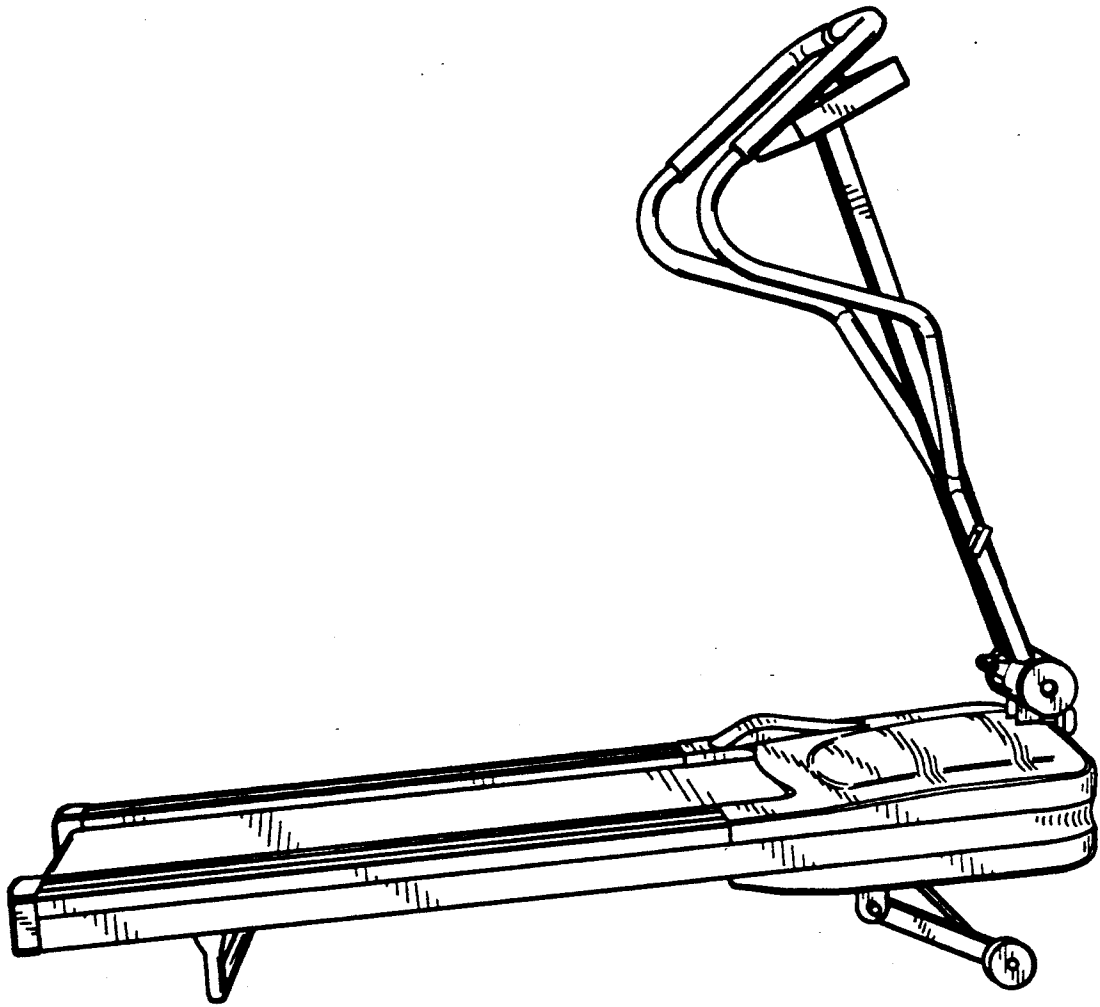


Fig. 1

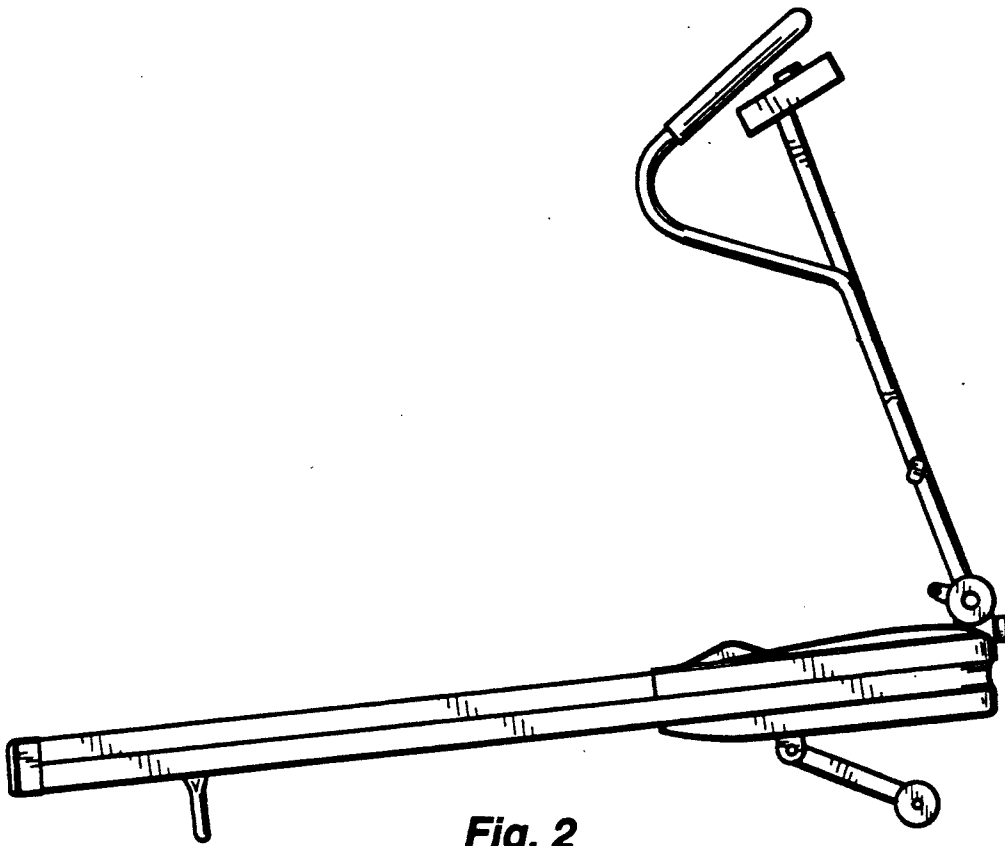


Fig. 2

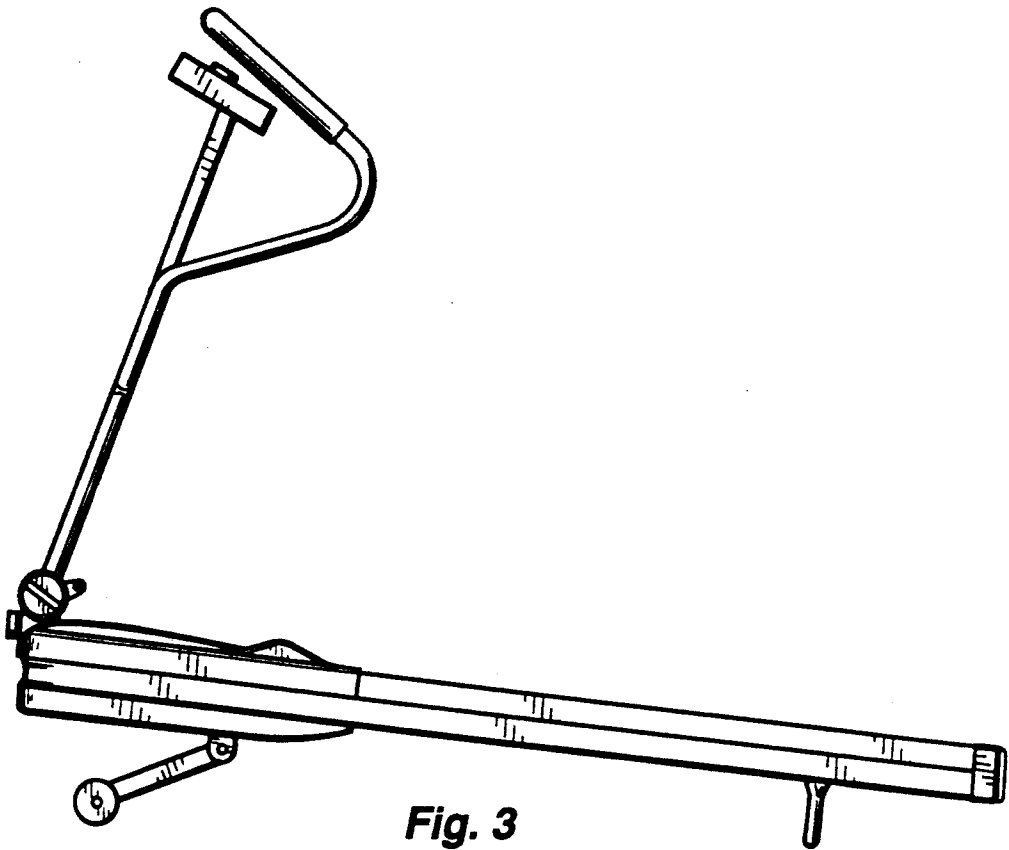


Fig. 3

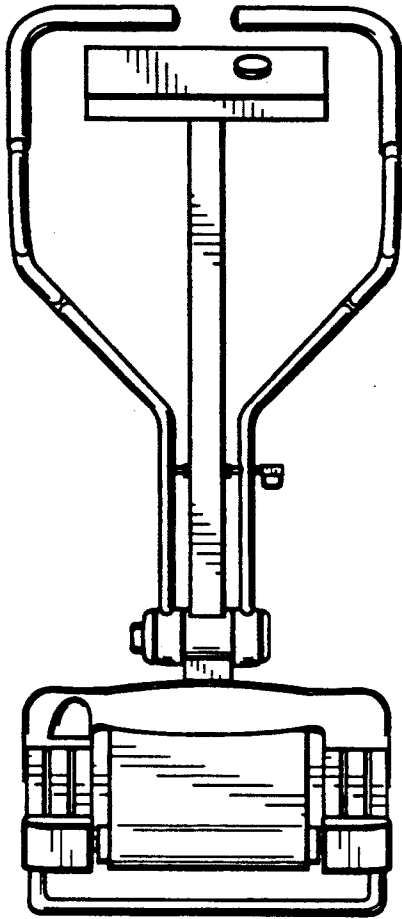


Fig. 4

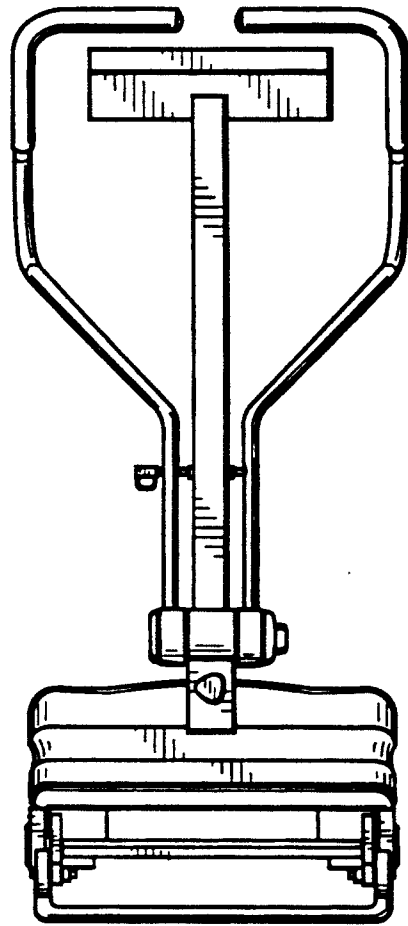


Fig. 5

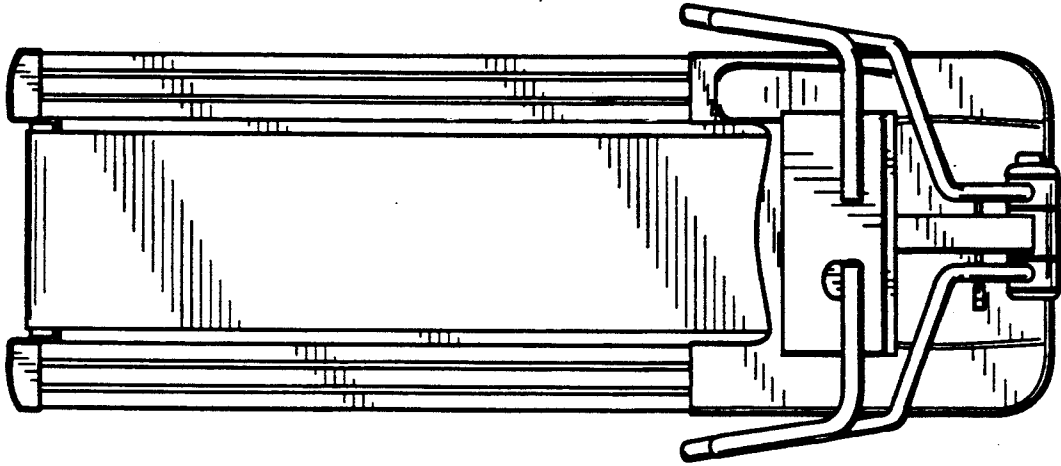


Fig. 6

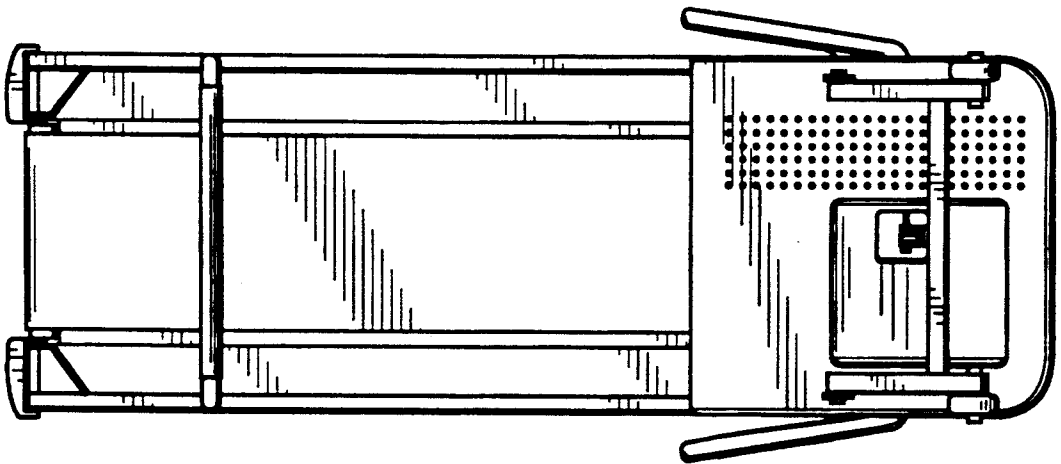


Fig. 7

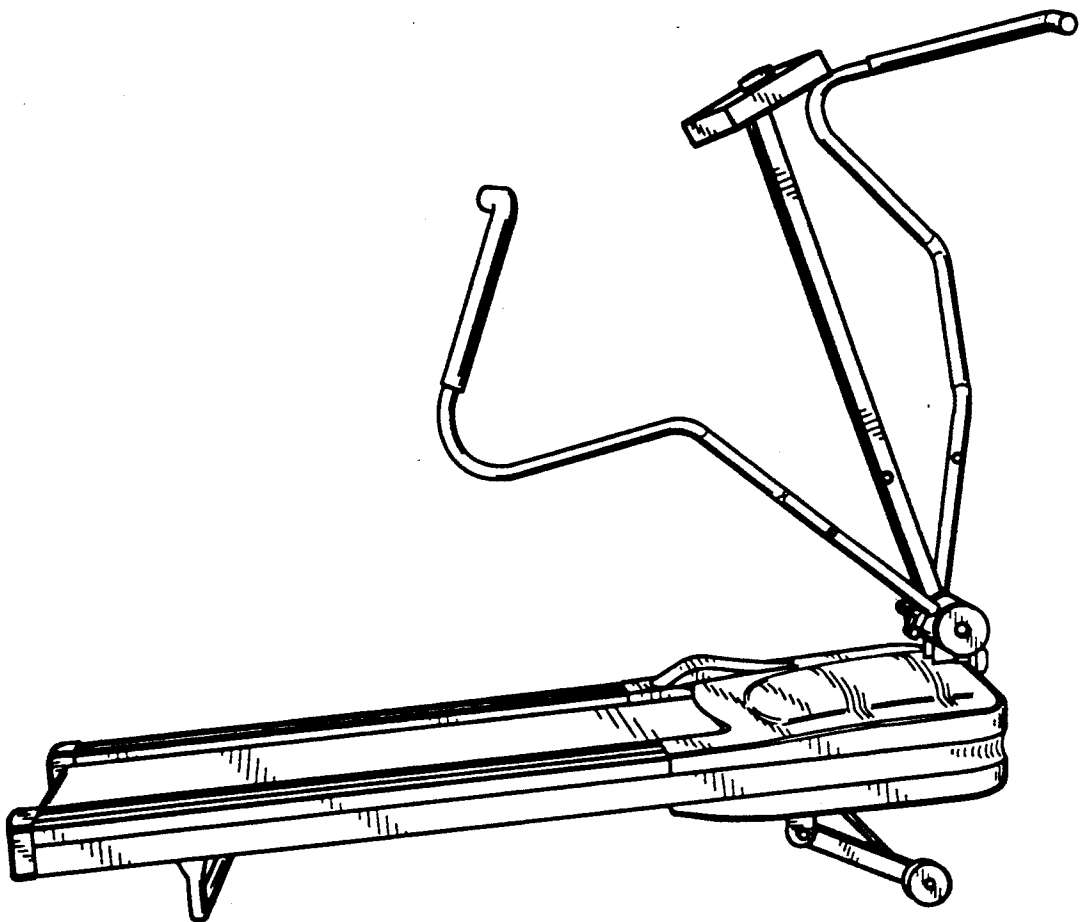


Fig. 8