



US00D578352S

(12) **United States Design Patent**
Hauser

(10) **Patent No.:** **US D578,352 S**

(45) **Date of Patent:** **** Oct. 14, 2008**

(54) **TRAY**

(75) Inventor: **Lawrence M. Hauser**, Federal Way, WA (US)

(73) Assignee: **Progressive International Corporation**, Kent, WA (US)

(**) Term: **14 Years**

(21) Appl. No.: **29/283,603**

(22) Filed: **Aug. 17, 2007**

(51) **LOC (8) Cl.** **07-01**

(52) **U.S. Cl.** **D7/552.2; D7/587**

(58) **Field of Classification Search** D7/360,
D7/392.1, 538, 542, 545, 546, 555, 560, 601,
D7/602, 543, 548, 552.1-554.4, 584, 586-588,
D7/394, 585, 565, 571; D9/430, 431, 433,
D9/702, 703, 655-657; 220/608, 574; 211/74;
229/106

See application file for complete search history.

(56) **References Cited**

U.S. PATENT DOCUMENTS

D212,821 S * 11/1968 Benes D7/545
D261,715 S * 11/1981 Daenen D7/586
D262,104 S * 12/1981 Simpson D13/119
D284,156 S * 6/1986 Dodd et al. D7/558
D288,396 S * 2/1987 Ritman D7/586
D340,617 S * 10/1993 Douglas D7/543
D350,669 S * 9/1994 Conti D7/360

D356,532 S * 3/1995 Butzman D12/133
D358,965 S * 6/1995 Meier et al. D7/554.3
D363,002 S * 10/1995 Douglas D7/543
D384,555 S * 10/1997 Bradley D7/545
D408,682 S * 4/1999 Costa D7/354
D418,017 S * 12/1999 Henry D7/545
D429,442 S * 8/2000 Laib D7/387
D522,804 S * 6/2006 Vendl et al. D7/360
D540,122 S * 4/2007 Wasserman et al. D7/584
D559,042 S * 1/2008 de Groote et al. D7/602

* cited by examiner

Primary Examiner—Charles A. Rademaker

Assistant Examiner—Charles D Hanson

(74) *Attorney, Agent, or Firm*—Black Lowe & Graham, PLLC

(57) **CLAIM**

The ornamental design for a tray, as shown and described.

DESCRIPTION

FIG. 1 is a top view of a tray showing my new design;

FIG. 2 is a front view thereof;

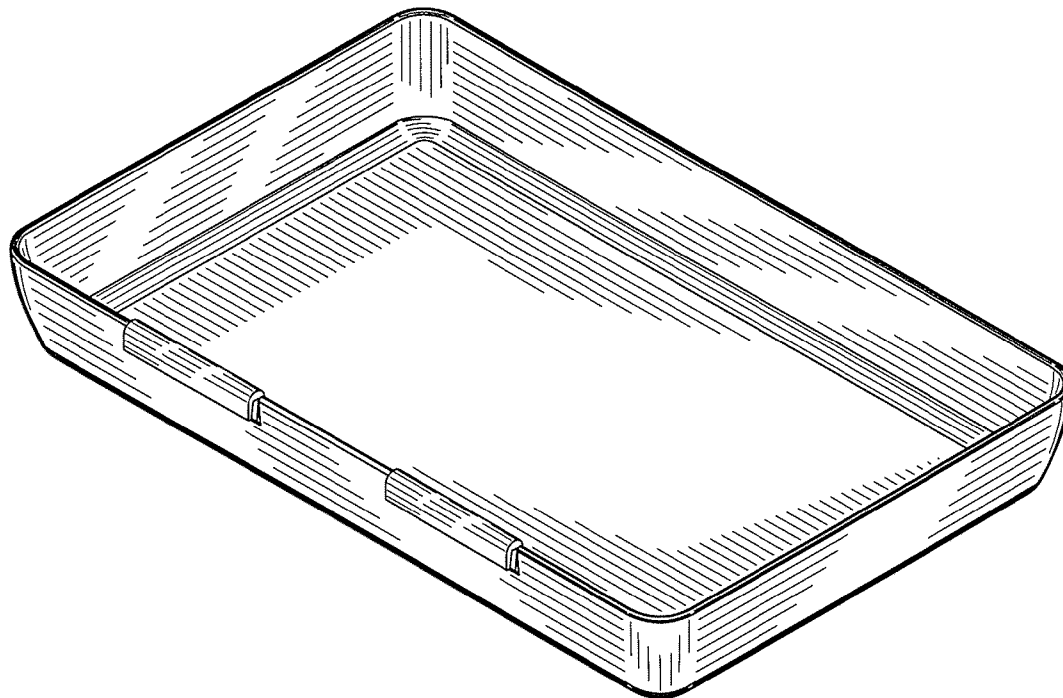
FIG. 3 is a bottom view thereof;

FIG. 4 is a rear side view thereof;

FIG. 5 is a left side view thereof, the right side being a mirror image; and,

FIG. 6 is a perspective view thereof.

1 Claim, 3 Drawing Sheets



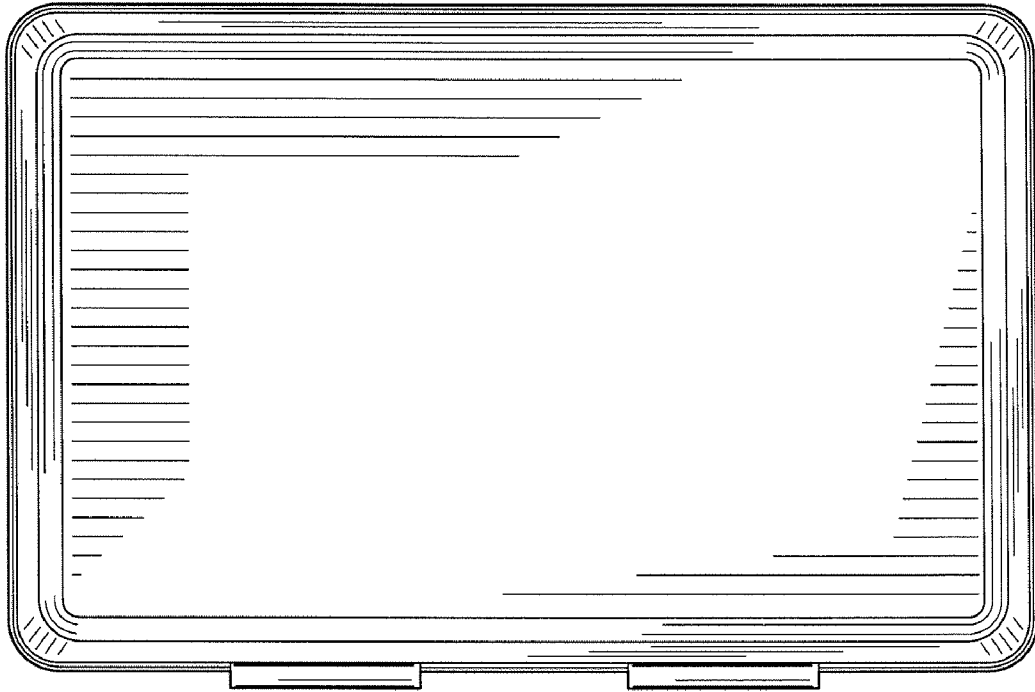


FIG.1

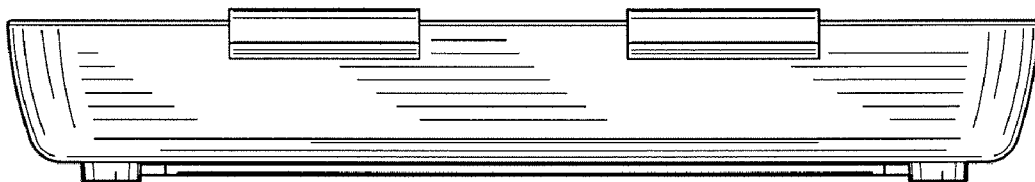


FIG.2

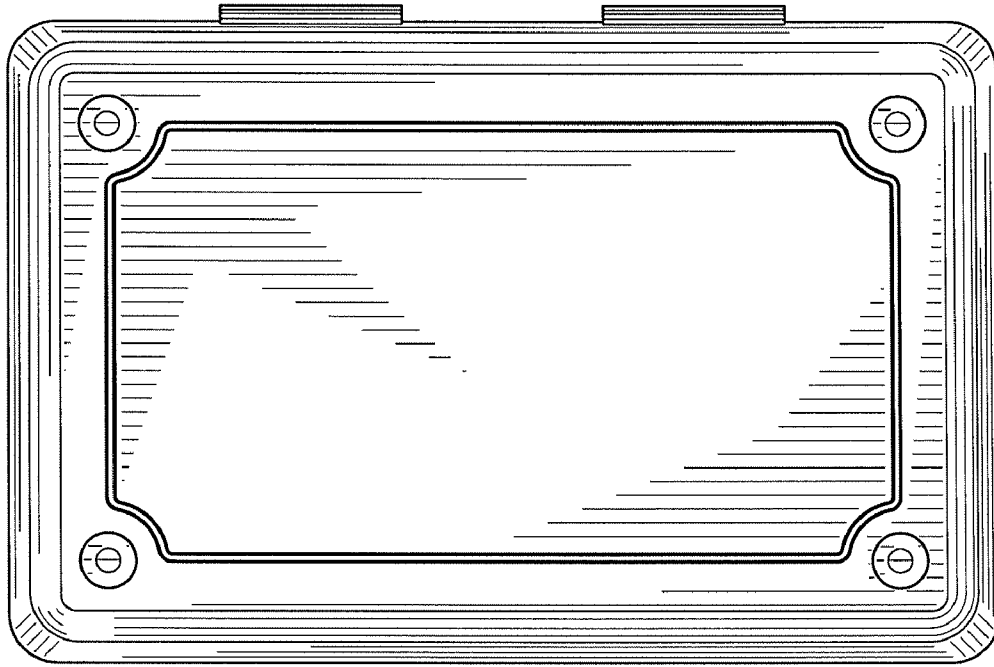


FIG. 3

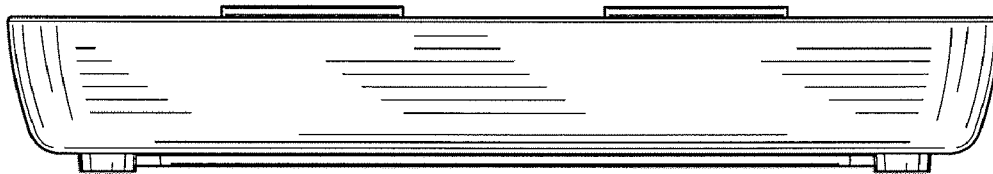


FIG. 4

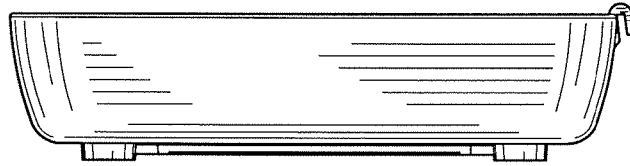


FIG. 5

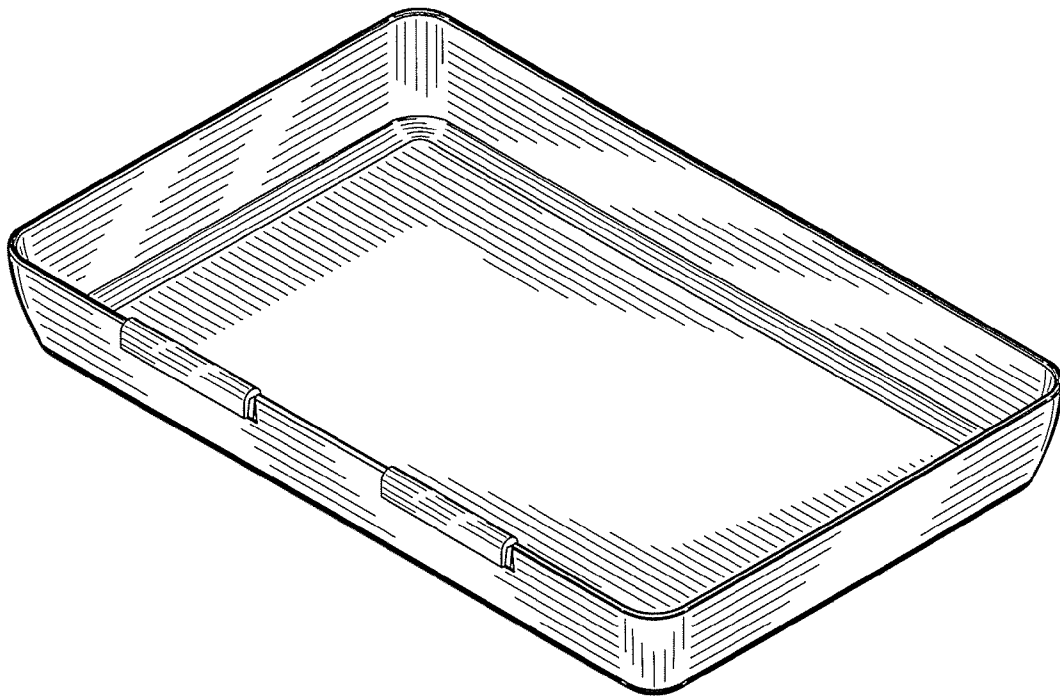


FIG. 6