



US00D357748S

# United States Patent [19]

[11] Patent Number: **Des. 357,748**

**Jansson Jan E.**

[45] Date of Patent: **\* Apr. 25, 1995**

[54] **RETAINING WALL BLOCK**

5,108,231	4/1992	Rausch	405/284
5,154,542	10/1992	Klenert	405/284
5,163,261	11/1992	O'Neill	52/610
5,177,925	1/1993	Winkler et al.	52/607

[76] Inventor: **Jansson Jan E.**, 814 S. Sierra Ave., Solana Beach, Calif. 92075

[\*] Notice: The portion of the term of this patent subsequent to Dec. 20, 2008 has been disclaimed.

**FOREIGN PATENT DOCUMENTS**

2537408 4/1976 Germany .

[\*\*] Term: **14 Years**

**OTHER PUBLICATIONS**

"Loffelstein Engineering Manual" ©, 1988.  
Brochure, "Loffelstein Retaining Walls", circa (1988).

[21] Appl. No.: **15,693**

[22] Filed: **Nov. 24, 1993**

*Primary Examiner*—Doris Clark  
*Attorney, Agent, or Firm*—Dressler, Goldsmith, Shore & Milnamow, Ltd.

[52] U.S. Cl. .... **D25/113**

[58] Field of Search ..... **D25/113-118;**  
405/284, 286, 285, 272, 273; 52/596, 598,  
607-612, 605, 606, 601

[57] **CLAIM**

The ornamental design for a retaining wall block, as shown and described.

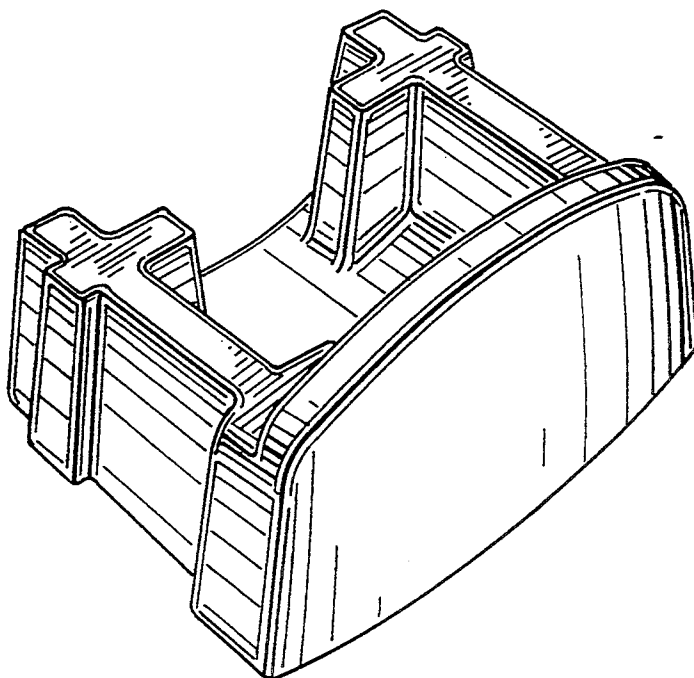
[56] **References Cited**

**U.S. PATENT DOCUMENTS**

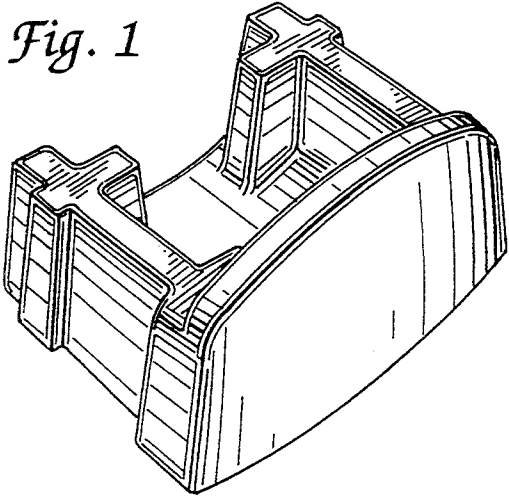
D. 310,267	8/1990	Zeidman	D25/113
2,960,797	11/1960	Frehner	D25/113
4,379,659	4/1983	Steiner	405/284
4,470,728	9/1984	Broadbent	405/284
4,671,706	6/1987	Giardini	405/286
4,684,294	8/1987	O'Neill	405/286
4,964,761	10/1990	Rossi	405/286
5,066,169	11/1991	Gavin et al.	405/284
5,072,566	12/1991	Zeidman	52/608

**DESCRIPTION**

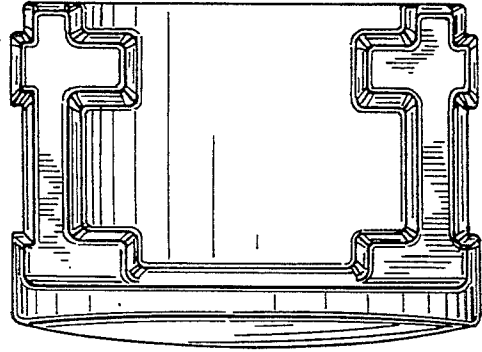
FIG. 1 is a perspective view of a retaining wall block showing my new design;  
FIG. 2 is a top plan view thereof;  
FIG. 3 is a side elevational view thereof, the other side being a mirror image of that shown;  
FIG. 4 is a rear elevational view thereof;  
FIG. 5 is a front elevational view thereof; and,  
FIG. 6 is a bottom plan view thereof.



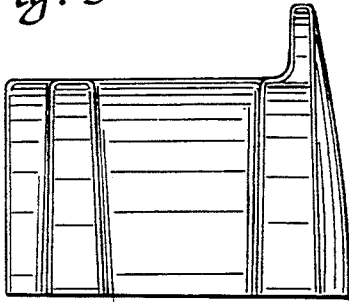
*Fig. 1*



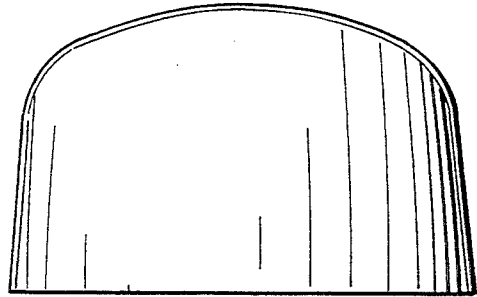
*Fig. 2*



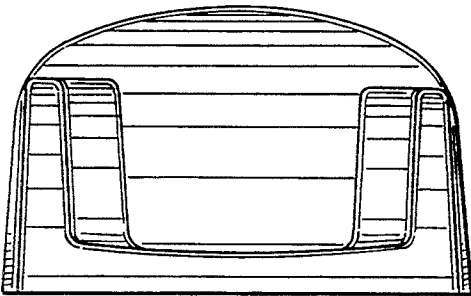
*Fig. 3*



*Fig. 4*



*Fig. 5*



*Fig. 6*

