



US00D417990S

United States Patent [19] Yemini

[11] Patent Number: **Des. 417,990**
[45] Date of Patent: **** Dec. 28, 1999**

- [54] **SHOWER CADDY**
- [75] Inventor: **Zvi Yemini**, Tel Aviv, Israel
- [73] Assignee: **Zenith Products Corp.**, New Castle, Del.
- [**] Term: **14 Years**
- [21] Appl. No.: **29/089,661**
- [22] Filed: **Jun. 19, 1998**

D. 309,225	7/1990	Scarbro	D6/525
D. 349,002	7/1994	Greger	D6/525
D. 382,750	8/1997	Andrus	D6/525
D. 392,484	3/1998	Yemini	D6/525
D. 404,948	2/1999	Yemini	D6/525

Primary Examiner—Brian N. Vinson
Attorney, Agent, or Firm—Edgar A. Zarins; Lloyd D. Doigan

[57] CLAIM

The ornamental design for a shower caddy, as shown and described.

Related U.S. Application Data

- [62] Division of application No. 29/065,691, Jan. 24, 1997.
- [51] **LOC (6) Cl.** **07-07**
- [52] **U.S. Cl.** **D6/525**
- [58] **Field of Search** D6/524, 525; 211/13.1, 211/86-88, 90, 126.1, 134

References Cited

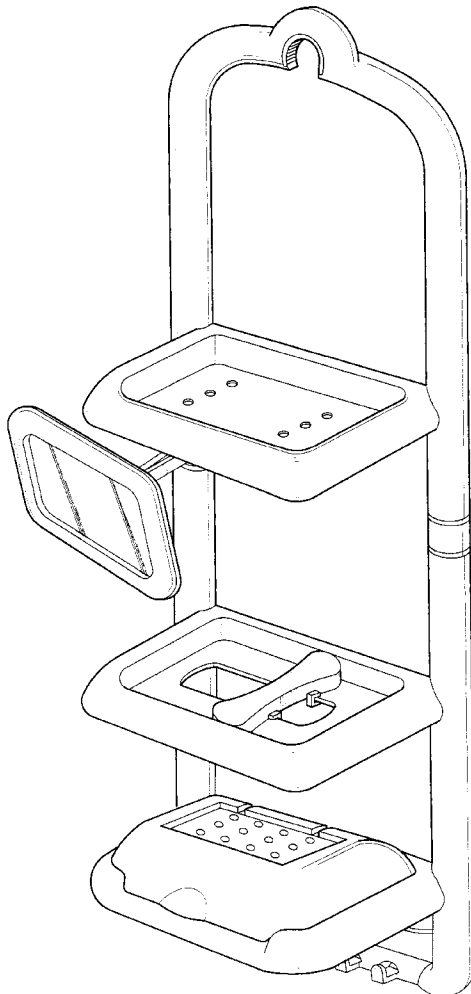
U.S. PATENT DOCUMENTS

D. 293,183	12/1987	Aaron	D6/525
D. 298,990	12/1988	Chap	D6/309

DESCRIPTION

FIG. 1 is a perspective view of a shower caddy showing my new design;
 FIG. 2 is a front elevational view thereof;
 FIG. 3 is a rear elevational view thereof;
 FIG. 4 is a top plan view thereof;
 FIG. 5 is a bottom plan view thereof;
 FIG. 6 is a left side view thereof; and,
 FIG. 7 is a right side view thereof.

1 Claim, 3 Drawing Sheets



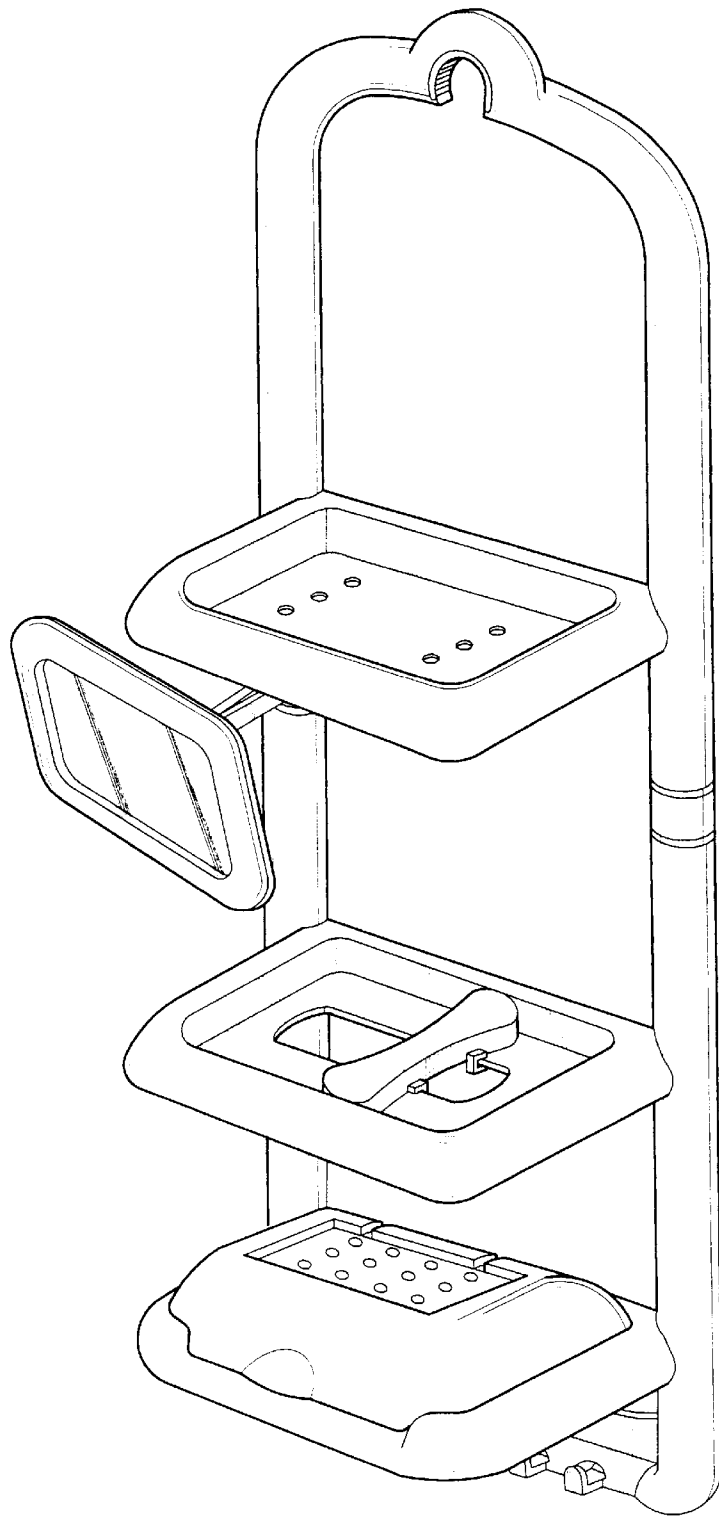


Fig-1

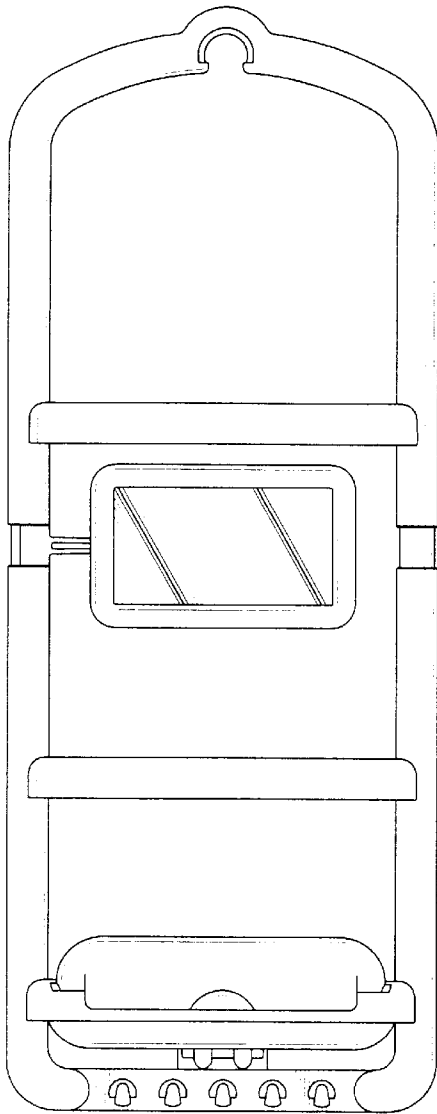


Fig-2

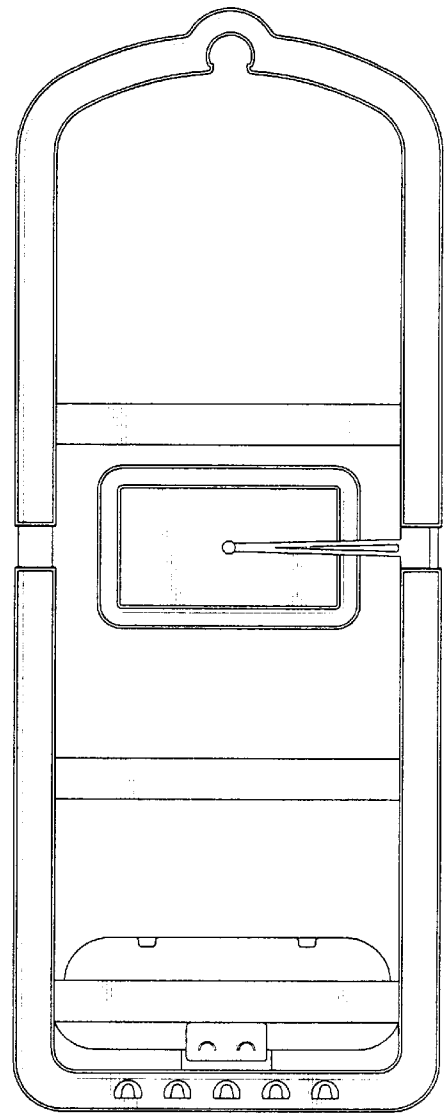


Fig-3

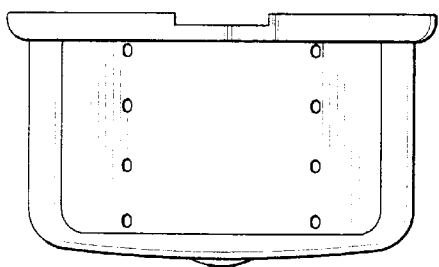


Fig-4

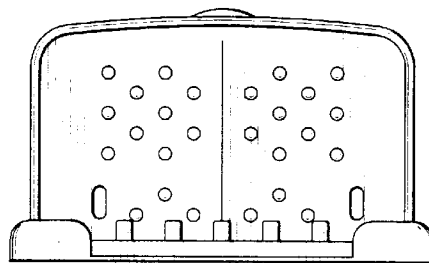


Fig-5

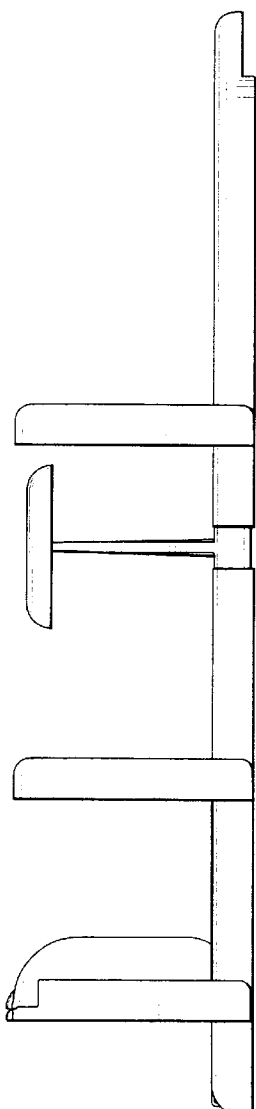


Fig-6

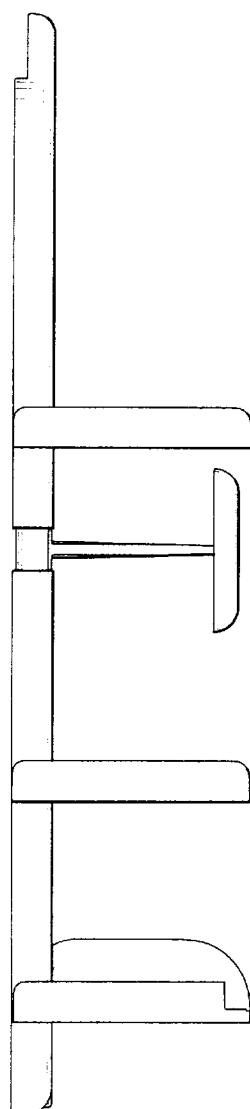


Fig-7