



US00D443889S

(12) **United States Design Patent**
Yamano et al.

(10) **Patent No.:** **US D443,889 S**

(45) **Date of Patent:** **** Jun. 19, 2001**

(54) **PRINTER**

(75) Inventors: **Hirokazu Yamano; Ikuo Masujima; Satoshi Fujioka**, all of Nagano-ken (JP)

(73) Assignee: **Seiko Epson Corporation**, Tokyo (JP)

(**) Term: **14 Years**

(21) Appl. No.: **29/122,825**

(22) Filed: **May 4, 2000**

(30) **Foreign Application Priority Data**

Nov. 4, 1999 (JP) 11-30492

(51) **LOC (7) Cl.** **14-02**

(52) **U.S. Cl.** **D18/50**

(58) **Field of Search** D18/36-39, 50, D18/54-55; D14/420-431, 462-470; 400/613, 613.1-613.4, 691-694, 690.1-690.4; 355/19, 128; 358/400-401, 501-502, 505-506, 468

(56) **References Cited**

U.S. PATENT DOCUMENTS

D. 219,148 * 11/1970 Priessnetz D14/462

D. 220,188 * 3/1971 Kalvitis D18/54
D. 232,055 * 7/1974 Frick D18/54
D. 279,985 * 8/1985 Thom D18/54
D. 398,632 * 9/1998 Dodge et al. D18/36
D. 415,789 * 10/1999 Lardant D18/50
D. 424,610 * 5/2000 Scarton et al. D18/55
D. 431,596 * 10/2000 Berger D18/50
6,152,630 * 11/2000 Scarton et al. 400/693

* cited by examiner

Primary Examiner—Cathy Anne MacCormac

(74) *Attorney, Agent, or Firm*—Sughrue, Mion, Zinn, Macpeak & Seas, PLLC

(57) **CLAIM**

The ornamental design for a printer, as shown.

DESCRIPTION

FIG. 1 is a perspective view of the top, front and right side of a printer showing our new design;
FIG. 2 is a front elevational view thereof;
FIG. 3 is a top plan view thereof;
FIG. 4 is a bottom plan view thereof;
FIG. 5 is a right side elevational view thereof;
FIG. 6 is a left side elevational view thereof; and,
FIG. 7 is a rear elevational view thereof.

1 Claim, 3 Drawing Sheets

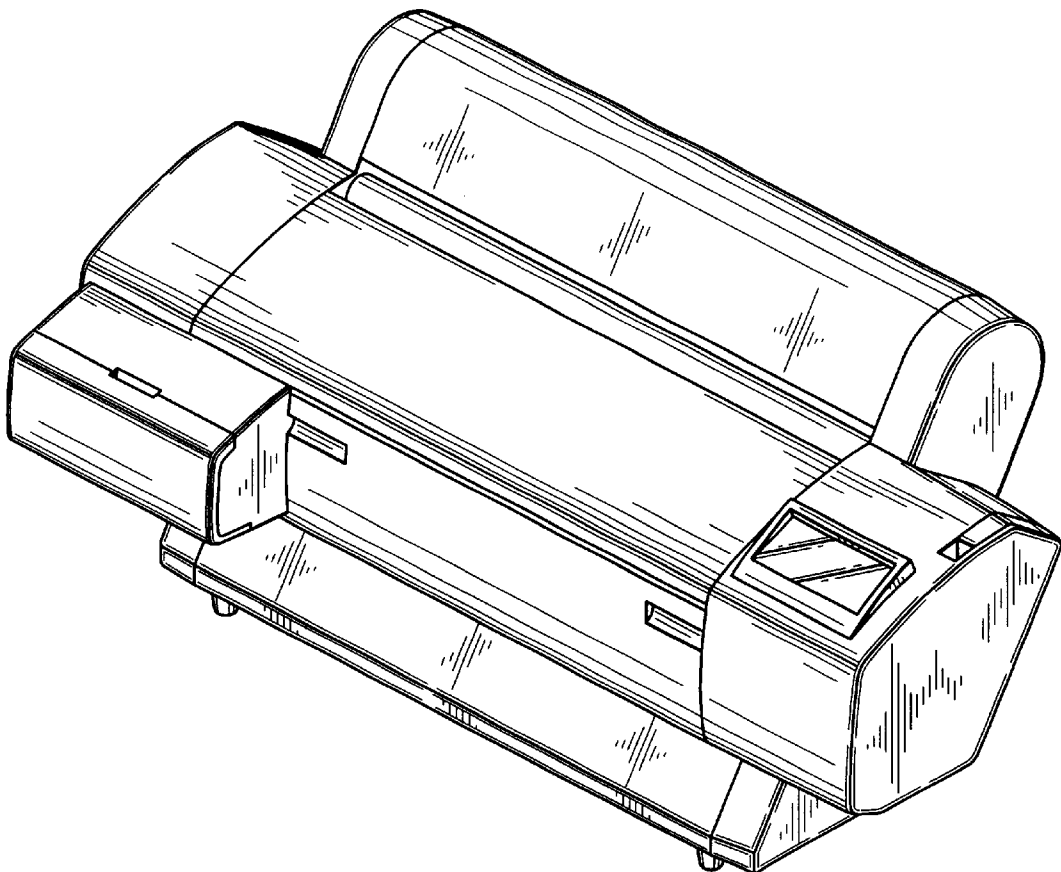


FIG. 1

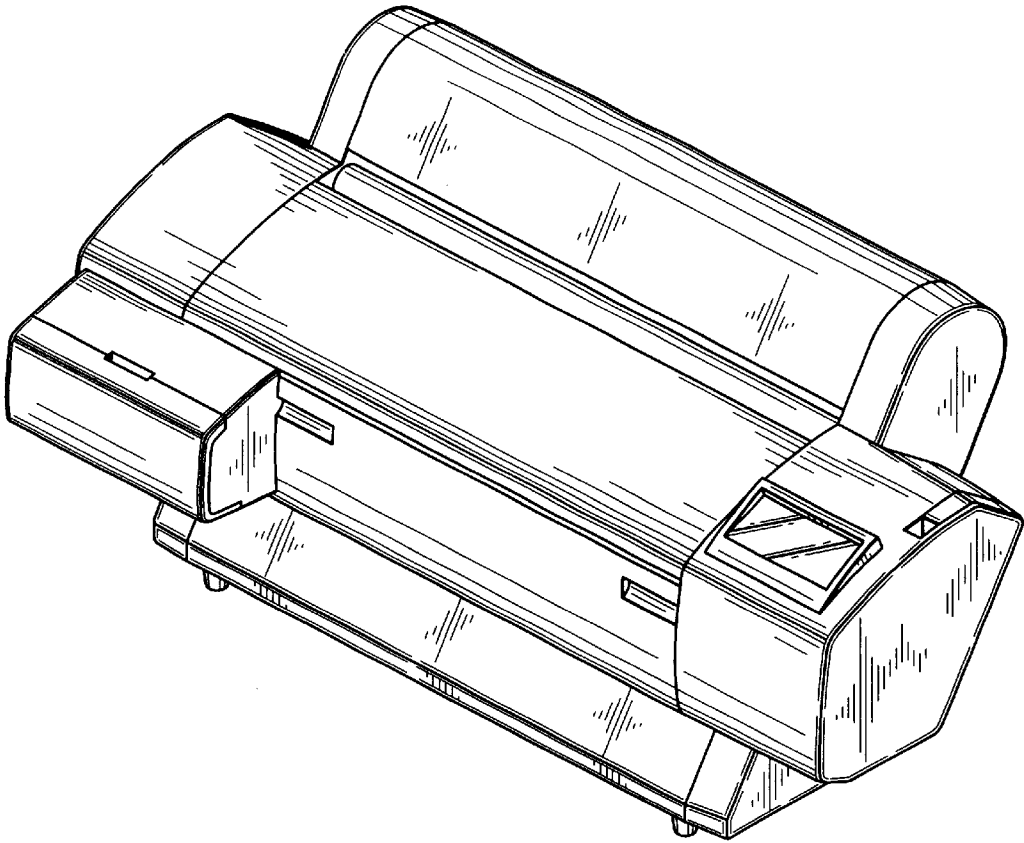


FIG. 2

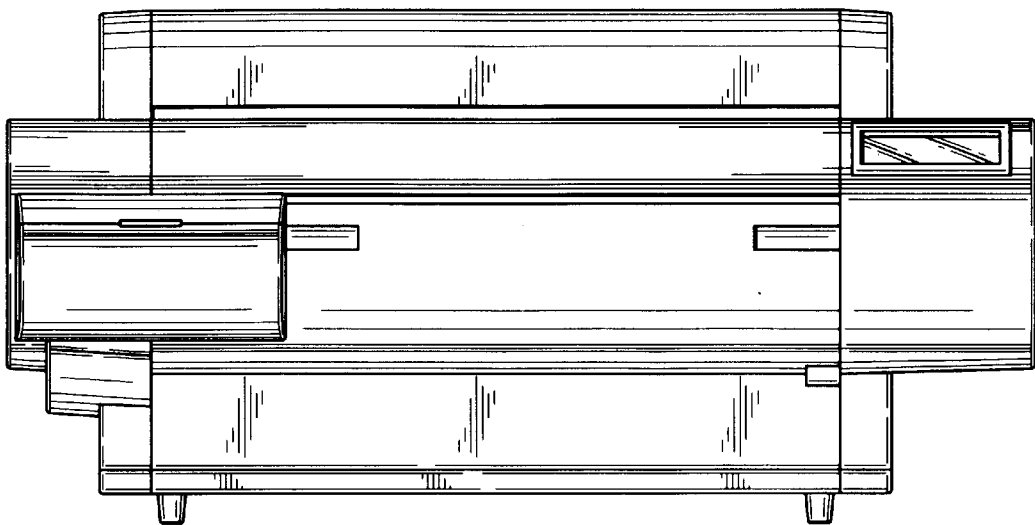


FIG. 3



FIG. 4

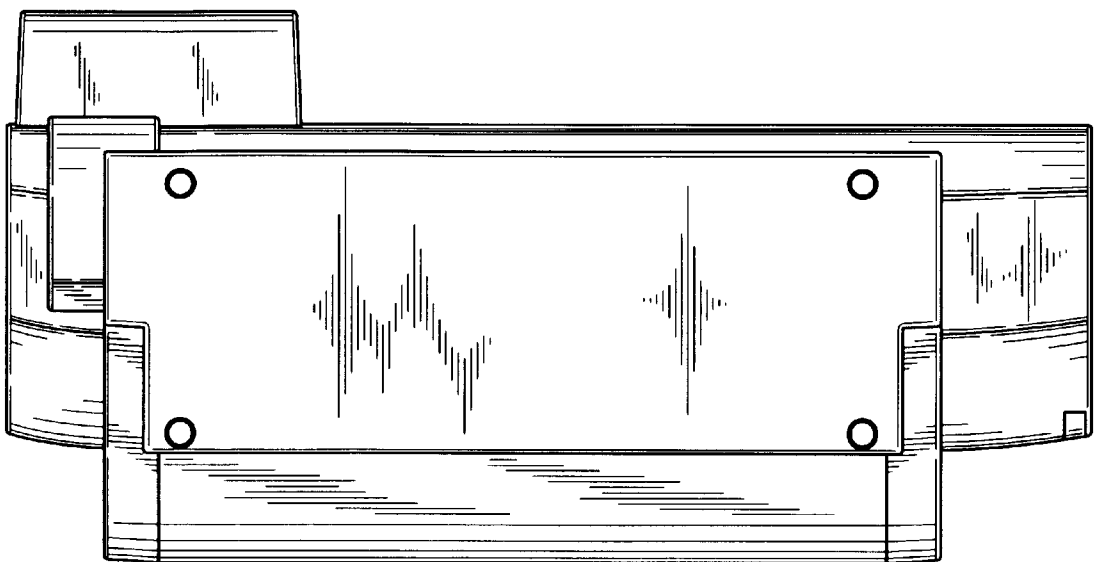


FIG. 5

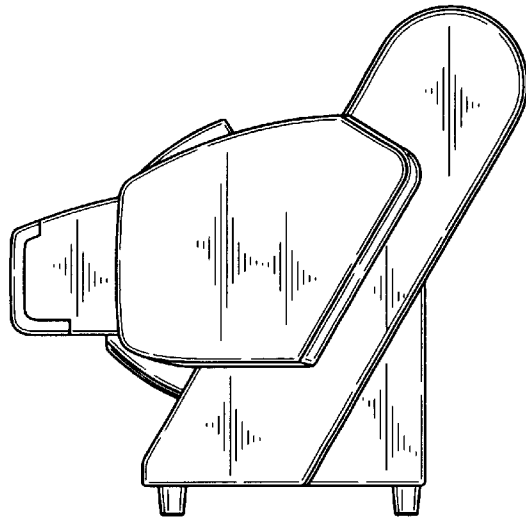


FIG. 6

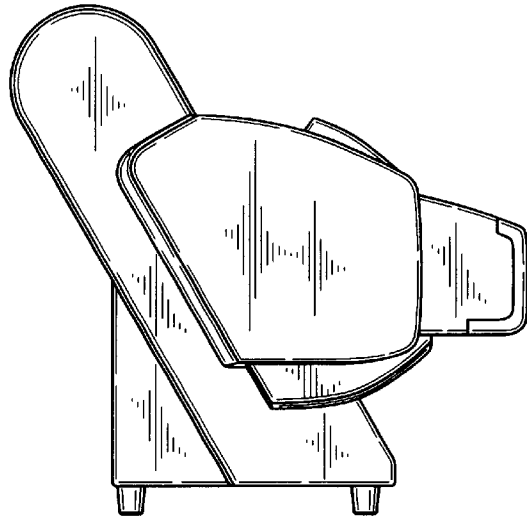


FIG. 7

