



(12) **United States Design Patent**  
**Liu**

(10) **Patent No.:** **US D964,323 S**  
(45) **Date of Patent:** **\*\* Sep. 20, 2022**

(54) **CASE WITH EARPHONES**

(71) Applicant: **Realme Mobile Telecommunications (Shenzhen) Co., Ltd.**, Shenzhen (CN)

(72) Inventor: **Bingxin Liu**, Shenzhen (CN)

(73) Assignee: **Realme Mobile Telecommunications (Shenzhen) Co., Ltd.**, Shenzhen (CN)

(\*\*) Term: **15 Years**

(21) Appl. No.: **29/775,865**

(22) Filed: **Mar. 25, 2021**

(30) **Foreign Application Priority Data**

Sep. 27, 2020 (CN) ..... 202030580968.2

(51) **LOC (13) Cl.** ..... **14-01**

(52) **U.S. Cl.**  
USPC ..... **D14/223**

(58) **Field of Classification Search**  
USPC ..... D14/223, 205, 224; D13/108; D3/201,  
D3/274, 294; D9/420, 424, 529, 521;  
(Continued)

(56) **References Cited**

**U.S. PATENT DOCUMENTS**

D572,654 S \* 7/2008 Kang ..... D13/107  
D735,131 S \* 7/2015 Akana ..... D13/108  
(Continued)

**FOREIGN PATENT DOCUMENTS**

EM 001481451-0001 \* 3/2021  
EM 008842231-0001 \* 1/2022  
(Continued)

*Primary Examiner* — Paula Allen Greene

(74) *Attorney, Agent, or Firm* — Young Basile Hanlon & MacFarlane, P.C.

(57) **CLAIM**

The ornamental design for a case with earphones, as shown and described.

**DESCRIPTION**

FIG. 1 is a perspective view of a case with earphones showing my new design.

FIG. 2 is an exploded perspective view of the case with earphones of FIG. 1.

FIG. 3 is a right side view of the case with earphones of FIG. 1.

FIG. 4 is a front perspective view of the case in closed position of FIG. 1.

FIG. 5 is a front view of the case in closed position of FIG. 1.

FIG. 6 is a rear view of the case in closed position of FIG. 1.

FIG. 7 is a left side view of the case in closed position of FIG. 1.

FIG. 8 is a right side view of the case in closed position of FIG. 1.

FIG. 9 is a top view of the case in closed position of FIG. 1.

FIG. 10 is a bottom view of the case in closed position of FIG. 1.

FIG. 11 is a front perspective view of the left earphone of FIG. 1.

FIG. 12 is a rear perspective view of the left earphone of FIG. 1.

FIG. 13 is a front view of the left earphone of FIG. 1.

FIG. 14 is a rear view of the left earphone of FIG. 1.

FIG. 15 is a left side view of the left earphone of FIG. 1.

FIG. 16 is a right side view of the left earphone of FIG. 1.

FIG. 17 is a top view of the left earphone of FIG. 1.

FIG. 18 is a bottom view of the left earphone of FIG. 1.

FIG. 19 is a front perspective view of the right earphone of FIG. 1.

FIG. 20 is a rear perspective view of the right earphone of FIG. 1.

FIG. 21 is a front view of the right earphone of FIG. 1.

FIG. 22 is a rear view of the right earphone of FIG. 1.

FIG. 23 is a left side view of the right earphone of FIG. 1.

FIG. 24 is a right side view of the right earphone of FIG. 1.

(Continued)

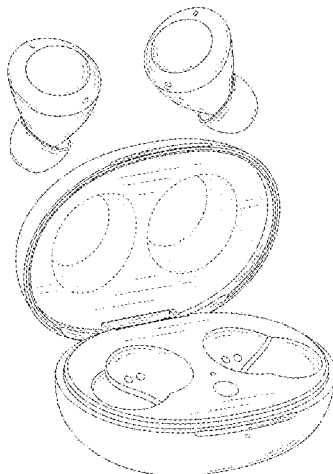


FIG. 25 is a top view of the right earphone of FIG. 1; and, FIG. 26 is a bottom view of the right earphone of FIG. 1. The broken lines depict portions of the case with earphones that form no part of the claimed design.

**1 Claim, 13 Drawing Sheets**

(58) **Field of Classification Search**

USPC ..... D28/83, 66, 76, 78; 206/702, 268;  
 220/4.22; D24/174; 128/864-866;  
 381/380-381, 322, 328; 320/110;  
 455/90.3, 575.1, 569.1  
 CPC . H02J 7/025; A61F 11/08; H04R 1/10; H04R  
 1/1066; H04R 1/1016; H04R 5/033;  
 H04R 5/0335; B65D 25/10  
 See application file for complete search history.

(56) **References Cited**

U.S. PATENT DOCUMENTS

D818,268 S \* 5/2018 Akana ..... D3/294  
 D821,970 S \* 7/2018 Loermann ..... D13/107  
 D838,480 S \* 1/2019 Son ..... D3/294  
 D841,580 S \* 2/2019 Bao ..... D13/108  
 D841,581 S \* 2/2019 Bonahoom ..... D13/108  
 D841,626 S \* 2/2019 Tang ..... D14/223  
 D842,844 S \* 3/2019 Li ..... D14/223  
 10,234,133 B2 \* 3/2019 Hirsch ..... H04R 1/1041  
 D845,932 S \* 4/2019 Lu ..... D14/223  
 D863,260 S \* 10/2019 Zheng ..... D14/223  
 D870,451 S \* 12/2019 Birger ..... D14/223  
 D873,217 S \* 1/2020 Zhang ..... D3/294  
 D883,958 S \* 5/2020 Liu ..... D14/223  
 D887,351 S \* 6/2020 Bonahoom ..... D13/108  
 D888,664 S \* 6/2020 Ma ..... D13/108  
 10,701,472 B1 \* 6/2020 Xu ..... H02J 7/0044  
 D892,083 S \* 8/2020 Kwak ..... D14/217  
 D892,087 S \* 8/2020 Briggs ..... D14/223  
 D894,160 S \* 8/2020 Andreovski ..... D14/223  
 D895,580 S \* 9/2020 Yu ..... D14/223  
 D896,205 S \* 9/2020 Zhang ..... D14/223  
 D897,318 S \* 9/2020 Blundell ..... D14/223  
 D897,319 S \* 9/2020 Wang ..... D14/223  
 D897,322 S \* 9/2020 Wei ..... D14/223  
 D897,997 S \* 10/2020 Zhang ..... D14/223

D900,064 S \* 10/2020 Laffon de Mazieres .... D14/223  
 D902,183 S \* 11/2020 Knudsen ..... D14/223  
 D902,184 S \* 11/2020 Yang ..... D14/223  
 D902,588 S \* 11/2020 Zhang ..... D3/294  
 10,827,249 B1 \* 11/2020 Pine ..... H04R 1/1041  
 D903,638 S \* 12/2020 Li ..... D14/223  
 D904,025 S \* 12/2020 Ma ..... D3/294  
 D904,349 S \* 12/2020 Saxton ..... D14/223  
 D906,292 S \* 12/2020 Wang ..... D14/223  
 D908,667 S \* 1/2021 He ..... D14/223  
 D909,995 S \* 2/2021 Cai ..... D14/223  
 D911,027 S \* 2/2021 Liang ..... D3/274  
 D912,016 S \* 3/2021 Ando ..... D14/223  
 D912,647 S \* 3/2021 Williamson ..... D14/223  
 D912,648 S \* 3/2021 Williamson ..... D14/223  
 D913,223 S \* 3/2021 Li ..... D3/294  
 D915,358 S \* 4/2021 Ma ..... D14/223  
 D917,425 S \* 4/2021 Wang ..... D14/223  
 D918,138 S \* 5/2021 Ma ..... D3/294  
 D920,288 S \* 5/2021 Vautour ..... D14/223  
 D920,958 S \* 6/2021 Ye ..... D14/223  
 D922,358 S \* 6/2021 Li ..... D14/223  
 D924,798 S \* 7/2021 Ando ..... D3/294  
 D924,850 S \* 7/2021 Takubo ..... D14/223  
 D925,492 S \* 7/2021 Sugiura ..... D14/223  
 D925,497 S \* 7/2021 Laffon de Mazieres .... D14/223  
 D927,417 S \* 8/2021 Sretovic ..... D3/294  
 D929,970 S \* 9/2021 Lin ..... D14/223  
 D936,040 S \* 11/2021 Zhao ..... D14/223  
 D941,275 S \* 1/2022 Liu ..... D14/223  
 11,240,587 B1 \* 2/2022 DeMaio ..... H04R 1/1016  
 D949,786 S \* 4/2022 Hachiri ..... D3/294  
 2009/0145090 A1 \* 6/2009 Vassigh ..... B65D 75/22  
 220/795  
 2019/0069066 A1 \* 2/2019 Song ..... E05C 19/16  
 2020/0107098 A1 \* 4/2020 DiFonzo ..... H01F 1/147  
 2021/0152921 A1 \* 5/2021 Silva ..... H04R 1/1058  
 2022/0029456 A1 \* 1/2022 Leung ..... H04R 1/1016  
 2022/0109922 A1 \* 4/2022 Takubo ..... H04R 1/345

FOREIGN PATENT DOCUMENTS

GB 6188747 \* 1/2022  
 GB 6197685 \* 3/2022  
 GB 6198150 \* 3/2022  
 JP D1694076 \* 8/2021  
 KR 300904820.0000 \* 4/2017  
 TW 215431-0001 \* 8/2020

\* cited by examiner

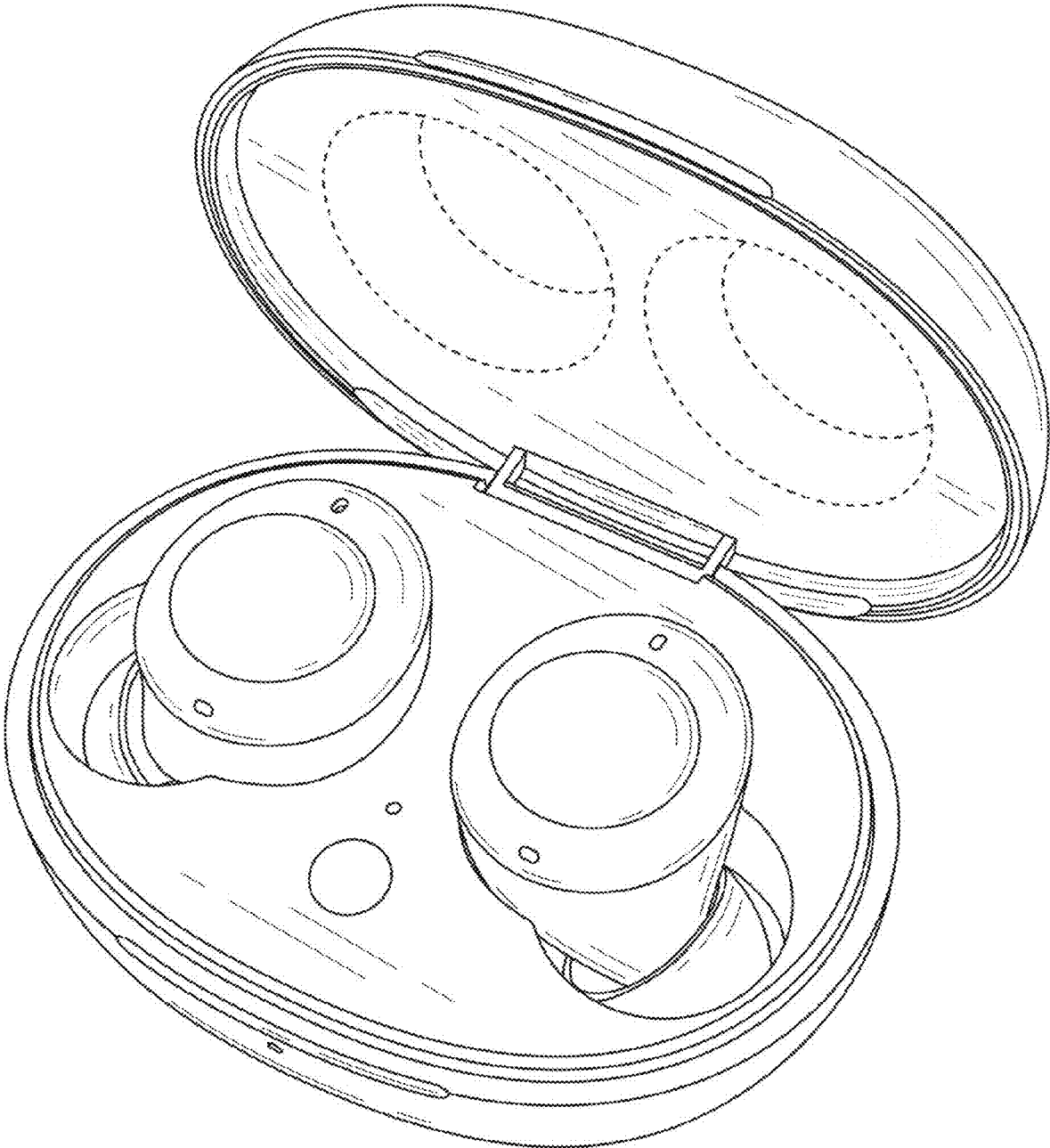


FIG. 1

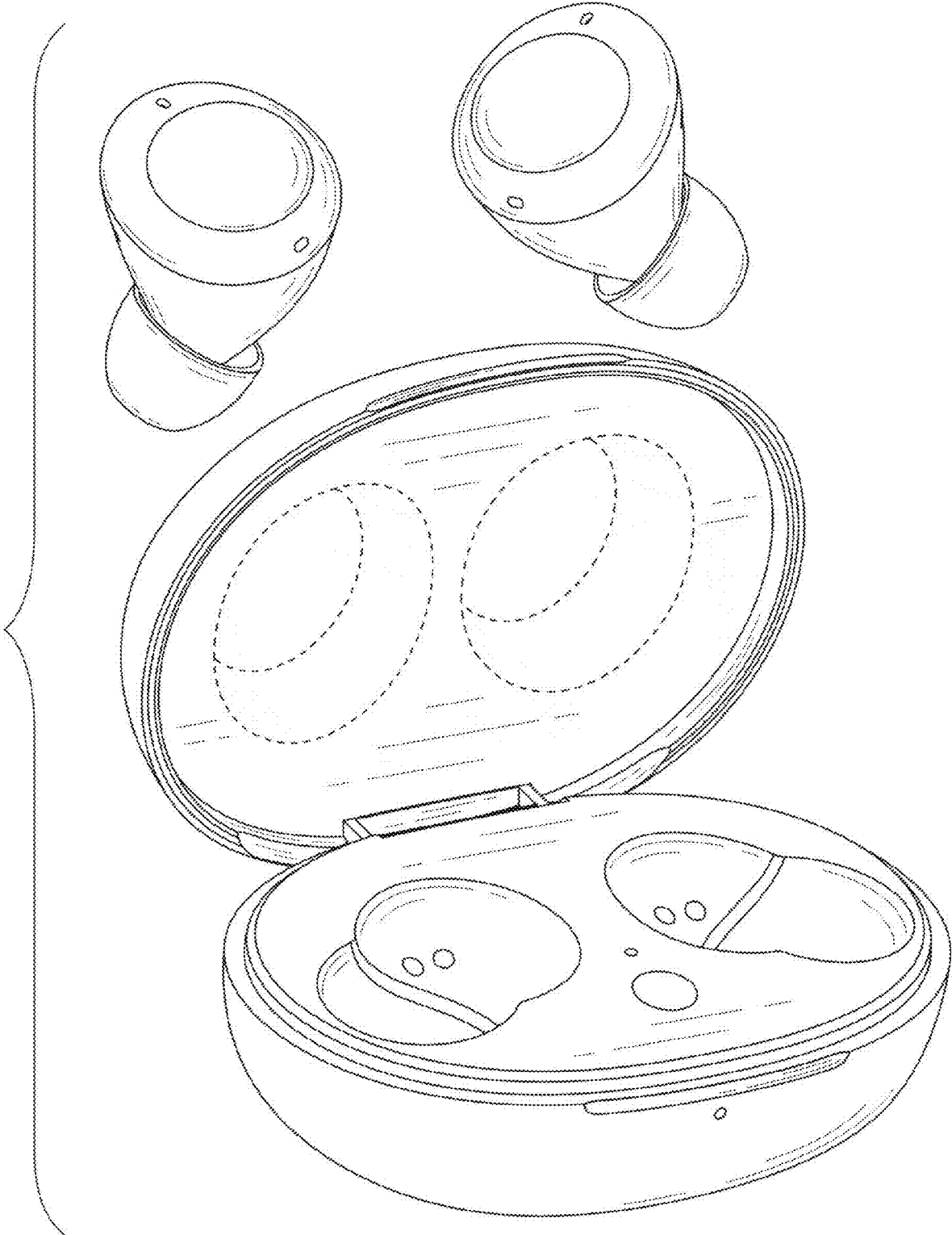
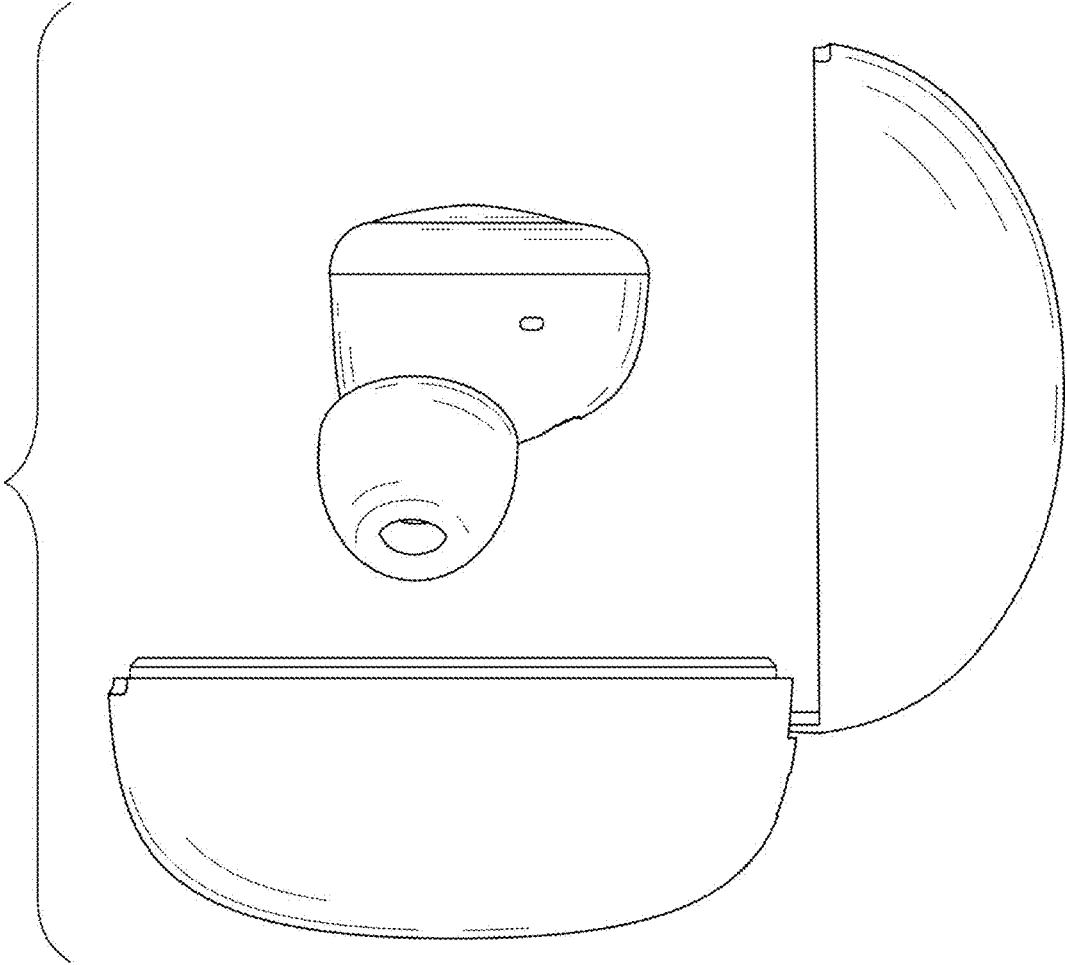


FIG. 2



**FIG. 3**

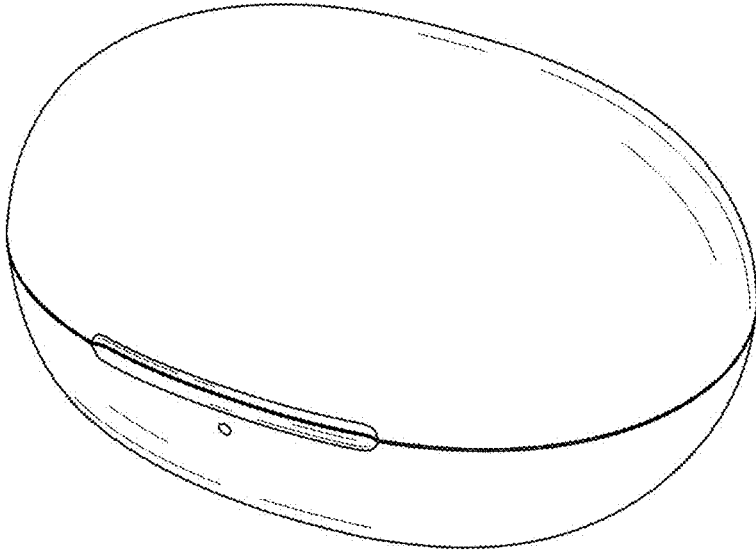


FIG. 4

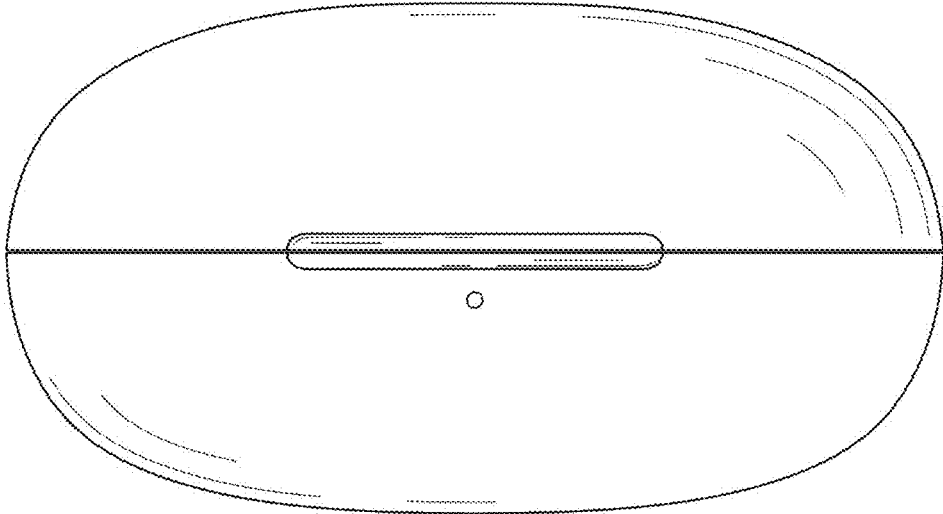
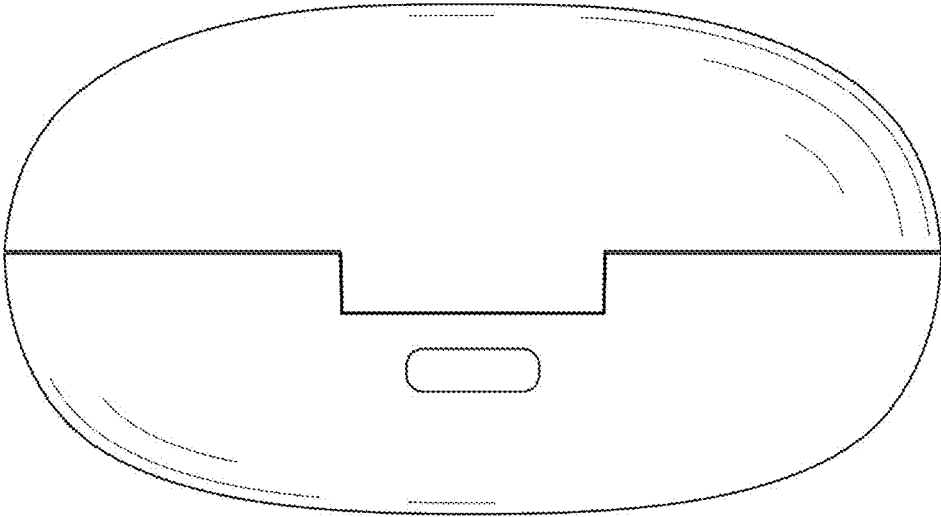
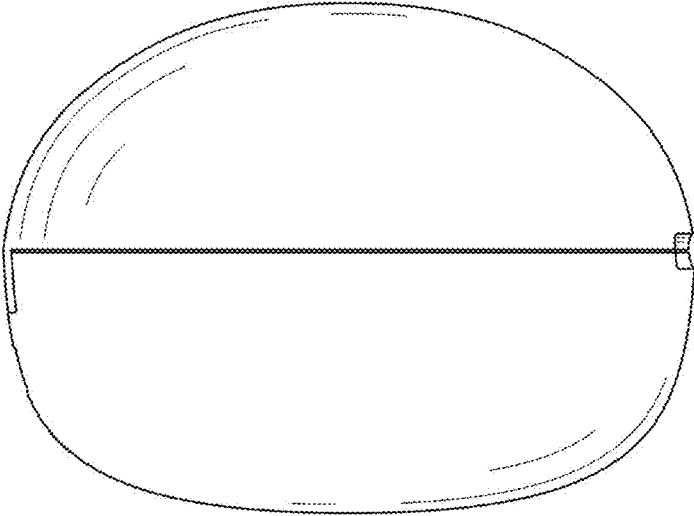


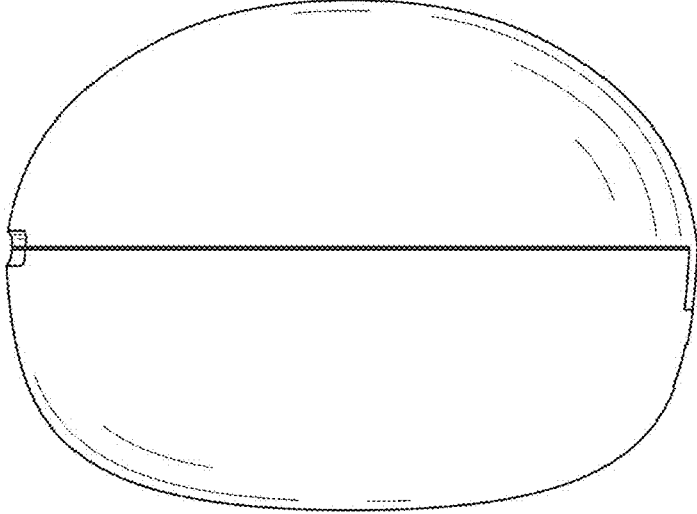
FIG. 5



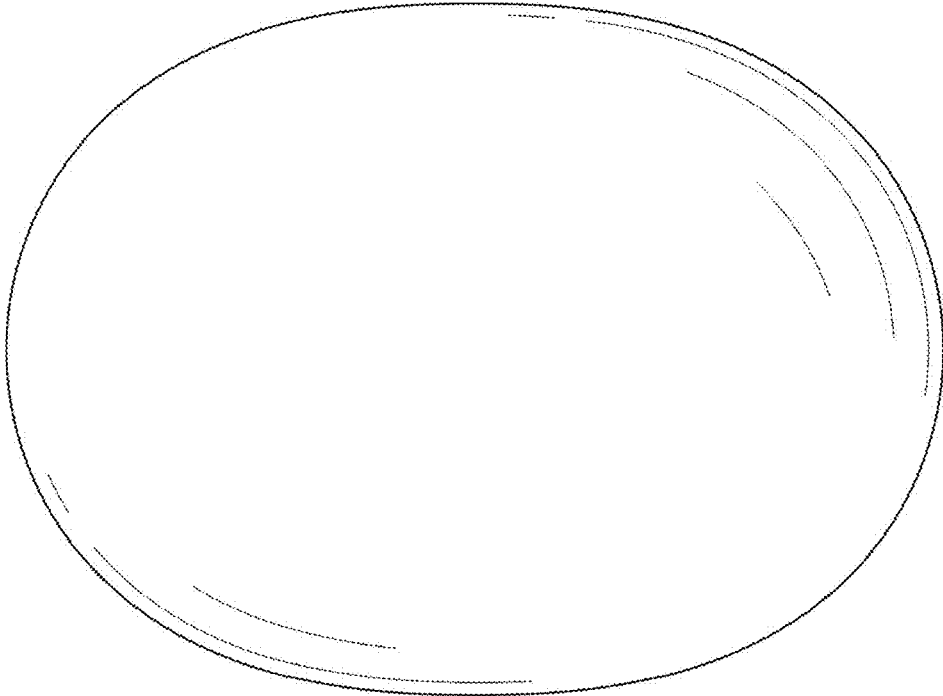
**FIG. 6**



**FIG. 7**

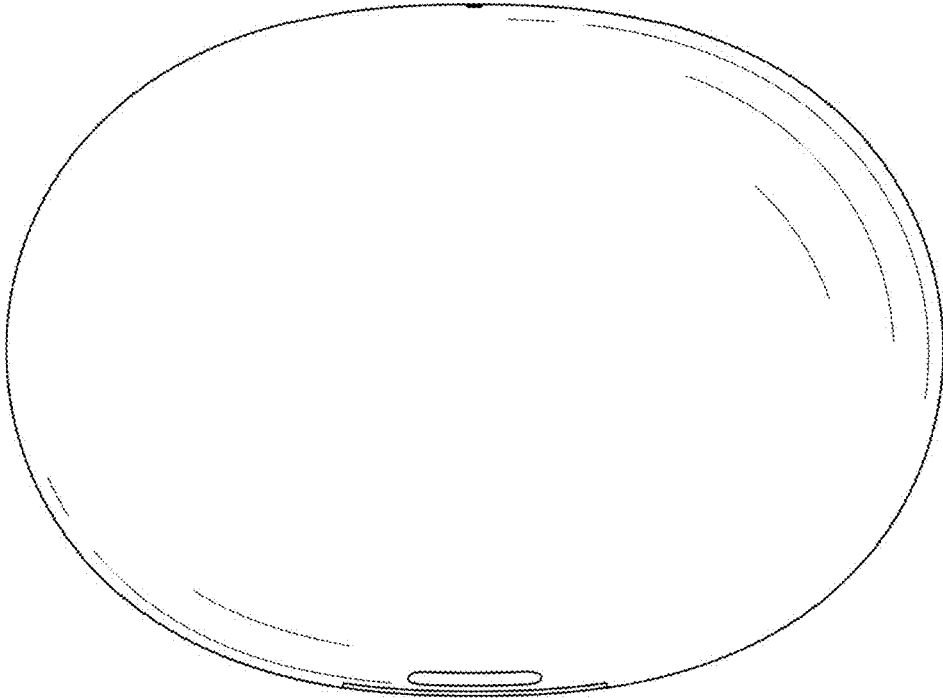


**FIG. 8**

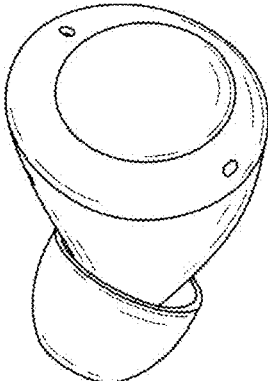


**FIG. 9**

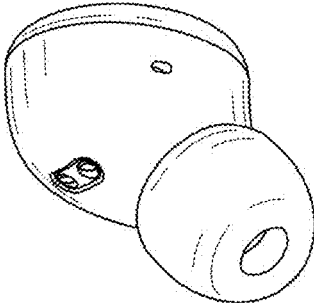




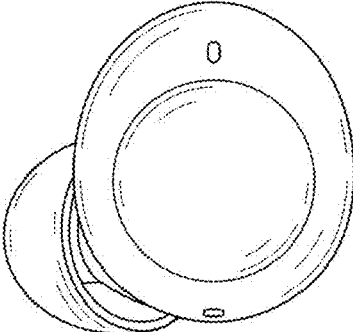
**FIG. 10**



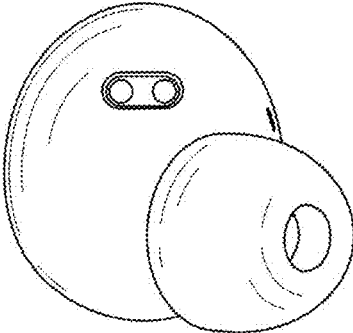
**FIG. 11**



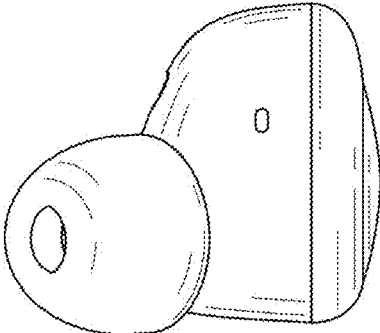
**FIG. 12**



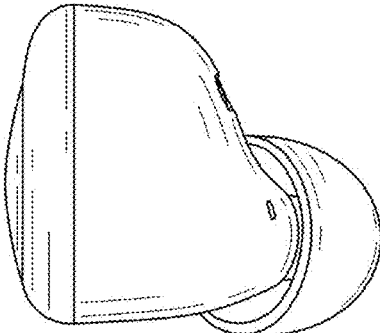
**FIG. 13**



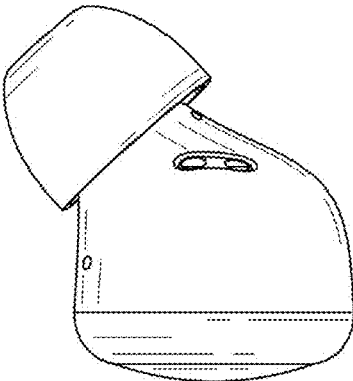
**FIG. 14**



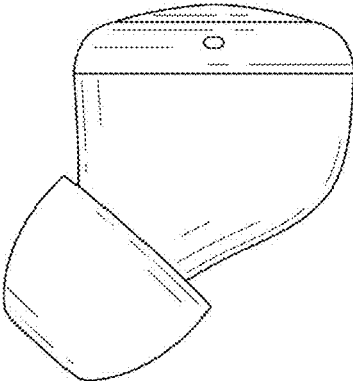
**FIG. 15**



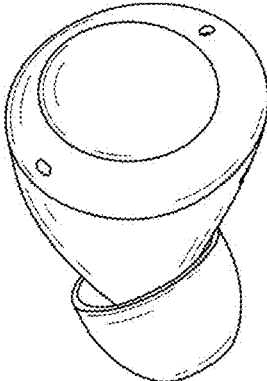
**FIG. 16**



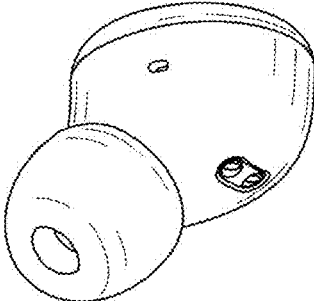
**FIG. 17**



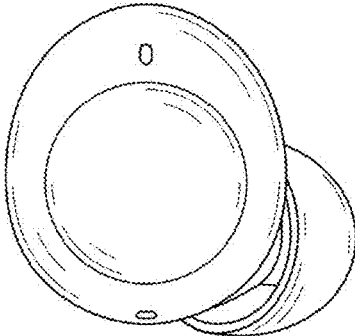
**FIG. 18**



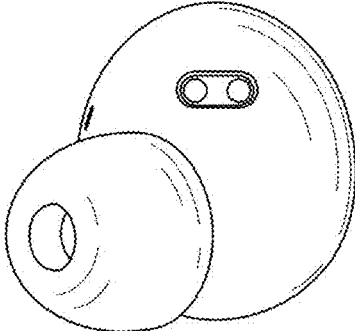
**FIG. 19**



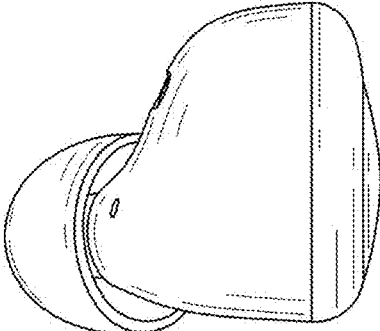
**FIG. 20**



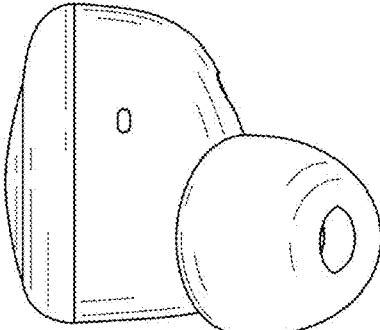
**FIG. 21**



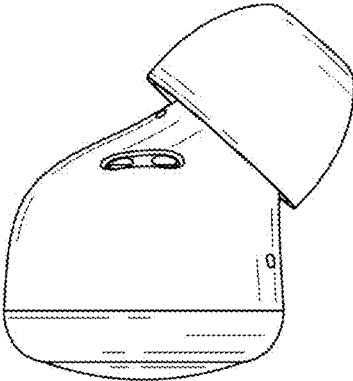
**FIG. 22**



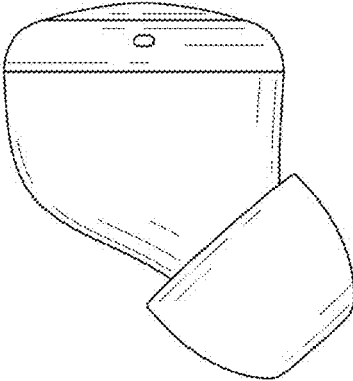
**FIG. 23**



**FIG. 24**



**FIG. 25**



**FIG. 26**