



US00D974100S

(12) **United States Design Patent**
Tong

(10) **Patent No.:** **US D974,100 S**

(45) **Date of Patent:** **** Jan. 3, 2023**

(54) **MICROWAVE AIR FRYER COMBINATION**

D762,416 S * 8/2016 Kim D7/405
D773,233 S * 12/2016 Suh D7/351
D788,515 S * 6/2017 Kim D7/351
9,900,936 B2 2/2018 Imm et al.

(Continued)

(71) Applicant: **CONAIR CORPORATION**, Stamford, CT (US)

(72) Inventor: **Chong Siu Tong**, New Territories (HK)

FOREIGN PATENT DOCUMENTS

(73) Assignee: **Conair LLC**, Stamford, CT (US)

CN 203615383 U 5/2014
CN 204153826 U 2/2015

(**) Term: **15 Years**

(Continued)

(21) Appl. No.: **29/764,197**

OTHER PUBLICATIONS

(22) Filed: **Dec. 29, 2020**

Cuisinart AMW-60 3-in-1 Oven Airfryer Microwave, first available Oct. 20, 2020, Amazon [online], [site visited Feb. 10, 2022], Available from internet URL: <https://www.amazon.com/Cuisinart-AMW-60-Airfryer-Microwave-Black/dp/B08LGPBJBT> (Year: 2020).*

(51) **LOC (14) Cl.** **07-02**

(52) **U.S. Cl.** **D7/351**
USPC **D7/351**

(58) **Field of Classification Search**
USPC D7/323, 328, 332-337, 339, 340,
D7/347-351, 354, 387, 393, 396, 402,
D7/405-409
CPC A47J 37/00; A47J 37/06; A47J 37/0605;
A47J 37/0623; A47J 37/0629; A47J
37/0635; A47J 37/0641; A47J 37/0647;
A47J 37/0658; F24C 7/00; F24C 7/02;
F24C 7/04

Primary Examiner — Mary Ann Calabrese
Assistant Examiner — Natalya M Rapundalo
(74) *Attorney, Agent, or Firm* — Grogan, Tuccillo & Vanderleeden, LLP

See application file for complete search history.

(57) **CLAIM**

The ornamental design for a microwave air fryer combination, as shown and described.

(56) **References Cited**

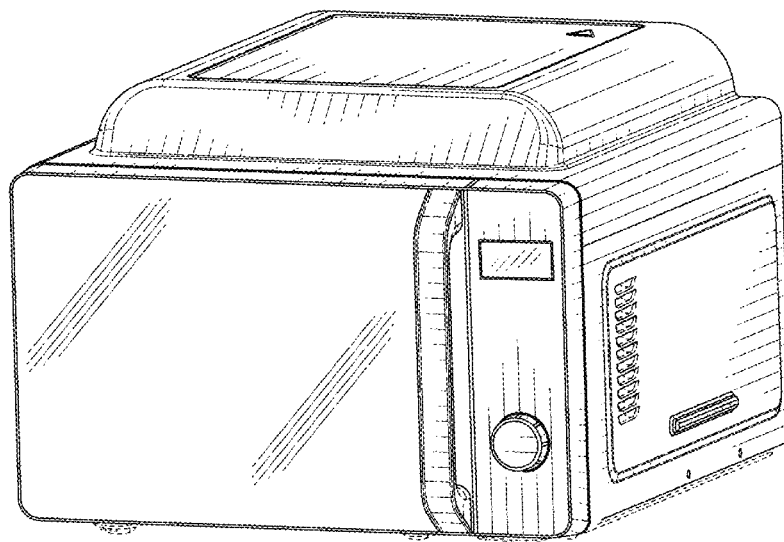
DESCRIPTION

U.S. PATENT DOCUMENTS

FIG. 1 is a front perspective view of a microwave air fryer combination showing my new design;
FIG. 2 is a front elevational view thereof;
FIG. 3 is a rear elevational view thereof;
FIG. 4 is a left side elevational view thereof;
FIG. 5 is a right side elevational view thereof;
FIG. 6 is a top plan view thereof;
FIG. 7 is a bottom plan view thereof; and,
FIG. 8 is a rear perspective view thereof.
The broken lines show portions of the microwave air fryer combination and form no part of the claimed design.

3,514,576 A 5/1970 Hilton et al.
4,308,444 A 12/1981 Takagi et al.
4,332,992 A 6/1982 Larsen et al.
4,337,384 A 6/1982 Tanaka et al.
4,508,947 A 4/1985 Eke
4,591,683 A 5/1986 Eke
4,771,154 A 9/1988 Bell et al.
7,836,875 B2 11/2010 McFadden et al.
D662,759 S * 7/2012 Blacken D7/328
D707,074 S * 6/2014 Shin D7/351
9,341,382 B2 5/2016 Kim
9,351,495 B2 5/2016 McFadden

1 Claim, 6 Drawing Sheets



(56)

References Cited

U.S. PATENT DOCUMENTS

D814,232 S * 4/2018 Barquin D7/354
D893,935 S * 8/2020 Li D7/351
D896,019 S * 9/2020 Musanta D7/354
D909,806 S * 2/2021 Hu D7/350.1
D922,125 S * 6/2021 Kim D7/351
D931,675 S * 9/2021 Bock F24C 1/04
D7/350.1
2020/0329908 A1* 10/2020 Chen F24C 1/04

FOREIGN PATENT DOCUMENTS

CN 104676673 B 6/2015
CN 206018741 U 3/2017
CN 209058909 U 7/2019

* cited by examiner

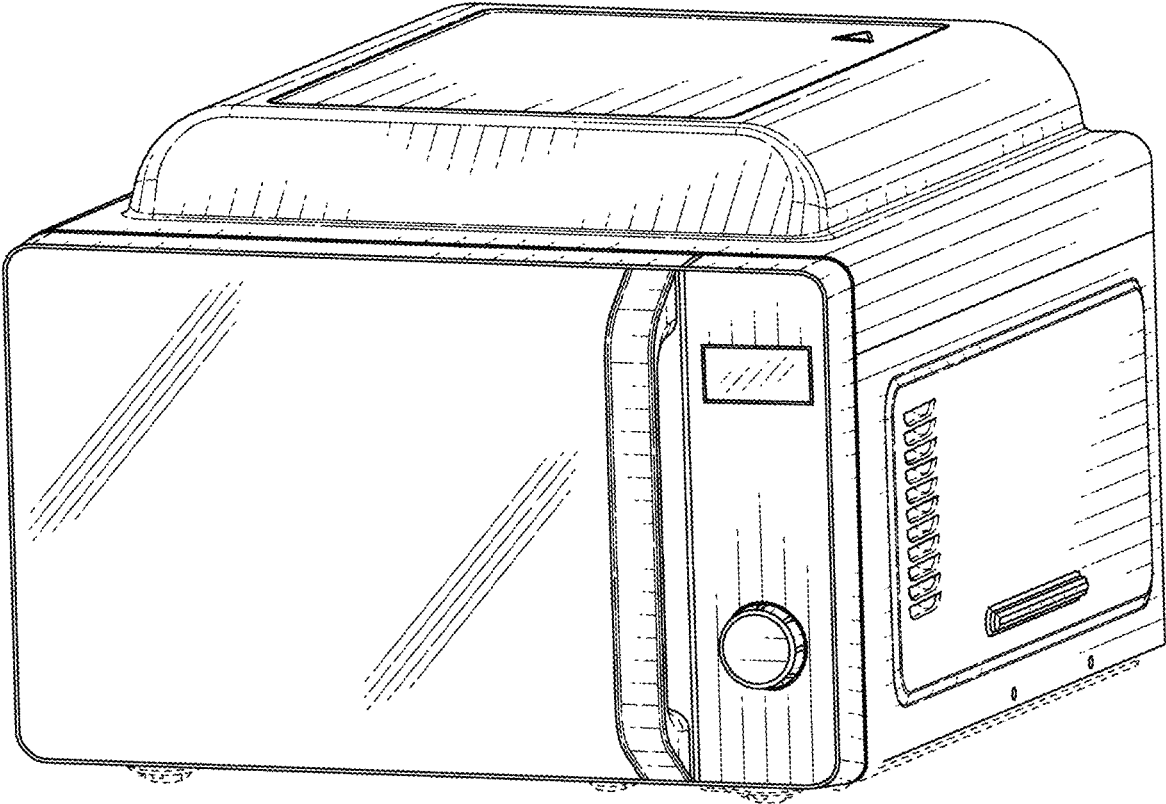


FIG. 1

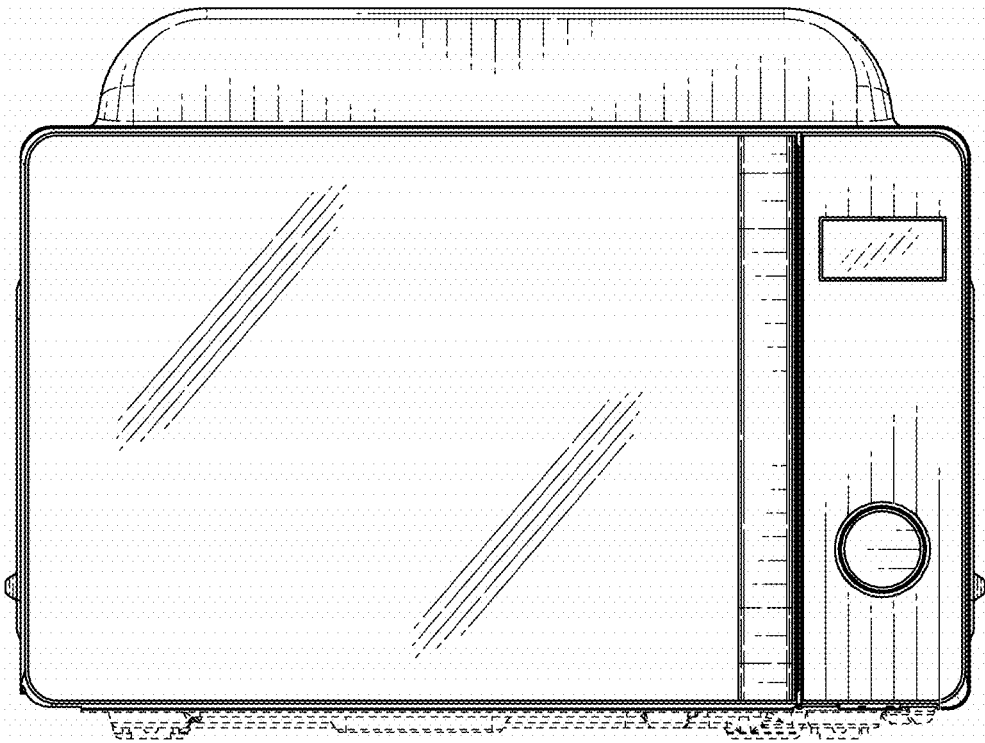


FIG. 2

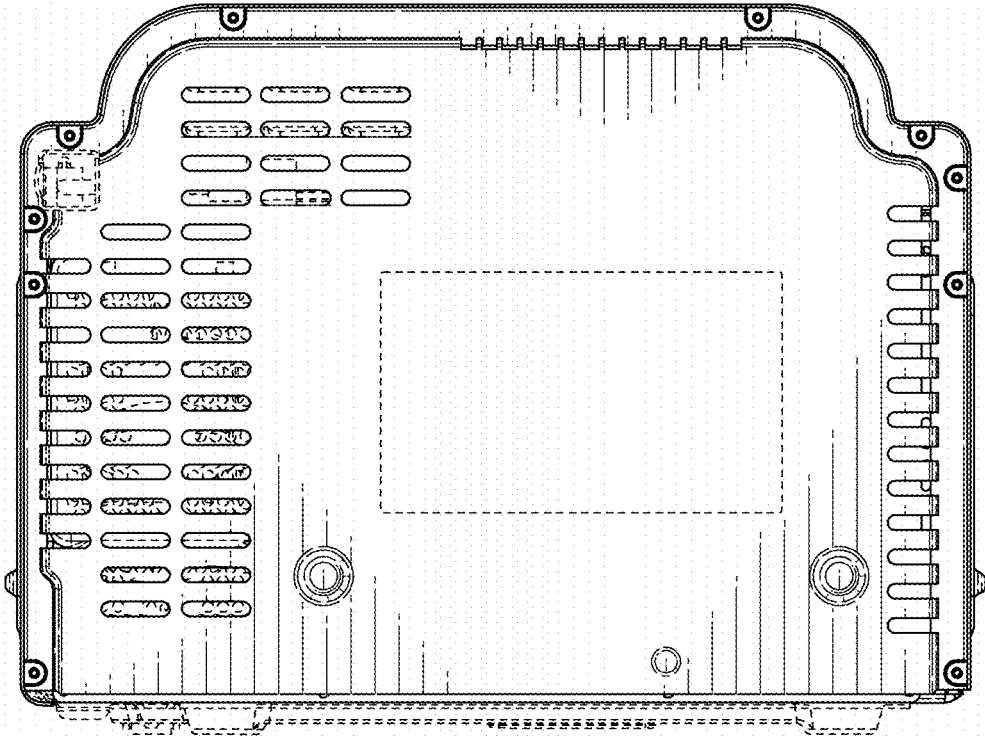


FIG. 3

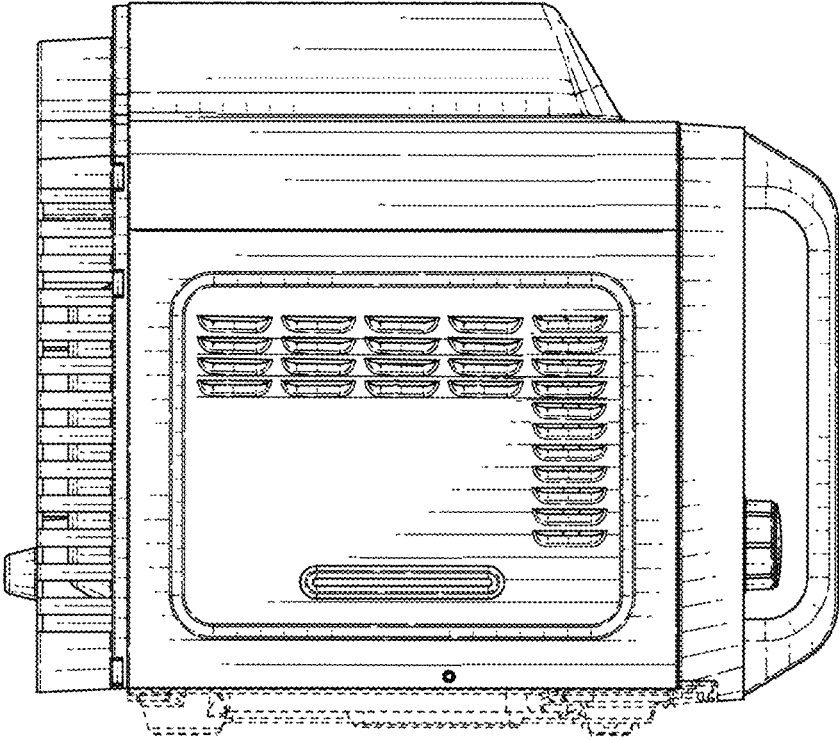


FIG. 4

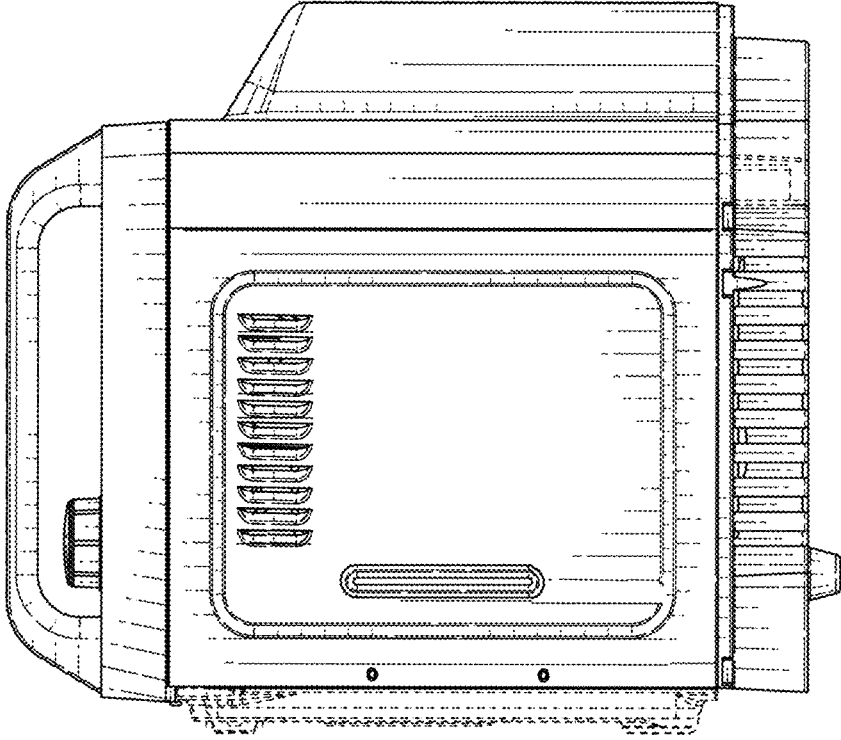


FIG. 5

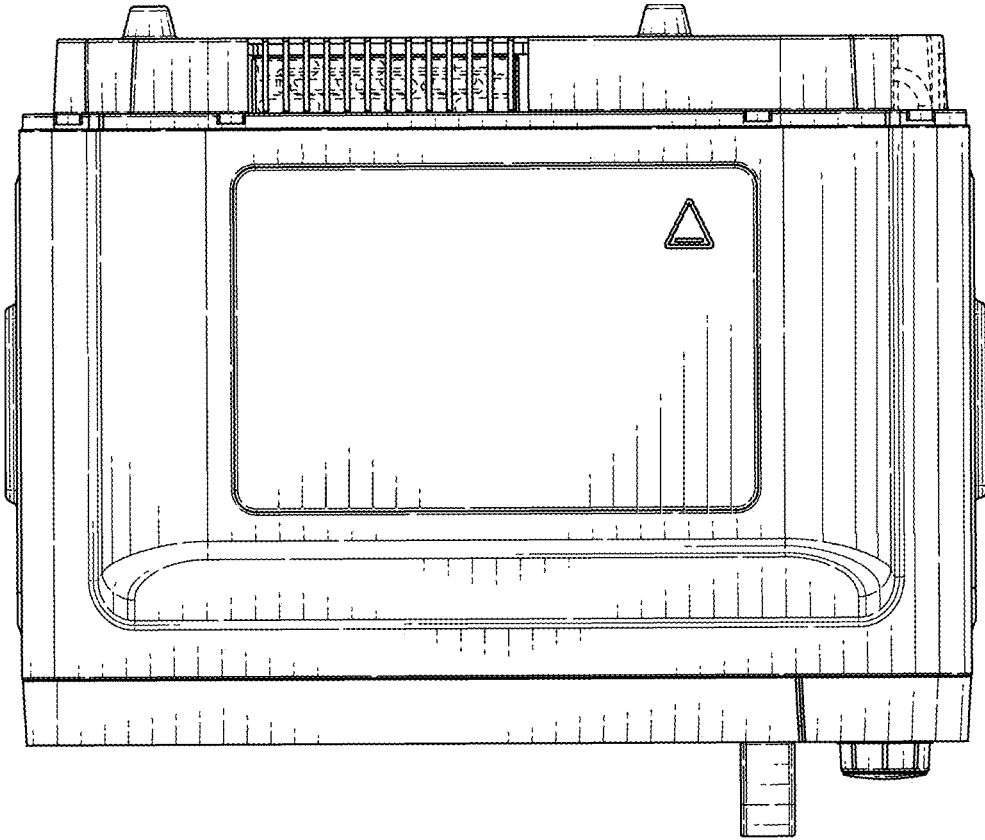


FIG. 6

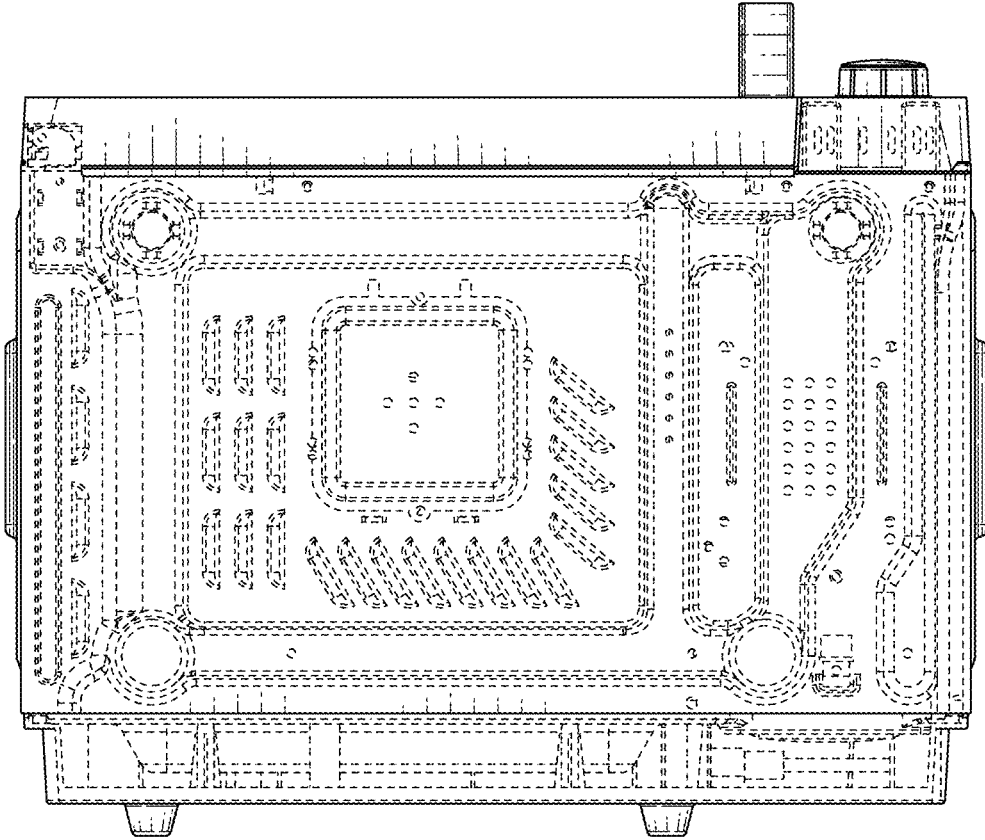


FIG. 7

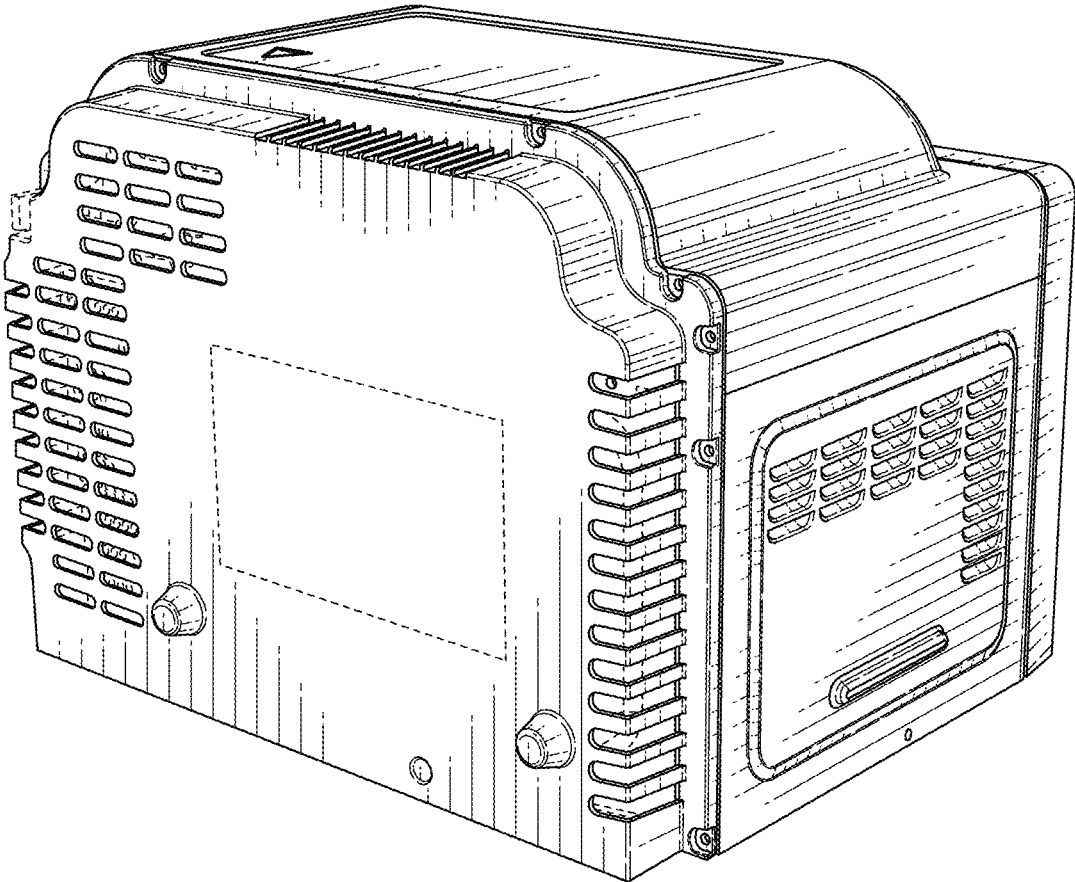


FIG. 8