



US00D874528S

(12) **United States Design Patent**  
**Horstmann et al.**

(10) **Patent No.:** **US D874,528 S**

(45) **Date of Patent:** **\*\* Feb. 4, 2020**

- (54) **HOOD CONNECTOR** 2004/0053534 A1\* 3/2004 Beneke ..... H01R 13/514  
439/607.01
- (71) Applicant: **HARTING Electric GmbH & Co.** 2009/0070998 A1\* 3/2009 Follmann ..... H01R 4/36  
**KG, Espelkamp (DE)** 29/874
- (72) Inventors: **Jens Horstmann, Espelkamp (DE);** 2009/0220200 A1\* 9/2009 Sheau Tung Wong .....  
**Marcus Göttig, Zhuhai (CN)** G02B 6/3878  
385/89
- (73) Assignee: **HARTING Electric GmbH & Co.** 2016/0248189 A1\* 8/2016 Arnesson ..... H01R 24/22  
**KG, Espelkamp (DE)** 2016/0285194 A1\* 9/2016 Herbrechtsmeier . H01R 13/506  
2016/0344147 A1\* 11/2016 Arnesson ..... H02G 3/083  
2018/0241150 A1\* 8/2018 Hara ..... H01R 13/4362  
2018/0254578 A1\* 9/2018 Herbrechtsmeier . H01R 13/506  
2018/0277984 A1\* 9/2018 Hata ..... H01R 13/506
- (\*\*) Term: **15 Years**
- (21) Appl. No.: **29/682,873**
- (22) Filed: **Mar. 8, 2019**

\* cited by examiner

*Primary Examiner* — Patricia A Palasik  
(74) *Attorney, Agent, or Firm* — Seed Intellectual  
Property Law Group LLP

**Related U.S. Application Data**

- (62) Division of application No. 29/594,262, filed on Feb. 16, 2017.
- (51) **LOC (12) Cl.** ..... **15-09**
- (52) **U.S. Cl.**  
USPC ..... **D15/138**
- (58) **Field of Classification Search**  
USPC ..... D15/122, 138  
CPC .. H01R 13/506; H01R 13/514; H01R 13/518;  
H01R 13/5812; H01R 13/6592  
See application file for complete search history.

**References Cited**

**U.S. PATENT DOCUMENTS**

- 6,435,911 B1\* 8/2002 Payson ..... H01R 13/516  
439/320
- D518,758 S \* 4/2006 Reese ..... D12/101
- D518,759 S \* 4/2006 Kettler ..... D12/107

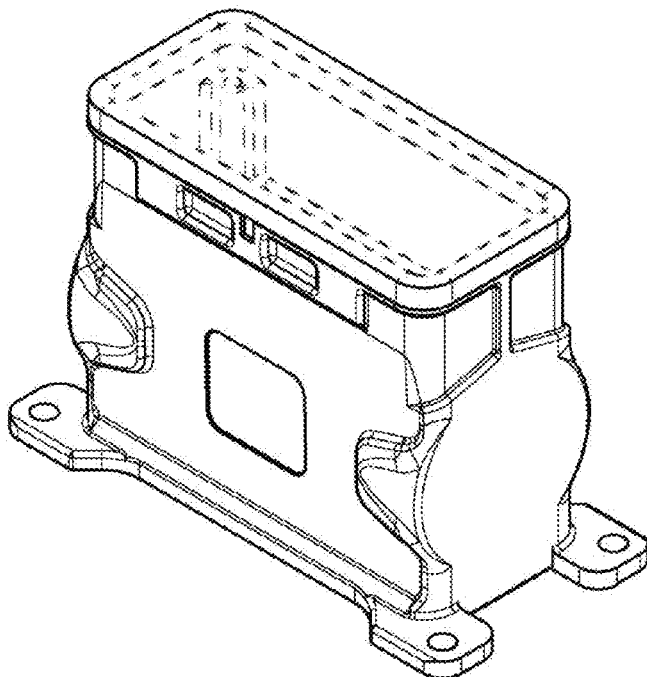
(57) **CLAIM**

The ornamental design for a hood connector, as shown and described.

**DESCRIPTION**

FIG. 1 is an upper right front axonometric view of a hood connector showing an alternative design. FIG. 2 is a front elevational view thereof. FIG. 3 is a rear elevational view thereof. FIG. 4 is a right side elevational view thereof. FIG. 5 is a left side elevational view thereof. FIG. 6 is a top plan view thereof; and, FIG. 7 is a bottom plan view thereof. The broken lines in the drawings depict portions of the hood connector and form no part of the claim.

**1 Claim, 7 Drawing Sheets**



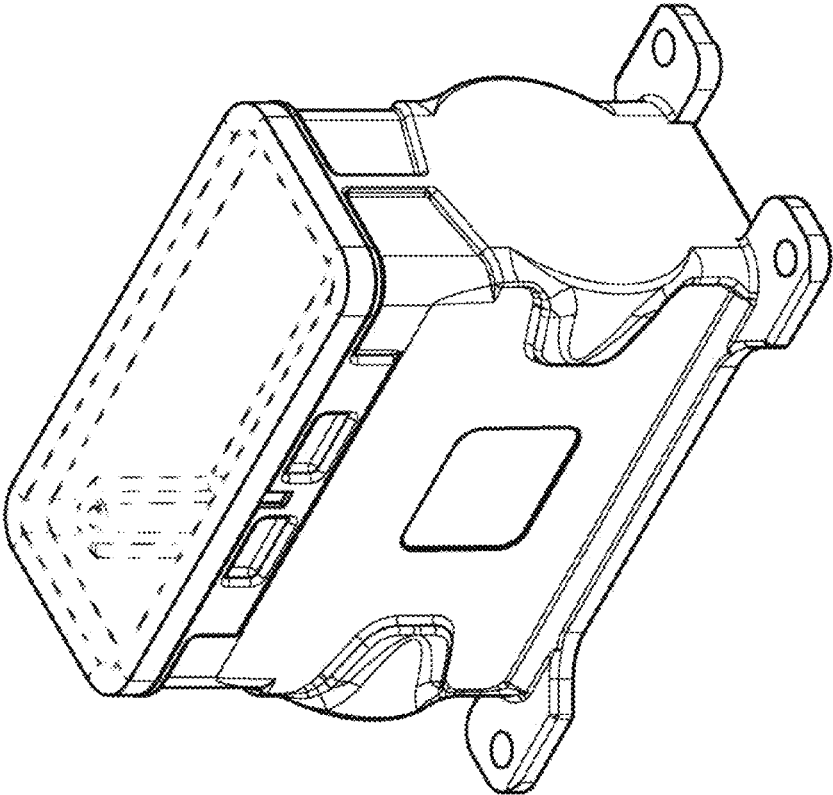


FIG. 1

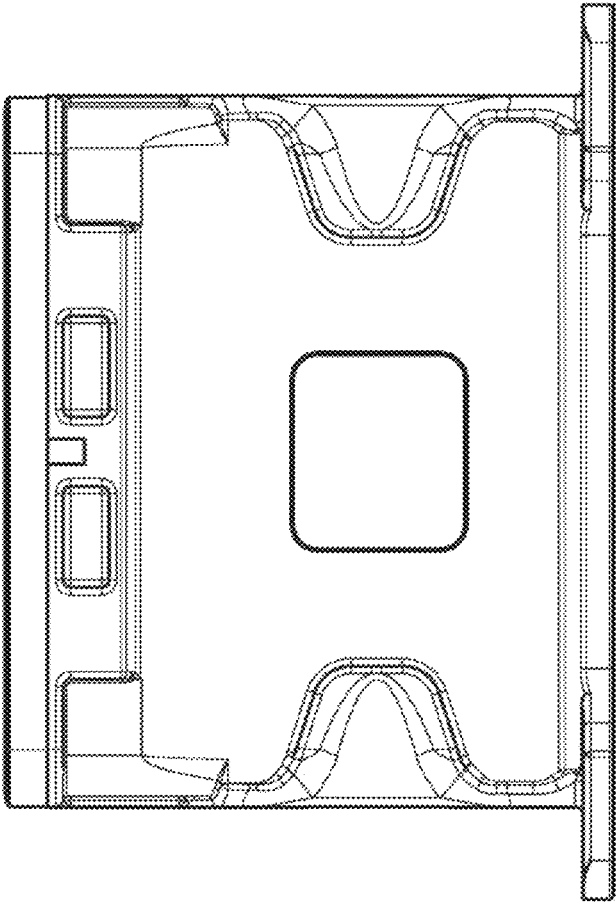


FIG. 2

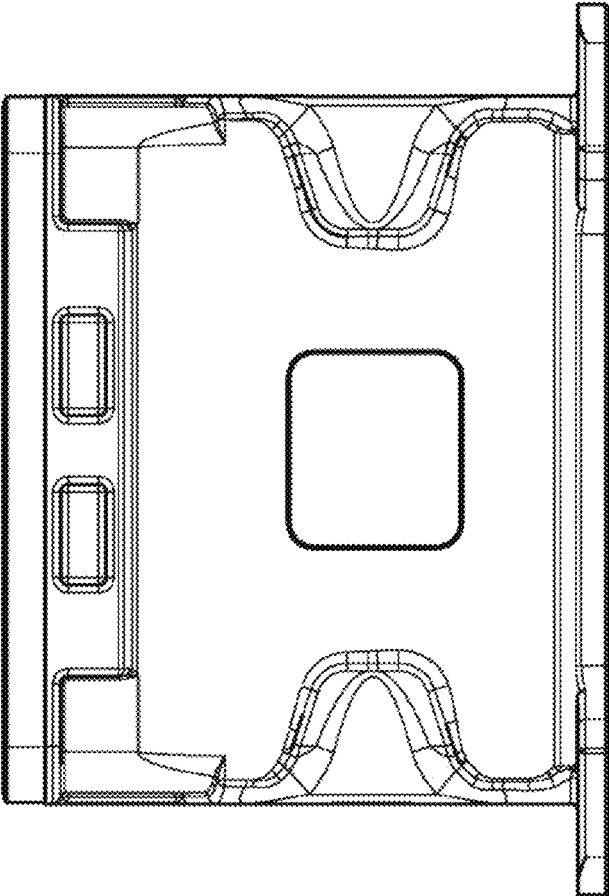


FIG. 3

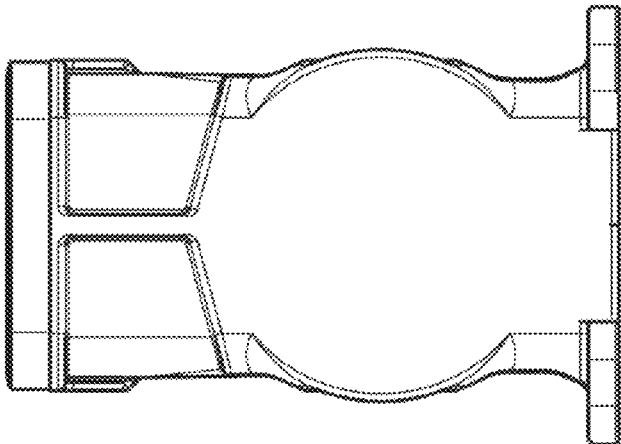
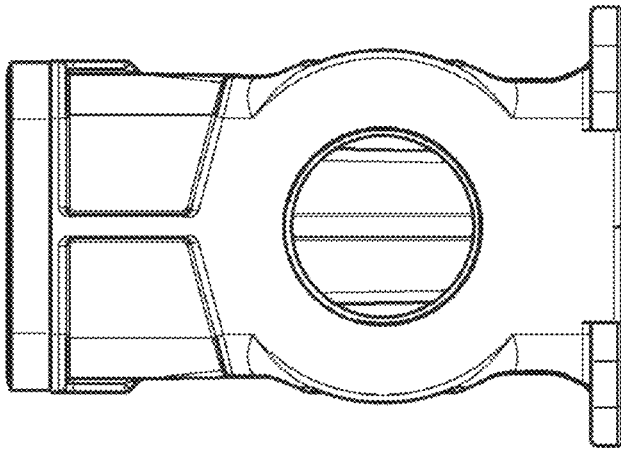


FIG. 4



*FIG. 5*

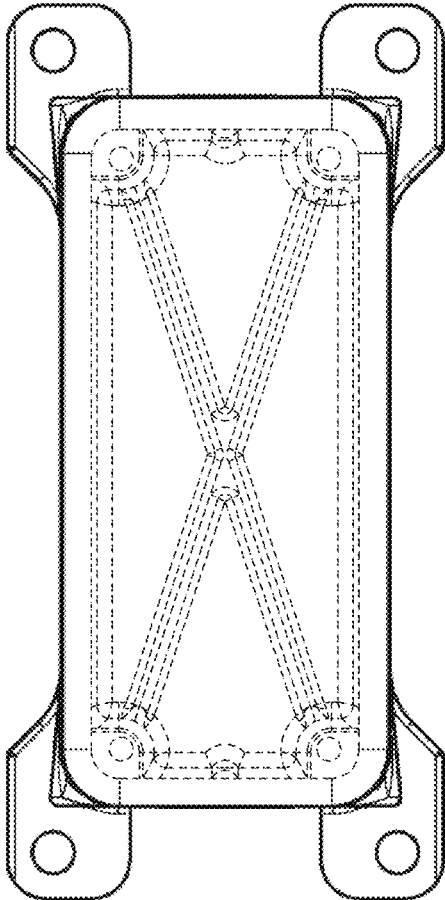


FIG. 6

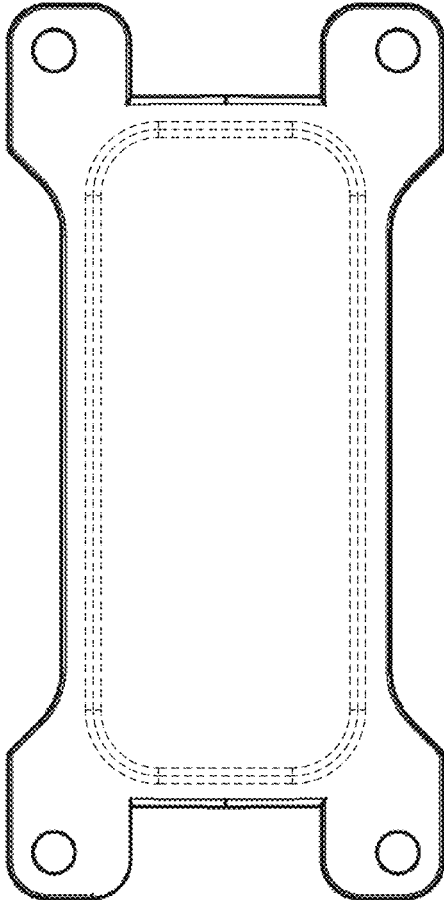


FIG. 7