



- (51) International Patent Classification:  
*A61N 1/40* (2006.01)
- (21) International Application Number:  
PCT/EP2011/058587
- (22) International Filing Date:  
25 May 2011 (25.05.2011)
- (25) Filing Language: English
- (26) Publication Language: English
- (30) Priority Data:  
PCT/IB2011/051411 1 April 2011 (01.04.2011) IB
- (71) Applicant (for all designated States except US): **FLUX MEDICAL N.V.** [—/BE]; Bergstraat 20, B-9820 Merelbeke (BE).
- (72) Inventors; and
- (75) Inventors/Applicants (for US only): **VAN LANGENHOVE, Glenn** [BE/BE]; Bergstraat 20, B-9820 Merelbeke (BE). **SCHWAGTEN, Bruno** [BE/BE]; Veldstraat 48, B-2547 Lint (BE).
- (74) Agent: **BRANTS, Johan Philippe Emile**; Brantsandpatents bvba, Guldensporenpark 75, B-9820 Merelbeke (BE).

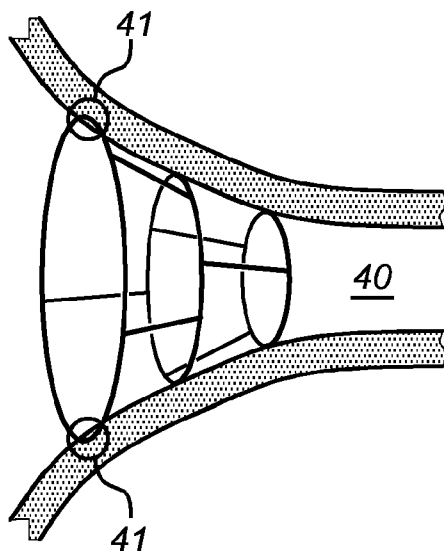
- (81) Designated States (unless otherwise indicated, for every kind of national protection available): AE, AG, AL, AM, AO, AT, AU, AZ, BA, BB, BG, BH, BR, BW, BY, BZ, CA, CH, CL, CN, CO, CR, CU, CZ, DE, DK, DM, DO, DZ, EC, EE, EG, ES, FI, GB, GD, GE, GH, GM, GT, HN, HR, HU, ID, IL, IN, IS, JP, KE, KG, KM, KN, KP, KR, KZ, LA, LC, LK, LR, LS, LT, LU, LY, MA, MD, ME, MG, MK, MN, MW, MX, MY, MZ, NA, NG, NI, NO, NZ, OM, PE, PG, PH, PL, PT, RO, RS, RU, SC, SD, SE, SG, SK, SL, SM, ST, SV, SY, TH, TJ, TM, TN, TR, TT, TZ, UA, UG, US, UZ, VC, VN, ZA, ZM, ZW.
- (84) Designated States (unless otherwise indicated, for every kind of regional protection available): ARIPO (BW, GH, GM, KE, LR, LS, MW, MZ, NA, SD, SL, SZ, TZ, UG, ZM, ZW), Eurasian (AM, AZ, BY, KG, KZ, MD, RU, TJ, TM), European (AL, AT, BE, BG, CH, CY, CZ, DE, DK, EE, ES, FI, FR, GB, GR, HR, HU, IE, IS, IT, LT, LU, LV, MC, MK, MT, NL, NO, PL, PT, RO, RS, SE, SI, SK, SM, TR), OAPI (BF, BJ, CF, CG, CI, CM, GA, GN, GQ, GW, ML, MR, NE, SN, TD, TG).

Published:

— with international search report (Art. 21(3))

(54) Title: SYSTEM, DEVICE AND METHOD FOR ABLATION OF A VESSEL'S WALL FROM THE INSIDE

Fig. 15



(57) Abstract: The current invention concerns systems, devices and methods for the ablation of a vessel's wall from the inside, more specifically to implant devices and to the ablation of the wall of one or more pulmonary veins (PV) from the inside, preferably transmural ablation and preferably at the level of the antrum. Hereby, one or more implant devices can be implanted in the vessels and can subsequently be heated by external energy-providing means.

## **SYSTEM, DEVICE AND METHOD FOR ABLATION OF A VESSEL'S WALL FROM THE INSIDE**

### **5 TECHNICAL FIELD**

The invention pertains to the technical field of the treatment of bodily vessels by means of ablation, more specifically to the treatment of cardiac conditions such as atrial fibrillation (AF). In particular, the present invention relates to systems, devices  
10 and methods for the ablation of a vessel's wall from the inside, more specifically to implant devices and to the ablation of the wall of one or more pulmonary veins (PV) from the inside, preferably transmural ablation and preferably at the level of the antrum.

### **15 BACKGROUND**

The present invention concerns a system of one or more implant devices and excitation device, an implant device and a method using the system and one or more devices for the treatment of arterial and venous structures.

20

The system, device and method can for example be used for treating atrial arrhythmias, more specific atrial fibrillation (AF), more specific paroxysmal, persistent or permanent. More specifically this invention describes a method that allows to repeatedly create lesions in the heart, more specifically in the atria, more specifically  
25 in the left and right atrium, more specifically in the antrum or ostium of the pulmonary veins (PVs). Hereby, the general concept is to implant one or more implant devices into the PVs or other vessels, said implant devices making contact with the vessels' inner walls at the positions where ablation is deemed necessary in order to have PV isolation (PVI). In contrast with prior art, ablation is not performed immediately, but  
30 the one or more implant devices can be heated up to a specified temperature by external energy-providing means, which are spatially separated from, i.e. not touching, the implant device and able to provide energy remotely to the implant device for increasing the temperature of the ablation region of the implant device up to an ablation temperature. In a preferred embodiment, an implant device comprises  
35 an area which is made from a material which may show magnetic hysteresis and the external energy-providing means are able to create a time-varying magnetic field at the position of the implanted device, hereby heating the implant through the

phenomenon of magnetic hysteresis. The maximum temperature the implant device can reach, is limited by the Curie or Néel temperature of the magnetic material used, above which temperature the magnetic hysteresis effect disappears. This Curie or Néel temperature can be engineered precisely to the necessary ablation temperature e.g.  
5 by changing the composition of the magnetic alloy that is used. In another embodiment, non-magnetic material may be used, and insulation material may then be used to provide sufficient temperature-controlling means. In an embodiment, the heating of the implant device is done by Joule heating or direct heating, or any other heating system.

10

The implant device according to the present invention can thus be used inside the heart, both the right and the left side, inside the pulmonary veins, but also if necessary, in arterial and venous structures outside the heart.

15

Indeed, the system, device and method according to the present invention can also be used to perform ablation throughout the renal arteries, to perform ablation of the nervous system surrounding the renal arteries, to perform ablation of the renal sympathetic nerves, more specific to perform ablation of the renal sympathetic nerves in the adventitia surrounding the renal arteries, to perform ablation of renal afferent  
20 and/or efferent nerves.

25

The device can be used in the renal arteries in which case the device, system and method can be used to treat arterial hypertension, norepinephrine spillover, heart failure, hypertension related target organ damage, etc.

25

The device can be used in the renal arteries in which case the device, system and method can be used to treat arterial hypertension, more specific, but not limited to, mild, moderate and/or severe hypertension, masked hypertension, white-coat hypertension, reverse dipping hypertension, non-dipping hypertension, dipping  
30 hypertension end neuroadrenergic hypertension.

30

The present document focuses its description on the application of the device inside the heart, both the right and the left side, and inside the pulmonary veins.

35

A person skilled in the art will be able to interpret the device, the system and the method and to provide them of specific features, components or steps if to be used in other areas.

Human wellbeing is menaced by numerous disorders which change with time. The art of medicine continuously needs to innovate and to adapt to these changes. Despite incessant therapeutic improvements, cardiac disease remains the most important  
5 cause of death and hospitalizations in the western society.

Atrial fibrillation, often referred to as AF, is an arrhythmia of the heart causing irregular electrical activity, followed by disorganized and ineffective contractions.

10 Patients experiencing AF suffer from palpitations, fatigue, severe decrease in quality of life, worsening of heart failure, cerebral stroke, increased mortality and many other symptoms.

Prevalence and incidence of AF is gradually increasing thus causing AF to reach  
15 epidemic proportions.

So far, anti-arrhythmic drug treatment for AF is characterized by two major findings: inefficacy and/or intolerable side effects.

20 The currently available and commonly used drugs to prevent or cure AF can be divided into two groups.

The first group consist of the so-called class-I drugs, betablockers, dronedarone and sotalol.  
25

These drugs have a rather low efficiency ranging between 20 to 40%. Initiating and continuing these drugs requires close monitoring of the patient as these drugs in itself can easily induce life threatening arrhythmias.

30 The second group consists of only one drug, namely amiodarone, which is the most potent available drug to treat AF.

Its efficiency can range up to 65%. However, the list of possible side effects is practically unlimited: severe thyroid problems, severe lung disease, irreversible tinting  
35 of the skin, visual defects, possible carcinogenic nature, etc.

Recently a new invasive treatment modality for atrial fibrillation was discovered when the Bordeaux group of Prof. Dr. Haissaguerre found the pulmonary veins, often referred to as PV's, to be the location of the trigger for AF.

- 5 In the following years various techniques were developed to encircle the PV's as an alternative to pharmacological therapy for treating AF.

This technique is called pulmonary vein isolation, often abbreviated as PVI.

- 10 The aim was to electrically isolate the triggers in the PV's, assuring not a single electrical connection between the PV's and the left atrium remained.

- 15 Soon enough, it was discovered that even a small gap of for example 1 mm in the line encircling the PV's could lead to electrical reconnection of the PV's and hence failure of the procedure with reoccurrence of AF.

- 20 Electrophysiology, the art of treating cardiac arrhythmias, is characterized by the use of high-tech equipment to perform diagnostic and therapeutic interventions inside the heart.

- Nowadays it is possible to successfully treat virtually every arrhythmia by means of a percutaneous intervention. Nevertheless, curing a patient from AF in a safe and effective manner remains a big hurdle in electrophysiology.

- 25 There are two types of procedures by which a PVI can be achieved.

The first group consists of technologies and devices built to encircle the PV's point by point, making sure a continuous line is formed without any gaps.

- 30 In most cases a combination is used of a non-fluoroscopic technique to visualize the left atrium with its PV's and a catheter capable of delivering radiofrequency (RF) or cryo-energy.

- 35 However, with this first group of procedures, it is not always guaranteed that a continuous line is formed with any gaps. This can occur because the pressure with which an ablating tip is pressed against the wall, the amount of energy transferred from the ablating tip to the wall, the size of the ablation spot on the vessel wall, etc. is

not completely under control. In some cases, a gap of the order of 1mm may already be too wide to ensure a successful outcome of the PVI procedure. In these cases, a repetition of the whole procedure with the accompanying danger, discomfort, cost, etc. for the patient, is usually deemed necessary.

5

The other group consists of devices created to perform PVI in 'one single shot' consecutively in each of the four PV's.

10

A whole assortment of catheters or sheaths has been conceived: balloon catheters delivering cryo-energy, laser energy, high intensity focused ultrasound, thermal energy, circular catheters delivering pulsed wave RF energy, basket-like catheters delivering RF energy, etc.

15

PVI has grown from an experimental therapy to a state-of-the-art intervention that can possibly cure AF.

20

Acute success rates in paroxysmal AF can reach 90% in the most optimal circumstances, with a complication rate around 6%. The most common complication of PVI is cardiac tamponade due to perforation of the left atrium by the ablation catheter.

Usually this can be dealt with by performing a percutaneous puncture of the pericardium with evacuation of the blood, if this proves to be inadequate, a surgical intervention by means of thoracotomy is needed.

25

The most feared and usually lethal complication is development of a fistula between the oesophagus and the left atrium.

30

In the past 10 years, catheter ablation techniques in patients with AF have evolved from an initial approach focused on the PV's and their junctions with the left atrium, further often abbreviated as LA, to a more extensive intervention, mainly, but not exclusively, on the LA myocardium and its neuro-vegetative innervation.

35

It is now recognized that the cornerstone of most catheter and surgical ablation approaches is to isolate the PV's electrically from the LA.

Despite more or less substantial differences among the various catheter techniques that are currently utilized worldwide, results seem to be uniformly similar, with

success rates in the range from 50% to 90% depending on the patients and their type of AF (permanent, long-standing persistent, short-standing persistent, or paroxysmal AF).

- 5 Frequently a second AF ablation procedure is necessary to improve procedural outcome.

Procedural time to perform a PVI has evolved a great deal in the past years. Initially, point by point PVI regularly could take more than 6 hours.

10

New imaging techniques shortened these laborious procedures to about four to six hours.

15

The 'single-shot' procedures again are somewhat shorter, but still take two to three hours of procedural time in general.

Fluoroscopy time needed to perform these procedures has equally decreased, but overall ranges between 20-40 minutes.

20

Because of major discomfort for the patient and the need for the patient to remain motionless during the whole procedure, PVI is performed under general anesthesia in many centers around the world.

25

The other centers use 'conscious sedation' which means the patient is sedated with several different drugs but without the intention to intubate and ventilate the patient.

The need to sedate the patient can cause different harmful side effects.

30

First of all, general anesthesia always carries a certain mortality risk for the patient. Good 'conscious sedation' on the other hand is hard to accomplish.

Under-dosing the drugs leads to patient discomfort and unsolicited patient movement.

35

Over-dosing the drugs can necessitate switching to general anesthesia during the procedure, which is far from obvious and can even be dangerous in many cases.

The present invention has the intention to conceive a technique which is more acceptable for the patient, less time-consuming, safer and at least equally efficacious in performing PVI.

5 US patent 6,632,223 discloses a system for treating atrial fibrillation comprising a stent and a catheter able to deliver the stent near the treatment site. The stent is self-expanding and, once delivered, expands to lodge against the interior wall of the pulmonary vein. The stent can be heated by sending a current through electrical wires in the catheter which are connected to the stent. The thus heated stent may ablate a  
10 circumferential blocking lesion of the PV wall. The ablation occurs while the catheter is physically connected to the stent. Therefore, after the ablation, the stent may be disconnected from the catheter and remain in place e.g. to prevent stenosis. This patent does not disclose the possibility of heating the stent by external energy-providing means, i.e. the possibility of heating the stent when it is not physically  
15 connected to the catheter. Also, it does not disclose the possibility of using materials which show magnetic hysteresis for at least part of the stent. Thereby, it is not easy to control the ablation temperature of the stent, in fact, the energy delivered to the stent should be monitored very closely as it depends on a multitude of factors, such as the electrical resistance of the stent, the amount and type of electrical current that is sent  
20 through the wires, the resistance of these wires, the quality of the thermal contact between stent and vessel wall.

Us patent application 2005/0027306 discloses a catheterization device for delivering a self-expanding stent. The device has an inner shaft and an outer shaft moveable with  
25 respect to the inner shaft. The self-expanding stent is received on the inner shaft adjacent its distal end. A tapered tip is located on the inner shaft distal end and it forms a smooth transition from the delivery device to a guidewire extending therethrough. A handle allows a practitioner to deploy the stent single handedly. The stent may have its segments in a first radial configuration for delivery of the stent or  
30 the stent may have a plurality of segments in a first radial configuration and a plurality of second segments in a second radial position.

US patent application 2005/0101946 discloses another method and system for treating AF by ablation of a pulmonary vein, using a stent which has a resonant  
35 circuit. The stent can be implanted at the site of ablation and subsequently activated by external energy-providing means, in particular by an electromagnetic field with the resonating frequency of the resonant circuit of the stent. The application does not



disclose the possibility of using materials which show magnetic hysteresis for at least part of the stent, and to use the hysteresis effect for activating the stent. Thereby, it is also in this way not easy to control the ablation temperature of the stent. The energy delivered to the stent should be monitored very closely as it depends on a multitude of factors and the temperature of the stent is not under control, such as the electrical resistance of the stent and the resonant circuit of the stent, the magnitude of the RF field at the site of the stent, the quality of the thermal contact between stent and vessel wall.

European patent application EP 1 036 574 discloses a device and method for heating an implanted stent up to a certain temperature, using external energy-providing means. The stent can be heated up through the effect of magnetic hysteresis. However, in this patent application, the temperature is controlled by an external controlling system which measures the temperature of the stent via e.g. an infrared camera, and alters the energy provided with the external energy-providing means accordingly. Hereby, it is not explicitly disclosed that the system is used for ablation. Furthermore, the temperature is controlled by an external feedback system, and not e.g. by the material properties of the stent. Moreover, European patent application EP 1 036 574 does not disclose that the stent or implant may subtend at least a substantially complete circumferential band of the vessel's inner wall.

There remains a need in the art for improved devices, systems and methods for the ablation of a substantially complete circumferential band around a vessel's wall from the inside. The present invention aims to resolve at least some of the problems mentioned above, e.g. to make sure that the ablation is performed for a substantially complete circumferential band around a vessel's wall from the inside, that the ablation itself can be triggered with external means and this multiple times if necessary, that the ablation temperature is well under control and does not depend on less-controlled elements in the treatment or on an intricate monitoring system, etc.

## **SUMMARY OF THE INVENTION**

The present invention provides a system of one or more implant devices and excitation device, an implant device and a method using the system and one or more devices for the treatment of arterial and venous structures.

In a first aspect, the present invention provides a system for ablation of at least a part of a vessel's wall from the inside, comprised of

- 5           - a self-expanding implant device, adapted to be implanted and deployed within said vessel; whereby said implant comprises an ablation region along at least a portion of its length, said ablation region being adapted for surface contact with said vessel and said ablation region subtending at least a substantially complete circumferential band and being effective to ablate a signal-blocking path within said vessel upon application of energy to the implant;
- 10          - external energy-providing means, which are spatially separated from the implant device and able to provide energy to the implant device for increasing the temperature of the ablation region of the implant device up to an ablation temperature.

15   In a preferred embodiment, the system comprises more than one implant device, each of which adapted to be implanted and deployed within one or more vessels. These implant devices can each be adapted to be implanted and deployed within one or more pulmonary veins.

20   In a particular preferred embodiment, one or more implant devices of the system comprise a proximal portion having a first diameter and a distal portion having a second diameter that is less than the first diameter and that is sufficient to enable said implants to seat within one or more vessels.

25   In a preferred embodiment, at least part of the one or more implant devices of the system is made from at least one material which shows magnetic hysteresis, such as a ferromagnetic, ferrimagnetic or anti-ferromagnetic material. Furthermore, the external energy-providing means may create a time-varying magnetic field at the position of the one or more implant devices. In a more preferred embodiment, this time-varying  
30   magnetic field is created by an electric coil through which a time-varying electrical current is sent.

In another embodiment, the system also comprises

- 35           - a sheath suitable for transporting and delivering the one or more implant devices to or near the desired position in the one or more vessels;
- a guidewire suitable for sequentially guiding the sheath with the one or more implants to the desired position in the one or more vessels.

In a second aspect, the present invention provides a self-expanding implant device adapted to be implanted and deployed within a vessel; said implant comprising an ablation region along at least a portion of its length, the ablation region being adapted for surface contact with the vessel and the ablation region subtending at least a substantially complete circumferential band and being effective to ablate a signal-blocking path within the vessel upon application of energy to the implant; whereby said ablation region comprises at least one material which shows magnetic hysteresis, such as a ferromagnetic, ferrimagnetic or anti-ferromagnetic material.

In a preferred embodiment, the implant device is adapted to be implanted and deployed within a pulmonary vein.

In a particular preferred embodiment, parts of the implant device are made from more than one material showing magnetic hysteresis and which have different Curie or Néel temperatures.

In a more preferred embodiment the implant device is suitable for long-term implantation. In another preferred embodiment, the implant device is a bio-resorbable implant device or an implant that disappears, e.g. by evaporation, after one or more ablations. Furthermore, the implant device may comprise a proximal portion having a first diameter and a distal portion having a second diameter that is less than the first diameter and that is sufficient to enable said implant device to seat within a vessel. The implant device may further comprise anchoring means at or near the proximal or distal portion of said implant device, said anchoring means being suitable for keeping the device at or near the same position compared to the vessel's inner wall.

In a preferred embodiment, part of said implant device which can come into contact with the patient's blood when said implant device is implanted, is thermally isolated from the rest of the implant device such that the blood is not heated or overheated during the excitation of the implant device. Such part can comprise an adluminal coating or a layer with high isolation characteristics.

In a preferred embodiment, the implant device comprises a core region of material with a certain Curie temperature, surrounded by other material with thermal and/or elastic properties suitable for the implant device's purpose.

In a preferred embodiment, the implant device comprises cavities which are filled with one or more substances and which open when the implant is heated. In a more preferred embodiment, these substances are mixed before being released into the patient's body or vessel wall, e.g. to deliver a two-component neurotoxin. In another preferred embodiment, these substances are a selection or a composition of one or more of the following substances:

- ethanol;
- tetrodotoxin and batrachotoxin;
- maurotoxin, agitoxin, charybdotoxin, margatoxin, slo toxin, scyllatoxin or hefutoxin;
- calciseptine, taicatoxin, calciclude, or PhTx3;
- botulinum toxin;
- cytochalasin D, rapamycin, sirolimus, zotarolimus, everolimus, paclitaxel;
- glutamate;
- isoquinoline;
- N-methyl-(R)-salsolinol;
- Beta-carboline derivatives.

In a third aspect, the present invention provides a method for the treatment of a patient with atrial fibrillation by pulmonary vein isolation via ablation of a substantially complete circumferential band on one or more pulmonary veins' walls from the inside, comprising the steps of

- implanting one or more implant devices in one or more pulmonary veins by means of a sheath and a guidewire, said implant devices each comprising an ablation region along at least a portion of their length, said ablation regions being adapted for surface contact with said pulmonary veins and said ablation regions subtending at least a substantially complete circumferential band and being effective to ablate a signal-blocking path within said pulmonary veins upon application of energy to said implant devices;
- retracting the sheath and guidewire;
- subsequently heating the ablation region of the one or more implant devices by external energy-providing means, which are spatially separated from the implant device.

In a preferred embodiment of the method, a recovery period is observed prior to heating the ablation region of the one or more implant devices by external energy-providing means. Furthermore, this recovery period may be long enough to allow the one or more implant devices to be integrated into the vessel wall or endothelialized.

In a particular preferred embodiment of the method, the step of heating the ablation region of the one or more implant devices by external energy-providing means, which are spatially separated from the implant device, is performed more than once, e.g. at  
5 well-spaced time-intervals, whenever it is deemed necessary, etc.

In a more preferred embodiment of the method, one or more implant devices as described in this document are being used.

10 In a still more preferred embodiment of the method, use is made of a system as described in this document.

### DESCRIPTION OF FIGURES

15 **Figures 1 to 5, and 9 to 11** schematically represent different embodiments of an implant for the treatment of arterial and venous structures according to the invention.

**Figures 6 to 8** schematically represent a detail of a portion of an implant according to the invention.

20

**Figure 12** schematically represents an embodiment of a sheath with guidewire and implant device.

25 **Figure 13** schematically shows the way the catheterization can be done in order to deliver one or more implants in the PVs.

**Figure 14** schematically represents an embodiment of the external energy-providing means as it can be used for treating a patient.

30 **Figure 15** schematically represents an embodiment of an implant in place at a PV.

**Figure 16** shows a magnetic hysteresis loop for a ferromagnet:  $H$  is the intensity of the magnetic field,  $M$  is the magnetic moment of the sample,  $H_c$  is the coercive field,  $M_r$  is the residual magnetic moment, and  $M_s$  is the saturation magnetic moment. The  
35 nonlimiting hysteresis loop is shown by the dotted line. The domain structure of the sample for certain points on the loop is shown schematically.

**Figure 17** shows the typical temperature dependence of the hysteresis loop of a magnetic material with Curie or Néel temperature of 140 °C.

**Figure 18** shows an embodiment of an implant which has an hour-glass shape, whereby near the middle region, where the diameter becomes smaller, a set of heating rings is attached around the hour-glass shaped part of the implant.

#### **DETAILED DESCRIPTION OF THE INVENTION**

10 The present invention concerns a system of one or more implant devices and excitation device, an implant device and a method using the system and one or more devices for the treatment of arterial and venous structures.

15 Unless otherwise defined, all terms used in disclosing the invention, including technical and scientific terms, have the meaning as commonly understood by one of ordinary skill in the art to which this invention belongs. By means of further guidance, term definitions are included to better appreciate the teaching of the present invention.

As used herein, the following terms have the following meanings:

20

"A", "an", and "the" as used herein refers to both singular and plural referents unless the context clearly dictates otherwise. By way of example, "a compartment" refers to one or more than one compartment.

25 "About" as used herein referring to a measurable value such as a parameter, an amount, a temporal duration, and the like, is meant to encompass variations of +/- 20% or less, preferably +/-10% or less, more preferably +/-5% or less, even more preferably +/-1% or less, and still more preferably +/-0.1% or less of and from the specified value, in so far such variations are appropriate to perform in the disclosed invention. However, it is to be understood that the value to which the modifier "about" refers is itself also specifically disclosed.

30

35 "Comprise," "comprising," and "comprises" and "comprised of" as used herein are synonymous with "include", "including", "includes" or "contain", "containing", "contains" and are inclusive or open-ended terms that specifies the presence of what follows e.g. component and do not exclude or preclude the presence of additional,

non-recited components, features, element, members, steps, known in the art or disclosed therein.

5 The recitation of numerical ranges by endpoints includes all numbers and fractions subsumed within that range, as well as the recited endpoints.

The expression "% by weight" (weight percent), here and throughout the description unless otherwise defined, refers to the relative weight of the respective component based on the overall weight of the formulation.

10

The expressions "implant" and "implant device" are used interchangeably in this application. An implant device as used in the present context, refers to an artificial tube or tube-like device, i.e. a device which has a circumferential wall and which is at least partly open at the top and at the bottom, whereby said circumferential wall may or may not have openings or holes, said tube or tube-like device intended to be placed inside a vessel of the body of a patient, e.g. a vein. In the present context, the terms "implant" and "implant device" do not necessarily mean that the device is placed inside a vessel to keep this vessel open for fluids, although this can be one of the effects of the device. The implant device is, however, meant to be seated in a fixed position compared to the vessel and not to move due to fluid flow through the vessel. When using the term "implanted" device, it is meant that the implant or implant device has been implanted. In an embodiment, the implant device is a stent device, meaning that the device has the intended effect of keeping the vessel open for fluids when implanted.

25

The terms "catheter" and "sheath" are used interchangeably in this application.

30 The term "guidewire" is used in this application for a device which can be controllably guided when inserted into a body. In a preferred embodiment, it is a catheter, i.e. a guiding catheter. In another embodiment, it is solid and does not have a lumen.

35

The terms "Curie temperature" and "Néel temperature" refer to the temperature above which ferromagnetic, anti-ferromagnetic and ferrimagnetic materials become para- or diamagnetic, and are used interchangeably in the following.

In a first aspect, the present invention provides a system for ablation of at least a part of a vessel's wall from the inside, comprised of

- 5 - a self-expanding implant device, adapted to be implanted and deployed within said vessel; whereby said implant comprises an ablation region along at least a portion of its length, said ablation region being adapted for surface contact with said vessel and said ablation region subtending at least a substantially complete circumferential band and being effective to ablate a signal-blocking path within said vessel upon application of energy to the implant;
- 10 - external energy-providing means, which are spatially separated from the implant device and able to provide energy to the implant device for increasing the temperature of the ablation region of the implant device up to an ablation temperature.

The implant device is self-expanding, for example, being formed of a shape memory alloy, and is configured to lodge against the interior wall of e.g. a pulmonary vein. The implant may be formed as a loop, helix, progressively wound helix or other suitable shape. It may have anchoring means such as hooks or barbs near the ends, preferably near the proximal end at the side of the antrum or near the distal end at the side of the ostium or deeper into the vessel when implanted in a PV near the left atrium. The implant device may comprise an ablation region which is in contact with the ablation region of the vessel's wall. Preferably, the ablation region comprises a substantially complete circumferential band around the vessel's wall. The ablation region may comprise a complete circumferential band around the vessel's inner wall, or the ablation region may comprise a complete circumferential band around the vessel's wall and this for the complete thickness of the wall. With 'substantially' is meant that the ablation region is such that all electric signals arising at one side of the ablation region do not reach the other side, i.e. a signal-blocking path is ablated. Energy can be provided to the implant device by external means through electromagnetic radiation, through hysteresis heating via a time-varying magnetic field, by direct and indirect induction and by Joule heating, by acoustic, mechanical-vibrational and chemical energy means, by a thermal/chemical or mechanical/chemical release system.

One of the advantages of the present invention over prior art techniques, is that the one or more implant devices can be heated up simultaneously, i.e. the delivery of energy to the implants happens at the same time and does not need to be done sequentially. This saves time and increases the patient's comfort. Through built-in control of the temperature, e.g. by using magnetic material with a specified Curie



temperature or by using the proper insulation material in the implant, additional energy delivery will not further increase the temperature built-up in the implant.

5 By 'external' energy-providing means is meant that these means are spatially separated from the implant device, i.e. there is no physical connection between the energy-providing means and the implant device, or, more specifically, the energy-providing means are completely outside the patient's body and the patient's skin can remain intact while the energy is provided.

10 The temperature of ablation region is specified according to the needs of the treatment. Depending on the ablation temperature needed, the implant device can be engineered to be warmer at certain regions than in other regions by using the magnetic and thermal properties of the materials of which the implant device is composed. In an embodiment, parts of the implant device may be thermally isolated  
15 from other parts of the implant device or from parts of the body or bodily fluids.

In a preferred embodiment, the system comprises more than one implant device, each of which adapted to be implanted and deployed within one or more vessels. These implant devices can each be adapted to be implanted and deployed within one or more  
20 pulmonary veins.

In about 60% of the patients, four PVs debouch separately into the left atrium. However, in other patients, two PVs have a common debouch and in still other patients, there can be a fifth vein debouching in the left atrium. It should be clear that  
25 the one or more implant devices can be adapted to fit into all these veins, also for the less occurring cases.

In a particular preferred embodiment, one or more implant devices of the system comprise a proximal portion having a first diameter and a distal portion having a  
30 second diameter that is less than the first diameter and that is sufficient to enable said implants to seat within one or more vessels.

Mainly for the right PVs, an implant as described above can be used, since these PVs usually have a different diameter in their ostium than in their antrum.

35 In a particular preferred embodiment, one or more implant devices of the system comprise a proximal portion having a first diameter and a distal portion having a

second diameter that is greater than or equal to the first diameter and that is sufficient to enable said implants to seat within one or more vessels.

5 Mainly for the left PVs, an implant as described above can be used, since these PVs usually have the same or a similar diameter in their ostium as in their antrum. In some cases the diameter in the distal part of the PV is larger than the diameter of the proximal part.

10 Obviously, the way a PV is connected to the left atrium depends on the patient. The shape of antrum and ostium can be different for each PV and each patient. However, it should be clear to the person skilled in the art that the proximal portion with the larger diameter is to be placed near the antrum, while the distal portion with the smaller diameter is placed near the ostium or deeper inside the PV. In case the implant device is implanted in another type of vessel, it should be clear that the shape of the  
15 implant device can be adapted so as to fit into the specific vessel.

In order to make the shape and dimensions of the implants, it is possible by a scanning technique such as CT-scan or MRI, to collect data on the varying diameter of the vessel when going from the ostium to the antrum. From these data, one can  
20 derive the necessary shape and dimensions of the implants e.g. for all four PVs of a patient. Again this measuring can be done without a surgical procedure, thereby increasing the patient's comfort and wellbeing and reducing medical risks. After this measuring, the implants can be custom-made to fit the patient's vessel or vessels.

25 In a preferred embodiment, at least part of the one or more implant devices of the system is made from at least one material which shows magnetic hysteresis, such as a ferromagnetic, ferrimagnetic or anti-ferromagnetic material. Furthermore, the external energy-providing means may create a time-varying magnetic field at the position of the one or more implant devices. In a more preferred embodiment, this time-varying  
30 magnetic field is created by an electric coil through which a time-varying electrical current is sent.

Magnetic hysteresis arises in a plethora of materials. Most known and most used are the ferromagnetic, anti-ferromagnetic and ferrimagnetic materials. These have highly  
35 non-linear magnetic properties, i.e. the magnetic induction field is not directly proportional to the applied magnetic field inside the material. However, all these material lose their specific magnetic properties above a certain temperature, called the

Curie or Néel temperature. This temperature is material-specific. Above this temperature, the ferromagnetic, anti-ferromagnetic and ferrimagnetic materials become para- or diamagnetic and thereby lose their non-linear magnetic properties. The non-linear magnetic properties of ferromagnetic, anti-ferromagnetic and ferrimagnetic materials can be deduced from the hysteresis that is observed when applying a time-varying magnetic field.

Magnetic hysteresis is observed in magnetic materials, such as ferromagnets. The main feature of ferromagnets is the presence of spontaneous magnetization. A ferromagnet usually is not uniformly magnetized but is divided into domains—regions of uniform spontaneous magnetization whose degree of magnetization (the magnetic moment per unit volume) is identical, although the directions are different. Under the effect of an external magnetic field the number and size of the domains magnetized along the field increase at the expense of other domains. Moreover, the magnetic moments of certain domains may rotate in the direction of the field. As a result the magnetic moment of the sample increases.

The dependence of the magnetic moment  $M$  of a ferromagnetic sample on the intensity  $H$  of the external magnetic field (the magnetization curve) is shown in Fig. 16. In a sufficiently strong magnetic field the sample is magnetized to saturation (as the field increases further, the value of  $M$  remains virtually unchanged—point A). Here the sample consists of one domain with a magnetic moment of saturation  $M_s$  oriented along the field. As the intensity  $H$  of the external magnetic field is reduced, the magnetic moment  $M$  of the sample will decline along curve I primarily because of the appearance and growth of domains whose magnetic moment is oriented against the field. The growth of the domains is due to the movement of the domain walls. This movement is hindered by the presence in the sample of various defects (such as impurities or inhomogeneities) that strengthen the domain walls at some points; very strong magnetic fields are required to displace them. Therefore as the field  $H$  drops to zero, the so-called residual magnetic moment  $M_r$  (point B) is retained. A sample can be completely demagnetized only in a sufficiently strong field of opposite direction, which is called a coercive field (coercive force)  $H_c$  (point C). As the magnetic field of reverse orientation is further increased, the sample is once again magnetized along the field to saturation (point D). Magnetic reversal (from point D to point A) takes place along curve II. Thus, as the field undergoes a cyclical change, the curve characterizing the change in the magnetic moment of the sample forms a magnetic hysteresis loop. If the field  $H$  changes cyclically with such limits that magnetization

does not reach saturation, a nonlimiting magnetic hysteresis loop is produced (curve III). By reducing the extent of the change in field  $H$  to zero, the sample can be completely demagnetized (point  $O$  can be reached). The magnetization of the sample from point  $O$  proceeds along curve IV.

5

In magnetic hysteresis different values of the magnetic moment  $M$  correspond to the same value of the external magnetic field intensity  $H$ . This nonuniqueness is due to the influence of the states of the sample that precede the given state (that is, to the magnetic prehistory of the sample).

10

The shape and size of magnetic hysteresis loops and the quantity  $H_c$  may range within wide limits in various ferromagnets. For example, in pure iron,  $H_c = 1$  oersted, and in a magnico alloy  $H_c = 580$  oersteds. A magnetic hysteresis loop is strongly affected by processing of the material, during which the number of defects is changed. The area of a magnetic hysteresis loop is equal to the energy lost in the sample in one cycle of field change. This energy is also proportional to the total volume of ferromagnetic material in the sample. This energy ultimately is used to heat the sample. Such energy losses are called hysteresis losses. In cases when losses to hysteresis are undesirable (for example, in transformer cores and in the stators and rotors of electrical machinery), magnetically soft materials with a low  $H_c$  and a small hysteresis loop area are used. On the other hand, magnetically hard materials with a high  $H_c$  are required to manufacture permanent magnets.

15

20

25

As the frequency of the alternating magnetic field (the number of magnetic reversal cycles per unit time) increases, other losses caused by eddy currents and magnetic viscosity are added to hysteresis losses. At high frequencies the area of the hysteresis loop increases correspondingly. Such a loop is sometimes called a dynamic loop, in contrast to the static loop described above.

30

Many other properties of a ferromagnet, such as electrical resistance and mechanical deformation, depend on the magnetic moment. A change in magnetic moment also brings about a change in these properties—for example, galvanomagnetic and magnetostrictive hysteresis, respectively, are observed.

35

The hysteresis loop depends on the temperature. Figure 17 shows the typical temperature dependence of the hysteresis loop of a magnetic material with Curie or Néel temperature of  $140^\circ\text{C}$ . Note that only the temperature dependence of the shape

is characteristic and no units are given on the axes, the figure is meant for illustration purposes. It is observed that the hysteresis loop changes with temperature, becoming sharper and thinner, and eventually disappearing at the Curie or Néel temperature. From this temperature onwards, the material becomes para- or diamagnetic and no heating losses due to hysteresis are observed. This means that the material does not heat up anymore, at least not due to hysteresis effects, and remains at the Curie or Néel temperature. (In the following, the two terms 'Curie' and 'Néel' temperature can be used interchangeably.) It should be remarked that heating due to other effects, such as direct or indirect induction may still be possible, but these effects are negligible in the present case, especially when compared to the gigantic heating capabilities by hysteresis effects.

It should be now clear to the skilled person that when the ablation region of an implant device comprises material with Curie temperature of e.g. 40°C, the implant will be heated up to this temperature and not more when being subjected to a time-varying magnetic field, e.g. by the external energy-providing means of the system of the present invention. If the ablation temperature needs to be 42 °C or 45°C, the magnetic material used in the implant may be altered to have this temperature as Curie temperature. This can be done by e.g. changing the composition of an alloy of magnetic material. The Curie temperature of a magnetic material can be very precisely engineered.

In a preferred embodiment, the magnetic materials used in the implant device are a combination or alloy of the following materials: MnAs, Gd, Gd with a thin Fe overlayer, Ni-Fe alloy with around 29.5 at.% Ni which is cooled slowly from 1000°C, Ni-Fe with 30 at.% Ni, Cr, CoO, ZnFe<sub>2</sub>O<sub>4</sub>, are any magnetic material with Curie or Néel temperature above 10, 20, 25, 30, 35, 40°C and/or below 75, 70, 65, 60, 55, 50, 45, 40°C.

The Curie or Néel temperatures of alloys or composite materials can depend highly on the procedure for making these materials. Especially annealing procedures may be important. Also other ways of altering the Curie temperatures such as ion radiation can be used to provide the desired material. One can use any magnetic material, alloy, binary alloy, ternary alloy or quaternary alloy with the desired Curie or Néel temperature as specified in standard reference works such as the Landolt-Börnstein database.

In another embodiment, the system also comprises

- a sheath suitable for transporting and delivering the one or more implant devices to or near the desired position in the one or more vessels;
- a guidewire suitable for sequentially guiding the sheath with the one or more implants to the desired position in the one or more vessels.

The sheath in this embodiment includes an implant delivery system capable of delivering the one or more implant devices as described in this text. An embodiment of such sheath with delivery device and guidewire is shown in figure 12.

10 In a second aspect, the present invention provides a self-expanding implant device adapted to be implanted and deployed within a vessel; said implant comprising an ablation region along at least a portion of its length, the ablation region being adapted for surface contact with the vessel and the ablation region subtending at least a substantially complete circumferential band and being effective to ablate a signal-  
15 blocking path within the vessel upon application of energy to the implant; whereby said ablation region comprises at least one material which shows magnetic hysteresis, such as a ferromagnetic, ferrimagnetic or anti-ferromagnetic material.

In a preferred embodiment, the implant device is adapted to be implanted and  
20 deployed within a pulmonary vein.

In a particular preferred embodiment, parts of the implant device are made from more than one material showing magnetic hysteresis and which have different Curie or Néel temperatures.

25 Different temperatures cause different lesions on different places depending on which ablation regions of the implant device comprises which material. By thermally isolating parts of the implant device which consist of material with different Curie temperatures, a gradation in ablation temperature along the implant device is possible. Also, parts  
30 comprising material with higher heat capacities will heat up more slowly, but will remain hot longer afterwards, etc. Engineering of ablation characteristics can be done by engineering the implant making use of the magnetic and thermal properties of the materials used in the implant.

35 In a more preferred embodiment the implant device is suitable for long-term implantation. In another embodiment, the implant device is a bio-resorbable implant device or an implant that disappears, e.g. by evaporation, after one or more ablation

procedures. In a preferred embodiment, the implant device may comprise a proximal portion having a first diameter and a distal portion having a second diameter that is less than the first diameter and that is sufficient to enable said implant device to seat within a vessel. The implant device may further comprise anchoring means at or near the proximal or distal portion of said implant device, said anchoring means being suitable for keeping the device at or near the same position compared to the vessel's inner wall. The anchoring means may comprise hooks or barbs or anything else known in the art for keeping an implant device at the desired position.

10 In a preferred embodiment, the implant device comprises an elastically compressible body comprising externally triggerable portions and provided of anchoring means. The body may be mainly made of wires and may, in expanded or released position, be provided of a narrowing tubular shape and/or a somewhat flattened narrowing tubular shape, i.e. that the cross sections at most positions along the longitudinal axis are  
15 oval shaped or the like, suitable to be placed inside the antrum of a pulmonary vein. The body may also comprise between two and five circular wires, a first bigger circular or oval wire, and further circular or oval wires with decreasing diameter, positioned and maintained at a distance from each other, at least when the body is in a released or not compressed position. The body may be built up out of braided metal wires (that  
20 have multiple interconnections, crossings and/or layers which allows for numerous connections with the vascular wall in the heart, more specifically in the atria, more specifically in the left and right atrium, more specifically in the antrum or ostium of the pulmonary veins. The body may be conceived as a spirally shaped wire of which the diameter gradually goes down along its longitudinal axis. The windings of the  
25 implant device may be mutually connected with bridging upstanding wire portions providing closed loops to ensure full and circular coverage of for example the antrum/ostium of the pulmonary veins once the device is released. The body may show longitudinal metal beads that are outward bending, and that still show several interconnections between them, to ultimately form a metal cage. The implant device  
30 may be characterized in that the greatest distance between two points that can be measured on the circular or oval wires of the body will range from 3 to 30 mm, more specifically from 5 mm to 20 mm, even more specifically from 9 mm to 13 mm, if to be implanted at the ostia of the pulmonary vein. The implant device may be characterized in that the greatest distance between two points that can be measured  
35 on the circular or oval wires of the body of the implant device will range from 5 to 50 mm, more specifically from 8 mm to 40 mm, even more specifically from 10 mm to 30 mm, if to be implanted at the site of the antrum. The body of the implant device may

be mainly made of one or more metal alloys. The body of the implant device may comprise portions which are externally triggerable by means of an energy field or a combination of energy fields chosen from electromagnetic radiation, direct or indirect induction, acoustic energy, mechanical vibration, heating and/or changing other characteristics of the implant or portions thereof. Some of the material used in the implant device may be of the type that reacts, for example heats, in response to a remote applied alternating magnetic field. Energy can be provided to the implant device by external means through electromagnetic radiation, through hysteresis heating via a time-varying magnetic field, by direct and indirect induction and by Joule heating, by acoustic, mechanical-vibrational and chemical energy means, by a thermal/chemical or mechanical/chemical release system. The body may comprise portions made of different metal alloys with optionally different ferromagnetic properties and/or absorption coefficients, with specific response to alternating magnetic fields. Portions of the body of the implant device may be provided of one or more coatings with varying properties. The wire or wires or other portions of the body of the implant device is/are composed of different layers made of different alloys and/or of other materials. The implant device may be further characterized in that different coatings or layers represent different responses to externally applied energy fields, for example to externally applied alternating magnetic fields. An adluminal coating or layer with high isolation characteristics may be provided to the implant device. The body of the implant device may have self-expanding properties thanks to the elastic characteristics of the material used, and thanks to the geometry of the body, and further expansion is stopped when it encounters a counter pressure of about 10 to 40, preferably 20 to 30, more preferably 22 to 28, even more preferably around 25 mm Hg, equal to the distension pressure needed to alter the left atrium's anatomy. The implant device may be characterized in that it is provided of toxic substances that are only released upon introduction into the pulmonary vein/antrum, for example after applying an external energy field, which toxic substances then produce a lesion of limited necrosis/neurotoxicity. These toxins may include, but are not limited to ethanol, tetrodotoxin and batrachotoxin, maurotoxin, agitoxin, charybdotoxin, margatoxin, slo toxin, scyllatoxin and hefutoxin, calciseptine, taicatoxin, calcicludine, and PhTx3, botulinum toxine, cytochalasin D, rapamycin, sirolimus, zotarolimus, everolimus, paclitaxel, glutamate, isoquinoline, N-methyl-(R)-salsolinol, Beta-carboline derivates. The implant device may be provided of micro pores wherein substances are provided, which can be released by a triggering energy field. The implant device may be provided of a thermoactive coating which is only activated upon temperatures above 35°C so that the body temperature would trigger



activation. The implant device may be provided of a thermoactive coating which is only activated upon temperatures above 45°C so that an external application of an energy field would trigger activation. The implant device may be provided of anchoring means which mainly consist of the elongated shape and/or the expanding forces optionally in combination with the wired structure allowing partial insertion or impression in the wall of the heart, more specifically of the atria, more specifically of the left and right atrium, more specifically of the antrum or ostium of the pulmonary veins. These anchoring means may also comprise hooks or barbs or the like, optionally provided on the outwardly directed portions of the implant.

10

In a preferred embodiment, the system for the treatment of arterial and venous structures, comprises an implant device according to any of the above embodiments and an excitation or energy-providing device preferably conceived to be used from the exterior of the patient, after being provided of an implant device, whereby the excitation serves to change the characteristics of the implant device in order to treat the arterial or venous structure where the implant device is located. The excitation device for the treatment of arterial and venous structures, may be conceived to be used in cooperation with an implant device according to any embodiment described in this text.

20

In a preferred embodiment the part of the implant device which can come into contact with the patient's blood when said implant device is implanted, is thermally isolated from the rest of the implant device such that the blood is not heated or overheated during the excitation of the implant device. Such part may comprise an adluminal coating or a layer with high isolation characteristics. It is clear that heating of the blood should be avoided as much as possible for the benefit and comfort of a patient.

25

In another embodiment, the implant device comprises a core region of material with a certain Curie temperature, surrounded by other material with thermal and/or elastic properties suitable for the implant device's purpose. As such, one can engineer the temperature profile through the implant device. It should be clear that the parts of the implant which are meant to contact the vessel wall and the form lesions by ablation, should be heated mostly while other parts of the implant, which are in contact with the vessel or the blood and are not meant to form lesions, should receive as little heat as possible for the wellbeing of a patient.

35

In still another embodiment, the implant device comprises cavities which are filled with one or more substances and which open when the implant is heated. In a preferred embodiment, these substances are mixed before being released into the patient's body or vessel wall, e.g. to deliver a two-component neurotixine. In a more preferred embodiment, these substances are a selection or a composition of one or more of the following substances:

- ethanol;
- tetrodotoxin and batrachotoxin;
- maurotoxin, agitoxin, charybdotoxin, margatoxin, slotoxin, scyllatoxin or hefutoxin;
- calciseptine, taicatoxin, calciclude, or PhTx3;
- botulinum toxide;
- cytochalasin D, rapamycin, sirolimus, zotarolimus, everolimus, paclitaxel;
- glutamate;
- isoquinoline;
- N-methyl-(R)-salsolinol;
- Beta-carboline derivates.

With such implants, it becomes possible to release the desired substances into the vessel wall or the blood stream at the desired moment, by heating the implant with e.g. external energy providing means. Furthermore, the implant and cavities in the implant may be designed such that the two components of e.g. a two-component neurotixine, are mixed before being released into the body.

In a third aspect, the present invention provides a method for the treatment of a patient with atrial fibrillation by pulmonary vein isolation via ablation of a substantially complete circumferential band on one or more pulmonary veins' inner walls, comprising the steps of

- implanting one or more implant devices in one or more pulmonary veins by means of a sheath and a guidewire, said implant devices each comprising an ablation region along at least a portion of their length, said ablation regions being adapted for surface contact with said pulmonary veins and said ablation regions subtending at least a substantially complete circumferential band and being effective to ablate a signal-blocking path within said pulmonary veins upon application of energy to said implant devices;
- retracting the sheath and guidewire;
- subsequently heating the ablation region of the one or more implant devices by external energy-providing means, which are spatially separated from the implant device.

It should be stressed that in the above method, the heating of the implant device occurs after the surgical procedure. This improves the ease of the heating procedure and the comfort of the patient.

5

In a preferred embodiment of the method, a recovery period is observed prior to heating the ablation region of the one or more implant devices by external energy-providing means. Furthermore, this recovery period is long enough to allow the one or more implant devices to be overgrown by bodily tissue.

10

The advantages of observing a waiting period are multiple: the patient has time to recover from the surgical procedure, extra tests can be performed during the waiting period to check whether the implant device was well implanted, bodily tissue can overgrow the implant device, thereby improving the contact of implant device with the vessel's inner wall and thus improving the efficiency of the ablation procedure, etc.

15

In a particular preferred embodiment of the method, the step of heating the ablation region of the one or more implant devices by external energy-providing means, which are spatially separated from the implant device, is performed repeatedly at well-spaced time-intervals.

20

The presented method has the main advantage that in case multiple ablation procedures are necessary, no second surgical procedure is needed, i.e. the implanted implant device or devices can be reused for a second, third, ... ablation procedure.

25

In a more preferred embodiment of the method, one or more implant devices as described in this document are being used. Thereby the implant devices can be engineered in order to produce the required effects by engineering their shape, size, material composition, magnetic and thermal properties, etc.

30

In a still more preferred embodiment of the method, use is made of a system as described in this document. In this case, the implant device can be heated by the external energy-providing means and a highly-controlled temperature of the ablation region of implant can be reached.

35

In an embodiment of the method, the patient's vessels into which an implant is to be implanted are scanned using a 3D scanning technique such as CT or MRI to collect

data on the varying diameter of the vessel e.g. when going from the ostium to the antrum. From these data, one can derive the necessary shape and dimensions of the implants e.g. for all four PVs of a patient. This measuring can be done without a surgical procedure, thereby increasing the patient's comfort and wellbeing and reducing medical risks. After this measuring, the implants can be custom-made to fit the patient's vessel or vessels. Obviously, custom-made implants, in contrast with standard-sized implants, increase the success rate of any medical procedure.

The following test describes the system, device and method according to embodiments of the present invention as they are applied to and tested in the treatment of pigs.

Twelve pigs were anaesthetized following good animal practices. After catheterizing the right atrium, and following successful transeptal puncture, a guiding catheter is placed in the left atrium. In an order free to choice by the cardiologist, the four pulmonary veins are consecutively engaged by the guiding catheter. Following this, a 0.014" guidewire is put distally into the pulmonary vein of choice. A preselected (guided by preprocedural CT scan) implant device is then positioned into the antrum/ostium of the pulmonary vein. Upon controlling the exact position - using the five radioopaque markers on the implant device - the self-expanding implant device is then released into the antrum/ostium/pulmonary vein so as to have the four most proximal markers outside of the pulmonary vein, and only have the fifth most distal marker residing inside the pulmonary vein. This procedure is repeated for the four different pulmonary vein ostia, so that at the end of the procedure all four implants are in situ. The procedure is then terminated, all catheters are withdrawn, hemostasis is achieved, and the animals are awakened.

An average of two weeks later (14+/- 5 days) the animals are placed inside the dedicated magnetic field generator, using the predefined protocol to activate the implant devices.

The day after the implant activation, the animals are recatheterized, again with placing a guiding catheter transeptally into the left atrium. Electrophysiology catheters are placed inside the left atrium so that signal mapping can be performed. A lasso catheter is placed inside the pulmonary veins so that after stimulation complete entrance block is proved. Consequently, exit pacing is performed, proving no atrial capture from the pulmonary veins (showing exit block), so that finally (bidirectional) complete isolation is confirmed.

All procedures are successful, with complete isolation shown in 47/48 pulmonary veins (98%). No side effects or complications are noted.

Anatomopathology shows good apposition in 46/48 cases. Transmural lesions are present in 43/48 (96%) cases.

- 5 The invention is further described by the following non-limiting examples which further illustrate the invention, and are not intended to, nor should they be interpreted to, limit the scope of the invention.

#### EXAMPLES

- 10 Figure 1 represents a preferred embodiment of an implant 1 according to the present invention with circular cross-section (figure 1B) and elliptic cross-section (figure 1C). It should be clear that in the other figures showing embodiments of implants, the cross-sections can also be circular or elliptical, or basically any other shape which fits the vessel into which it is to be implanted best.

15

The represented implant 1 comprises a body 2, in this case shaped as narrowing tubular cage and made of metal wires 3 or the like, suitable to be placed inside the antrum of a pulmonary vein.

- 20 More in particular, the body 2 is provided of in this case three circular wires, a first bigger circular wire 4, an intermediate mid-sized second circular wire 5, and a third smaller circular wire 6.

25 The outlook of the body 2 may though be provided of more or less than three rings, for example two to five, more specifically three to four, or even more than five rings.

The first bigger circular wire 4 is connected with the intermediate mid-sized second circular wire 5 by means of in this case three straight inclined but upstanding wire portions 7.

30

In a similar manner, the intermediate mid-sized second circular wire 5 is connected with the third smaller circular wire 6 by means of in this case also three straight inclined but upstanding wire portions 8.

The wire portions 8 are here located at intermediate positions with respect to the wire portions 7.

5 The result is a narrowing tubular cage, which could also be described as a mainly conical or funnel shaped body 2, provided of three circular wires positioned at a distance from each other, at least when the body 2 is in a released or not compressed position.

10 In general terms, the self-expanding body 2 is preferably provided of a shape that fits the anatomy of the vein, for example a pulmonary vein.

The circular wires may, according to a preferential embodiment, be provided of a mainly oval shape such that the body 2 is built up of different oval rings of converging diameter, ideally adapted to the anatomy of the pulmonary veins.

15 These rings of the body 2 will typically range in diameter from 3 to 30 mm, more specifically between 5 mm and 20 mm, even more specifically between 9 mm and 13 mm if to be implanted in the heart, more specifically in the atria, more specifically in the left and right atrium, more specifically in the antrum or ostium of the pulmonary  
20 veins.

25 These rings of the body 2 will typically range from 5 mm to 50 mm, more specifically from 8 mm to 40 mm, even more specifically between 10 mm and 30 mm if to be implanted at the site of the antrum.

The body 2 has self-expanding properties thanks to the elastic characteristics of the material used, and thanks to the geometry of the body 2.

30 If a metal is used, it may be nitinol-based known for its superior self-expansion properties.

35 The self-expanding body 2 is conceived to stop expanding when it encounters a pressure of about 1 to 150 mm Hg, more specifically 3 to 80 mm Hg, more specifically 5 to 60 mm Hg, more specifically 10 to 40 mm Hg, equal to the distension pressure needed to alter the left atrium's anatomy.

Alternatively, a self-expanding cage may be conceived existing of different circular or oval shape rings that are interconnected. The rings may be formed so that a spiral form is created. The different rings of the spiral will also be interconnected so that upon heating or upon release of substances from the cage, no openings for recurrence  
5 of electrical signals are left open.

In this case, the material used is of the type that reacts, for example heats, in response to a remote applied alternating magnetic field.

10 The principle of hysteresis causes the metal of the cage to heat up, depending on the absorptive properties of the metal alloy that builds up the body 2.

Alternative is an electromagnetic field generator that changes polarity and therefore induces hysteresis heating in materials put inside the field. The system may use the  
15 Curie temperatures (the temperature to which a certain material can be heated, upon which further energy delivery does no longer change the temperature) that certain materials possess, as to the target temperature that should and can be reached. For example,  $ZnFe_2O_4$  is a material that has a Curie temperature between 30 and 45 degrees Celsius.

20

A metal alloy cage that comprises  $ZnFe_2O_4$  in its structure may therefore be heated to exactly 45 degrees, close to the target temperature desirable for appropriate ablation purposes.

25 Another alternative to deliver energy to the cage could be direct induction, using a magnetic core, again making use of hysteresis heating but in a more directive way.

Another alternative to deliver energy to the cage could be to use electromagnetic radiation through a thermal chemical-release system with external trigger, where the  
30 chemical is only released on demand and at the appropriate sites.

It is clear that still alternative energy field can be applied, such as electromagnetic radiation, hysteresis heating, reaching Curie temperature, direct induction, thermal/chemical release system, mechanical/chemical release system, indirect  
35 induction, Joule heating, acoustic energy, mechanical vibration, chemical release system.

Alternatively, the body 2 can be provided of toxic substances that are only released upon introduction into the pulmonary vein/antrum, for example after applying an external energy field, which toxic substances then produce a lesion of limited necrosis/neurotoxicity.

5

In figure 2, an alternative embodiment of the implant 1 according to the invention is represented.

10

The body is built up out of braided metal wires 9 that have multiple interconnections, crossings and layers. This iteration allows for numerous connections with the atrial vascular or other wall.

15

In figure 3, the implant 1 is conceived as a spirally shaped wire 10 of which the diameter gradually goes down along its longitudinal axis.

The windings 10A-10D, in this case four, are mutually connected with bridging upstanding wire portions 8.

20

This embodiment thus differs from the embodiment as represented in figure 1 by the single or continuous spirally shaped wire instead of the different circular wires 4-6.

The bridging upstanding wire portions 8, apart from giving structure and strength to the implant 1, also provide closed loops.

25

Indeed, the different windings 10A-10D are still interconnected to ensure, once the device is released, full and circular lesions in the heart, more specifically in the atria, more specifically in the left and right atrium, more specifically in the antrum or ostium of the pulmonary veins.

30

In figure 4 the implant shows longitudinal metal beads 11 that are outward bending, and that still show several interconnections between them, to ultimately form a metal cage.

35

An implant 1 according to the present invention may comprise portions made of different metal alloys with optionally different ferromagnetic properties and/or absorption coefficients, with specific response to alternating magnetic fields.



Alternatively, the basic structure of the implant 1 may be made of one and the same material, which may be provided of coating portions with varying properties.

5 The embodiment illustrated in figure 5 shows an implant conceived as a spirally shaped wire 10 of which the diameter gradually goes down along its longitudinal axis, but where, as opposed to the embodiment represented in figure 3, the windings 10A-10E, in this case five, are mutually connected by means of bridging upstanding wires 12 which reach from the biggest winding 10A up till the smallest winding 10E.

10 The biggest winding 10A of the implant 1 is built up of a metallic alloy with self-expanding properties, and covered with a layer of a metal that has minimal ferromagnetic properties 100.

15 The next winding 10B is built up of the same self-expanding alloy, covered with a layer of material that has a higher rate of absorption of energy during the hysteresis phenomenon, and thus with altering magnetic fields will reveal different thermal heating properties 200.

20 The windings 10D and 10E most distal from the biggest winding 10A, to be located in a portion of the pulmonary vein remote from the heart, is provided of a layer of material that has still a higher rate of absorption of energy during the hysteresis phenomenon 400.

25 According to another embodiment of the implant 1, a portion of which is schematically represented in figure 6, the wire building up the body 2 of the implant 1 is composed of different layers, in this case three layers made of different alloys 15, 16 and 17.

30 These different alloys are in contact with each other, and depending on different magnetic fields to be applied, they will exhibit different properties.

It is clear that alternatively or in combination with the above or other features, one or more layers can have high thermal isolation characteristics, in order to direct heat where needed, and to isolate portions to prevent undesired heating of blood or tissue.

35 According to another embodiment of the implant 1, a portion of which is schematically represented in figure 7, the body 2 is provided of micropores 18 at the abluminal side 13 (in contrast with the adluminal side 14) wherein substances are provided.

Such substances may for example be a selection or a composition of one or more of the following substances:

- ethanol;
  - 5 - tetrodotoxin and batrachotoxin;
  - maurotoxin, agitoxin, charybdotoxin, margatoxin, slo toxin, scyllatoxin or hefutoxin;
  - calciseptine, taicatoxin, calciclude, or PhTx3;
  - botulinum toxin;
  - cytochalasin D, rapamycin, sirolimus, zotarolimus, everolimus, paclitaxel;
  - 10 - glutamate;
  - isoquinoline;
  - N-methyl-(R)-salsolinol;
  - Beta-carboline derivatives.
- 15 The micropores 18 are closed when the body is coiled together, for example prior to the provision in a guiding catheter system, and upon release into its site of destination, upon expansion, these micropores 18 open so that the substances inside the metal arms of the cage can be released.
- 20 According to another embodiment of the implant 1, a portion of which is schematically represented in figure 8, the body 2 is covered by a thermoactive coating 19 which is only activated upon temperatures above 35°C so that the body temperature would trigger activation.
- 25 Alternatively, a thermoactive coating 19 can be provided which is only activated upon temperatures above 45°C so that an external application of an energy field would trigger activation.
- 30 Alternatively, an insulating material 44 can be provided at the parts of the implant which comes into contact with parts of the body which are preferably not heated such as some parts of the vessel wall or the blood. Hereby the parts of the implant which are heated are thermally insulated from e.g. the blood.
- 35 The energy field could for example be a remote applied alternating magnetic field, heating the body 2 of the implant 1 thanks to a hysteresis effect.

At the said activation temperature, the coating 19 gets absorbed, and the active component that is residing below the coating 20 is released into the vascular wall.

5 Note that the elongated shape and/or the expanding forces provide can be considered as anchoring means of the implant 1.

10 Alternatively, hooks or barbs or the like 29 can be provided as in figure 11 on the outwardly directed portions of the implant 1, providing guaranteed anchoring of the implant 1 once it put in place.

15 According to still another embodiment, the outer rings or other cage structures that are fitted into the antrum, or the whole cage may be equipped with structures to increase the solidity of cage immobility, to ascertain the fixed position of the implant, to reduce the possibility of movement of the implant after the implantation.

The method of placing the implant is easy and can be performed as hereafter described.

20 According to the known practices, a catheter 30 with guidewire 31 is introduced up till the place where the implant 1 is to be left. This is shown schematically in figures 12 and 13.

25 Pull-back of the catheter while leaving the implant 1 in position causes the implant 1 to expand.

As the shape and/or elastic characteristics of the implant 1 is/are suitably adapted to fit and optionally press against the arterial or venous structure, for example in the pulmonary vein, the implant 1 is left in a safe and self-anchoring manner.

30 After full pullback of the catheter, the implant 1 is fully released.

Alternatively, the well-known balloon expansion can be applied.

35 An appropriate period can be awaited prior to applying an external energy field in order to trigger the triggerable portions of the implant 1.

Various consecutive treatments by simply applying an appropriate energy field can be considered, without the need to perform renewed invasive surgery, which is the main advantage of the implant and the system according to the present invention.

- 5 Furthermore, in case where the implant 1 is provided of varying substructures, each with their own response to an externally applied energy field, varying treatments can be considered, for example with increasing intensity.

10 Each portion can for example be triggered with a remote applied alternating magnetic field characterized with a specific frequency.

It is clear that when reference is made to lesions, these may concern transmural lesions extending up till the exterior wall, and that lesions may be continuous, as opposed to discrete or composed partial lesions. In fact, when the invention disclosed  
15 in this text is used for the treatment of AF by PVI, it is preferable that the lesions are continuous and thus form a substantially circumferential band around the vessel's wall, thereby electrically isolating the PV(s) from the left atrium.

20 The present invention is by no means limited to the embodiments described by way of example and represented in the accompanying drawings; on the contrary, such an implant and system of an implant and excitation device for the treatment of arterial and venous structures according to the invention can be made in all sorts of shapes and dimensions while still remaining within the scope of the invention.

25 Figure 9 shows a circular braided implant 21 in which one circumferential region 22 comprises an alloy with a specific Curie temperature and in which a second circumferential region 23 comprises an alloy with another specific Curie temperature.

30 Figure 10 shows a funnel-shaped braided implant 24 in which one circumferential region 25 comprises an alloy with a specific Curie temperature, in which a second circumferential region 26 comprises an alloy with another specific Curie temperature, and in which a third circumferential region 27 comprises an alloy with still another specific Curie temperature.

35 Figure 11 shows a funnel-shaped braided implant 28 with anchoring means 29 in the form of small barbs.

36

Figure 13 shows how the catheter 30 can be guided through the insertion vein 34, through the right atrium 36, through a hole to the left atrium 35 to the pulmonary vein 37. In detail, the ostium 38 and antrum 39 of the PV is indicated.

- 5 Figure 14 represents an embodiment of the external energy-providing means 42 as it can be used for treating a patient during the ablation procedure 43.

Figure 15 shows an implant in place 40 and the ablation region in cross section 41 in the antrum of the PV.

10

Figure 18 shows another embodiment of an implant which has an hour-glass shape 45, whereby near the middle region, where the diameter becomes smaller, a set of heating rings 46 is attached around the hour-glass shaped part of the implant. The heating rings are attached to the hour-glass shaped part in a thermally insulating  
15 manner such that little heat is transferred to the blood stream when the heating rings are heated. Furthermore the heating rings are meant to be completely separated from this blood stream, since the hour-glass shaped part may be covered by a blood-tight tissue and may be clamped into the vessel at or near the implant ends 47 and 48.

- 20 It is supposed that the present invention is not restricted to any form of realization described previously and that some modifications can be added to the presented example of fabrication without reappraisal of the appended claims. For example, the present invention has been described referring to PVs, but it is clear that the invention can be applied to other vessels for instance.

25

**CLAIMS**

- 5 1. System for ablation of at least a part of a vessel's wall from the inside,  
comprised of
- a self-expanding implant device, adapted to be implanted and deployed  
within said vessel; whereby said implant comprises an ablation region along  
at least a portion of its length, said ablation region being adapted for  
10 surface contact with said vessel and said ablation region subtending at least  
a substantially complete circumferential band and being effective to ablate  
a signal-blocking path within said vessel upon application of energy to the  
implant;
  - external energy-providing means, which are spatially separated from the  
15 implant device and able to provide energy to the implant device for  
increasing the temperature of the ablation region of the implant device up  
to an ablation temperature.
- 20 2. System according to claim 1 comprising more than one implant device, each of  
which adapted to be implanted and deployed within one or more vessels.
3. System according to any of claims 1 to 2, whereby the one or more implant  
devices are adapted to be implanted and deployed within one or more  
pulmonary veins.
- 25 4. System according to any of claims 1 to 3, whereby the one or more implant  
devices comprise a proximal portion having a first diameter and a distal portion  
having a second diameter that is less than the first diameter and that is  
sufficient to enable said implants to seat within one or more vessels.
- 30 5. System according to any of claims 1 to 4, whereby at least part of the one or  
more implant devices is made from at least one material which shows magnetic  
hysteresis, such as a ferromagnetic, ferrimagnetic or anti-ferromagnetic  
material.
- 35 6. System according to any of claims 1 to 5, whereby the external energy-  
providing means create a time-varying magnetic field at the position of the one  
or more implant devices.

7. System according to claim 6, whereby the time-varying magnetic field is created by an external electric coil through which a time-varying electrical current is sent.
- 5
8. System according any of claims 1 to 7, comprising
- a sheath suitable for transporting and delivering the one or more implant devices to or near the desired position in the one or more vessels;
  - a guidewire suitable for sequentially guiding the sheath with the one or
- 10 more implants to the desired position in the one or more vessels.
9. A self-expanding implant device adapted to be implanted and deployed within a vessel; said implant comprising an ablation region along at least a portion of its length, the ablation region being adapted for surface contact with the vessel
- 15 and the ablation region subtending at least a substantially complete circumferential band and being effective to ablate a signal-blocking path within the vessel upon application of energy to the implant; whereby said ablation region comprises at least one material which shows magnetic hysteresis, such as a ferromagnetic, ferrimagnetic or anti-ferromagnetic material.
- 20
10. An implant device according to claim 9, whereby said implant device is adapted to be implanted and deployed within a pulmonary vein.
11. An implant device according to any of claims 9 to 10, whereby parts of said
- 25 implant device are made from more than one material showing magnetic hysteresis and which have different Curie or Néel temperatures.
12. An implant device according to any of claims 9 to 11, whereby said implant device is suitable for long-term implantation.
- 30
13. An implant device according to any of claims 9 to 12, whereby said implant device is a bio-resorbable implant device or an implant that disappears, e.g. by evaporation, after one or more ablation procedures.
- 35
14. An implant device according to any of claims 9 to 13, whereby said implant device comprises a proximal portion having a first diameter and a distal portion having a second diameter that is less than the first diameter and that is sufficient to enable said implant device to seat within a vessel.

15. An implant device according to any of claims 9 to 14, whereby said implant device comprises anchoring means at or near the proximal portion of said implant device, said anchoring means being suitable for keeping the device at or near the same position compared to the vessel's inner wall.
- 5
16. An implant device according to any of claims 9 to 15, whereby the part of said implant device which can come into contact with the patient's blood when said implant device is implanted, is thermally isolated from the rest of the implant device such that the blood is not heated or overheated during the excitation of the implant device.
- 10
17. An implant device according to any of claims 9 to 16, whereby said implant device comprises a core region of material with a certain Curie temperature, surrounded by other material with thermal and/or elastic properties suitable for the implant device's purpose.
- 15
18. An implant device according to any of claims 9 to 17, whereby said implant device comprises cavities which are filled with one or more substances and which open when the implant is heated.
- 20
19. An implant device according to claim 18, whereby said substances are mixed before being released into the patient's body or vessel wall, e.g. to deliver a two-component neurotoxin.
- 25
20. An implant device according to any of claims 18 to 19, whereby said substances are a selection or a composition of one or more of the following substances:
- ethanol;
  - tetrodotoxin and batrachotoxin;
  - 30 - maurotoxin, agitoxin, charybdotoxin, margatoxin, slotoxin, scyllatoxin or hefutoxin;
  - calciseptine, taicatoxin, calciclude, or PhTx3;
  - botulinum toxin;
  - cytochalasin D, rapamycin, sirolimus, zotarolimus, everolimus,
  - 35 paclitaxel;
  - glutamate;
  - isoquinoline;
  - N-methyl-(R)-salsolinol;
  - Beta-carboline derivatives.



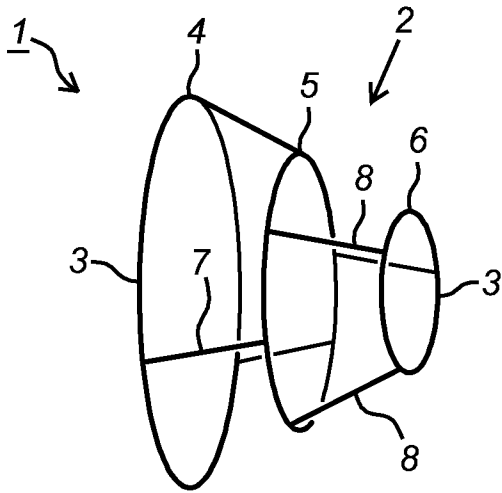
21. Method for the treatment of a patient with atrial fibrillation by pulmonary vein isolation via ablation of a substantially complete circumferential band on one or more pulmonary veins' inner walls, comprising the steps of:
- 5
- implanting one or more implant devices in one or more pulmonary veins by means of a sheath and a guidewire, said implant devices each comprising an ablation region along at least a portion of their length, said ablation regions being adapted for surface contact with said pulmonary veins and

10

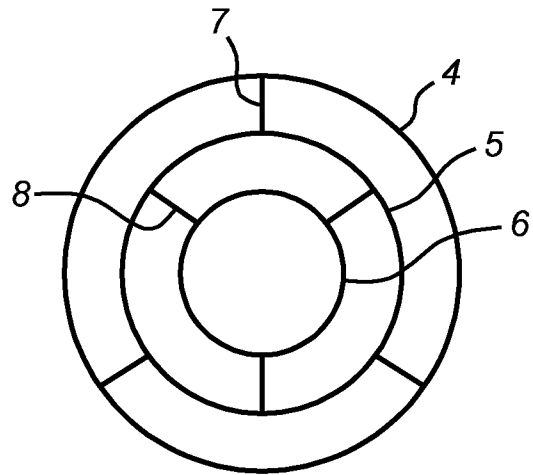
  - said ablation regions subtending at least a substantially complete circumferential band and being effective to ablate a signal-blocking path within said pulmonary veins upon application of energy to said implant devices;
  - retracting the sheath and guidewire;

15

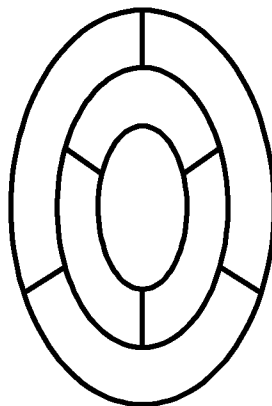
  - subsequently heating the ablation region of the one or more implant devices by external energy-providing means, which are spatially separated from the implant device.
22. Method according to claim 21, whereby a recovery period is observed prior to
- 20
- heating the ablation region of the one or more implant devices by external energy-providing means.
23. Method according to any of claims 21 to 22, whereby the recovery period is long enough to allow the one or more implant devices to be incorporated into
- 25
- the vessel's wall or endothelialized.
24. Method according to any of claims 21 to 23, whereby the step of heating the ablation region of the one or more implant devices by external energy-providing means, which are spatially separated from the implant device, is
- 30
- performed repeatedly at well-spaced time-intervals.
25. Method according to any of claims 21 to 24, whereby the one or more implant devices are according to any of claims 9 to 20.
- 35
26. Method according to any of claims 21 to 25, whereby use is made of the system according to any of claims 1 to 8.



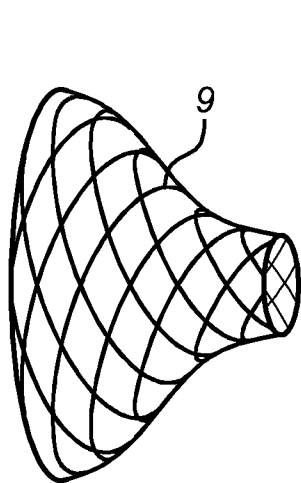
*Fig. 1a*



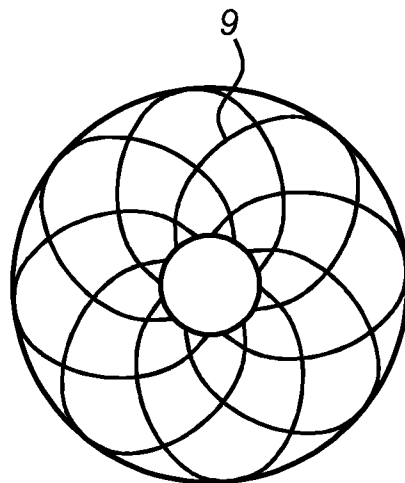
*Fig. 1b*



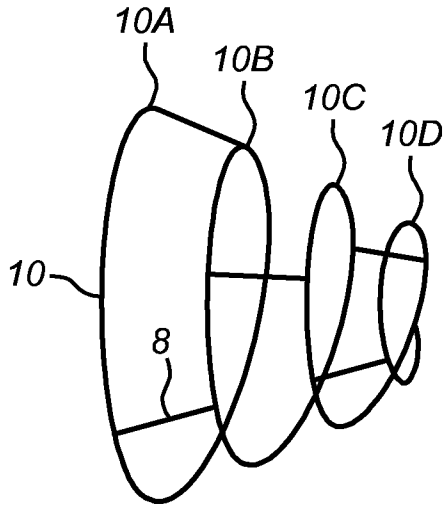
*Fig. 1c*



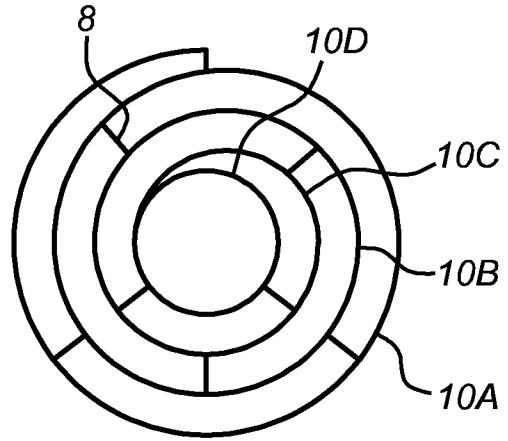
*Fig. 2a*



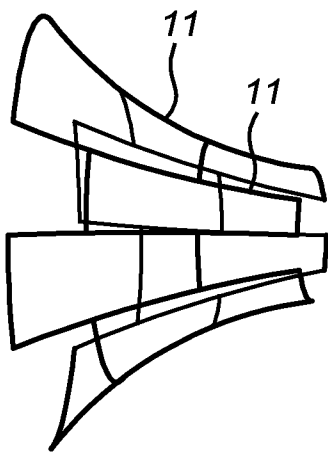
*Fig. 2b*



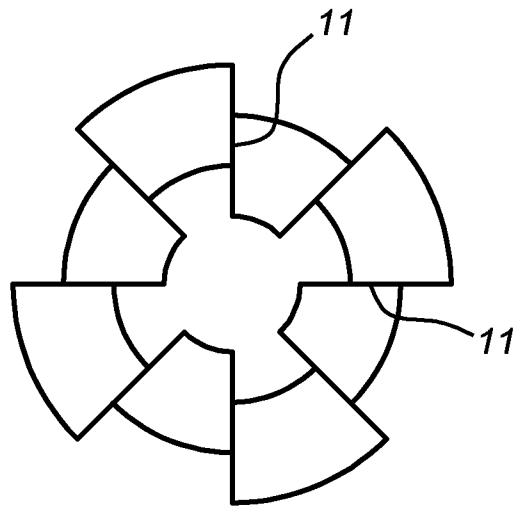
*Fig. 3a*



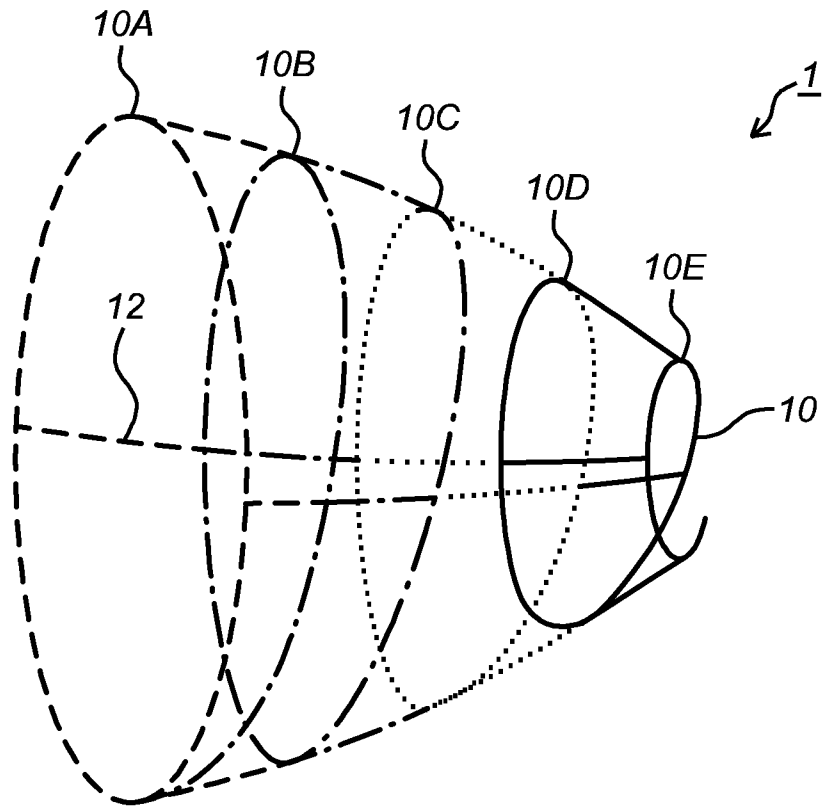
*Fig. 3b*



*Fig. 4a*

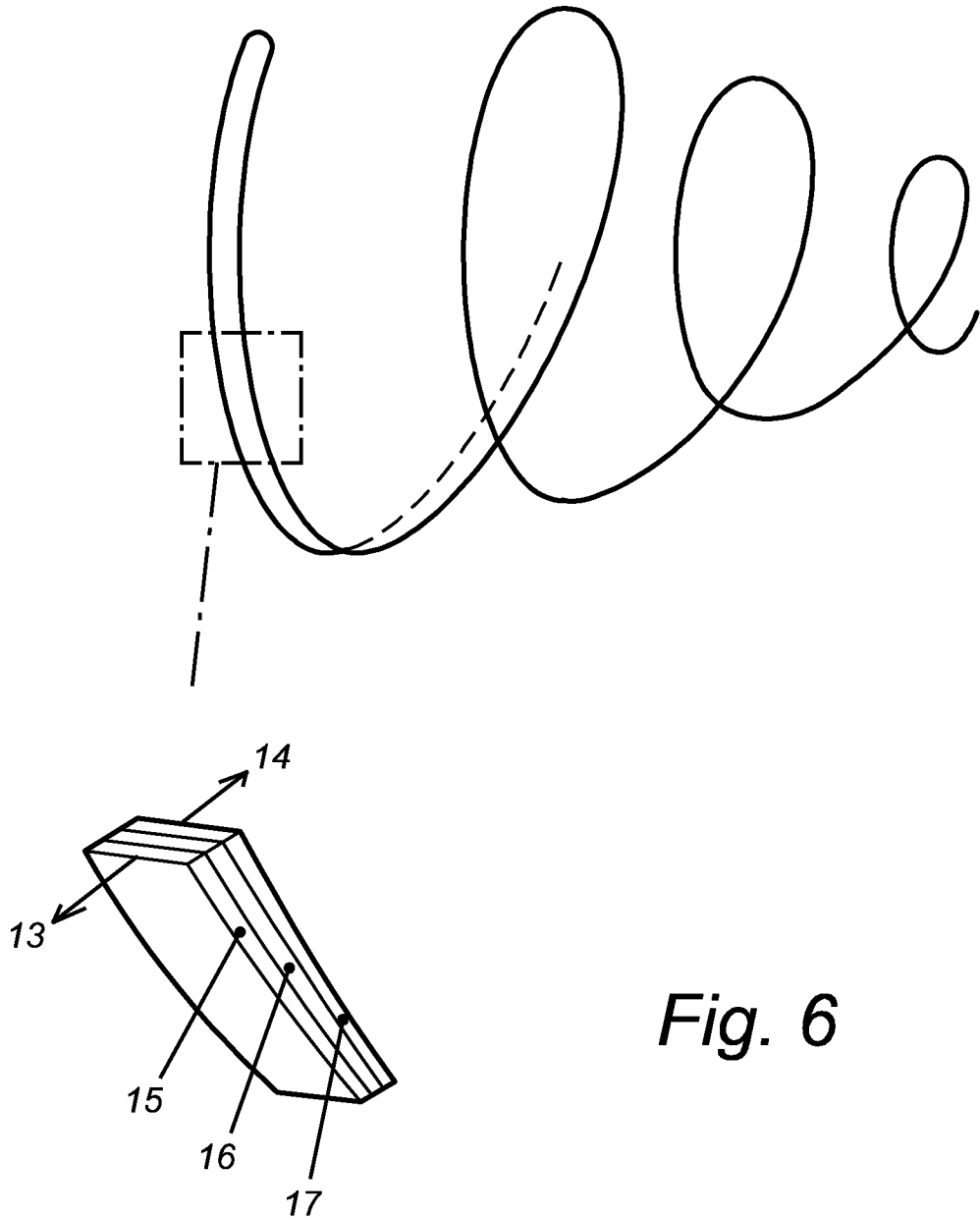


*Fig. 4b*

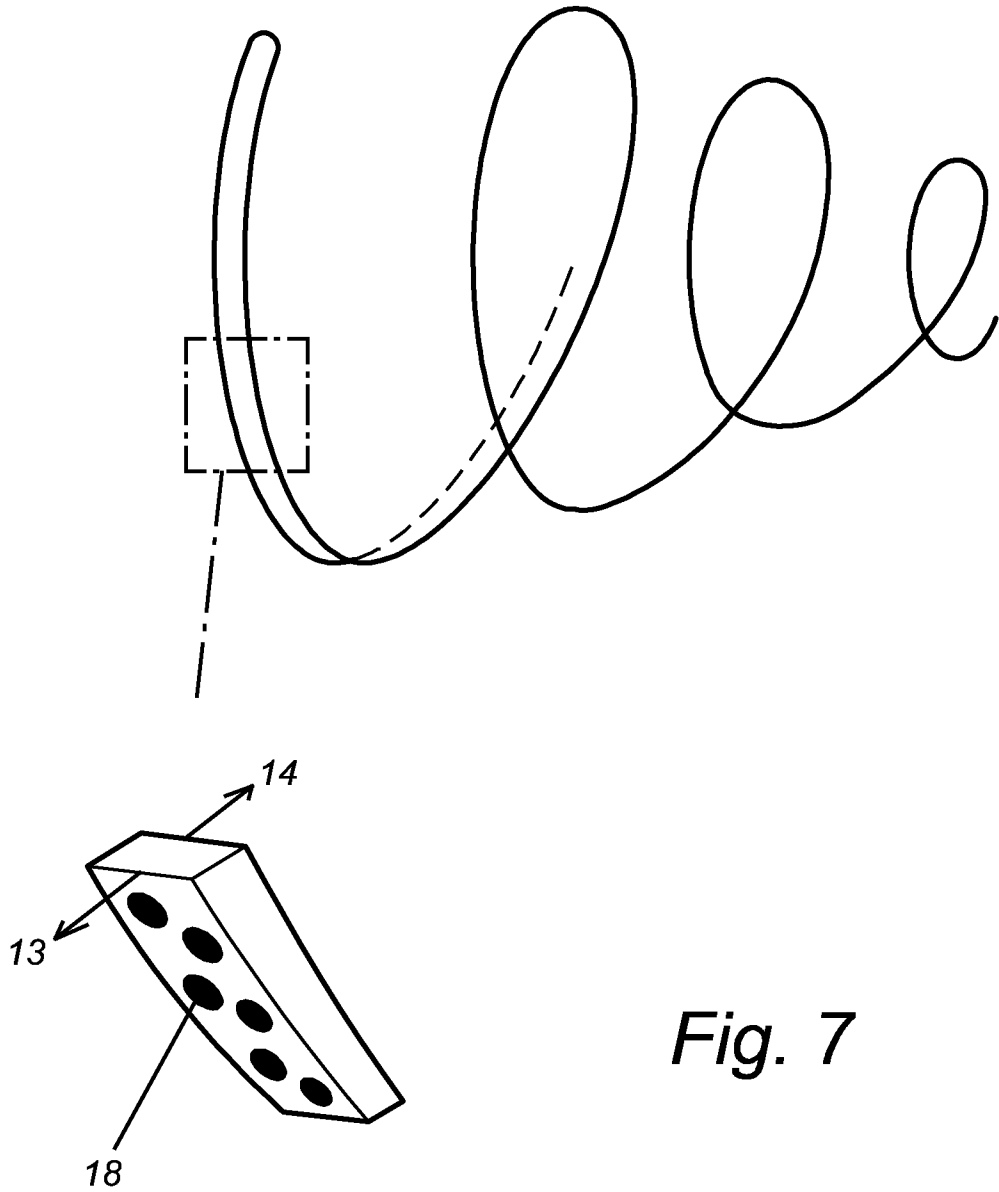


- 100
- · - · - 200
- ..... 300
- 400

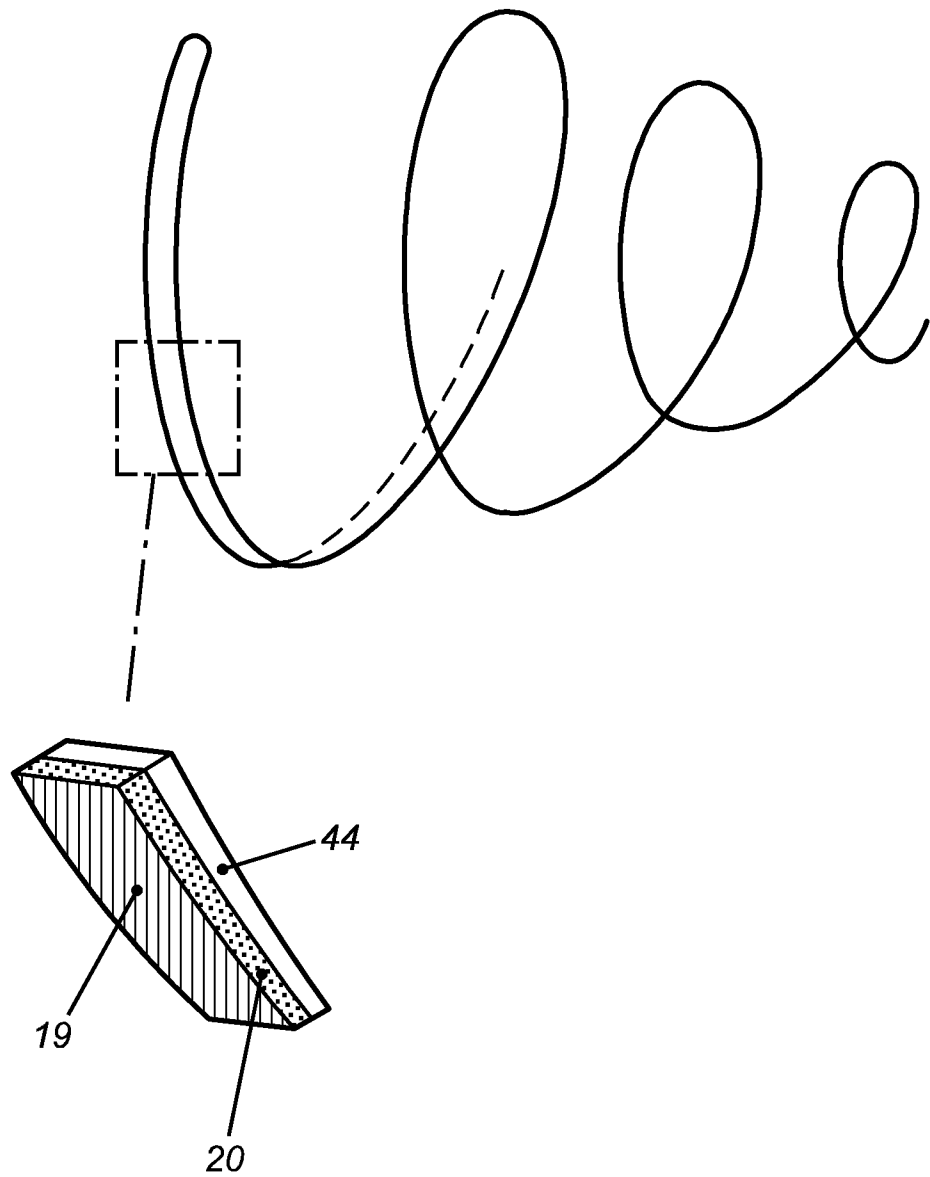
*Fig. 5*



*Fig. 6*



*Fig. 7*



*Fig. 8*

7/12

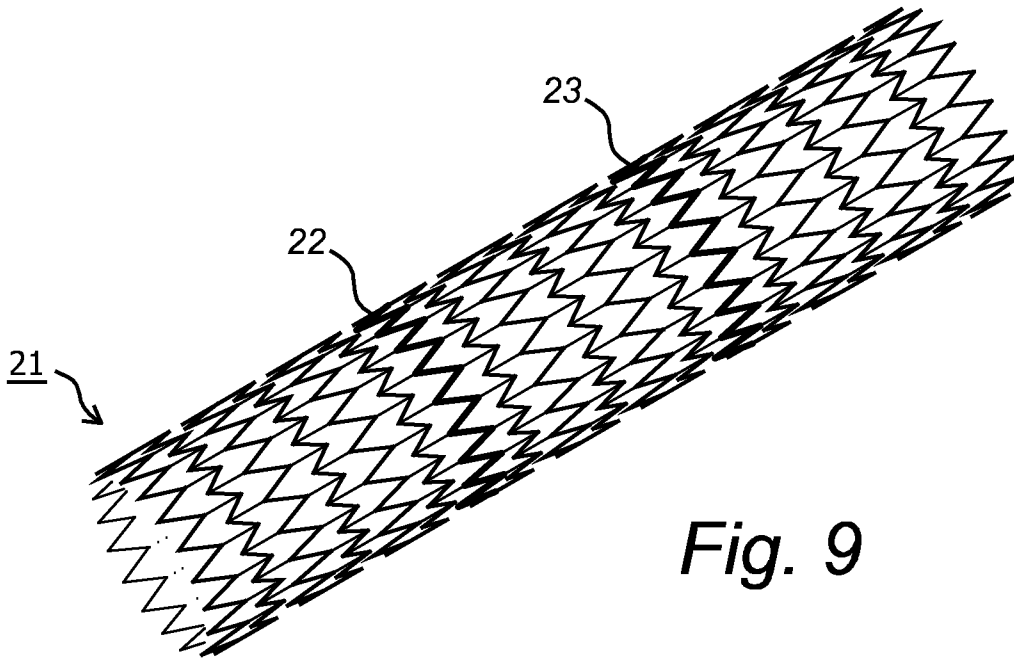


Fig. 9

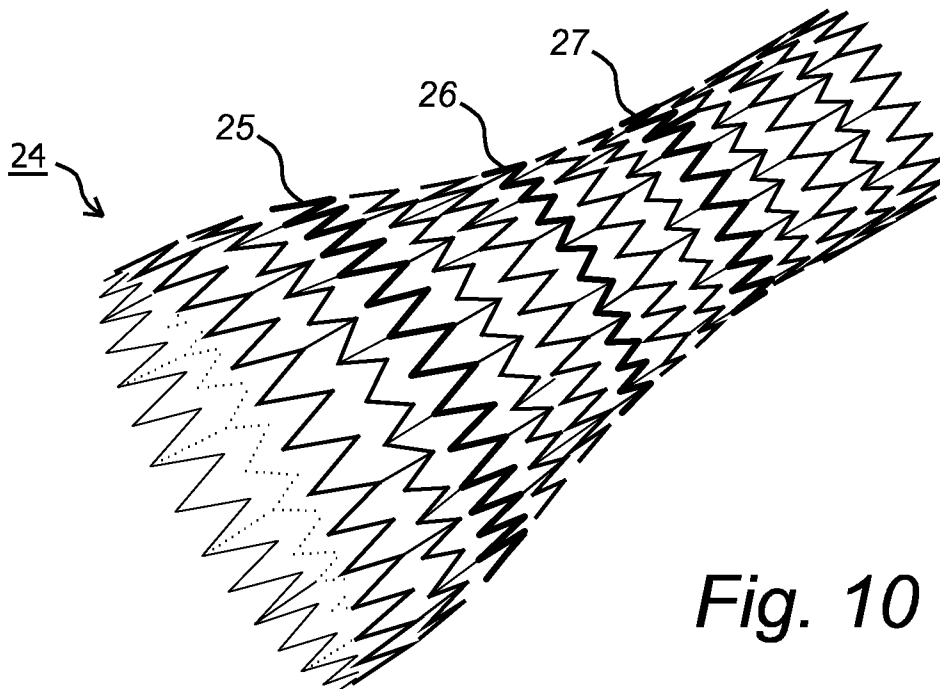


Fig. 10



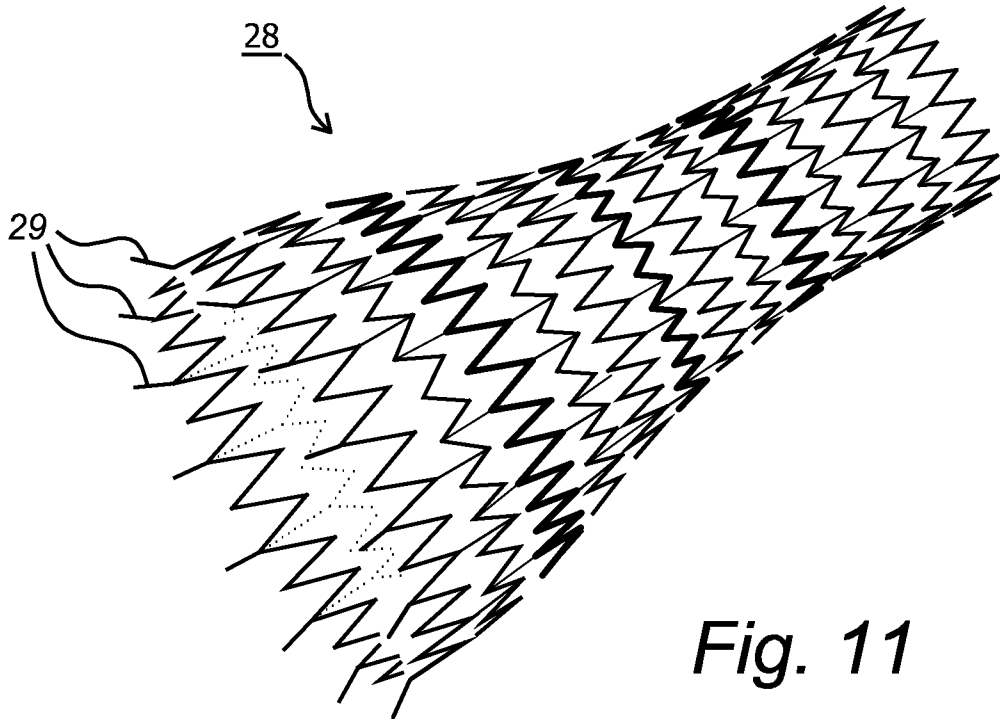


Fig. 11

9/12

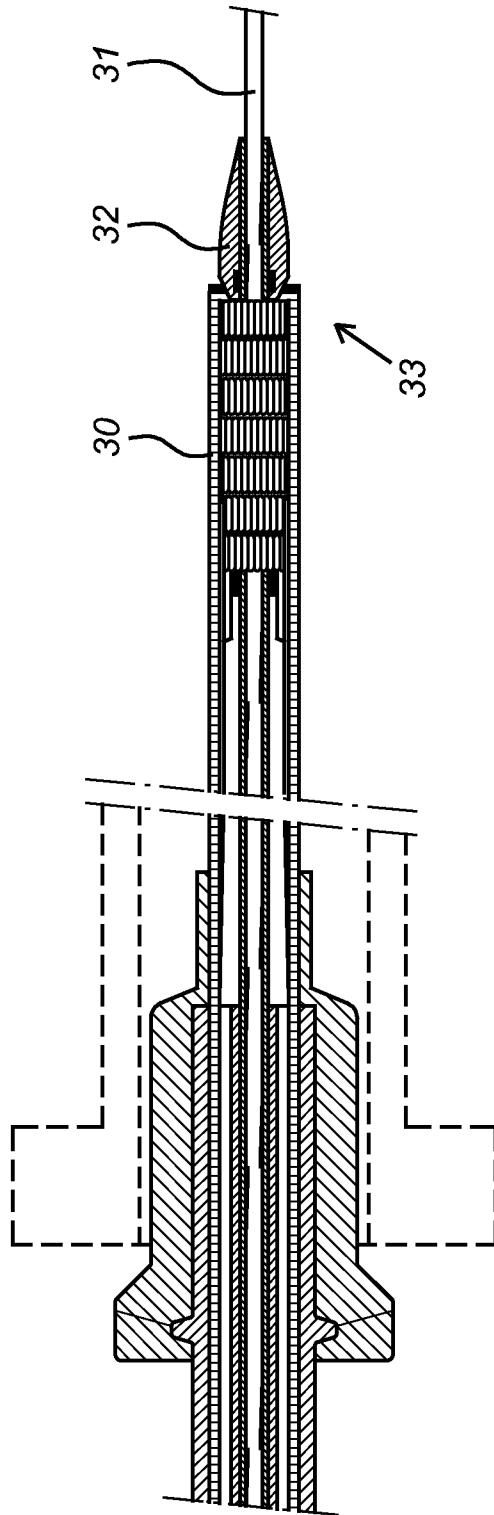
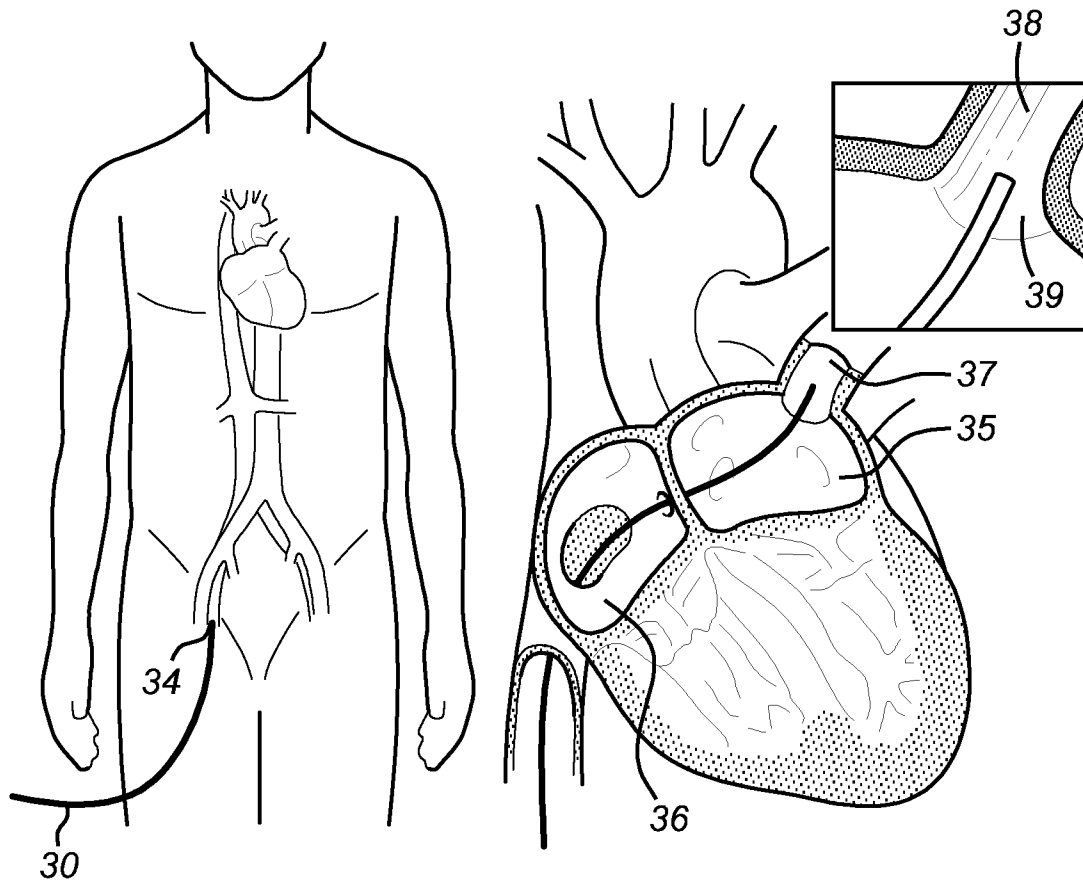
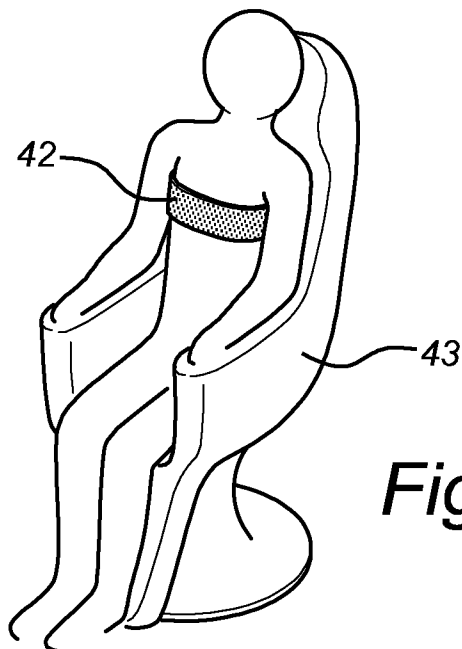


Fig. 12

10/12



**Fig. 13**



**Fig. 14**

Fig. 15

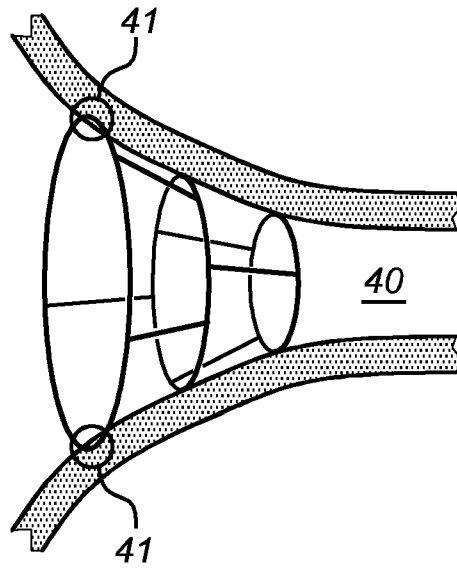
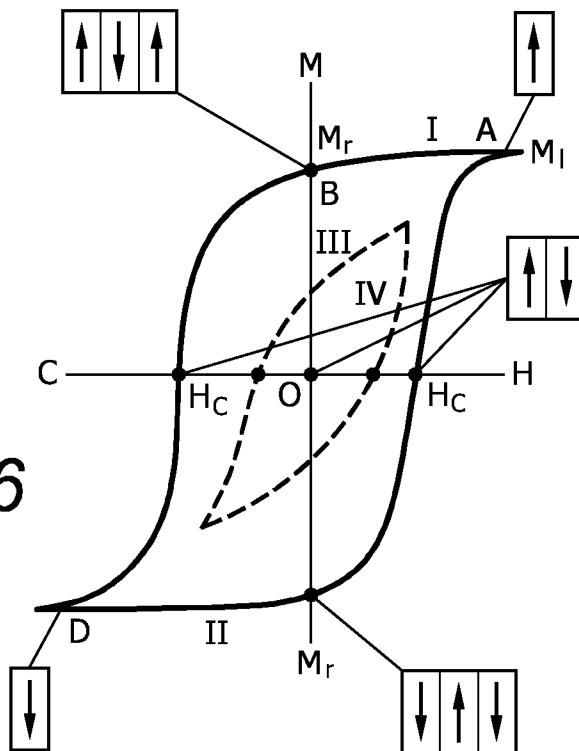
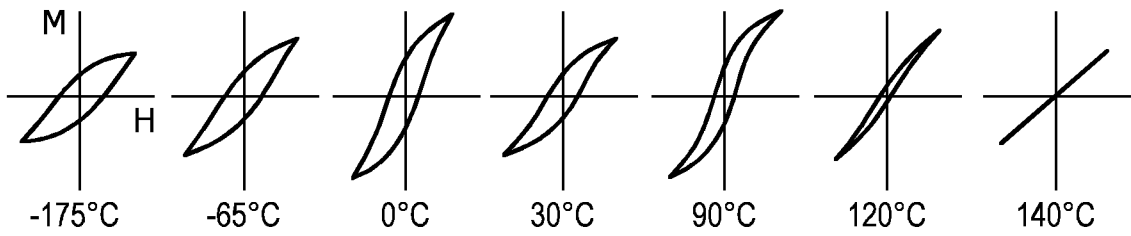


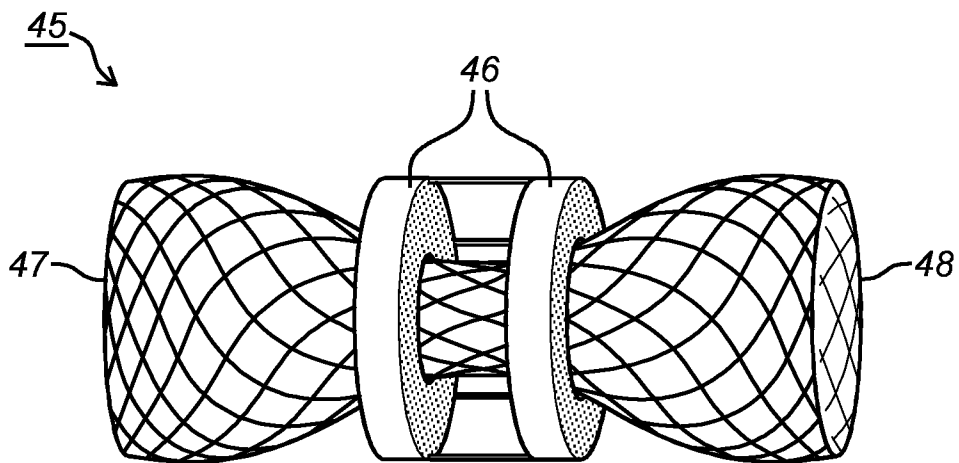
Fig. 16



12/12



*Fig. 17*



*Fig. 18*

# INTERNATIONAL SEARCH REPORT

International application No.  
PCT/EP2011/058587

## Box No. II Observations where certain claims were found unsearchable (Continuation of item 2 of first sheet)

This international search report has not been established in respect of certain claims under Article 17(2)(a) for the following reasons:

1.  Claims Nos.: 21-26  
because they relate to subject matter not required to be searched by this Authority, namely:  
Rule 39.1(iv) PCT - Method for treatment of the human or animal body by surgery
2.  Claims Nos.:  
because they relate to parts of the international application that do not comply with the prescribed requirements to such an extent that no meaningful international search can be carried out, specifically:
3.  Claims Nos.:  
because they are dependent claims and are not drafted in accordance with the second and third sentences of Rule 6.4(a).

## Box No. III Observations where unity of invention is lacking (Continuation of item 3 of first sheet)

This International Searching Authority found multiple inventions in this international application, as follows:

1.  As all required additional search fees were timely paid by the applicant, this international search report covers all searchable claims.
2.  As all searchable claims could be searched without effort justifying an additional fees, this Authority did not invite payment of additional fees.
3.  As only some of the required additional search fees were timely paid by the applicant, this international search report covers only those claims for which fees were paid, specifically claims Nos.:
4.  No required additional search fees were timely paid by the applicant. Consequently, this international search report is restricted to the invention first mentioned in the claims; it is covered by claims Nos.:

### Remark on Protest

- The additional search fees were accompanied by the applicant's protest and, where applicable, the payment of a protest fee.
- The additional search fees were accompanied by the applicant's protest but the applicable protest fee was not paid within the time limit specified in the invitation.
- No protest accompanied the payment of additional search fees.

INTERNATIONAL SEARCH REPORT

International application No  
PCT/EP2011/058587

**A. CLASSIFICATION OF SUBJECT MATTER**  
INV. A61N1/40  
ADD.

According to International Patent Classification (IPC) or to both national classification and IPC

**B. FIELDS SEARCHED**  
Minimum documentation searched (classification system followed by classification symbols)  
A61F A61N A61B

Documentation searched other than minimum documentation to the extent that such documents are included in the fields searched

Electronic data base consulted during the international search (name of data base and, where practical, search terms used)  
EPO-Internal

**C. DOCUMENTS CONSIDERED TO BE RELEVANT**

Category*	Citation of document, with indication, where appropriate, of the relevant passages	Relevant to claim No.
X Y	US 2005/021088 A1 (SCHULER PETER S [US] ET AL) 27 January 2005 (2005-01-27) paragraphs [0033], [0039], [0044], [0048], [0050], [0077], [0091]; figures 1,2	1-3,5-9, 12,13,15 18-20
X	----- US 2002/183829 A1 (DOSCHER CLAAS [DE] ET AL) 5 December 2002 (2002-12-05) paragraphs [0018], [0019], [0036]	1-3, 5-12,15
X Y	----- US 2008/319247 A1 (FORBES ZACHARY GRAHAM [US] ET AL) 25 December 2008 (2008-12-25) paragraphs [0019] - [0022], [0035]	1-3, 5-12,15, 17 4,14
	----- -/--	

Further documents are listed in the continuation of Box C.

See patent family annex.

\* Special categories of cited documents :

"A" document defining the general state of the art which is not considered to be of particular relevance

"E" earlier document but published on or after the international filing date

"L" document which may throw doubts on priority claim(s) or which is cited to establish the publication date of another citation or other special reason (as specified)

"O" document referring to an oral disclosure, use, exhibition or other means

"P" document published prior to the international filing date but later than the priority date claimed

"T" later document published after the international filing date or priority date and not in conflict with the application but cited to understand the principle or theory underlying the invention

"X" document of particular relevance; the claimed invention cannot be considered novel or cannot be considered to involve an inventive step when the document is taken alone

"Y" document of particular relevance; the claimed invention cannot be considered to involve an inventive step when the document is combined with one or more other such documents, such combination being obvious to a person skilled in the art.

"&" document member of the same patent family

Date of the actual completion of the international search  6 December 2011	Date of mailing of the international search report  13/12/2011
Name and mailing address of the ISA/ European Patent Office, P.B. 5818 Patentlaan 2 NL - 2280 HV Rijswijk Tel. (+31-70) 340-2040, Fax: (+31-70) 340-3016	Authorized officer  Mayer-Martenson, E

## INTERNATIONAL SEARCH REPORT

International application No  
PCT/EP2011/058587

C(Continuation). DOCUMENTS CONSIDERED TO BE RELEVANT		
Category*	Citation of document, with indication, where appropriate, of the relevant passages	Relevant to claim No.
X	US 2003/139739 A1 (DOSCHER CLAAS [DE] ET AL DOESCHER CLAAS [DE] ET AL) 24 July 2003 (2003-07-24) paragraphs [0040], [0041], [0102] - [0108] -----	1-3, 5-10,12, 15-17
Y	US 2005/222563 A1 (MCDANIEL BENJAMIN D [US] ET AL) 6 October 2005 (2005-10-06) figure 4 -----	4,14
Y	WO 2007/120742 A2 (SEARETE LLC [US]; WOOD LOWELL L [US]; SWEENEY ELIZABETH A [US]; WOOD V) 25 October 2007 (2007-10-25) page 13, paragraph 2 - page 15, paragraph 4 -----	18-20
A	US 2004/167506 A1 (CHEN JOHN J [US]) 26 August 2004 (2004-08-26) abstract -----	1,9



# INTERNATIONAL SEARCH REPORT

Information on patent family members

International application No PCT/EP2011/058587
---

Patent document cited in search report	Publication date	Patent family member(s)	Publication date
US 2005021088	A1	27-01-2005	NONE
US 2002183829	A1	05-12-2002	DE 10113659 A1 10-10-2002 US 2002183829 A1 05-12-2002
US 2008319247	A1	25-12-2008	NONE
US 2003139739	A1	24-07-2003	AU 2003209202 A1 30-07-2003 US 2003139739 A1 24-07-2003 WO 03059447 A1 24-07-2003
US 2005222563	A1	06-10-2005	NONE
WO 2007120742	A2	25-10-2007	NONE
US 2004167506	A1	26-08-2004	CA 2516761 A1 10-09-2004 EP 1644171 A2 12-04-2006 US 2004167506 A1 26-08-2004 WO 2004076146 A2 10-09-2004