



US00D675937S

(12) **United States Design Patent**
Stern

(10) **Patent No.:** **US D675,937 S**

(45) **Date of Patent:** **** Feb. 12, 2013**

(54) **MULTI-SERVING PACKET**

(75) Inventor: **Manny Stern**, Putnam Valley, NY (US)

(73) Assignee: **Premama, Inc.**, Providence, RI (US)

(**) Term: **14 Years**

(21) Appl. No.: **29/418,118**

(22) Filed: **Apr. 12, 2012**

(51) **LOC (9) Cl.** **09-05**

(52) **U.S. Cl.** **D9/707**

(58) **Field of Classification Search** D9/702-714,
D9/720-722, 414-416, 737, 643, 648, 430-433,
D9/419, 424, 695-699, 761; 426/106, 120,
426/122, 115, 119, 108, 112; 222/92, 107,
222/215, 527; 383/61.1, 113, 78, 84, 108,
383/207, 38, 63, 114, 210, 200, 209, 37,
383/906; 219/727; D3/202, 203.1, 303;
206/811, 256, 271-273, 438, 527, 290, 449,
206/812, 484, 820, 461, 258, 260, 526; D24/118,
D24/207, 104; 229/87.01-87.09, 87.11-87.19;
D27/183, 185-191; D1/121, 125, 127-128,
D1/199

See application file for complete search history.

(56) **References Cited**

U.S. PATENT DOCUMENTS

1,413,064 A * 4/1922 Salfisberg 206/538
2,343,064 A * 2/1944 Kjorsvik 225/106

D205,965 S * 10/1966 Loesser D9/696
D567,647 S * 4/2008 Reda D9/707
D580,784 S * 11/2008 Kila D9/709
D592,376 S * 5/2009 Wilson et al. D1/127
D602,376 S * 10/2009 Coulson D9/707
D619,478 S * 7/2010 Drewnowski et al. D9/707
D620,372 S * 7/2010 Latour D9/702
D643,745 S * 8/2011 Hartley D9/707

* cited by examiner

Primary Examiner — Caron D Veynar

Assistant Examiner — Abraham Bahta

(74) *Attorney, Agent, or Firm* — Potter Anderson Corroon
LLP; Rakesh H. Mehta, Esq.

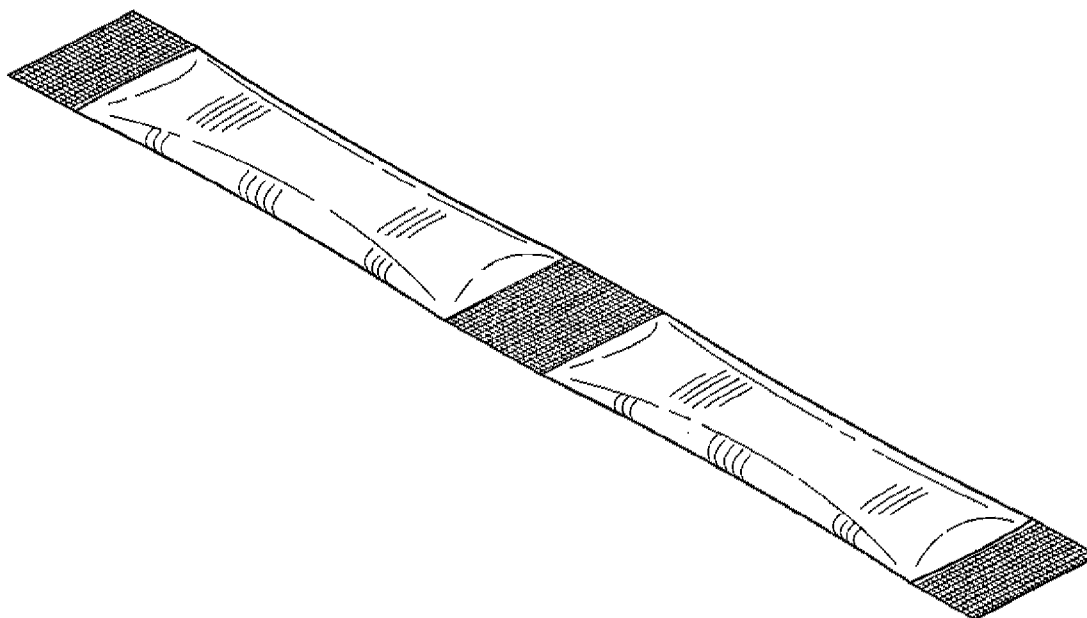
(57) **CLAIM**

The ornamental design for a multi-serving packet, as shown
and described.

DESCRIPTION

FIG. 1 is a top perspective view of a multi-serving packet;
FIG. 2 is bottom perspective view of the multi-serving packet;
FIG. 3 is a front view of the multi-serving packet;
FIG. 4 is a left side view of the multi-serving packet;
FIG. 5 is a rear view of the multi-serving packet;
FIG. 6 is a right side view of the multi-serving packet;
FIG. 7 is a top plan view of the multi-serving packet; and,
FIG. 8 is a bottom plan view of the multi-serving packet.

1 Claim, 2 Drawing Sheets



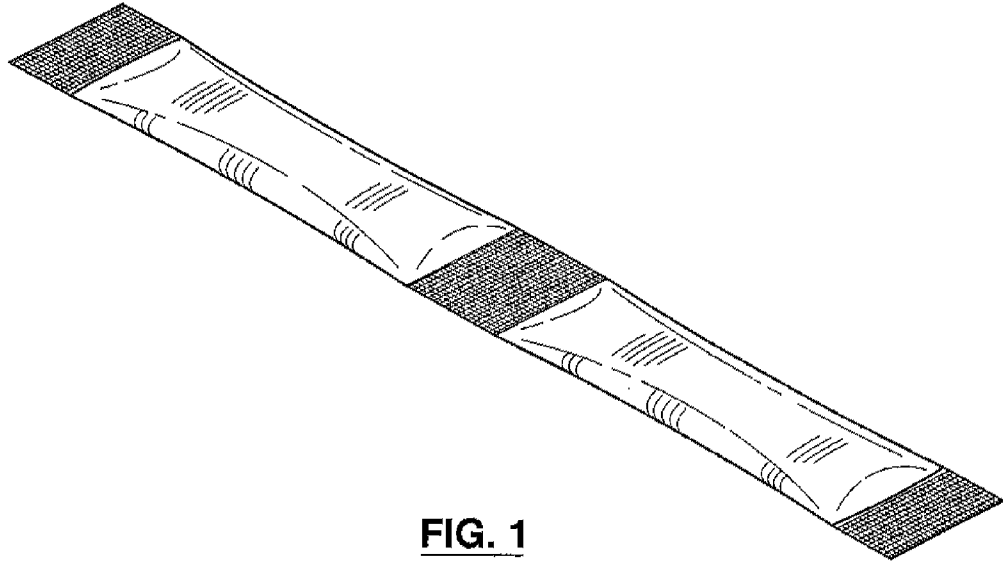


FIG. 1

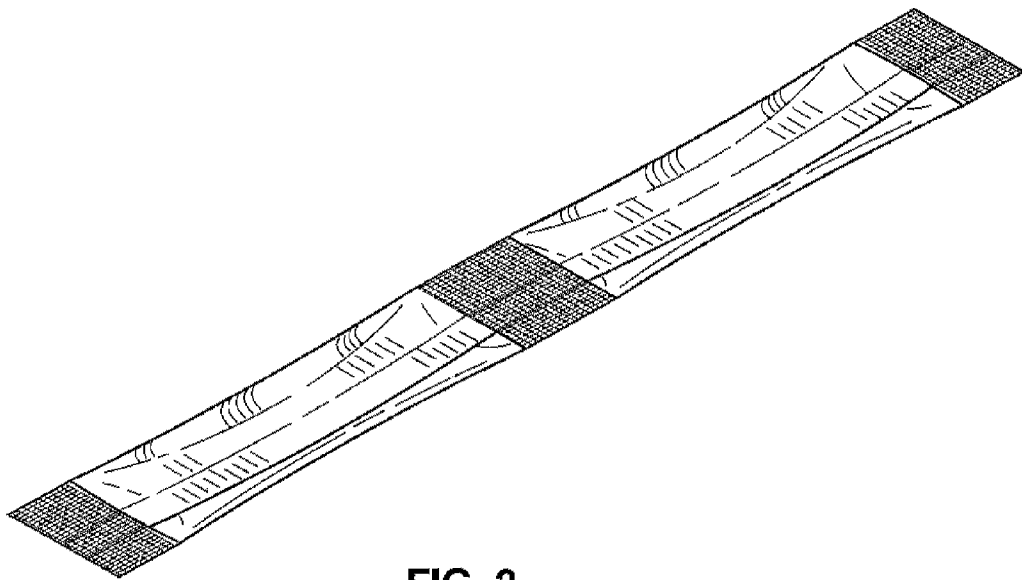


FIG. 2



FIG. 3

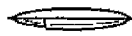


FIG. 4

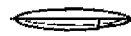


FIG. 6

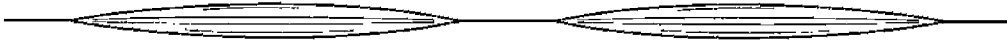


FIG. 5

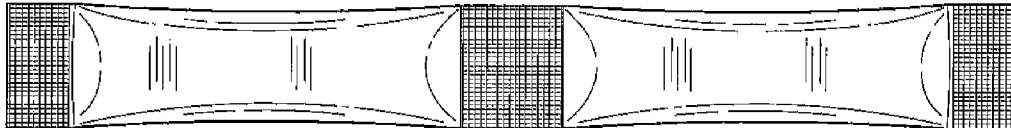


FIG. 7

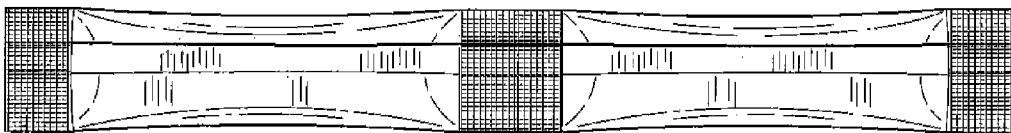


FIG. 8