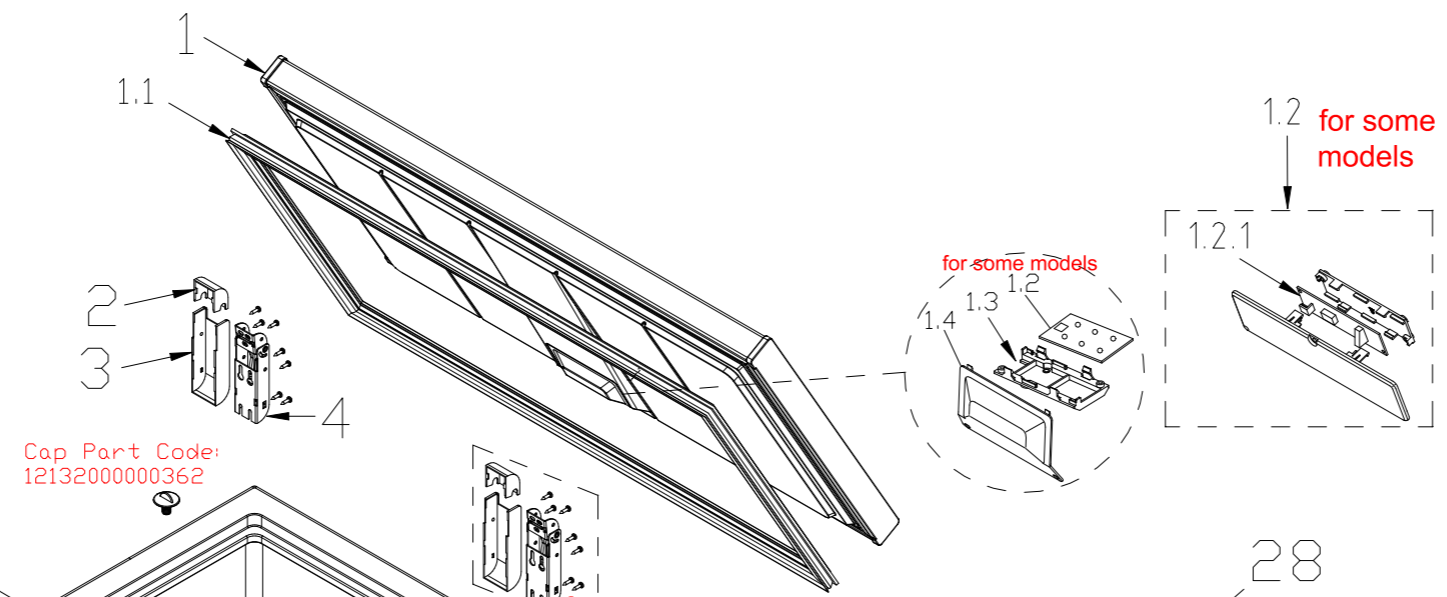
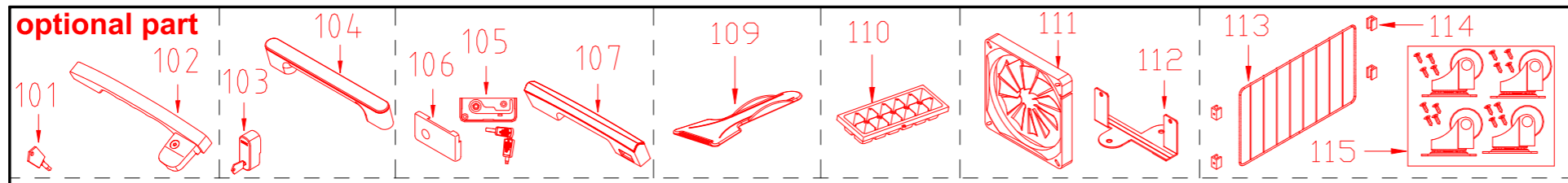


optional part



Cap Part Code:
12132000000362

