

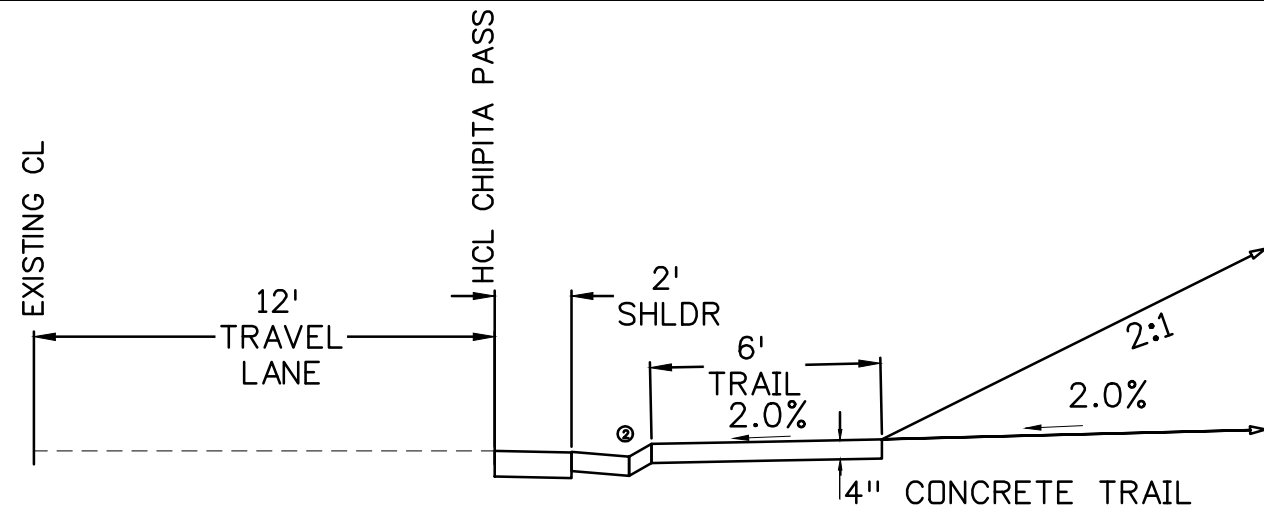
NOTES:
 1. TRAIL BETWEEN STA. 1+25 TO 6+26 UTILIZES ABANDONED ROADWAY

Print Date: 06/29/2018	0000
File Name:	
Horiz. Scale: Vert. Scale:	
Unit Information Unit Leader Initials	
Michael Baker INTERNATIONAL <small>MICHAEL BAKER INTERNATIONAL, INC. 165 S. UNION BLVD., STE. 1000 LAKEWOOD, CO 80228 720.514.1100</small>	

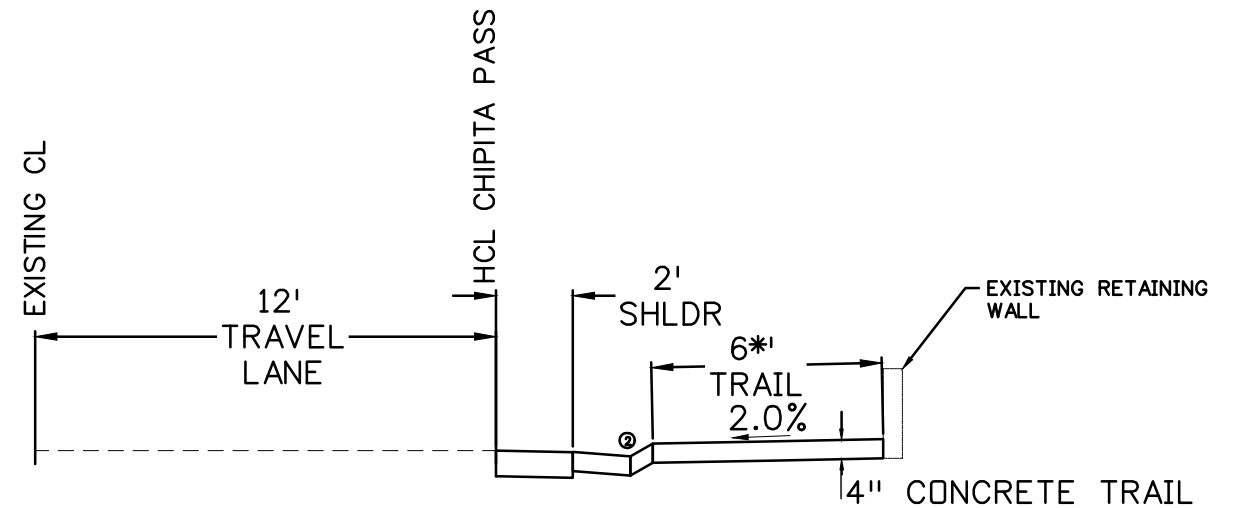
Sheet Revisions		
Date:	Comments	Init.



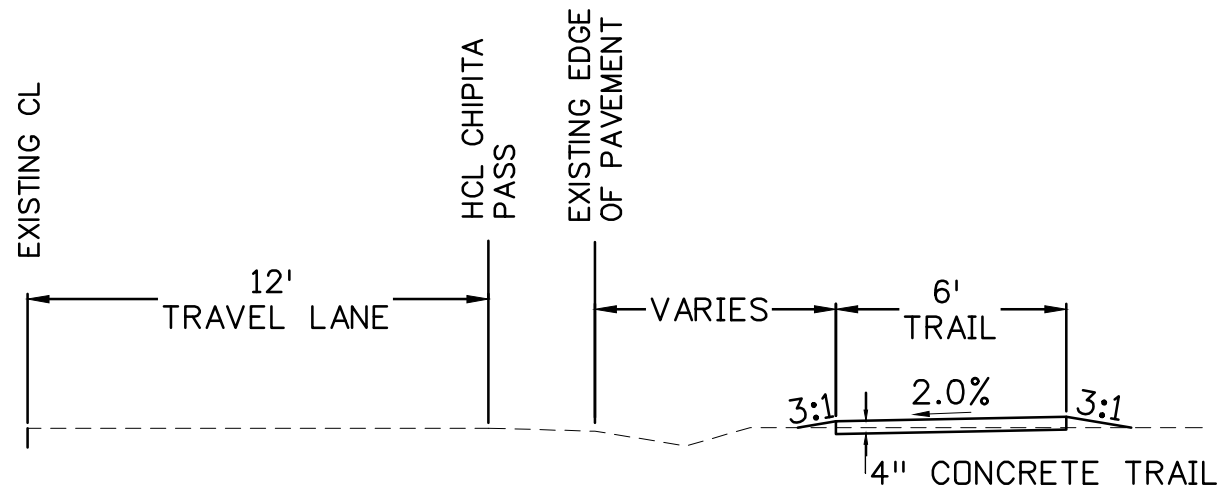
As-Constructed		UTE PASS REGIONAL TRAIL		Project No./Code
No Revisions:		Designer:	Structure Numbers	
Revised:		Detailer:		
Void:		Sheet Subset:	Subset Sheets: 0F	Sheet Number



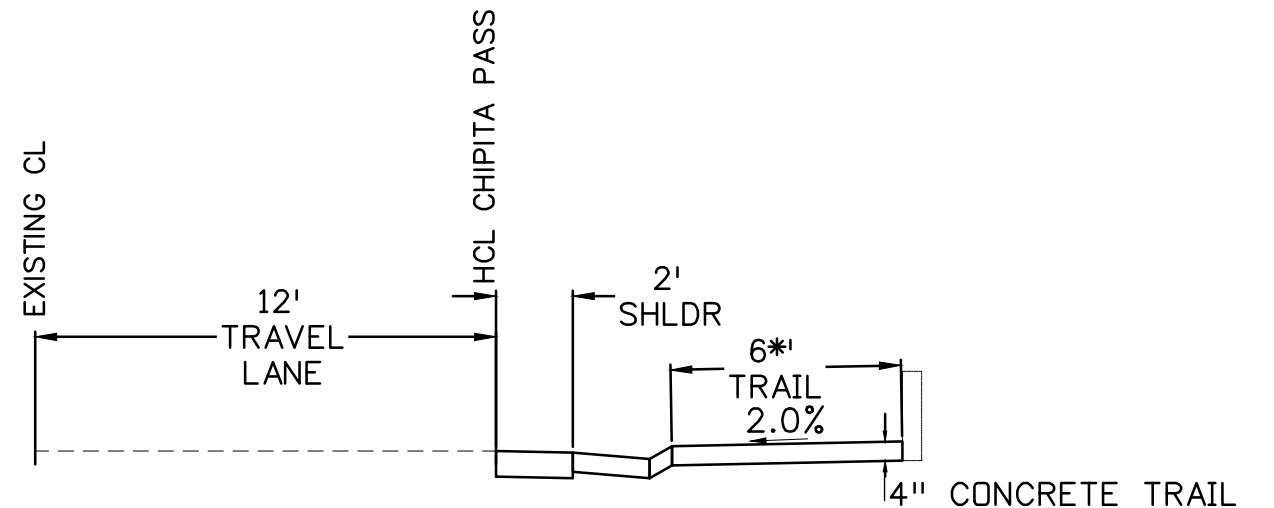
CHIPITA PARK ROAD-CARNIA RD TO WINNEMUCCA ROAD
 STA. 16+90.75 TO 17+38.14**
 STA. 18+01.99 TO 18+32.64**
 STA. 19+11.22 TO 19+36.98**
 STA. 20+48.82 TO 20+72.67**
 STA. 30+01.08 TO 30+21.07
 STA. 30+45.00 TO 30+71.86
 **NO SHOULDER IN THESE AREAS



CHIPITA PARK ROAD-CARNIA RD TO WINNEMUCCA ROAD
 STA. 16+32.58 TO 16+90.75**
 STA. 17+38.13 TO 18+01.99**
 STA. 18+32.64 TO 19+11.22**
 STA. 19+36.98 TO 20+48.82**
 STA. 20+72.67 TO 22+08.19**
 STA. 30+71.86 TO 32+23.74
 *TRAIL WIDTH VARIES BASED ON WALL LOCATION
 **NO SHOULDER IN THESE AREAS

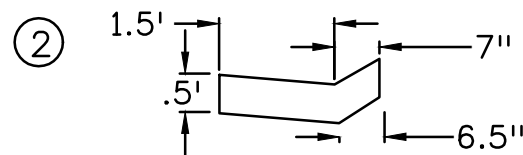


CHIPITA PARK ROAD - ADJACENT TO INLET
 STA. 29+01.23 TO 30+01.08



CURB AND GUTTER TYPE 2 (SECTION MS) (4 IN MOUNTABLE WITH SIDEWALK) CDOT DTL M-609-1 SHEET 1

CHIPITA PARK ROAD-CARNIA RD TO WINNEMUCCA ROAD
 STA. 27+24.65 TO 28+25.00
 *TRAIL WIDTH VARIES BASED ON WALL LOCATION



Print Date: 06/29/2018
 File Name:
 Horiz. Scale: Vert. Scale:
 Unit Information Unit Leader Initials
Michael Baker International
 MICHAEL BAKER INTERNATIONAL, INC.
 165 S. UNION BLVD., STE. 1000
 LAKEWOOD, CO 80228
 720.514.1100

0000

Sheet Revisions		
Date:	Comments	Init.



As-Constructed	UTE PASS REGIONAL TRAIL		Project No./Code
No Revisions:	Designer:	Structure Numbers	
Revised:	Detailer:		
Void:	Sheet Subset:	Subset Sheets: 0F	Sheet Number