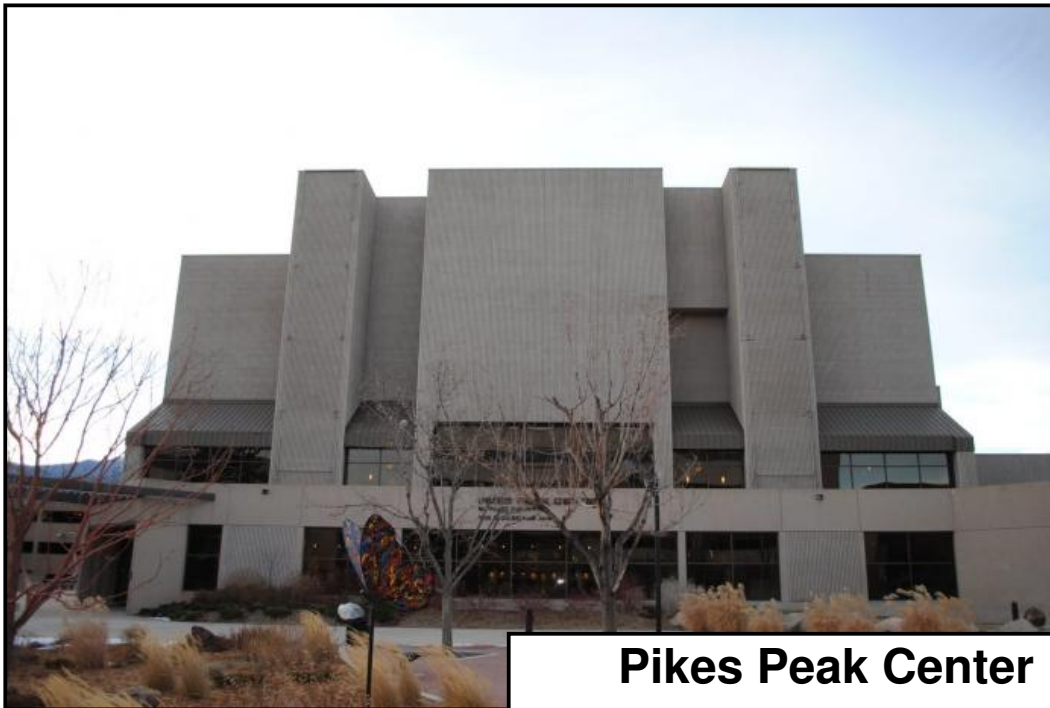


Site Accessibility Evaluation

Americans with Disabilities Act Title II (Public Services: State and Local Government)



Pikes Peak Center

**190 S Cascade Ave
Colorado Springs, CO
80903**

ADA Only

***Inspection Date: 04/10/2018
Inspector: David Mejia***

Prepared By



(719) 520 - 6866

www.elpasoco.com

Outside - N. Side

Lat: 38.8309632000, Long: -104.8266173000

Finding: 1

The passenger drop-off and loading area is not accessible.

Drop-off and loading zone shall provide an access aisle at least 60 inches wide and 20 feet long adjacent and parallel to the vehicle pull-up space. The vehicular pull-up space must be 96 inches wide minimum and 20 feet long minimum. Access aisles shall adjoin an accessible route and shall not overlap the vehicular way. Vehicle standing spaces and access aisles shall be level with surface slopes not exceeding one unit vertical in 48 units' horizontal (2-percent slope) in all directions. If there are curbs between the access aisle and the vehicle pull-up space, a curb ramp shall be provided. Each passenger drop-off and loading zone designed for persons with disabilities shall be identified by a reflectorized sign permanently posted immediately adjacent to and visible from the passenger drop-off or loading zone stating "Passenger Loading Zone Only" and including the International Symbol of Accessibility, in white on dark blue background.

*2010 ADAS Section 503.1
Passenger loading zones shall comply with 503.*

Citation:

2010 ADAS Section: 503.1

As Built:

Area was wide enough, but not marked.

Recommendation:

1. Stripe area to designate accessible drop-off and loading zone and two permanent Van Accessible stalls as depicted on attached map. 2. Add ISA signage as depicted on attached map. 3. Add directional signs to Box Office and Studio Bee as depicted on attached map.

Barrier Priority:

1 (High): Should be completed immediately. (Includes; Findings that have little or no cost, were in violation of the codes at the time of construction, or pose an imminent safety threat)

Department:

N/A

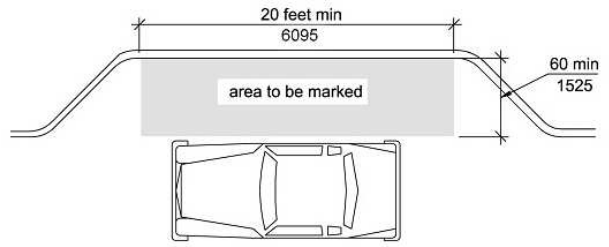
Estimated Remediation Date:

N/A

Notes:

N/A

Finding #1 Continued



Finding 31107 Main Photo

Finding #1 Additional Finding Photos



Finding 31107 Additional Photo



Finding 31107 Additional Photo

Outside - N. Side

Lat: 38.8308867000, Long: -104.8266744000

Finding: 2

A couple of steps exist in the main path of travel in between the main entrance and Studio Bee adjacent to the drop off zone that impede travel via a mobile device.

2010 ADAS Section Recommended
None

Citation:

2010 ADAS Section: Recommended

As Built:

2 steps between
Studio Bee and main
entrance obstruct path
of travel for wheelchair
users

Recommendation:

Remove and construct an accessible pedestrian ramp that does not exceed 8.33% slope. Also, install ADA compliant hand railing.

Barrier Priority:

1 (High): Should be completed immediately. (Includes; Findings that have little or no cost, were in violation of the codes at the time of construction, or pose an imminent safety threat)

Department:

N/A

Estimated Remediation Date:

N/A

Notes:

Corrective action: Work order #444026 submitted on 10/18/18

Finding #2 Continued



Finding 294899 Main Photo

CORRECTED

Dressing Room 4

Lat: 38.8308867000, Long: -104.8266744000

Finding: 3

The toilet seat is not located within the range allowed off the floor.

The height of accessible water closets shall be a minimum of 17 inches and a maximum of 19 inches measured to the top of the toilet seat. The seat itself shall be a maximum of 2 inch high.

2010 ADAS Section 604.4

The seat height of a water closet above the finish floor shall be 17 inches (430 mm) minimum and 19 inches (485 mm) maximum measured to the top of the seat. Seats shall not be sprung to return to a lifted position.

Citation:

2010 ADAS Section: 604.4

As Built:

15.5 inches above
finished floor

Recommendation:

Adjust toilet height, replace toilet or replace toilet seat with one that will meet the minimum height of 17 inches but no more than maximum height of 19 inches.

Barrier Priority:

3 (Moderate): Should be completed as soon as possible, but there may be other items that will provide greater access to persons with disabilities. (Includes; Findings that have a high financial impact on the entity in relationship to the degree of access provided)

Department:

N/A

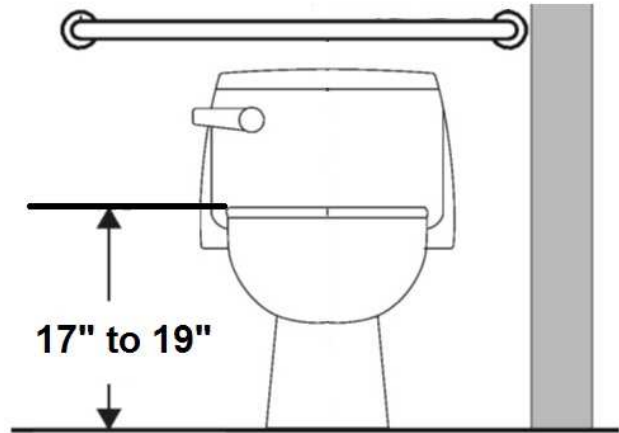
Estimated Remediation Date:

N/A

Notes:

N/A

Finding #3 Continued



Finding 299075 Main Photo

Finding #3 Additional Finding Photos



Finding 299075 Additional Photo

Dressing Room 4

Lat: 38.8308867000, Long: -104.8266744000

Finding: 4

The flush handle is located on the wrong side of the toilet.

Controls shall be operable with one hand and shall not require tight grasping, pinching or twisting. Controls for the flush valves shall be mounted on the wide side of toilet areas, no more than 48 inches above the floor.

2010 ADAS Section 604.6

Flush controls shall be hand operated or automatic. Hand operated flush controls shall comply with 309. Flush controls shall be located on the open side of the water closet except in ambulatory accessible compartments complying with 604.8.2.

Citation:

2010 ADAS Section: 604.6

As Built:

Flush handle located
on closed side nearest
wall

Recommendation:

Relocate flush handle to opposite side (open side of toilet area)

Barrier Priority:

3 (Moderate): Should be completed as soon as possible, but there may be other items that will provide greater access to persons with disabilities. (Includes; Findings that have a high financial impact on the entity in relationship to the degree of access provided)

Department:

N/A

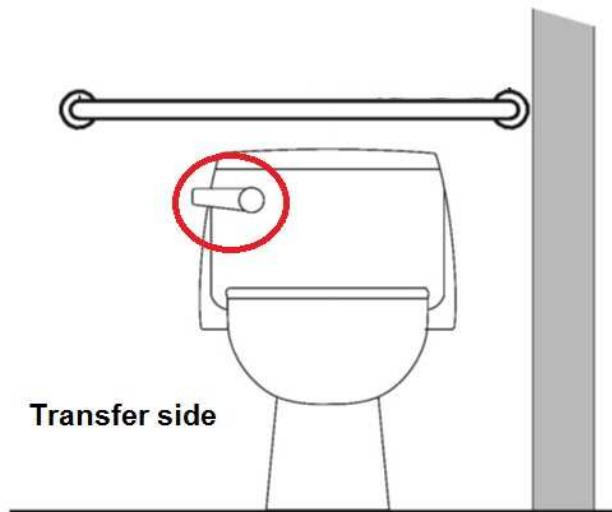
Estimated Remediation Date:

N/A

Notes:

N/A

Finding #4 Continued



Finding 299077 Main Photo

Dressing Room 4

Lat: 38.8308867000, Long: -104.8266744000

Finding: 5

Compliant knee space has not been provided under the lavatory.

The knee clearance shall be 11 inches minimum in depth at 9 inches above the floor, and 8 inches minimum in depth at 27 inches above the floor. The top of the lavatory rim may be no higher than 34 inches.

2010 ADAS Section 306.3.1

Space under an element between 9 inches (230 mm) and 27 inches (685 mm) above the finish floor or ground shall be considered knee clearance and shall comply with 306.3.

Citation:

2010 ADAS Section: 306.3.1

As Built:

No knee clearance provided

Recommendation:

During renovation or remodel and when funding is available, ensure shower compartment inside dimensions and entry measure 36 inches by 36 inches minimum.

Replace lavatory with standalone sink that provides a minimum height from the bottom edge of no less than 27 inches above finished floor and 8 inches minimum in depth for knee clearance.

Barrier Priority:

3 (Moderate): Should be completed as soon as possible, but there may be other items that will provide greater access to persons with disabilities. (Includes; Findings that have a high financial impact on the entity in relationship to the degree of access provided)

Department:

N/A

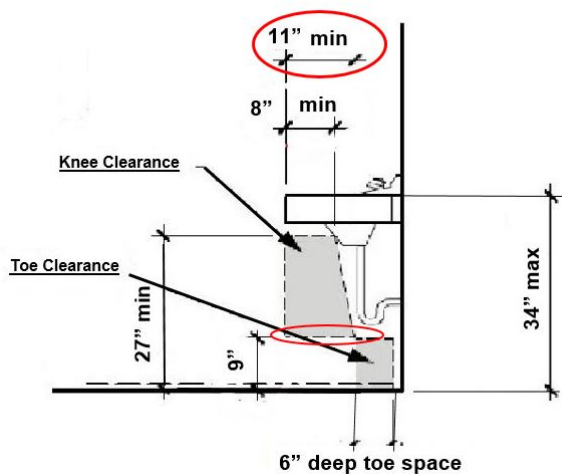
Estimated Remediation Date:

N/A

Notes:

N/A

Finding #5 Continued



Finding 299078 Main Photo

Dressing Room 4

Lat: 38.8308867000, Long: -104.8266744000

Finding: 6

The water and drain pipes under the lavatory are not adequately insulated.

Water supply and drain pipes under lavatories and sinks shall be insulated or otherwise configured to protect against contact. There shall be no sharp or abrasive surfaces under lavatories and sinks.

2010 ADAS Section 606.5

Water supply and drain pipes under lavatories and sinks shall be insulated or otherwise configured to protect against contact. There shall be no sharp or abrasive surfaces under lavatories and sinks.

Citation:

2010 ADAS Section: 606.5

As Built:

Missing pipe
insulation

Recommendation:

Insulate drain pipes underneath lavatory.

Barrier Priority:

3 (Moderate): Should be completed as soon as possible, but there may be other items that will provide greater access to persons with disabilities. (Includes; Findings that have a high financial impact on the entity in relationship to the degree of access provided)

Department:

N/A

Estimated Remediation Date:

N/A

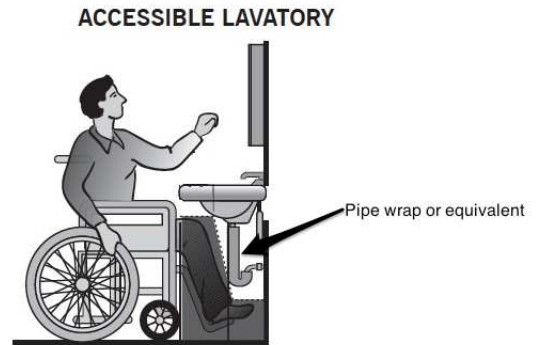
Notes:

N/A

Finding #6 Continued



Finding 299079 Main Photo



Dressing Room 4

Lat: 38.8308867000, Long: -104.8266744000

Finding: 7

The coat hook is installed greater than 48 inches above the finished floor.

Where a forward reach is unobstructed, the high forward reach shall be 48 inches maximum above the finished floor.

2010 ADAS Section 308.2.1

Where a forward reach is unobstructed, the high forward reach shall be 48 inches (1220 mm) maximum and the low forward reach shall be 15 inches (380 mm) minimum above the finish floor or ground.

Citation:

2010 ADAS Section: 308.2.1

As Built:

60.5 inches above
finished floor

Recommendation:

Lower coat hook 13 inches minimum or install another coat hook. Not to exceed a maximum height of 48 inches above finished floor.

Barrier Priority:

3 (Moderate): Should be completed as soon as possible, but there may be other items that will provide greater access to persons with disabilities. (Includes; Findings that have a high financial impact on the entity in relationship to the degree of access provided)

Department:

N/A

Estimated Remediation Date:

N/A

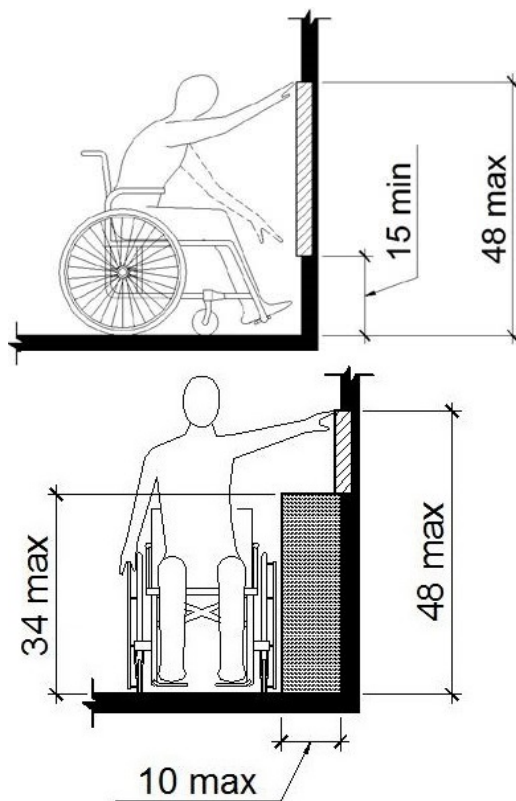
Notes:

N/A

Finding #7 Continued



Finding 299080 Main Photo



Considered
Unobstructed

Dressing Room 4

Lat: 38.8308867000, Long: -104.8266744000

Finding: 8

The transfer shower compartment is not the compliant size.

Transfer type shower compartments shall be 36 inches by 36 inches clear inside dimensions measured at the center points of opposing sides and shall have a 36 inch wide minimum entry on the face of the shower compartment. Clearance of 36 inches wide minimum by 48 inches long minimum measured from the control wall shall be provided.

2010 ADAS Section 608.2.1

Transfer type shower compartments shall be 36 inches (915 mm) by 36 inches (915 mm) clear inside dimensions measured at the center points of opposing sides and shall have a 36 inch (915 mm) wide minimum entry on the face of the shower compartment. Clearance of 36 inches (915 mm) wide minimum by 48 inches (1220 mm) long minimum measured from the control wall shall be provided.

Citation:

2010 ADAS Section: 608.2.1

As Built:

33 inches in depth and width

Recommendation:

During renovation or remodel and when funding is available, ensure shower compartment inside dimensions and entry measure 36 inches by 36 inches minimum.

Barrier Priority:

3 (Moderate): Should be completed as soon as possible, but there may be other items that will provide greater access to persons with disabilities. (Includes; Findings that have a high financial impact on the entity in relationship to the degree of access provided)

Department:

N/A

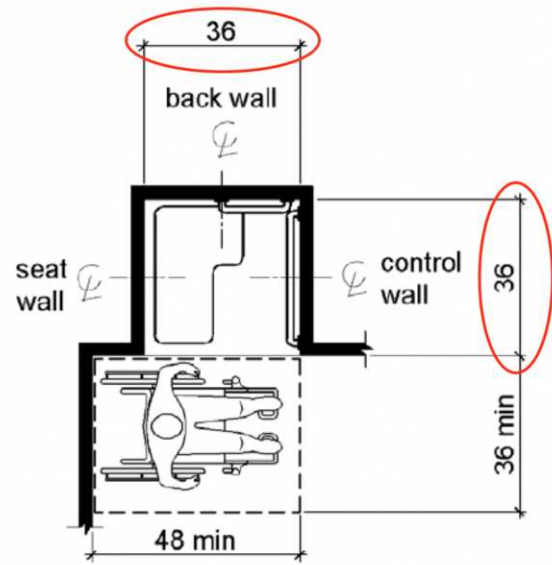
Estimated Remediation Date:

N/A

Notes:

N/A

Finding #8 Continued



Note: Inside finished dimensions measured at the center points of opposing sides.

Finding 299081 Main Photo

Finding #8 Additional Finding Photos



Finding 299081 Additional Photo



Finding 299081 Additional Photo



Finding 299081 Additional Photo

Dressing Room 4

Lat: 38.8308867000, Long: -104.8266744000

Finding: 9

The threshold for the transfer type shower is too high.

In transfer type shower compartments, thresholds shall not be greater than 1/2 inch high and shall be beveled, rounded, or vertical.

2010 ADAS Section 608.7

Thresholds in roll-in type shower compartments shall be 1/2 inch (13 mm) high maximum in accordance with 303. In transfer type shower compartments, thresholds 1/2 inch (13 mm) high maximum shall be beveled, rounded, or vertical.

Citation:

2010 ADAS Section: 608.7

As Built:

7 inches in height

Recommendation:

During renovation or remodel and when funding is available, replace shower pan to meet the threshold 1/2 inch maximum height.

Barrier Priority:

3 (Moderate): Should be completed as soon as possible, but there may be other items that will provide greater access to persons with disabilities. (Includes; Findings that have a high financial impact on the entity in relationship to the degree of access provided)

Department:

N/A

Estimated Remediation Date:

N/A

Notes:

N/A

Finding #9 Continued



Finding 299082 Main Photo

Dressing Room 4

Lat: 38.8308867000, Long: -104.8266744000

Finding: 10

The operable parts of controls are not located correctly.

In transfer type shower compartments, the controls, faucets, and shower spray unit shall be installed on the side wall opposite the seat 38 inches minimum and 48 inches maximum above the shower floor and shall be located on the control wall 15 inches maximum from the centerline of the seat toward the shower opening.

2010 ADAS Section 608.5.1

In transfer type shower compartments, the controls, faucets, and shower spray unit shall be installed on the side wall opposite the seat 38 inches (965 mm) minimum and 48 inches (1220 mm) maximum above the shower floor and shall be located on the control wall 15 inches (380 mm) maximum from the centerline of the seat toward the shower opening.

Citation:

2010 ADAS Section: 608.5.1

As Built:

52 inches above
finished floor

Recommendation:

During renovation or remodel and when funding is available, ensure controls, faucet and shower spray meet the current ADA Standards.

Barrier Priority:

3 (Moderate): Should be completed as soon as possible, but there may be other items that will provide greater access to persons with disabilities. (Includes; Findings that have a high financial impact on the entity in relationship to the degree of access provided)

Department:

N/A

Estimated Remediation Date:

N/A

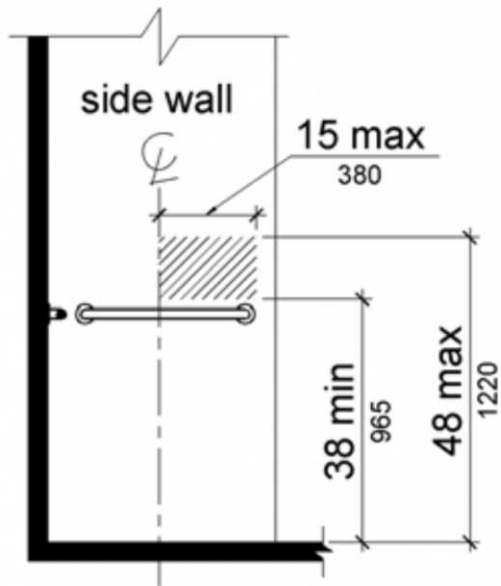
Notes:

N/A

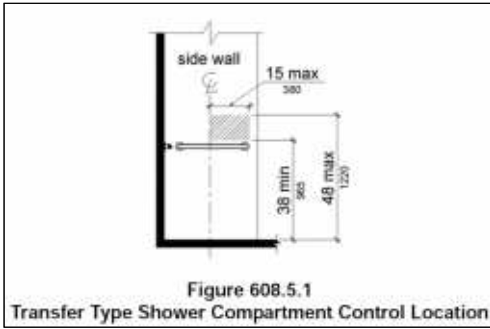
Finding #10 Continued



Finding 299083 Main Photo



Finding #10 Additional Finding Photos



Finding 299083 Additional Photo

Dressing Room 4

Lat: 38.8308867000, Long: -104.8266744000

Finding: 11

The grab bars for the shower are missing.

In transfer type compartments, grab bars shall be provided across the control wall and back wall to a point 18 inches from the control wall.

2010 ADAS Section 608.3.1

In transfer type compartments, grab bars shall be provided across the control wall and back wall to a point 18 inches (455 mm) from the control wall.

Citation:

2010 ADAS Section: 608.3.1

As Built:

Missing grab bars

Recommendation:

During renovation or remodel and when funding is available, ensure grab bars are installed and meet the current ADA Standards.

Barrier Priority:

3 (Moderate): Should be completed as soon as possible, but there may be other items that will provide greater access to persons with disabilities. (Includes; Findings that have a high financial impact on the entity in relationship to the degree of access provided)

Department:

N/A

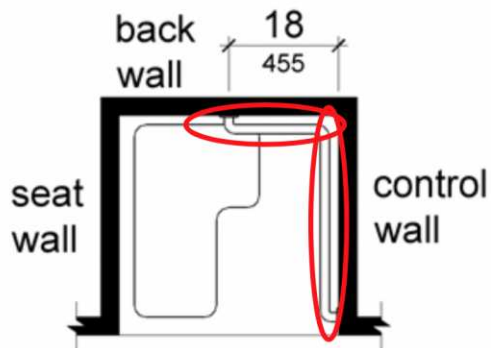
Estimated Remediation Date:

N/A

Notes:

N/A

Finding #11 Continued



Finding 299084 Main Photo

Dressing Room 4

Lat: 38.8308867000, Long: -104.8266744000

Finding: 12

The shower compartment is missing a seat.

A folding or non-folding seat shall be provided in transfer type shower compartments. A folding seat shall be provided in roll-in type showers required in transient lodging guest rooms with mobility features complying with 806.2. Seats shall comply with 610.

2010 ADAS Section 608.4

A folding or non-folding seat shall be provided in transfer type shower compartments. A folding seat shall be provided in roll-in type showers required in transient lodging guest rooms with mobility features complying with 806.2. Seats shall comply with 610.

Citation:

2010 ADAS Section: 608.4

As Built:

Missing folding or non-folding shower seat

Recommendation:

During renovation or remodel and when funding is available, ensure a folding or non-folding seat is installed and meet the current ADA Standards.

Barrier Priority:

3 (Moderate): Should be completed as soon as possible, but there may be other items that will provide greater access to persons with disabilities. (Includes; Findings that have a high financial impact on the entity in relationship to the degree of access provided)

Department:

N/A

Estimated Remediation Date:

N/A

Notes:

N/A

Finding #12 Continued



Finding 299085 Main Photo

Dressing Room 4

Lat: 38.8308867000, Long: -104.8266744000

Finding: 13

The side grab bar is located greater than 12 inches from the rear wall.

The side grab bar must extend at least 54 inches minimum beyond the rear wall and start a maximum of 12 inches from the rear wall. A 42 inch grab bar installed the maximum distance from the rear wall (12 inches) will leave the leading end 54 inches from the rear wall. Grab bars shall be installed in a horizontal position, 33 inches minimum and 36 inches maximum above the finish floor measured to the top of the gripping surface.

2010 ADAS Section 604.5.1

The side wall grab bar shall be 42 inches (1065 mm) long minimum, located 12 inches (305 mm) maximum from the rear wall and extending 54 inches (1370 mm) minimum from the rear wall.

Citation:

2010 ADAS Section: 604.5.1

As Built:

13.5 inches from rear wall

Recommendation:

Adjust side grab bar not to exceed 12 inches from rear wall. The side grab bar must be 42 inches minimum in length and extend at least 54 inches minimum beyond the rear wall.

Barrier Priority:

3 (Moderate): Should be completed as soon as possible, but there may be other items that will provide greater access to persons with disabilities. (Includes; Findings that have a high financial impact on the entity in relationship to the degree of access provided)

Department:

N/A

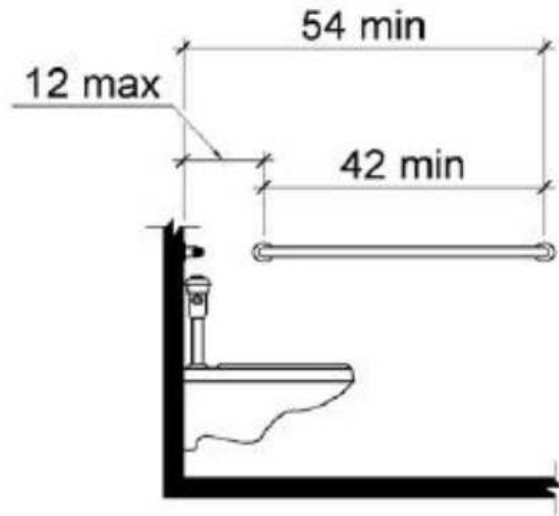
Estimated Remediation Date:

N/A

Notes:

N/A

Finding #13 Continued



Finding 299086 Main Photo

Finding #13 Additional Finding Photos



Finding 299086 Additional Photo

Dressing Room 4

Lat: 38.8308867000, Long: -104.8266744000

Finding: 14

The clearance in front of the shower is not compliant.

Transfer type shower compartments shall be 36 inches by 36 inches clear inside dimensions measured at the center points of opposing sides and shall have a 36 inch wide minimum entry on the face of the shower compartment. Clearance of 36 inches wide minimum by 48 inches long minimum measured from the control wall shall be provided.

2010 ADAS Section 608.2.1

Transfer type shower compartments shall be 36 inches (915 mm) by 36 inches (915 mm) clear inside dimensions measured at the center points of opposing sides and shall have a 36 inch (915 mm) wide minimum entry on the face of the shower compartment. Clearance of 36 inches (915 mm) wide minimum by 48 inches (1220 mm) long minimum measured from the control wall shall be provided.

Citation:

2010 ADAS Section: 608.2.1

As Built:

Shower door only 30 inches in width

Recommendation:

During renovation or remodel and when funding is available, ensure shower entry measures 36 inches minimum in width to meet the current ADA Standards.

Barrier Priority:

3 (Moderate): Should be completed as soon as possible, but there may be other items that will provide greater access to persons with disabilities. (Includes; Findings that have a high financial impact on the entity in relationship to the degree of access provided)

Department:

N/A

Estimated Remediation Date:

N/A

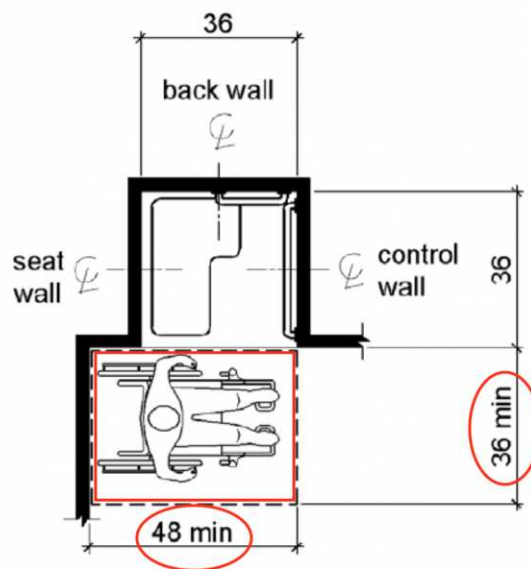
Notes:

N/A

Finding #14 Continued



Finding 299087 Main Photo



Note: Inside finished dimensions measured at the center points of opposing sides.

Finding #14 Additional Finding Photos



Finding 299087 Additional Photo

Dressing Room 4

Lat: 38.8308867000, Long: -104.8266744000

Finding: 15

The operating hardware is not accessible because it requires tight grasping, pinching or twisting of the wrist to operate.

Hand-activated hardware, handles, pulls, latches, locks, and other operating devices on accessible elements shall have a shape that is easy to grasp with one hand and does not require tight grasping, tight pinching or twisting of the wrist to operate.

2010 ADAS Section 309.4

Operable parts shall be operable with one hand and shall not require tight grasping, pinching, or twisting of the wrist. The force required to activate operable parts shall be 5 pounds (22.2 N) maximum.

Citation:

2010 ADAS Section: 309.4

As Built:

Shower door handle
requires tight grasping
or pinching

Recommendation:

Install U-shape or lever type hardware that does not require tight grasping, pinching or twisting of the wrist.

Barrier Priority:

3 (Moderate): Should be completed as soon as possible, but there may be other items that will provide greater access to persons with disabilities. (Includes; Findings that have a high financial impact on the entity in relationship to the degree of access provided)

Department:

N/A

Estimated Remediation Date:

N/A

Notes:

N/A

Finding #15 Continued



Finding 299088 Main Photo

Dressing Room 4

Lat: 38.8308867000, Long: -104.8266744000

Finding: 16

The door/gate operating hardware is not accessible.

Hand-activated door/gate opening hardware, handles, pulls, latches, locks, and other operating devices on accessible doors shall have a shape that is easy to grasp with one hand and does not require tight grasping, tight pinching or twisting of the wrist to operate. Hardware shall be 34 inches minimum and 48 inches maximum above the finish floor or ground.

2010 ADAS Section 404.2.7

Handles, pulls, latches, locks, and other operable parts on doors and gates shall comply with 309.4. Operable parts of such hardware shall be 34 inches (865 mm) minimum and 48 inches (1220 mm) maximum above the finish floor or ground. Where sliding doors are in the fully open position, operating hardware shall be exposed and usable from both sides.

Citation:

2010 ADAS Section: 404.2.7

As Built:

Door knob requires tight grasping and twisting of the wrist

Recommendation:

Install lever type hardware that does not require tight grasping, pinching or twisting of the wrist.

Barrier Priority:

3 (Moderate): Should be completed as soon as possible, but there may be other items that will provide greater access to persons with disabilities. (Includes; Findings that have a high financial impact on the entity in relationship to the degree of access provided)

Department:

N/A

Estimated Remediation Date:

N/A

Notes:

N/A

Finding #16 Continued



Finding 299089 Main Photo

1st Floor, N. side, Performers Mens ADA Restrooms (Orchestra Level)

Lat: 38.8308900000, Long: -104.8267000000

Finding: 17

The flush handle is located on the wrong side of the toilet.

Controls shall be operable with one hand and shall not require tight grasping, pinching or twisting. Controls for the flush valves shall be mounted on the wide side of toilet areas, no more than 48 inches above the floor.

2010 ADAS Section 604.6

Flush controls shall be hand operated or automatic. Hand operated flush controls shall comply with 309. Flush controls shall be located on the open side of the water closet except in ambulatory accessible compartments complying with 604.8.2.

Citation:

2010 ADAS Section: 604.6

As Built:

Flush handle located on wrong side

Recommendation:

Relocate flush handle to opposite side (open side of toilet area).

Barrier Priority:

3 (Moderate): Should be completed as soon as possible, but there may be other items that will provide greater access to persons with disabilities. (Includes; Findings that have a high financial impact on the entity in relationship to the degree of access provided)

Department:

N/A

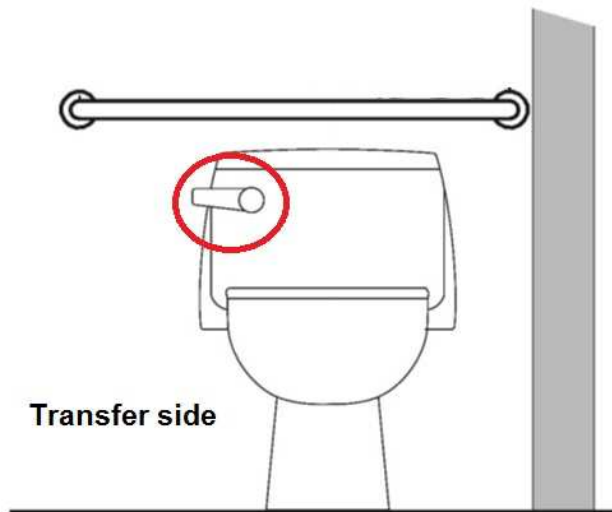
Estimated Remediation Date:

N/A

Notes:

N/A

Finding #17 Continued



Finding 298996 Main Photo

1st Floor, N. side, Performers Mens ADA Restrooms (Orchestra Level)

Lat: 38.8309600000, Long: -104.8266000000

Finding: 18

There is not enough knee clearance under the drinking fountain.

The drinking fountain must have a clear knee space between the bottom of the drinking fountain and the floor not less than 27 inches in height, 30 inches in width, and 8 inches in depth.

2010 ADAS Section 602.2

Units shall have a clear floor or ground space complying with 305 positioned for a forward approach and centered on the unit. Knee and toe clearance complying with 306 shall be provided.

Citation:

2010 ADAS Section: 602.2

As Built:

Drinking fountain not accessible.

Recommendation:

Provide a hi-lo fountain unit to meet current ADA standards. Spout shall be 15 inches minimum from the vertical support and 5 inches maximum from the front edge of the unit, including bumpers. Spout outlets shall be 36 inches maximum above the finished floor or ground.

Barrier Priority:

4 (Low): Should be completed as soon as possible due to being a technical violation, but may not result in providing greater access to persons with disabilities. (Includes; Findings that are technically violations but provide a moderate to low increase in accessibility compared to the financial impact on the entity)

Department:

N/A

Estimated Remediation Date:

N/A

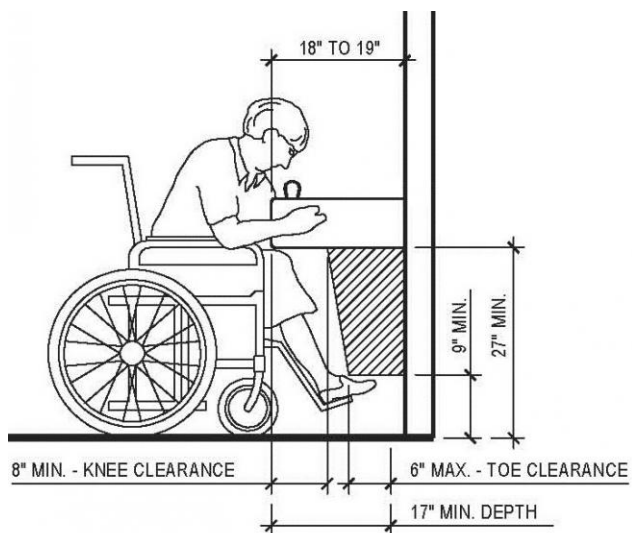
Notes:

N/A

Finding #18 Continued



Finding 134893 Main Photo



Finding #18 Additional Finding Photos



Finding 134893 Additional Photo



Finding 134893 Additional Photo



Finding 134893 Additional Photo

1st Floor, N. side, Performers Mens ADA Restrooms (Orchestra Level)

Lat: 38.8308900000, Long: -104.8267000000

Finding: 19

Compliant room identification signs are missing.

Sign shall be located alongside the door at the latch side. Where a tactile sign is provided at double doors with one active leaf, the sign shall be located on the inactive leaf. Where a tactile sign is provided at double doors with two active leafs, the sign shall be located to the right of the right hand door. Where there is no wall space at the latch side of a single door or at the right side of double doors, signs shall be located on the nearest adjacent wall. Signs containing tactile characters shall be located so that a clear floor space of 18 inches minimum by 18 inches minimum, centered on the tactile characters, is provided beyond the arc of any door swing between the closed position and 45 degree open position.

Wall signs identifying permanent rooms and spaces of a building shall be in a horizontal format and the characters raised 1/32 inch minimum and shall be sans serif uppercase characters a minimum of 5/8 inch and a maximum of 2 inches high. Contracted Grade 2 Braille shall be in a horizontal format and shall be placed a minimum of 3/8 inch and a maximum of 1/2 inch directly below the tactile characters; flush left or centered. Dots shall be 1/10 inch on center in each cell with 2/10-inch space between cells, measured from the second column of dots in the first cell to the first column of dots in the second cell. Dots shall be raised a minimum of 1/40 inch above the background. Braille dots shall be domed or rounded. Signs with raised characters or Braille shall be located 48 inches minimum above the finish floor or ground surface, measured from the baseline of the lowest tactile character and 60 inches maximum above the finish floor or ground surface, measured from the baseline of the highest tactile character.

2010 ADAS Section 216.2

Interior and exterior signs identifying permanent rooms and spaces shall comply with 703.1, 703.2, and 703.5. Where pictograms are provided as designations of permanent interior rooms and spaces, the pictograms shall comply with 703.6 and shall have text descriptors complying with 703.2 and 703.5.

2010 ADAS Section 703.4.2

Where a tactile sign is provided at a door, the sign shall be located alongside the door at the latch side. Where a tactile sign is provided at double doors with one active leaf, the sign shall be located on the inactive leaf. Where a tactile sign is provided at double doors with two active leafs, the sign shall be located to the right of the right hand door. Where there is no wall space at the latch side of a single door or at the right side of double doors, signs shall be located on the nearest adjacent wall. Signs containing tactile characters shall be located so that a clear floor space of 18 inches (455 mm) minimum by 18 inches (455 mm) minimum, centered on the tactile characters, is provided beyond the arc of any door swing between the closed position and 45 degree open position.

Citation:

2010 ADAS Section: 216.2, 703.4.2

As Built:

Non compliant
restroom sign

Recommendation:

Place new sign alongside the door at the latch side or nearest adjacent wall. Braille characters shall

measured 48 inches minimum from the baseline of the lowest tactile character and 60 inches maximum above the finish floor or ground surface, measured from the baseline of the highest tactile character.

Barrier Priority:

3 (Moderate): Should be completed as soon as possible, but there may be other items that will provide greater access to persons with disabilities. (Includes; Findings that have a high financial impact on the entity in relationship to the degree of access provided)

Department:

N/A

Estimated Remediation Date:

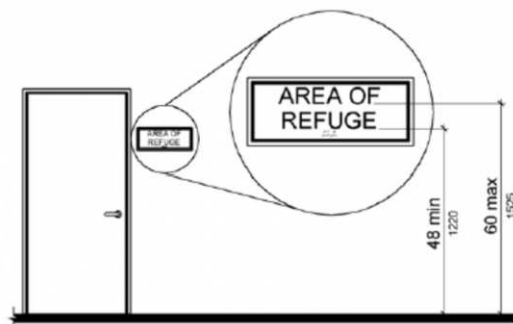
N/A

Notes:

N/A



Finding 298991 Main Photo



1st Floor, N. side, Performers Mens ADA Restrooms (Orchestra Level)

Lat: 38.8308900000, Long: -104.8267000000

Finding: 20

The door opening does not provide at least 32 inches between the face of the door and the opposite stop.

Door openings shall provide a clear width of 32 inches minimum. Clear openings of doorways with swinging doors shall be measured between the face of the door and the stop, with the door open 90 degrees. There shall be no projections into the required clear opening width lower than 34 inches above the finish floor or ground. Projections into the clear opening width between 34 inches and 80 inches above the finish floor or ground shall not exceed 4 inches.

2010 ADAS Section 404.2.3

Door openings shall provide a clear width of 32 inches (815 mm) minimum. Clear openings of doorways with swinging doors shall be measured between the face of the door and the stop, with the door open 90 degrees. Openings more than 24 inches (610 mm) deep shall provide a clear opening of 36 inches (915 mm) minimum. There shall be no projections into the required clear opening width lower than 34 inches (865 mm) above the finish floor or ground. Projections into the clear opening width between 34 inches (865 mm) and 80 inches (2030 mm) above the finish floor or ground shall not exceed 4 inches (100 mm).

Citation:

2010 ADAS Section: 404.2.3

As Built:

25.25 inches in width

Recommendation:

Remove and replace door frame to accommodate a new door that provides a minimum of 32 inches of width.

Barrier Priority:

3 (Moderate): Should be completed as soon as possible, but there may be other items that will provide greater access to persons with disabilities. (Includes; Findings that have a high financial impact on the entity in relationship to the degree of access provided)

Department:

N/A

Estimated Remediation Date:

N/A

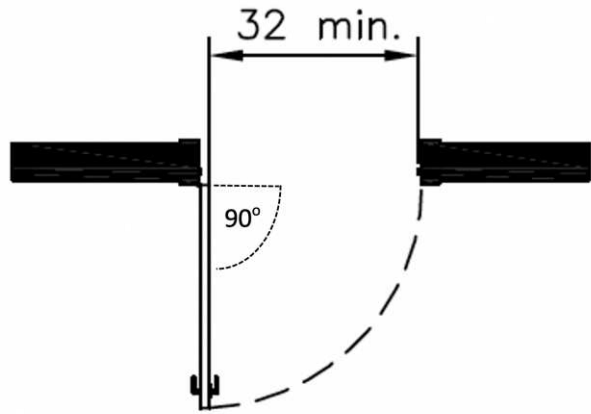
Notes:

N/A

Finding #20 Continued



Finding 298992 Main Photo



Hinged Door

1st Floor, N. side, Performers Mens ADA Restrooms (Orchestra Level)

Lat: 38.8308900000, Long: -104.8267000000

Finding: 21

The door encroaches into the minimum required compartment area.

Toilet compartment doors shall not swing into the minimum required compartment area.

Wheelchair accessible compartments shall be 60 inches wide minimum measured perpendicular to the side wall, and 56 inches deep minimum for wall hung water closets and 59 inches deep minimum for floor mounted water closets measured perpendicular to the rear wall.

2010 ADAS Section 604.8.1.2

Toilet compartment doors, including door hardware, shall comply with 404 except that if the approach is to the latch side of the compartment door, clearance between the door side of the compartment and any obstruction shall be 42 inches (1065 mm) minimum. Doors shall be located in the front partition or in the side wall or partition farthest from the water closet. Where located in the front partition, the door opening shall be 4 inches (100 mm) maximum from the side wall or partition farthest from the water closet. Where located in the side wall or partition, the door opening shall be 4 inches (100 mm) maximum from the front partition. The door shall be self-closing. A door pull complying with 404.2.7 shall be placed on both sides of the door near the latch. Toilet compartment doors shall not swing into the minimum required compartment area.

2010 ADAS Section 604.8.1.1

Wheelchair accessible compartments shall be 60 inches (1525 mm) wide minimum measured perpendicular to the side wall, and 56 inches (1420 mm) deep minimum for wall hung water closets and 59 inches (1500 mm) deep minimum for floor mounted water closets measured perpendicular to the rear wall. Wheelchair accessible compartments for children's use shall be 60 inches (1525 mm) wide minimum measured perpendicular to the side wall, and 59 inches (1500 mm) deep minimum for wall hung and floor mounted water closets measured perpendicular to the rear wall.

Citation:

2010 ADAS Section: 604.8.1.2, 604.8.1.1

As Built:

Door swings into the required clear floor space of toilet

Recommendation:

Change door swing direction unless building and/or fire codes prohibit due to safety.

Barrier Priority:

3 (Moderate): Should be completed as soon as possible, but there may be other items that will provide greater access to persons with disabilities. (Includes; Findings that have a high financial impact on the entity in relationship to the degree of access provided)

Department:

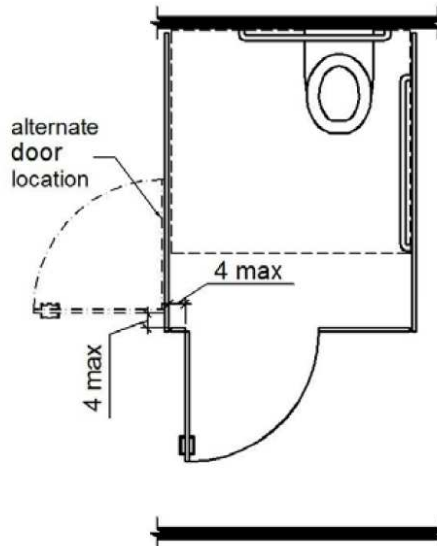
N/A

Estimated Remediation Date:

N/A

Notes:

N/A



Finding 298993 Main Photo

1st Floor, N. side, Performers Mens ADA Restrooms (Orchestra Level)

Lat: 38.8308900000, Long: -104.8267000000

Finding: 22

The toilet seat is not located within the range allowed off the floor.

The height of accessible water closets shall be a minimum of 17 inches and a maximum of 19 inches measured to the top of the toilet seat. The seat itself shall be a maximum of 2 inch high.

2010 ADAS Section 604.4

The seat height of a water closet above the finish floor shall be 17 inches (430 mm) minimum and 19 inches (485 mm) maximum measured to the top of the seat. Seats shall not be sprung to return to a lifted position.

Citation:

2010 ADAS Section: 604.4

As Built:

16 inches above
finished floor

Recommendation:

Adjust toilet height, replace toilet or replace toilet seat with one that will meet the minimum height of 17 inches but no more than maximum height of 19 inches.

Barrier Priority:

3 (Moderate): Should be completed as soon as possible, but there may be other items that will provide greater access to persons with disabilities. (Includes; Findings that have a high financial impact on the entity in relationship to the degree of access provided)

Department:

N/A

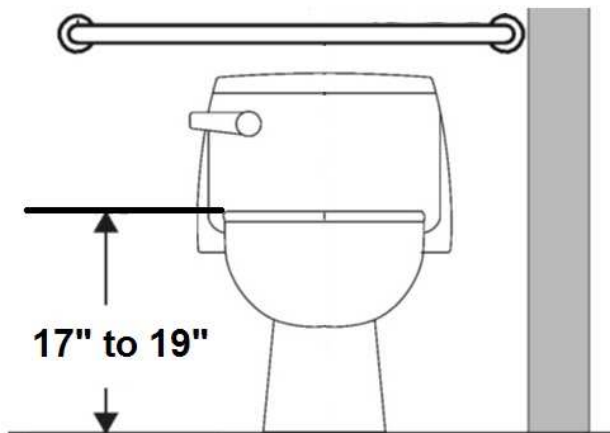
Estimated Remediation Date:

N/A

Notes:

N/A

Finding #22 Continued



Finding 298995 Main Photo

1st Floor, N. side, Performers Mens ADA Restrooms (Orchestra Level)

Lat: 38.8308900000, Long: -104.8267000000

Finding: 23

Accessible toilets must have grab bars installed.

The side grab bar must extend at least 54 inches minimum beyond the rear wall and start a maximum of 12 inches from the rear wall.

The rear grab bar must be a minimum of 36 inches long and extend from the centerline of the toilet 12 inches minimum on one side and 24 inches minimum on the other side.

Grab bars shall be installed in a horizontal position, 33 inches minimum and 36 inches maximum above the finish floor measured to the top of the gripping surface.

2010 ADAS Section 604.5

Grab bars for water closets shall comply with 609. Grab bars shall be provided on the side wall closest to the water closet and on the rear wall.

Citation:

2010 ADAS Section: 604.5

As Built:

Missing side and rear grab bars

Recommendation:

Install 1 side and 1 rear grab bar at 36 inches maximum above finished floor measured to the top of the gripping surface. Please see finding details for compliant measurements. Rear grab bar may not meet compliance clearances or length due to structural limitations.

Barrier Priority:

3 (Moderate): Should be completed as soon as possible, but there may be other items that will provide greater access to persons with disabilities. (Includes; Findings that have a high financial impact on the entity in relationship to the degree of access provided)

Department:

N/A

Estimated Remediation Date:

N/A

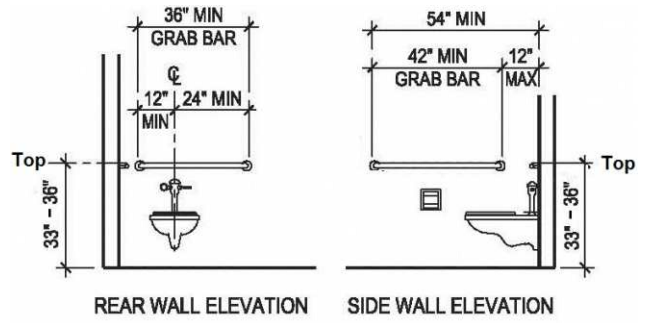
Notes:

N/A

Finding #23 Continued



Finding 298997 Main Photo



1st Floor, N. side, Performers Mens ADA Restrooms (Orchestra Level)

Lat: 38.8308900000, Long: -104.8267000000

Finding: 24

Knee clearance at 27 inches off the floor is not 8 inches minimum deep.

The knee clearance, measured from the bottom of the apron or the outside bottom edge of the lavatory, must be 27 inches at a point located 8 inches back from the front edge and continuing to 11 inches minimum in depth at 9 inches above the floor. The top of the lavatory rim may be no higher than 34 inches.

2010 ADAS Section 306.3.3

Where knee clearance is required under an element as part of a clear floor space, the knee clearance shall be 11 inches (280 mm) deep minimum at 9 inches (230 mm) above the finish floor or ground, and 8 inches (205 mm) deep minimum at 27 inches (685 mm) above the finish floor or ground.

Citation:

2010 ADAS Section: 306.3.3

As Built:

No knee clearance provided

Recommendation:

Adjust or replace lavatory with one that provides a minimum height from the bottom edge of no less than 27 inches above finished floor and 8 inches minimum in depth for knee clearance.

Barrier Priority:

3 (Moderate): Should be completed as soon as possible, but there may be other items that will provide greater access to persons with disabilities. (Includes; Findings that have a high financial impact on the entity in relationship to the degree of access provided)

Department:

N/A

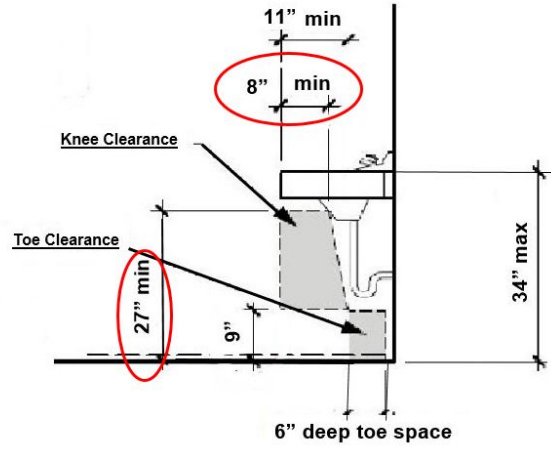
Estimated Remediation Date:

N/A

Notes:

N/A

Finding #24 Continued



Finding 298998 Main Photo

1st Floor, N. side, Performers Mens ADA Restrooms (Orchestra Level)

Lat: 38.8308900000, Long: -104.8267000000

Finding: 25

The water and drain pipes under the lavatory are not adequately insulated.

Water supply and drain pipes under lavatories and sinks shall be insulated or otherwise configured to protect against contact. There shall be no sharp or abrasive surfaces under lavatories and sinks.

2010 ADAS Section 606.5

Water supply and drain pipes under lavatories and sinks shall be insulated or otherwise configured to protect against contact. There shall be no sharp or abrasive surfaces under lavatories and sinks.

Citation:

2010 ADAS Section: 606.5

As Built:

No pipe insulation
underneath lavatory

Recommendation:

Insulate drain pipes underneath lavatory.

Barrier Priority:

3 (Moderate): Should be completed as soon as possible, but there may be other items that will provide greater access to persons with disabilities. (Includes; Findings that have a high financial impact on the entity in relationship to the degree of access provided)

Department:

N/A

Estimated Remediation Date:

N/A

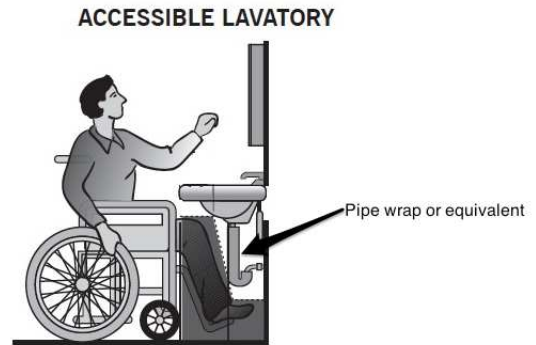
Notes:

N/A

Finding #25 Continued



Finding 298999 Main Photo



1st Floor, N. side, Performers Mens ADA Restrooms (Orchestra Level)

Lat: 38.8308900000, Long: -104.8267000000

Finding: 26

The paper towel dispenser's operation mechanism is too high off the floor.

Dispensers must have all operable parts a maximum of 48 inches above the floor.

2010 ADAS Section 308.2.1

Where a forward reach is unobstructed, the high forward reach shall be 48 inches (1220 mm) maximum and the low forward reach shall be 15 inches (380 mm) minimum above the finish floor or ground.

Citation:

2010 ADAS Section: 308.2.1

As Built:

Operable part at 54 inches above finished floor

Recommendation:

Lower paper towel dispenser 7 inches to meet compliance. 48 inches maximum height above finished floor for operable parts (knob).

Barrier Priority:

3 (Moderate): Should be completed as soon as possible, but there may be other items that will provide greater access to persons with disabilities. (Includes; Findings that have a high financial impact on the entity in relationship to the degree of access provided)

Department:

N/A

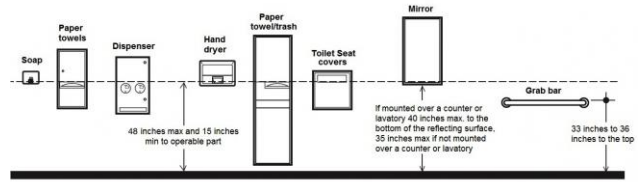
Estimated Remediation Date:

N/A

Notes:

N/A

Finding #26 Continued



Finding 299000 Main Photo

1st Floor, N. side, Performers Womens ADA Restrooms (Orchestra Level)

Lat: 38.8308900000, Long: -104.8267000000

Finding: 27

Compliant room identification signs are missing.

Sign shall be located alongside the door at the latch side. Where a tactile sign is provided at double doors with one active leaf, the sign shall be located on the inactive leaf. Where a tactile sign is provided at double doors with two active leafs, the sign shall be located to the right of the right hand door. Where there is no wall space at the latch side of a single door or at the right side of double doors, signs shall be located on the nearest adjacent wall. Signs containing tactile characters shall be located so that a clear floor space of 18 inches minimum by 18 inches minimum, centered on the tactile characters, is provided beyond the arc of any door swing between the closed position and 45 degree open position.

Wall signs identifying permanent rooms and spaces of a building shall be in a horizontal format and the characters raised 1/32 inch minimum and shall be sans serif uppercase characters a minimum of 5/8 inch and a maximum of 2 inches high. Contracted Grade 2 Braille shall be in a horizontal format and shall be placed a minimum of 3/8 inch and a maximum of 1/2 inch directly below the tactile characters; flush left or centered. Dots shall be 1/10 inch on center in each cell with 2/10-inch space between cells, measured from the second column of dots in the first cell to the first column of dots in the second cell. Dots shall be raised a minimum of 1/40 inch above the background. Braille dots shall be domed or rounded. Signs with raised characters or Braille shall be located 48 inches minimum above the finish floor or ground surface, measured from the baseline of the lowest tactile character and 60 inches maximum above the finish floor or ground surface, measured from the baseline of the highest tactile character.

2010 ADAS Section 216.2

Interior and exterior signs identifying permanent rooms and spaces shall comply with 703.1, 703.2, and 703.5. Where pictograms are provided as designations of permanent interior rooms and spaces, the pictograms shall comply with 703.6 and shall have text descriptors complying with 703.2 and 703.5.

2010 ADAS Section 703.4.2

Where a tactile sign is provided at a door, the sign shall be located alongside the door at the latch side. Where a tactile sign is provided at double doors with one active leaf, the sign shall be located on the inactive leaf. Where a tactile sign is provided at double doors with two active leafs, the sign shall be located to the right of the right hand door. Where there is no wall space at the latch side of a single door or at the right side of double doors, signs shall be located on the nearest adjacent wall. Signs containing tactile characters shall be located so that a clear floor space of 18 inches (455 mm) minimum by 18 inches (455 mm) minimum, centered on the tactile characters, is provided beyond the arc of any door swing between the closed position and 45 degree open position.

Citation:

2010 ADAS Section: 216.2, 703.4.2

As Built:

Non compliant
restroom sign

Recommendation:

Place new sign alongside the door at the latch side or nearest adjacent wall. Braille characters shall

measured 48 inches minimum from the baseline of the lowest tactile character and 60 inches maximum above the finish floor or ground surface, measured from the baseline of the highest tactile character.

Barrier Priority:

3 (Moderate): Should be completed as soon as possible, but there may be other items that will provide greater access to persons with disabilities. (Includes; Findings that have a high financial impact on the entity in relationship to the degree of access provided)

Department:

N/A

Estimated Remediation Date:

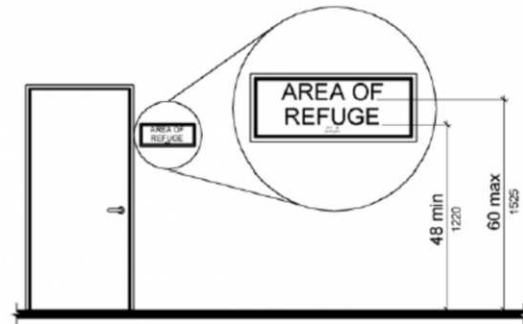
N/A

Notes:

N/A



Finding 299013 Main Photo



1st Floor, N. side, Performers Womens ADA Restrooms (Orchestra Level)

Lat: 38.8308900000, Long: -104.8267000000

Finding: 28

The door opening does not provide at least 32 inches between the face of the door and the opposite stop.

Door openings shall provide a clear width of 32 inches minimum. Clear openings of doorways with swinging doors shall be measured between the face of the door and the stop, with the door open 90 degrees. There shall be no projections into the required clear opening width lower than 34 inches above the finish floor or ground. Projections into the clear opening width between 34 inches and 80 inches above the finish floor or ground shall not exceed 4 inches.

2010 ADAS Section 404.2.3

Door openings shall provide a clear width of 32 inches (815 mm) minimum. Clear openings of doorways with swinging doors shall be measured between the face of the door and the stop, with the door open 90 degrees. Openings more than 24 inches (610 mm) deep shall provide a clear opening of 36 inches (915 mm) minimum. There shall be no projections into the required clear opening width lower than 34 inches (865 mm) above the finish floor or ground. Projections into the clear opening width between 34 inches (865 mm) and 80 inches (2030 mm) above the finish floor or ground shall not exceed 4 inches (100 mm).

Citation:

2010 ADAS Section: 404.2.3

As Built:

25.25 inches in width

Recommendation:

Remove and replace door frame to accommodate a new door that provides a minimum of 32 inches of width.

Barrier Priority:

3 (Moderate): Should be completed as soon as possible, but there may be other items that will provide greater access to persons with disabilities. (Includes; Findings that have a high financial impact on the entity in relationship to the degree of access provided)

Department:

N/A

Estimated Remediation Date:

N/A

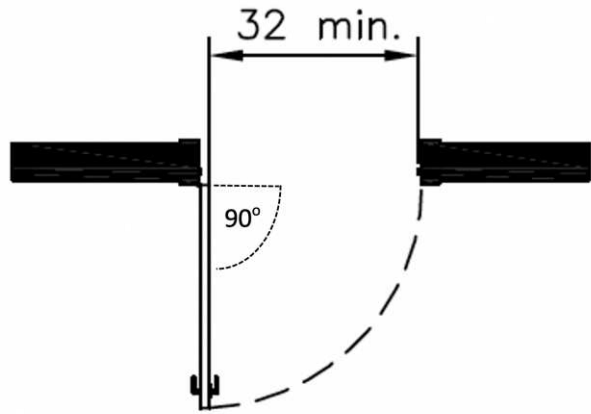
Notes:

N/A

Finding #28 Continued



Finding 299014 Main Photo



Hinged Door

1st Floor, N. side, Performers Womens ADA Restrooms (Orchestra Level)

Lat: 38.8308900000, Long: -104.8267000000

Finding: 29

The door encroaches into the minimum required compartment area.

Toilet compartment doors shall not swing into the minimum required compartment area.

Wheelchair accessible compartments shall be 60 inches wide minimum measured perpendicular to the side wall, and 56 inches deep minimum for wall hung water closets and 59 inches deep minimum for floor mounted water closets measured perpendicular to the rear wall.

2010 ADAS Section 604.8.1.2

Toilet compartment doors, including door hardware, shall comply with 404 except that if the approach is to the latch side of the compartment door, clearance between the door side of the compartment and any obstruction shall be 42 inches (1065 mm) minimum. Doors shall be located in the front partition or in the side wall or partition farthest from the water closet. Where located in the front partition, the door opening shall be 4 inches (100 mm) maximum from the side wall or partition farthest from the water closet. Where located in the side wall or partition, the door opening shall be 4 inches (100 mm) maximum from the front partition. The door shall be self-closing. A door pull complying with 404.2.7 shall be placed on both sides of the door near the latch. Toilet compartment doors shall not swing into the minimum required compartment area.

2010 ADAS Section 604.8.1.1

Wheelchair accessible compartments shall be 60 inches (1525 mm) wide minimum measured perpendicular to the side wall, and 56 inches (1420 mm) deep minimum for wall hung water closets and 59 inches (1500 mm) deep minimum for floor mounted water closets measured perpendicular to the rear wall. Wheelchair accessible compartments for children's use shall be 60 inches (1525 mm) wide minimum measured perpendicular to the side wall, and 59 inches (1500 mm) deep minimum for wall hung and floor mounted water closets measured perpendicular to the rear wall.

Citation:

2010 ADAS Section: 604.8.1.2, 604.8.1.1

As Built:

Door swings into the required clear floor space of toilet

Recommendation:

Change door swing direction unless building and/or fire codes prohibit due to safety.

Barrier Priority:

3 (Moderate): Should be completed as soon as possible, but there may be other items that will provide greater access to persons with disabilities. (Includes; Findings that have a high financial impact on the entity in relationship to the degree of access provided)

Department:

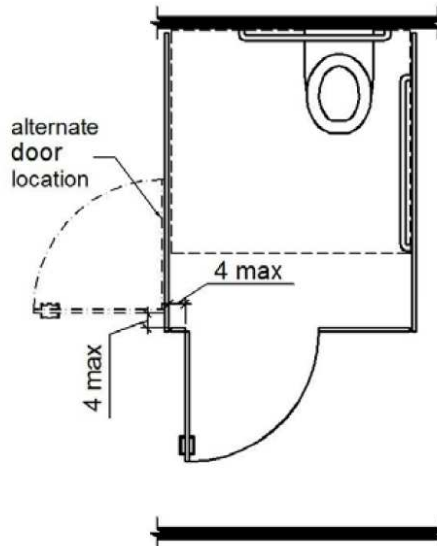
N/A

Estimated Remediation Date:

N/A

Notes:

N/A



Finding 299015 Main Photo

1st Floor, N. side, Performers Womens ADA Restrooms (Orchestra Level)

Lat: 38.8308900000, Long: -104.8267000000

Finding: 30

The toilet seat is not located within the range allowed off the floor.

The height of accessible water closets shall be a minimum of 17 inches and a maximum of 19 inches measured to the top of the toilet seat. The seat itself shall be a maximum of 2 inch high.

2010 ADAS Section 604.4

The seat height of a water closet above the finish floor shall be 17 inches (430 mm) minimum and 19 inches (485 mm) maximum measured to the top of the seat. Seats shall not be sprung to return to a lifted position.

Citation:

2010 ADAS Section: 604.4

As Built:

16 inches above
finished floor

Recommendation:

Adjust toilet height, replace toilet or replace toilet seat with one that will meet the minimum height of 17 inches but no more than maximum height of 19 inches.

Barrier Priority:

3 (Moderate): Should be completed as soon as possible, but there may be other items that will provide greater access to persons with disabilities. (Includes; Findings that have a high financial impact on the entity in relationship to the degree of access provided)

Department:

N/A

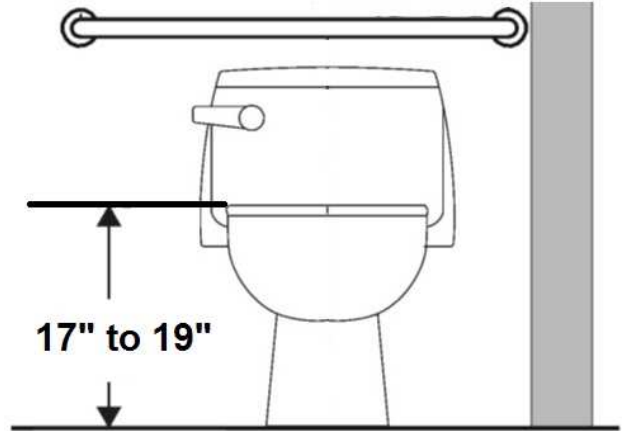
Estimated Remediation Date:

N/A

Notes:

N/A

Finding #30 Continued



Finding 299017 Main Photo

1st Floor, N. side, Performers Womens ADA Restrooms (Orchestra Level)

Lat: 38.8308900000, Long: -104.8267000000

Finding: 31

Accessible toilets must have grab bars installed.

The side grab bar must extend at least 54 inches minimum beyond the rear wall and start a maximum of 12 inches from the rear wall.

The rear grab bar must be a minimum of 36 inches long and extend from the centerline of the toilet 12 inches minimum on one side and 24 inches minimum on the other side.

Grab bars shall be installed in a horizontal position, 33 inches minimum and 36 inches maximum above the finish floor measured to the top of the gripping surface.

2010 ADAS Section 604.5

Grab bars for water closets shall comply with 609. Grab bars shall be provided on the side wall closest to the water closet and on the rear wall.

Citation:

2010 ADAS Section: 604.5

As Built:

Missing side and rear grab bars

Recommendation:

Install 1 side and 1 rear grab bar at 36 inches maximum above finished floor measured to the top of the gripping surface. Please see finding details for compliant measurements. Rear grab bar may not meet compliance clearances or length due to structural limitations.

Barrier Priority:

3 (Moderate): Should be completed as soon as possible, but there may be other items that will provide greater access to persons with disabilities. (Includes; Findings that have a high financial impact on the entity in relationship to the degree of access provided)

Department:

N/A

Estimated Remediation Date:

N/A

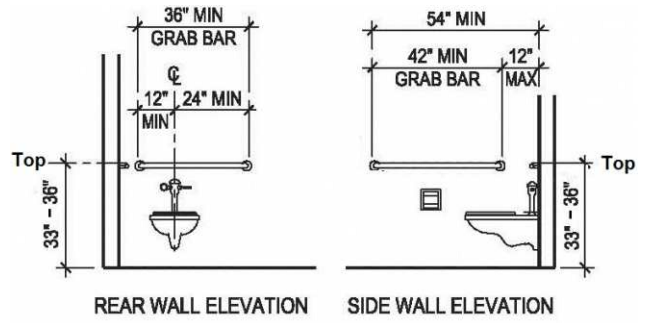
Notes:

N/A

Finding #31 Continued



Finding 299018 Main Photo



1st Floor, N. side, Performers Womens ADA Restrooms (Orchestra Level)

Lat: 38.8308900000, Long: -104.8267000000

Finding: 32

Knee clearance at 27 inches off the floor is not 8 inches minimum deep.

The knee clearance, measured from the bottom of the apron or the outside bottom edge of the lavatory, must be 27 inches at a point located 8 inches back from the front edge and continuing to 11 inches minimum in depth at 9 inches above the floor. The top of the lavatory rim may be no higher than 34 inches.

2010 ADAS Section 306.3.3

Where knee clearance is required under an element as part of a clear floor space, the knee clearance shall be 11 inches (280 mm) deep minimum at 9 inches (230 mm) above the finish floor or ground, and 8 inches (205 mm) deep minimum at 27 inches (685 mm) above the finish floor or ground.

Citation:

2010 ADAS Section: 306.3.3

As Built:

No knee clearance provided

Recommendation:

Adjust or replace lavatory with one that provides a minimum height from the bottom edge of no less than 27 inches above finished floor and 8 inches minimum in depth for knee clearance.

Barrier Priority:

3 (Moderate): Should be completed as soon as possible, but there may be other items that will provide greater access to persons with disabilities. (Includes; Findings that have a high financial impact on the entity in relationship to the degree of access provided)

Department:

N/A

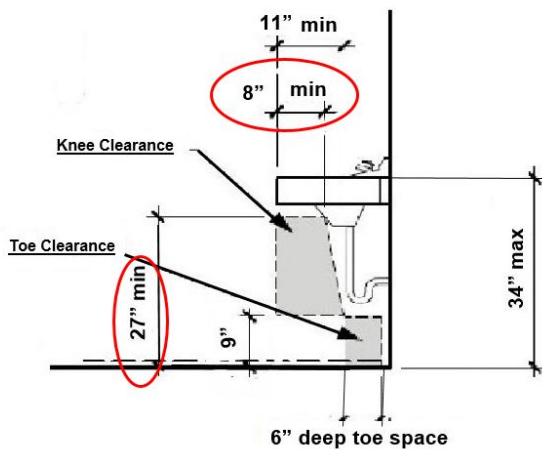
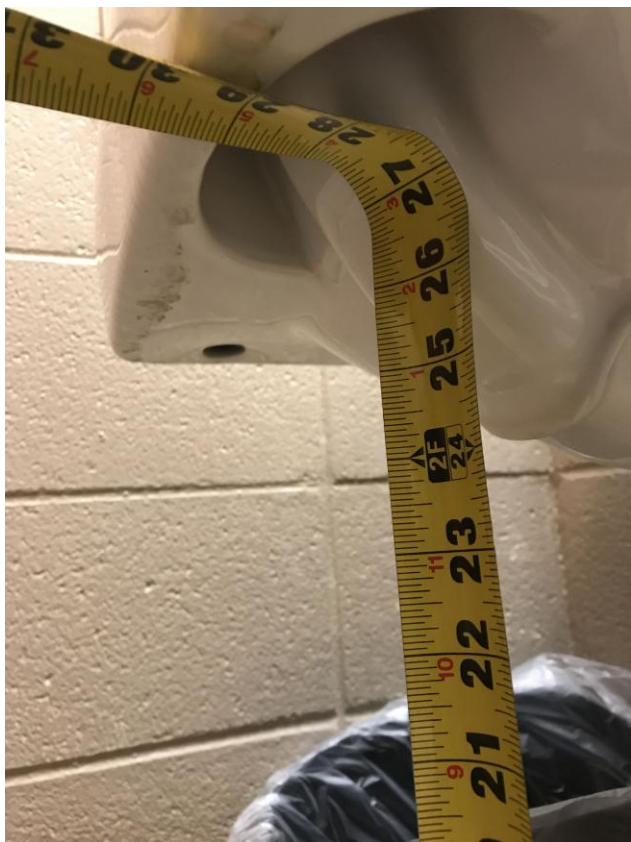
Estimated Remediation Date:

N/A

Notes:

N/A

Finding #32 Continued



Finding 299019 Main Photo

1st Floor, N. side, Performers Womens ADA Restrooms (Orchestra Level)

Lat: 38.8308900000, Long: -104.8267000000

Finding: 33

The water and drain pipes under the lavatory are not adequately insulated.

Water supply and drain pipes under lavatories and sinks shall be insulated or otherwise configured to protect against contact. There shall be no sharp or abrasive surfaces under lavatories and sinks.

2010 ADAS Section 606.5

Water supply and drain pipes under lavatories and sinks shall be insulated or otherwise configured to protect against contact. There shall be no sharp or abrasive surfaces under lavatories and sinks.

Citation:

2010 ADAS Section: 606.5

As Built:

No pipe insulation
underneath lavatory

Recommendation:

Insulate drain pipes underneath lavatory.

Barrier Priority:

3 (Moderate): Should be completed as soon as possible, but there may be other items that will provide greater access to persons with disabilities. (Includes; Findings that have a high financial impact on the entity in relationship to the degree of access provided)

Department:

N/A

Estimated Remediation Date:

N/A

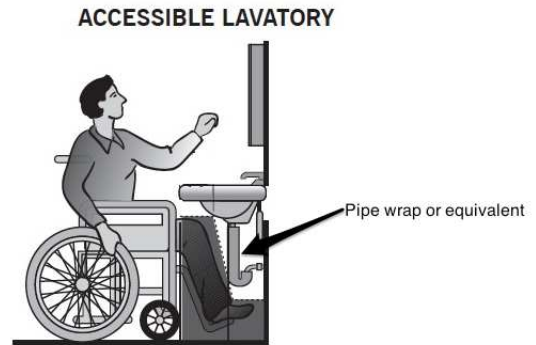
Notes:

N/A

Finding #33 Continued



Finding 299020 Main Photo



1st Floor, N. side, Performers Womens ADA Restrooms (Orchestra Level)

Lat: 38.8308900000, Long: -104.8267000000

Finding: 34

The paper towel dispenser's operation mechanism is too high off the floor.

Dispensers must have all operable parts a maximum of 48 inches above the floor.

2010 ADAS Section 308.2.1

Where a forward reach is unobstructed, the high forward reach shall be 48 inches (1220 mm) maximum and the low forward reach shall be 15 inches (380 mm) minimum above the finish floor or ground.

Citation:

2010 ADAS Section: 308.2.1

As Built:

Operable part at 54 inches above finished floor

Recommendation:

Lower paper towel dispenser 8 inches to meet compliance. 48 inches maximum height above finished floor for operable parts (knob).

Barrier Priority:

3 (Moderate): Should be completed as soon as possible, but there may be other items that will provide greater access to persons with disabilities. (Includes; Findings that have a high financial impact on the entity in relationship to the degree of access provided)

Department:

N/A

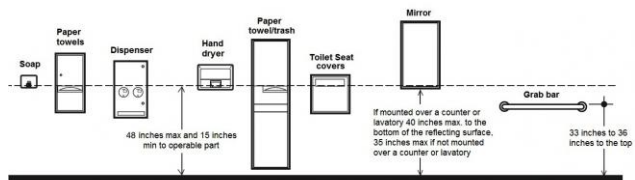
Estimated Remediation Date:

N/A

Notes:

N/A

Finding #34 Continued



Finding 299021 Main Photo

Finding #34 Additional Finding Photos



Finding 299021 Additional Photo

1st Floor, N. side, Studio Bee (Orchestra Level)

Lat: 38.8309600000, Long: -104.8266000000

Finding: 35

The maneuvering space between the two doors in the vestibule is noncompliant.

The distance between two hinged or pivoted doors in series shall be 48 inches minimum plus the width of doors or gates swinging into the space.

2010 ADAS Section 404.2.6

The distance between two hinged or pivoted doors in series and gates in series shall be 48 inches (1220 mm) minimum plus the width of doors or gates swinging into the space.

Citation:

2010 ADAS Section: 404.2.6

As Built:

Doors in series: 52
inches outside/39
inches inside.

Recommendation:

Install automatic door openers or keep door open (propped) NFPA permitting.

Barrier Priority:

2 (Important): Should be completed as soon as possible. (Includes; Findings that would remove barriers to the greatest number of people to your goods and services)

Department:

N/A

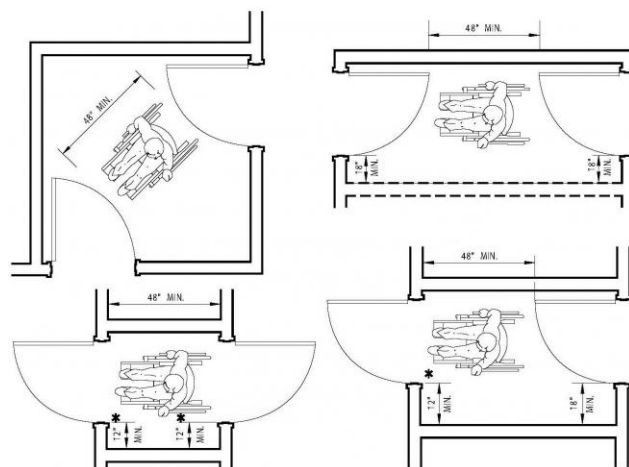
Estimated Remediation Date:

N/A

Notes:

N/A

Finding #35 Continued



Finding 17116 Main Photo

Finding #35 Additional Finding Photos



Finding 17116 Additional Photo



Finding 17116 Additional Photo

1st Floor, N. side, Studio Bee (Orchestra Level)

Lat: 38.8309600000, Long: -104.8266000000

Finding: 36

The operating hardware is not accessible because it requires tight grasping, pinching or twisting of the wrist to operate.

Hand-activated hardware, handles, pulls, latches, locks, and other operating devices on accessible elements shall have a shape that is easy to grasp with one hand and does not require tight grasping, tight pinching or twisting of the wrist to operate.

2010 ADAS Section 309.4

Operable parts shall be operable with one hand and shall not require tight grasping, pinching, or twisting of the wrist. The force required to activate operable parts shall be 5 pounds (22.2 N) maximum.

Citation:

2010 ADAS Section: 309.4

As Built:

Door has thumb handle.

Recommendation:

Install lever type hardware that does not require tight grasping, pinching or twisting of the wrist.

Barrier Priority:

2 (Important): Should be completed as soon as possible. (Includes; Findings that would remove barriers to the greatest number of people to your goods and services)

Department:

N/A

Estimated Remediation Date:

N/A

Notes:

N/A

Finding #36 Continued



Finding 17118 Main Photo

Finding #36 Additional Finding Photos



Finding 17118 Additional Photo

1st Floor, N. side, Studio Bee (Orchestra Level)

Lat: 38.8309600000, Long: -104.8266000000

Finding: 37

The drinking fountain is not accessible.

The spout is located 7 inches from the front edge of the unit (5 inches maximum).

Spout height is 37 inches above the finished floor (36 inches maximum).

The angle of water stream is non-compliant (15 or 30 degrees allowed)

Spout water flow is below the 4 inch high minimum.

2010 ADAS Section 602.2

Units shall have a clear floor or ground space complying with 305 positioned for a forward approach and centered on the unit. Knee and toe clearance complying with 306 shall be provided.

Citation:

2010 ADAS Section: 602.2

As Built:

Spout front edge of unit 7 inches.

Recommendation:

Provide a hi-lo fountain unit to meet current ADA standards. Spout shall be 15 inches minimum from the vertical support and 5 inches maximum from the front edge of the unit, including bumpers. Spout outlets shall be 36 inches maximum above the finished floor or ground.

Barrier Priority:

4 (Low): Should be completed as soon as possible due to being a technical violation, but may not result in providing greater access to persons with disabilities. (Includes; Findings that are technically violations but provide a moderate to low increase in accessibility compared to the financial impact on the entity)

Department:

N/A

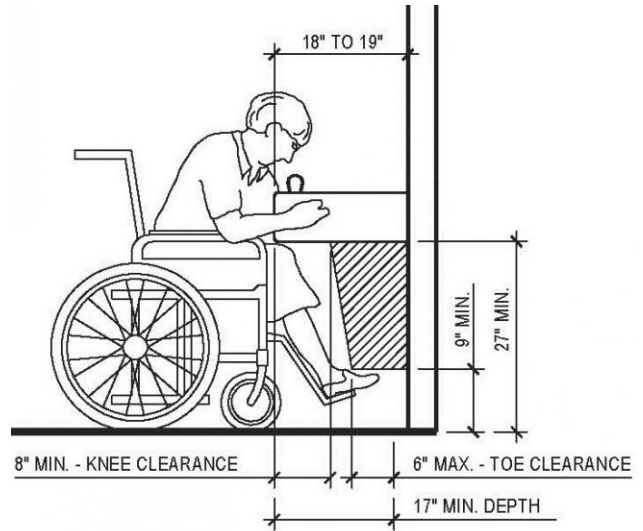
Estimated Remediation Date:

N/A

Notes:

N/A

Finding #37 Continued



Finding 37208 Main Photo

Finding #37 Additional Finding Photos



Finding 37208 Additional Photo



Finding 37208 Additional Photo

Studio Bee to Orchestra Level Hallway

Lat: 38.8308867000, Long: -104.8266744000

Finding: 38

There is no internal accessible route of travel connecting Studio Bee entry/lobby to the Orchestra Level entry/lobby.

An exterior accessible route of travel must be utilized in order to access orchestra level accessible restrooms and all elements from studio bee entry/lobby.

2010 ADAS Section 206.2.4

At least one accessible route shall connect accessible building or facility entrances with all accessible spaces and elements within the building or facility which are otherwise connected by a circulation path unless exempted by 206.2.3 Exceptions 1 through 7.

Citation:

2010 ADAS Section: 206.2.4

As Built:

A stairway connects
Orchestra Level and
Studio Bee

Recommendation:

A lift or ramp is recommended but due to preexisting conditions, meeting current ADA standards may not be feasible at this time. During a major remodel/renovation, compliance will be achieved.

Barrier Priority:

2 (Important): Should be completed as soon as possible. (Includes; Findings that would remove barriers to the greatest number of people to your goods and services)

Department:

N/A

Estimated Remediation Date:

N/A

Notes:

N/A

Finding #38 Continued



Finding #38 Additional Finding Photos



Finding 299022 Additional Photo

CORRECTED

1st Floor, N. side, Studio Bee, Womens Restrooms (Orchestra Level)

Lat: 38.8308900000, Long: -104.8267000000

Finding: 39

The compartment door swings into the required clearance or clear floor space for another fixture.

Toilet compartment doors shall not swing into the clear floor space or clearance required for any fixture.

2010 ADAS Section 604.8.1.2

Toilet compartment doors, including door hardware, shall comply with 404 except that if the approach is to the latch side of the compartment door, clearance between the door side of the compartment and any obstruction shall be 42 inches (1065 mm) minimum. Doors shall be located in the front partition or in the side wall or partition farthest from the water closet. Where located in the front partition, the door opening shall be 4 inches (100 mm) maximum from the side wall or partition farthest from the water closet. Where located in the side wall or partition, the door opening shall be 4 inches (100 mm) maximum from the front partition. The door shall be self-closing. A door pull complying with 404.2.7 shall be placed on both sides of the door near the latch. Toilet compartment doors shall not swing into the minimum required compartment area.

Citation:

2010 ADAS Section: 604.8.1.2

As Built:

Compartment door swings into the required clear floor space of the sink

Recommendation:

Providing the minimum required maneuvering space on the pull side of the door is technically infeasible at this time because existing structural conditions would require removing or altering a load-bearing member that is an essential part of the structural frame; or because other existing physical or site constraints prohibit modification or addition of elements, spaces, or features that are in full and strict compliance with the minimum requirements. Best practice measures are recommended to ensure restroom is accessible to the maximum extent feasible.

Barrier Priority:

3 (Moderate): Should be completed as soon as possible, but there may be other items that will provide greater access to persons with disabilities. (Includes; Findings that have a high financial impact on the entity in relationship to the degree of access provided)

Department:

N/A

Estimated Remediation Date:

N/A

Notes:

N/A

Finding #39 Continued



Finding 298938 Main Photo

CORRECTED

Finding #39 Additional Finding Photos



Finding 298938 Additional Photo



Finding 298938 Additional Photo

CORRECTED

1st Floor, N. side, Studio Bee, Womens Restrooms (Orchestra Level)

Lat: 38.8308900000, Long: -104.8267000000

Finding: 40

The locking/latching hardware is not accessible.

Hand-activated door opening hardware, handles, pulls, latches, locks, and other operating devices on accessible doors shall have a shape that is easy to grasp with one hand and does not require tight grasping, tight pinching or twisting of the wrist to operate.

2010 ADAS Section 604.8.1.2

Toilet compartment doors, including door hardware, shall comply with 404 except that if the approach is to the latch side of the compartment door, clearance between the door side of the compartment and any obstruction shall be 42 inches (1065 mm) minimum. Doors shall be located in the front partition or in the side wall or partition farthest from the water closet. Where located in the front partition, the door opening shall be 4 inches (100 mm) maximum from the side wall or partition farthest from the water closet. Where located in the side wall or partition, the door opening shall be 4 inches (100 mm) maximum from the front partition. The door shall be self-closing. A door pull complying with 404.2.7 shall be placed on both sides of the door near the latch. Toilet compartment doors shall not swing into the minimum required compartment area.

Citation:

2010 ADAS Section: 604.8.1.2

As Built:

Requires tight grasping and twisting of the wrist

Recommendation:

Replace locking hardware with locking lever that does not require tight grasping, tight pinching or twisting of the wrist to operate.

Barrier Priority:

3 (Moderate): Should be completed as soon as possible, but there may be other items that will provide greater access to persons with disabilities. (Includes; Findings that have a high financial impact on the entity in relationship to the degree of access provided)

Department:

N/A

Estimated Remediation Date:

N/A

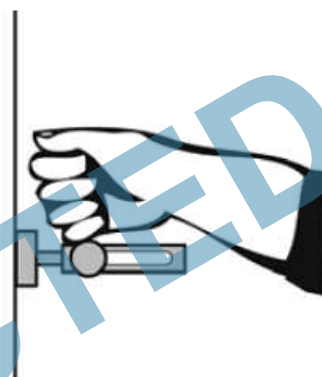
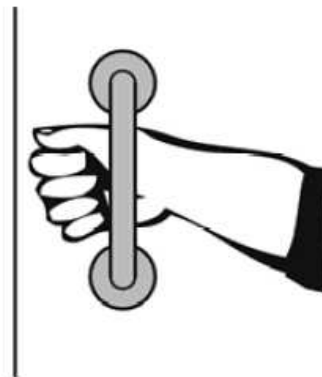
Notes:

N/A

Finding #40 Continued



Finding 298949 Main Photo



CORRECTED

1st Floor, N. side, Studio Bee, Womens Restrooms (Orchestra Level)

Lat: 38.8308900000, Long: -104.8267000000

Finding: 41

The water closet compartment door is missing a loop handle on the outside.

Water closet compartments must be equipped with a door that has a loop or U-shaped handle on both sides of the door immediately below the latch. The latch must be flip-over style, sliding or other hardware not requiring the user to grasp or twist.

2010 ADAS Section 604.8.1.2

Toilet compartment doors, including door hardware, shall comply with 404 except that if the approach is to the latch side of the compartment door, clearance between the door side of the compartment and any obstruction shall be 42 inches (1065 mm) minimum. Doors shall be located in the front partition or in the side wall or partition farthest from the water closet. Where located in the front partition, the door opening shall be 4 inches (100 mm) maximum from the side wall or partition farthest from the water closet. Where located in the side wall or partition, the door opening shall be 4 inches (100 mm) maximum from the front partition. The door shall be self-closing. A door pull complying with 404.2.7 shall be placed on both sides of the door near the latch. Toilet compartment doors shall not swing into the minimum required compartment area.

Citation:

2010 ADAS Section: 604.8.1.2

As Built:

Missing loop handle on outside of compartment door

Recommendation:

Install loop or U-shaped handle on outside of compartment door.

Barrier Priority:

3 (Moderate): Should be completed as soon as possible, but there may be other items that will provide greater access to persons with disabilities. (Includes; Findings that have a high financial impact on the entity in relationship to the degree of access provided)

Department:

N/A

Estimated Remediation Date:

N/A

Notes:

N/A

Finding #41 Continued



Finding 298939 Main Photo

CORRECTED

1st Floor, N. side, Studio Bee, Womens Restrooms (Orchestra Level)

Lat: 38.8308900000, Long: -104.8267000000

Finding: 42

The compartment door is not self closing.

The water closet compartment shall be equipped with a door that has an automatic-closing device.

2010 ADAS Section 604.8.1.2

Toilet compartment doors, including door hardware, shall comply with 404 except that if the approach is to the latch side of the compartment door, clearance between the door side of the compartment and any obstruction shall be 42 inches (1065 mm) minimum. Doors shall be located in the front partition or in the side wall or partition farthest from the water closet. Where located in the front partition, the door opening shall be 4 inches (100 mm) maximum from the side wall or partition farthest from the water closet. Where located in the side wall or partition, the door opening shall be 4 inches (100 mm) maximum from the front partition. The door shall be self-closing. A door pull complying with 404.2.7 shall be placed on both sides of the door near the latch. Toilet compartment doors shall not swing into the minimum required compartment area.

Citation:

2010 ADAS Section: 604.8.1.2

As Built:

Compartment door not self-closing

Recommendation:

Adjust or install automatic closing hinges.

Barrier Priority:

3 (Moderate): Should be completed as soon as possible, but there may be other items that will provide greater access to persons with disabilities. (Includes; Findings that have a high financial impact on the entity in relationship to the degree of access provided)

Department:

N/A

Estimated Remediation Date:

N/A

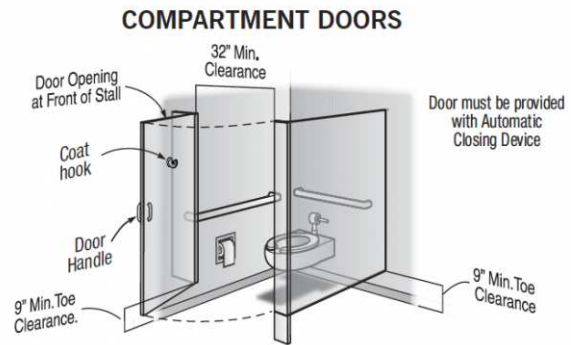
Notes:

N/A

Finding #42 Continued



Finding 298940 Main Photo



CORRECTED

1st Floor, N. side, Studio Bee, Womens Restrooms (Orchestra Level)

Lat: 38.8308900000, Long: -104.8267000000

Finding: 43

The toilet compartment is not wide enough.

Wheelchair accessible compartments shall be 60 inches wide minimum measured perpendicular to the side wall, and 56 inches deep minimum for wall hung water closets and 59 inches deep minimum for floor mounted water closets measured perpendicular to the rear wall.

2010 ADAS Section 604.8.1.1

Wheelchair accessible compartments shall be 60 inches (1525 mm) wide minimum measured perpendicular to the side wall, and 56 inches (1420 mm) deep minimum for wall hung water closets and 59 inches (1500 mm) deep minimum for floor mounted water closets measured perpendicular to the rear wall. Wheelchair accessible compartments for children's use shall be 60 inches (1525 mm) wide minimum measured perpendicular to the side wall, and 59 inches (1500 mm) deep minimum for wall hung and floor mounted water closets measured perpendicular to the rear wall.

Citation:

2010 ADAS Section: 604.8.1.1

As Built:

41.5 inches in width

Recommendation:

Providing the minimum required width clearance to the restroom is technically infeasible at this time because existing structural conditions would require removing or altering a load-bearing member that is an essential part of the structural frame; or because other existing physical or site constraints prohibit modification or addition of elements, spaces, or features that are in full and strict compliance with the minimum requirements. Best practice measures are recommended to ensure restroom is accessible to the maximum extent feasible. Signage will be displayed at restroom door entrance directing customers to wheelchair accessible restrooms located on the south side of the orchestra level.

Barrier Priority:

3 (Moderate): Should be completed as soon as possible, but there may be other items that will provide greater access to persons with disabilities. (Includes; Findings that have a high financial impact on the entity in relationship to the degree of access provided)

Department:

N/A

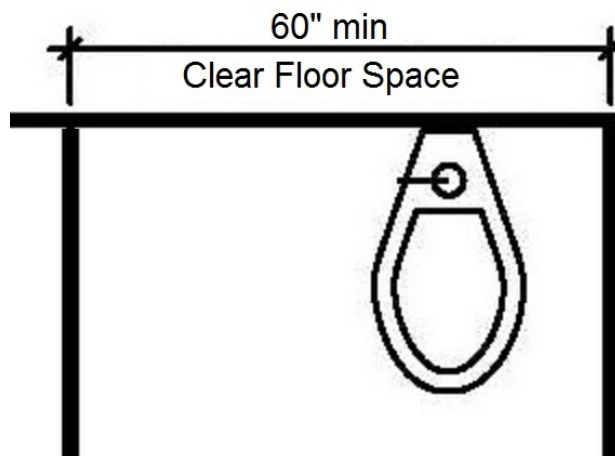
Estimated Remediation Date:

N/A

Notes:

N/A

Finding #43 Continued



Finding 298941 Main Photo

CORRECTED

Finding #43 Additional Finding Photos



Finding 298941 Additional Photo

CORRECTED

1st Floor, N. side, Studio Bee, Womens Restrooms (Orchestra Level)

Lat: 38.8308900000, Long: -104.8267000000

Finding: 44

The side grab bar does not extend far enough from the rear wall.

The side grab bar must extend at least 54 inches minimum beyond the rear wall and start a maximum of 12 inches from the rear wall. A 42 inch grab bar installed the maximum distance from the rear wall (12 inches) will leave the leading end 54 inches from the rear wall. Grab bars shall be installed in a horizontal position, 33 inches minimum and 36 inches maximum above the finish floor measured to the top of the gripping surface.

2010 ADAS Section 604.5.1

The side wall grab bar shall be 42 inches (1065 mm) long minimum, located 12 inches (305 mm) maximum from the rear wall and extending 54 inches (1370 mm) minimum from the rear wall.

Citation:

2010 ADAS Section: 604.5.1

As Built:

Extends 53 inches from rear wall

Recommendation:

Adjust side grab bar not to exceed 12 inches from rear wall. The side grab bar must extend at least 54 inches minimum beyond the rear wall.

Barrier Priority:

3 (Moderate): Should be completed as soon as possible, but there may be other items that will provide greater access to persons with disabilities. (Includes; Findings that have a high financial impact on the entity in relationship to the degree of access provided)

Department:

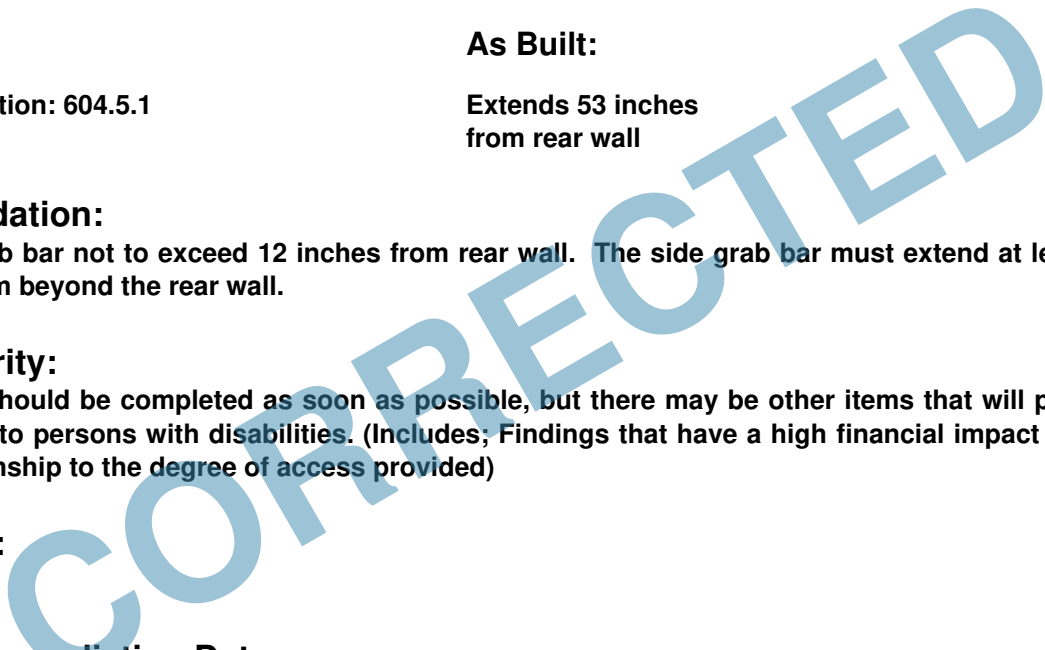
N/A

Estimated Remediation Date:

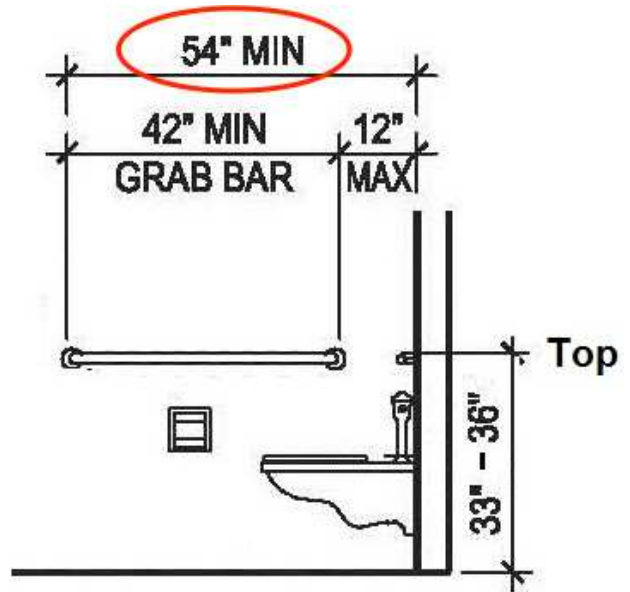
N/A

Notes:

N/A



Finding #44 Continued



Finding 298942 Main Photo

CORRECTED

Finding #44 Additional Finding Photos



Finding 298942 Additional Photo

CORRECTED

1st Floor, N. side, Studio Bee, Womens Restrooms (Orchestra Level)

Lat: 38.8308900000, Long: -104.8267000000

Finding: 45

The toilet is not located within the range allowed from the side wall or partition.

The centerline of the toilet must be 16 to 18 inches from the side wall.

2010 ADAS Section 604.2

The water closet shall be positioned with a wall or partition to the rear and to one side. The centerline of the water closet shall be 16 inches (405 mm) minimum to 18 inches (455 mm) maximum from the side wall or partition, except that the water closet shall be 17 inches (430 mm) minimum and 19 inches (485 mm) maximum from the side wall or partition in the ambulatory accessible toilet compartment specified in 604.8.2. Water closets shall be arranged for a left-hand or right-hand approach.

Citation:

2010 ADAS Section: 604.2

As Built:

**23 inches to centerline
of toilet from side wall**

Recommendation:

Re-position toilet between 16 inches minimum and 18 inches maximum from centerline of toilet to side wall. May require plumbing alteration.

Barrier Priority:

3 (Moderate): Should be completed as soon as possible, but there may be other items that will provide greater access to persons with disabilities. (Includes Findings that have a high financial impact on the entity in relationship to the degree of access provided)

Department:

N/A

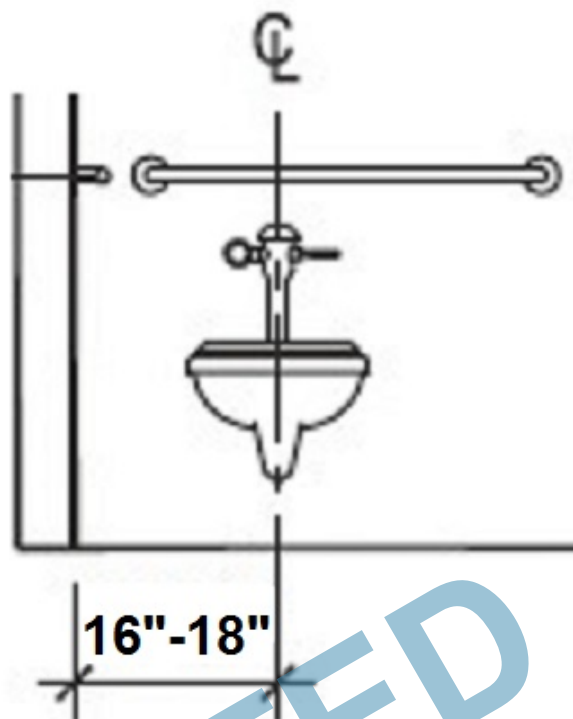
Estimated Remediation Date:

N/A

Notes:

N/A

Finding #45 Continued



Finding 298943 Main Photo

CORRECTED

1st Floor, N. side, Studio Bee, Womens Restrooms (Orchestra Level)

Lat: 38.8308900000, Long: -104.8267000000

Finding: 46

The coat hook is installed greater than 48 inches above the finished floor.

Where a forward reach is unobstructed, the high forward reach shall be 48 inches maximum above the finished floor.

2010 ADAS Section 308.2.1

Where a forward reach is unobstructed, the high forward reach shall be 48 inches (1220 mm) maximum and the low forward reach shall be 15 inches (380 mm) minimum above the finish floor or ground.

Citation:

2010 ADAS Section: 308.2.1

As Built:

60 inches above finished floor

Recommendation:

Lower coat hook 14 inches minimum. Not to exceed a maximum height of 48 inches above finished floor.

Barrier Priority:

3 (Moderate): Should be completed as soon as possible, but there may be other items that will provide greater access to persons with disabilities. (Includes; Findings that have a high financial impact on the entity in relationship to the degree of access provided)

Department:

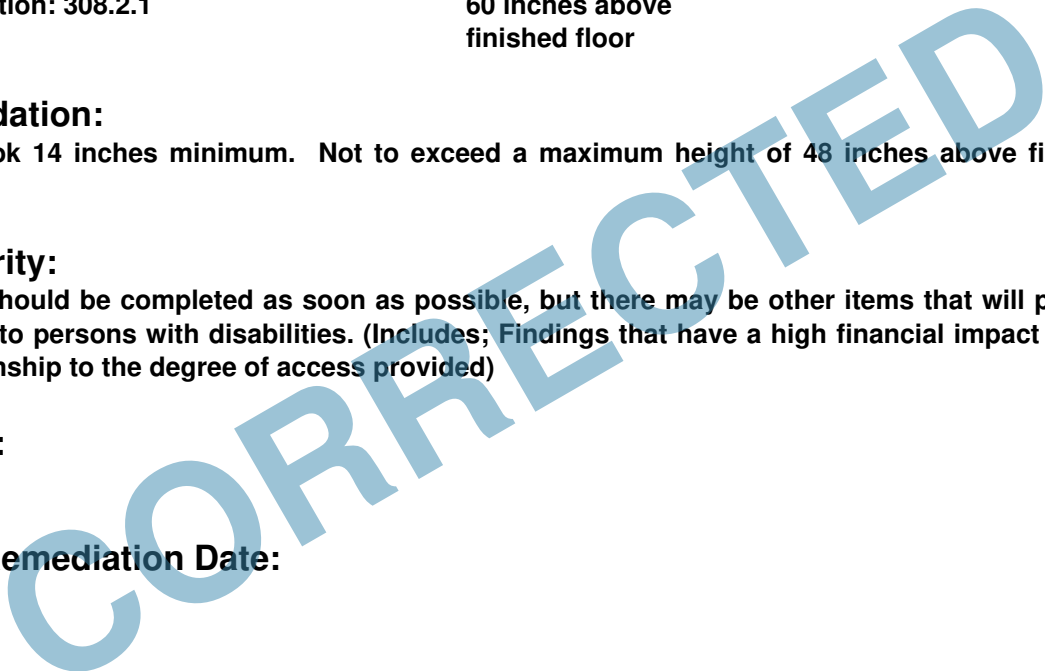
N/A

Estimated Remediation Date:

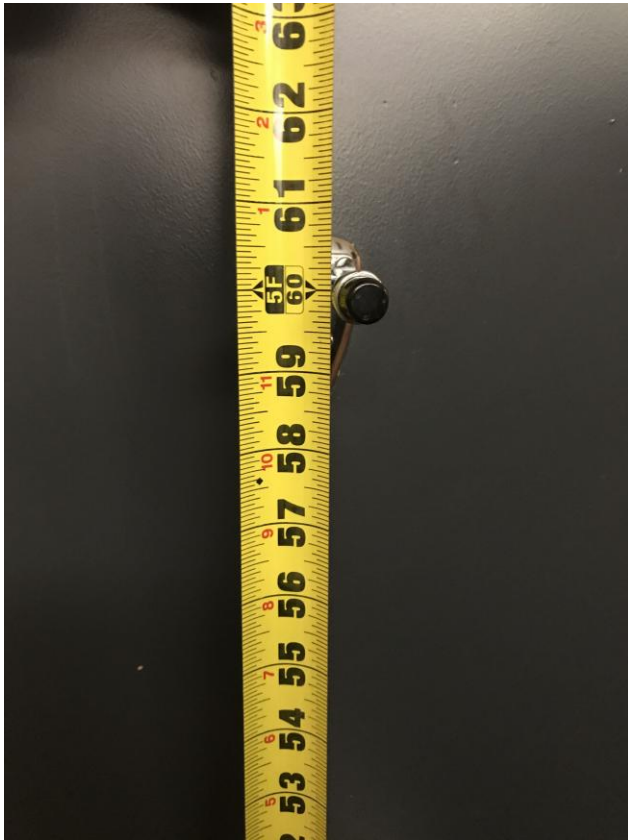
N/A

Notes:

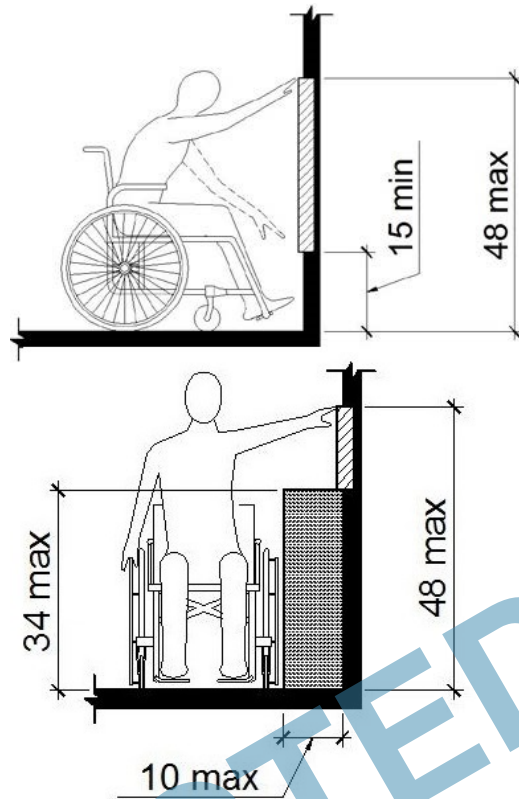
N/A



Finding #46 Continued



Finding 298944 Main Photo



Considered
Unobstructed

CORRECTED

1st Floor, N. side, Studio Bee, Womens Restrooms (Orchestra Level)

Lat: 38.8308900000, Long: -104.8267000000

Finding: 47

The paper towel dispenser's operation mechanism is too high off the floor.

Dispensers must have all operable parts a maximum of 48 inches above the floor.

2010 ADAS Section 308.2.1

Where a forward reach is unobstructed, the high forward reach shall be 48 inches (1220 mm) maximum and the low forward reach shall be 15 inches (380 mm) minimum above the finish floor or ground.

Citation:

2010 ADAS Section: 308.2.1

As Built:

Operable part at 52.5 inches above finished floor

Recommendation:

Lower paper towel dispenser 6 inches to meet compliance. 48 inches maximum height above finished floor for operable parts (knob).

Barrier Priority:

3 (Moderate): Should be completed as soon as possible, but there may be other items that will provide greater access to persons with disabilities. (Includes; Findings that have a high financial impact on the entity in relationship to the degree of access provided)

Department:

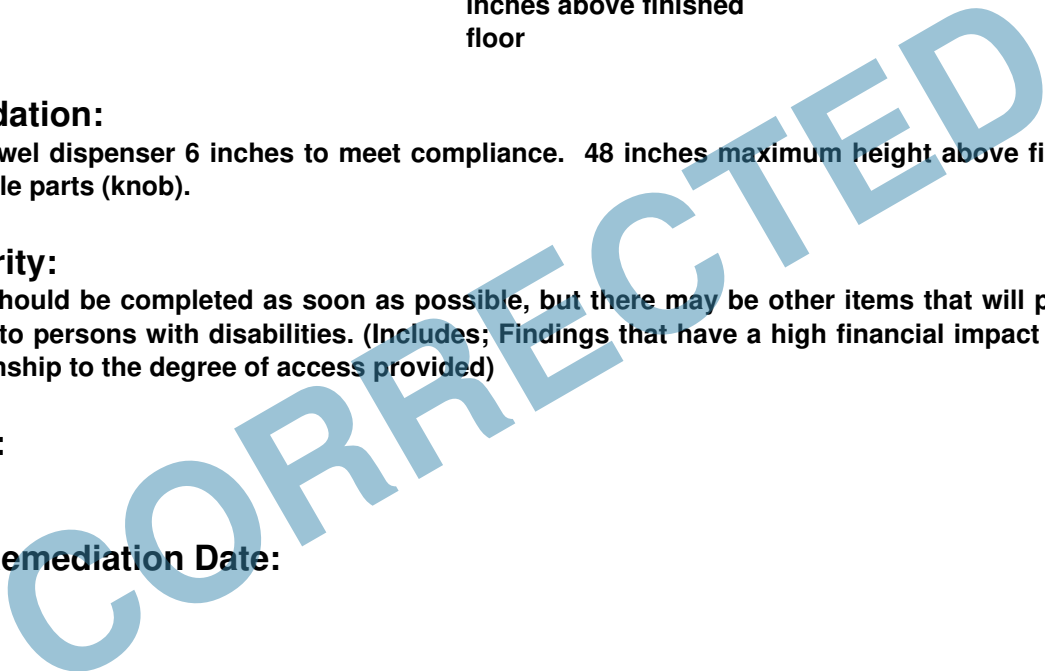
N/A

Estimated Remediation Date:

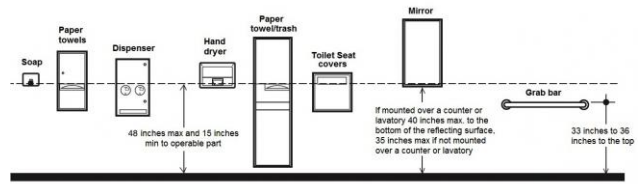
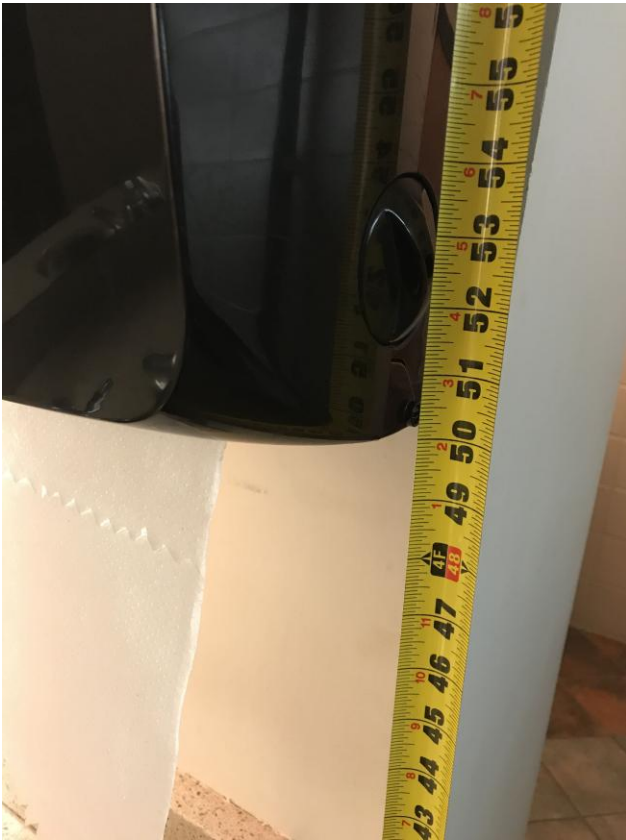
N/A

Notes:

N/A



Finding #47 Continued



Finding 298948 Main Photo

CORRECTED

1st Floor, N. side, Studio Bee, Womens Restrooms (Orchestra Level)

Lat: 38.8308900000, Long: -104.8267000000

Finding: 48

Compliant room identification signs are missing.

Sign shall be located alongside the door at the latch side. Where a tactile sign is provided at double doors with one active leaf, the sign shall be located on the inactive leaf. Where a tactile sign is provided at double doors with two active leafs, the sign shall be located to the right of the right hand door. Where there is no wall space at the latch side of a single door or at the right side of double doors, signs shall be located on the nearest adjacent wall. Signs containing tactile characters shall be located so that a clear floor space of 18 inches minimum by 18 inches minimum, centered on the tactile characters, is provided beyond the arc of any door swing between the closed position and 45 degree open position.

Wall signs identifying permanent rooms and spaces of a building shall be in a horizontal format and the characters raised 1/32 inch minimum and shall be sans serif uppercase characters a minimum of 5/8 inch and a maximum of 2 inches high. Contracted Grade 2 Braille shall be in a horizontal format and shall be placed a minimum of 3/8 inch and a maximum of 1/2 inch directly below the tactile characters; flush left or centered. Dots shall be 1/10 inch on center in each cell with 2/10-inch space between cells, measured from the second column of dots in the first cell to the first column of dots in the second cell. Dots shall be raised a minimum of 1/40 inch above the background. Braille dots shall be domed or rounded. Signs with raised characters or Braille shall be located 48 inches minimum above the finish floor or ground surface, measured from the baseline of the lowest tactile character and 60 inches maximum above the finish floor or ground surface, measured from the baseline of the highest tactile character.

2010 ADAS Section 216.2

Interior and exterior signs identifying permanent rooms and spaces shall comply with 703.1, 703.2, and 703.5. Where pictograms are provided as designations of permanent interior rooms and spaces, the pictograms shall comply with 703.6 and shall have text descriptors complying with 703.2 and 703.5.

2010 ADAS Section 703.4.2

Where a tactile sign is provided at a door, the sign shall be located alongside the door at the latch side. Where a tactile sign is provided at double doors with one active leaf, the sign shall be located on the inactive leaf. Where a tactile sign is provided at double doors with two active leafs, the sign shall be located to the right of the right hand door. Where there is no wall space at the latch side of a single door or at the right side of double doors, signs shall be located on the nearest adjacent wall. Signs containing tactile characters shall be located so that a clear floor space of 18 inches (455 mm) minimum by 18 inches (455 mm) minimum, centered on the tactile characters, is provided beyond the arc of any door swing between the closed position and 45 degree open position.

Citation:

2010 ADAS Section: 216.2, 703.4.2

As Built:

Non compliant
restroom sign

Recommendation:

Place new sign alongside the door at the latch side or nearest adjacent wall. Braille characters shall

measured 48 inches minimum from the baseline of the lowest tactile character and 60 inches maximum above the finish floor or ground surface, measured from the baseline of the highest tactile character.

Barrier Priority:

3 (Moderate): Should be completed as soon as possible, but there may be other items that will provide greater access to persons with disabilities. (Includes; Findings that have a high financial impact on the entity in relationship to the degree of access provided)

Department:

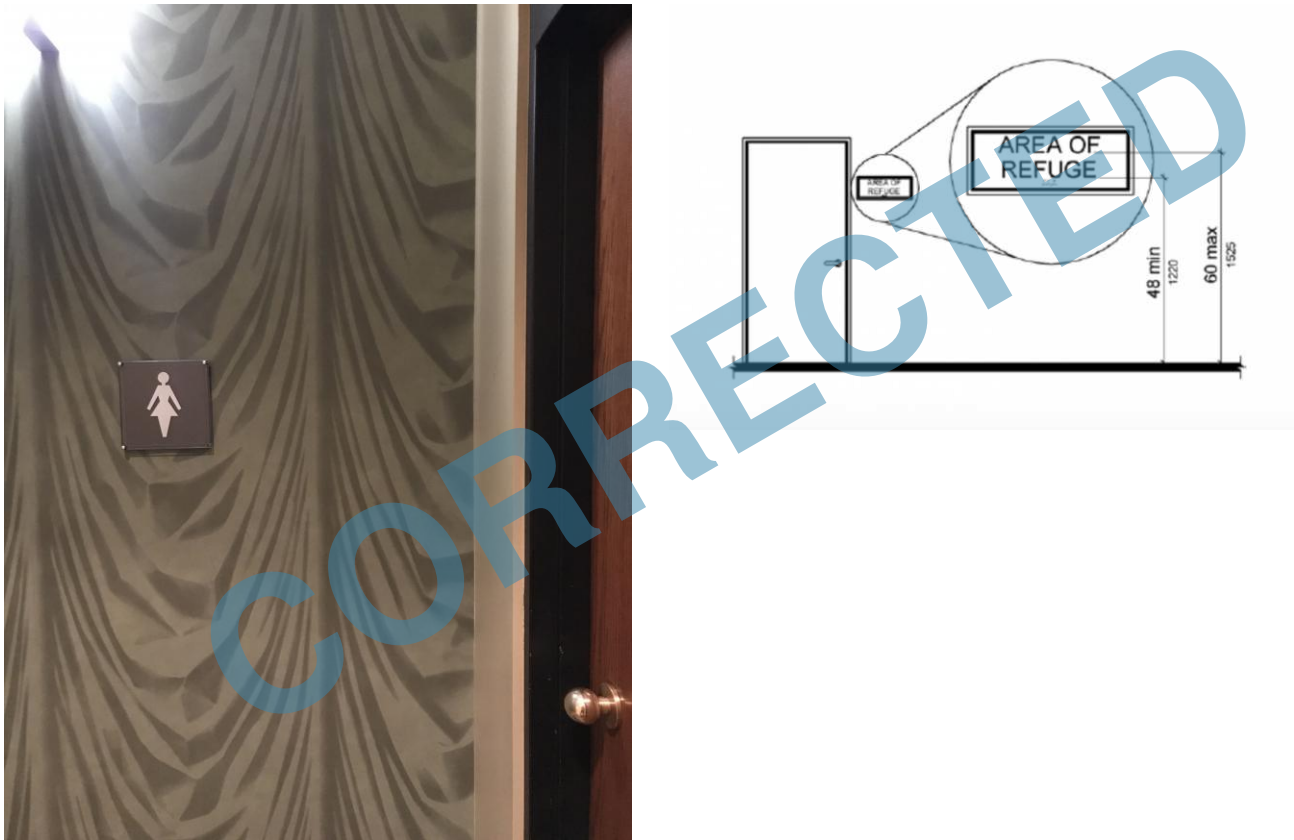
N/A

Estimated Remediation Date:

N/A

Notes:

N/A



Finding 298945 Main Photo

1st Floor, N. side, Studio Bee, Womens Restrooms (Orchestra Level)

Lat: 38.8308900000, Long: -104.8267000000

Finding: 49

Knee clearance at 27 inches off the floor is not 8 inches minimum deep.

The knee clearance, measured from the bottom of the apron or the outside bottom edge of the lavatory, must be 27 inches at a point located 8 inches back from the front edge and continuing to 11 inches minimum in depth at 9 inches above the floor. The top of the lavatory rim may be no higher than 34 inches.

2010 ADAS Section 306.3.3

Where knee clearance is required under an element as part of a clear floor space, the knee clearance shall be 11 inches (280 mm) deep minimum at 9 inches (230 mm) above the finish floor or ground, and 8 inches (205 mm) deep minimum at 27 inches (685 mm) above the finish floor or ground.

Citation:

2010 ADAS Section: 306.3.3

As Built:

No knee clearance provided

Recommendation:

Adjust or replace lavatory with one that provides a minimum height from the bottom edge of no less than 27 inches above finished floor and 8 inches minimum in depth for knee clearance.

Barrier Priority:

3 (Moderate): Should be completed as soon as possible, but there may be other items that will provide greater access to persons with disabilities. (Includes; Findings that have a high financial impact on the entity in relationship to the degree of access provided)

Department:

N/A

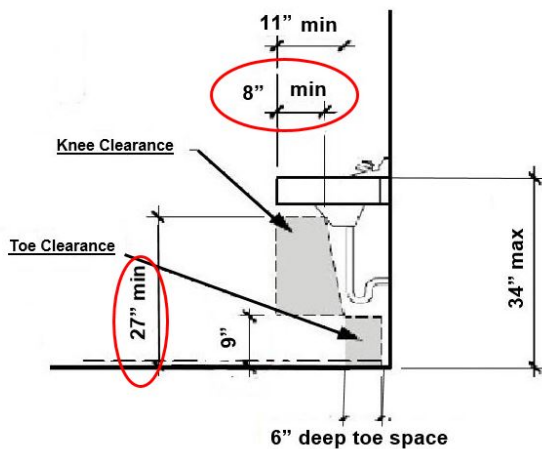
Estimated Remediation Date:

N/A

Notes:

N/A

Finding #49 Continued



Finding 298947 Main Photo

CORRECTED

Finding #49 Additional Finding Photos



Finding 298947 Additional Photo

CORRECTED

1st Floor, N. side, Studio Bee, Womens Restrooms (Orchestra Level)

Lat: 38.8308900000, Long: -104.8267000000

Finding: 50

The door/gate operating hardware is not accessible.

Hand-activated door/gate opening hardware, handles, pulls, latches, locks, and other operating devices on accessible doors shall have a shape that is easy to grasp with one hand and does not require tight grasping, tight pinching or twisting of the wrist to operate. Hardware shall be 34 inches minimum and 48 inches maximum above the finish floor or ground.

2010 ADAS Section 404.2.7

Handles, pulls, latches, locks, and other operable parts on doors and gates shall comply with 309.4. Operable parts of such hardware shall be 34 inches (865 mm) minimum and 48 inches (1220 mm) maximum above the finish floor or ground. Where sliding doors are in the fully open position, operating hardware shall be exposed and usable from both sides.

Citation:

2010 ADAS Section: 404.2.7

As Built:

Door knob requires grasping and twisting of the wrist

Recommendation:

Install lever type hardware that does not require tight grasping, pinching or twisting of the wrist.

Barrier Priority:

3 (Moderate): Should be completed as soon as possible, but there may be other items that will provide greater access to persons with disabilities. (Includes; Findings that have a high financial impact on the entity in relationship to the degree of access provided)

Department:

N/A

Estimated Remediation Date:

N/A

Notes:

N/A

Finding #50 Continued



Finding 298946 Main Photo

CORRECTED

1st Floor, N. side, Studio Bee, Womens Restrooms (Orchestra Level)

Lat: 38.8308867000, Long: -104.8266744000

Finding: 51

Automatic door openers are not required under ADA standards but highly recommended due to building structural barriers/constraints that predate 1991 ADA Standards.

2010 ADAS Section Recommended
None

Citation:

2010 ADAS Section: Recommended

As Built:

Door knob requires
tight grasping and
twisting of the wrist

Recommendation:

Install automatic door opener to ensure restroom is compliant to the extent feasible due to preexisting physical barriers and structural constraints.

Barrier Priority:

1 (High): Should be completed immediately. (Includes; Findings that have little or no cost, were in violation of the codes at the time of construction, or pose an imminent safety threat)

Department:

N/A

Estimated Remediation Date:

N/A

Notes:

N/A

CORRECTED

1st Floor, N. side, Studio Bee, Mens Restrooms (Orchestra Level)

Lat: 38.8308900000, Long: -104.8267000000

Finding: 52

The door/gate operating hardware is not accessible.

Hand-activated door/gate opening hardware, handles, pulls, latches, locks, and other operating devices on accessible doors shall have a shape that is easy to grasp with one hand and does not require tight grasping, tight pinching or twisting of the wrist to operate. Hardware shall be 34 inches minimum and 48 inches maximum above the finish floor or ground.

2010 ADAS Section 404.2.7

Handles, pulls, latches, locks, and other operable parts on doors and gates shall comply with 309.4. Operable parts of such hardware shall be 34 inches (865 mm) minimum and 48 inches (1220 mm) maximum above the finish floor or ground. Where sliding doors are in the fully open position, operating hardware shall be exposed and usable from both sides.

Citation:

2010 ADAS Section: 404.2.7

As Built:

Door knob requires grasping and twisting of the wrist

Recommendation:

Install lever type hardware that does not require tight grasping, pinching or twisting of the wrist.

Barrier Priority:

3 (Moderate): Should be completed as soon as possible, but there may be other items that will provide greater access to persons with disabilities. (Includes; Findings that have a high financial impact on the entity in relationship to the degree of access provided)

Department:

N/A

Estimated Remediation Date:

N/A

Notes:

N/A

Finding #52 Continued



Finding 298951 Main Photo

1st Floor, N. side, Studio Bee, Mens Restrooms (Orchestra Level)

Lat: 38.8308867000, Long: -104.8266744000

Finding: 53

The door exceeds the maximum pressure to open the door.

Interior doors shall have a maximum opening force of 5 pounds.

These forces do not apply to the force required to retract latch bolts or disengage other devices that hold the door or gate in a closed position. Door closers and gate closers shall be adjusted so that from an open position of 90 degrees, the time required to move the door to a position of 12 degrees from the latch is 5 seconds minimum.

Door and gate spring hinges shall be adjusted so that from the open position of 70 degrees, the door or gate shall move to the closed position in 1.5 seconds minimum.

2010 ADAS Section 404.2.9

Fire doors shall have a minimum opening force allowable by the appropriate administrative authority. The force for pushing or pulling open a door or gate other than fire doors shall be as follows: 1. Interior hinged doors and gates: 5 pounds (22.2 N) maximum. 2. Sliding or folding doors: 5 pounds (22.2 N) maximum. These forces do not apply to the force required to retract latch bolts or disengage other devices that hold the door or gate in a closed position.

Citation:

2010 ADAS Section: 404.2.9

As Built:

Requires 9 pounds of pressure

Recommendation:

Adjust door closer to 5 lbs. of pressure or less.

Barrier Priority:

3 (Moderate): Should be completed as soon as possible, but there may be other items that will provide greater access to persons with disabilities. (Includes; Findings that have a high financial impact on the entity in relationship to the degree of access provided)

Department:

N/A

Estimated Remediation Date:

N/A

Notes:

N/A

Finding #53 Continued



Finding 298952 Main Photo

CORRECTED

1st Floor, N. side, Studio Bee, Mens Restrooms (Orchestra Level)

Lat: 38.8308900000, Long: -104.8267000000

Finding: 54

The compartment door swings into the required clearance or clear floor space for another fixture.

Toilet compartment doors shall not swing into the clear floor space or clearance required for any fixture.

2010 ADAS Section 604.8.1.2

Toilet compartment doors, including door hardware, shall comply with 404 except that if the approach is to the latch side of the compartment door, clearance between the door side of the compartment and any obstruction shall be 42 inches (1065 mm) minimum. Doors shall be located in the front partition or in the side wall or partition farthest from the water closet. Where located in the front partition, the door opening shall be 4 inches (100 mm) maximum from the side wall or partition farthest from the water closet. Where located in the side wall or partition, the door opening shall be 4 inches (100 mm) maximum from the front partition. The door shall be self-closing. A door pull complying with 404.2.7 shall be placed on both sides of the door near the latch. Toilet compartment doors shall not swing into the minimum required compartment area.

Citation:

2010 ADAS Section: 604.8.1.2

As Built:

Compartment door swings into the required clear floor space of the sink

Recommendation:

Providing the minimum required maneuvering space on the pull side of the door is technically infeasible at this time because existing structural conditions would require removing or altering a load-bearing member that is an essential part of the structural frame; or because other existing physical or site constraints prohibit modification or addition of elements, spaces, or features that are in full and strict compliance with the minimum requirements. Best practice measures are recommended to ensure restroom is accessible to the maximum extent feasible.

Barrier Priority:

3 (Moderate): Should be completed as soon as possible, but there may be other items that will provide greater access to persons with disabilities. (Includes; Findings that have a high financial impact on the entity in relationship to the degree of access provided)

Department:

N/A

Estimated Remediation Date:

N/A

Notes:

N/A

Finding #54 Continued



Finding 298954 Main Photo

CORRECTED

1st Floor, N. side, Studio Bee, Mens Restrooms (Orchestra Level)

Lat: 38.8308900000, Long: -104.8267000000

Finding: 55

The water closet compartment door is missing a loop handle on the outside.

Water closet compartments must be equipped with a door that has a loop or U-shaped handle on both sides of the door immediately below the latch. The latch must be flip-over style, sliding or other hardware not requiring the user to grasp or twist.

2010 ADAS Section 604.8.1.2

Toilet compartment doors, including door hardware, shall comply with 404 except that if the approach is to the latch side of the compartment door, clearance between the door side of the compartment and any obstruction shall be 42 inches (1065 mm) minimum. Doors shall be located in the front partition or in the side wall or partition farthest from the water closet. Where located in the front partition, the door opening shall be 4 inches (100 mm) maximum from the side wall or partition farthest from the water closet. Where located in the side wall or partition, the door opening shall be 4 inches (100 mm) maximum from the front partition. The door shall be self-closing. A door pull complying with 404.2.7 shall be placed on both sides of the door near the latch. Toilet compartment doors shall not swing into the minimum required compartment area.

Citation:

2010 ADAS Section: 604.8.1.2

As Built:

Missing loop handle on outside of compartment door

Recommendation:

Install loop or U-shaped handle on outside of compartment door.

Barrier Priority:

3 (Moderate): Should be completed as soon as possible, but there may be other items that will provide greater access to persons with disabilities. (Includes; Findings that have a high financial impact on the entity in relationship to the degree of access provided)

Department:

N/A

Estimated Remediation Date:

N/A

Notes:

N/A

Finding #55 Continued



Finding 298955 Main Photo

CORRECTED

1st Floor, N. side, Studio Bee, Mens Restrooms (Orchestra Level)

Lat: 38.8308900000, Long: -104.8267000000

Finding: 56

The compartment door is not self closing.

The water closet compartment shall be equipped with a door that has an automatic-closing device.

2010 ADAS Section 604.8.1.2

Toilet compartment doors, including door hardware, shall comply with 404 except that if the approach is to the latch side of the compartment door, clearance between the door side of the compartment and any obstruction shall be 42 inches (1065 mm) minimum. Doors shall be located in the front partition or in the side wall or partition farthest from the water closet. Where located in the front partition, the door opening shall be 4 inches (100 mm) maximum from the side wall or partition farthest from the water closet. Where located in the side wall or partition, the door opening shall be 4 inches (100 mm) maximum from the front partition. The door shall be self-closing. A door pull complying with 404.2.7 shall be placed on both sides of the door near the latch. Toilet compartment doors shall not swing into the minimum required compartment area.

Citation:

2010 ADAS Section: 604.8.1.2

As Built:

Compartment door not self-closing

Recommendation:

Adjust or install automatic closing hinges.

Barrier Priority:

3 (Moderate): Should be completed as soon as possible, but there may be other items that will provide greater access to persons with disabilities. (Includes; Findings that have a high financial impact on the entity in relationship to the degree of access provided)

Department:

N/A

Estimated Remediation Date:

N/A

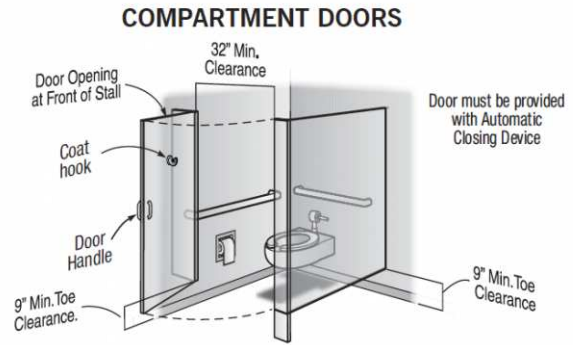
Notes:

N/A

Finding #56 Continued



Finding 298956 Main Photo



CORRECTED

1st Floor, N. side, Studio Bee, Mens Restrooms (Orchestra Level)

Lat: 38.8308900000, Long: -104.8267000000

Finding: 57

The locking/latching hardware is not accessible.

Hand-activated door opening hardware, handles, pulls, latches, locks, and other operating devices on accessible doors shall have a shape that is easy to grasp with one hand and does not require tight grasping, tight pinching or twisting of the wrist to operate.

2010 ADAS Section 604.8.1.2

Toilet compartment doors, including door hardware, shall comply with 404 except that if the approach is to the latch side of the compartment door, clearance between the door side of the compartment and any obstruction shall be 42 inches (1065 mm) minimum. Doors shall be located in the front partition or in the side wall or partition farthest from the water closet. Where located in the front partition, the door opening shall be 4 inches (100 mm) maximum from the side wall or partition farthest from the water closet. Where located in the side wall or partition, the door opening shall be 4 inches (100 mm) maximum from the front partition. The door shall be self-closing. A door pull complying with 404.2.7 shall be placed on both sides of the door near the latch. Toilet compartment doors shall not swing into the minimum required compartment area.

Citation:

2010 ADAS Section: 604.8.1.2

As Built:

Requires tight grasping and twisting of the wrist

Recommendation:

Replace locking hardware with locking lever that does not require tight grasping, tight pinching or twisting of the wrist to operate.

Barrier Priority:

3 (Moderate): Should be completed as soon as possible, but there may be other items that will provide greater access to persons with disabilities. (Includes; Findings that have a high financial impact on the entity in relationship to the degree of access provided)

Department:

N/A

Estimated Remediation Date:

N/A

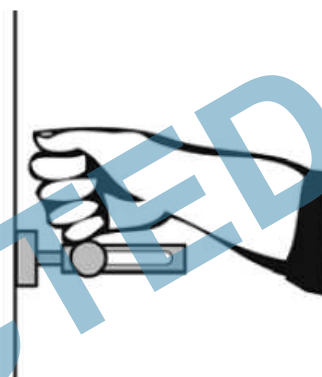
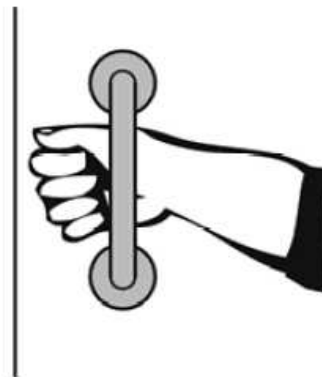
Notes:

N/A

Finding #57 Continued



Finding 298957 Main Photo



CORRECTED

1st Floor, N. side, Studio Bee, Mens Restrooms (Orchestra Level)

Lat: 38.8308900000, Long: -104.8267000000

Finding: 58

The coat hook is installed greater than 48 inches above the finished floor.

Where a forward reach is unobstructed, the high forward reach shall be 48 inches maximum above the finished floor.

2010 ADAS Section 308.2.1

Where a forward reach is unobstructed, the high forward reach shall be 48 inches (1220 mm) maximum and the low forward reach shall be 15 inches (380 mm) minimum above the finish floor or ground.

Citation:

2010 ADAS Section: 308.2.1

As Built:

61 inches above finished floor

Recommendation:

Lower coat hook 16 inches minimum or install another coat hook. Not to exceed a maximum height of 48 inches above finished floor.

Barrier Priority:

3 (Moderate): Should be completed as soon as possible, but there may be other items that will provide greater access to persons with disabilities. (Includes; Findings that have a high financial impact on the entity in relationship to the degree of access provided)

Department:

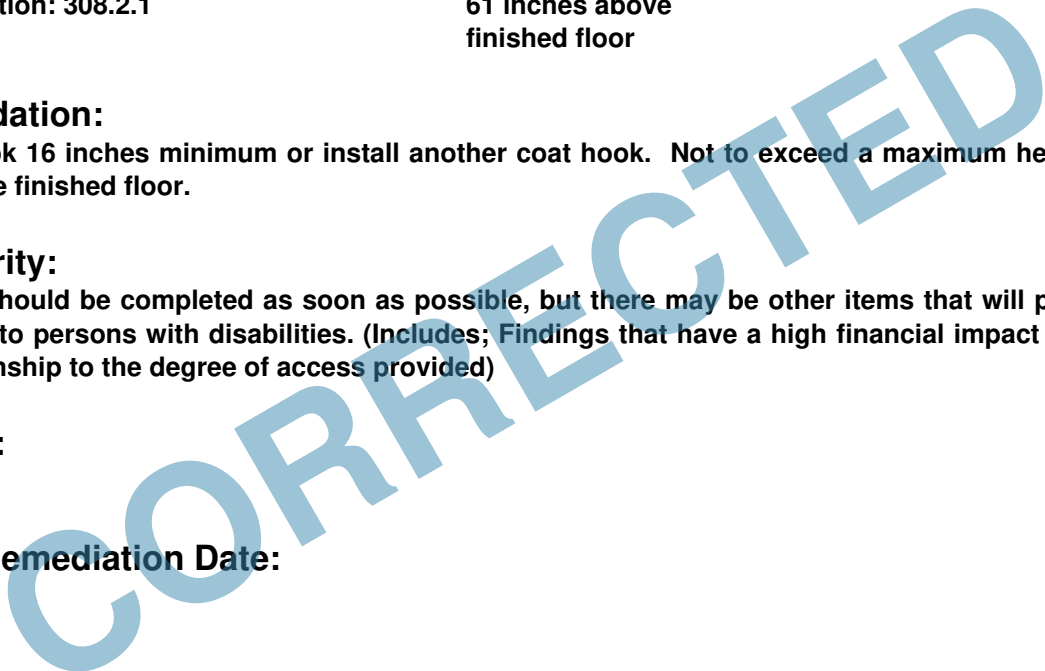
N/A

Estimated Remediation Date:

N/A

Notes:

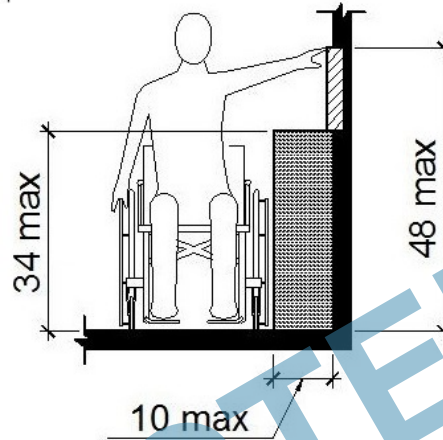
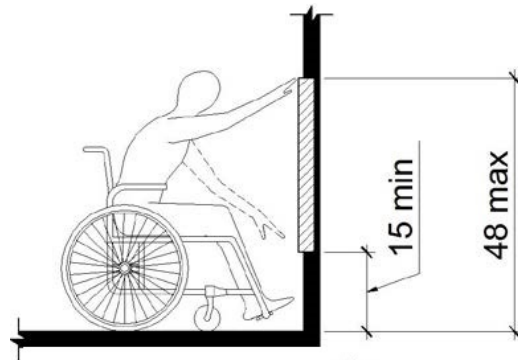
N/A



Finding #58 Continued



Finding 298958 Main Photo



Considered
Unobstructed

CORRECTED

1st Floor, N. side, Studio Bee, Mens Restrooms (Orchestra Level)

Lat: 38.8308900000, Long: -104.8267000000

Finding: 59

The toilet compartment is not wide enough.

Wheelchair accessible compartments shall be 60 inches wide minimum measured perpendicular to the side wall, and 56 inches deep minimum for wall hung water closets and 59 inches deep minimum for floor mounted water closets measured perpendicular to the rear wall.

2010 ADAS Section 604.8.1.1

Wheelchair accessible compartments shall be 60 inches (1525 mm) wide minimum measured perpendicular to the side wall, and 56 inches (1420 mm) deep minimum for wall hung water closets and 59 inches (1500 mm) deep minimum for floor mounted water closets measured perpendicular to the rear wall. Wheelchair accessible compartments for children's use shall be 60 inches (1525 mm) wide minimum measured perpendicular to the side wall, and 59 inches (1500 mm) deep minimum for wall hung and floor mounted water closets measured perpendicular to the rear wall.

Citation:

2010 ADAS Section: 604.8.1.1

As Built:

41 inches in width

Recommendation:

Providing the minimum required width clearance to the restroom is technically infeasible at this time because existing structural conditions would require removing or altering a load-bearing member that is an essential part of the structural frame; or because other existing physical or site constraints prohibit modification or addition of elements, spaces, or features that are in full and strict compliance with the minimum requirements. Best practice measures are recommended to ensure restroom is accessible to the maximum extent feasible. Signage will be displayed at restroom door entrance directing customers to wheelchair accessible restrooms located on the south side of the orchestra level.

Barrier Priority:

3 (Moderate): Should be completed as soon as possible, but there may be other items that will provide greater access to persons with disabilities. (Includes; Findings that have a high financial impact on the entity in relationship to the degree of access provided)

Department:

N/A

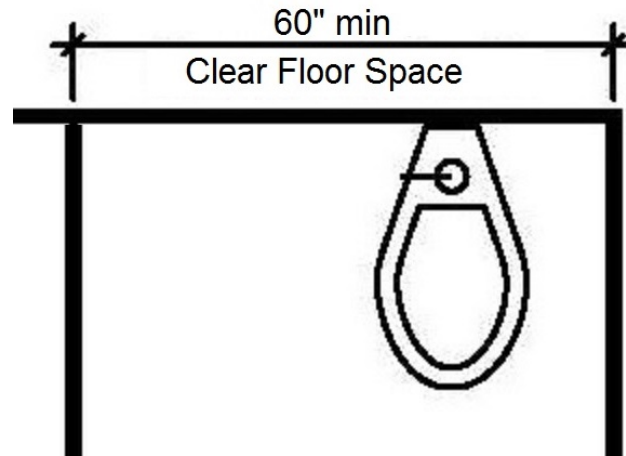
Estimated Remediation Date:

N/A

Notes:

N/A

Finding #59 Continued



Finding 298959 Main Photo

CORRECTED

1st Floor, N. side, Studio Bee, Mens Restrooms (Orchestra Level)

Lat: 38.8308900000, Long: -104.8267000000

Finding: 60

The side grab bar does not extend far enough from the rear wall.

The side grab bar must extend at least 54 inches minimum beyond the rear wall and start a maximum of 12 inches from the rear wall. A 42 inch grab bar installed the maximum distance from the rear wall (12 inches) will leave the leading end 54 inches from the rear wall. Grab bars shall be installed in a horizontal position, 33 inches minimum and 36 inches maximum above the finish floor measured to the top of the gripping surface.

2010 ADAS Section 604.5.1

The side wall grab bar shall be 42 inches (1065 mm) long minimum, located 12 inches (305 mm) maximum from the rear wall and extending 54 inches (1370 mm) minimum from the rear wall.

Citation:

2010 ADAS Section: 604.5.1

As Built:

Extends 53 inches from rear wall

Recommendation:

Adjust side grab bar not to exceed 12 inches from rear wall. The side grab bar must extend at least 54 inches minimum beyond the rear wall.

Barrier Priority:

3 (Moderate): Should be completed as soon as possible, but there may be other items that will provide greater access to persons with disabilities. (Includes; Findings that have a high financial impact on the entity in relationship to the degree of access provided)

Department:

N/A

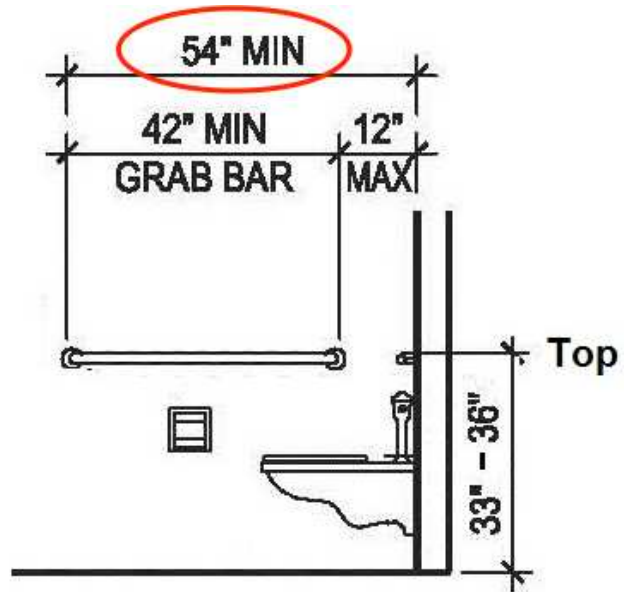
Estimated Remediation Date:

N/A

Notes:

N/A

Finding #60 Continued



Finding 298960 Main Photo

Finding #60 Additional Finding Photos



Finding 298960 Additional Photo

CORRECTED

1st Floor, N. side, Studio Bee, Mens Restrooms (Orchestra Level)

Lat: 38.8308900000, Long: -104.8267000000

Finding: 61

The toilet is not located within the range allowed from the side wall or partition.

The centerline of the toilet must be 16 to 18 inches from the side wall.

2010 ADAS Section 604.2

The water closet shall be positioned with a wall or partition to the rear and to one side. The centerline of the water closet shall be 16 inches (405 mm) minimum to 18 inches (455 mm) maximum from the side wall or partition, except that the water closet shall be 17 inches (430 mm) minimum and 19 inches (485 mm) maximum from the side wall or partition in the ambulatory accessible toilet compartment specified in 604.8.2. Water closets shall be arranged for a left-hand or right-hand approach.

Citation:

2010 ADAS Section: 604.2

As Built:

19 inches to centerline
of toilet from side wall

Recommendation:

Re-position toilet between 16 inches minimum and 18 inches maximum from centerline of toilet to side wall. May require plumbing alteration.

Barrier Priority:

3 (Moderate): Should be completed as soon as possible, but there may be other items that will provide greater access to persons with disabilities. (Includes Findings that have a high financial impact on the entity in relationship to the degree of access provided)

Department:

N/A

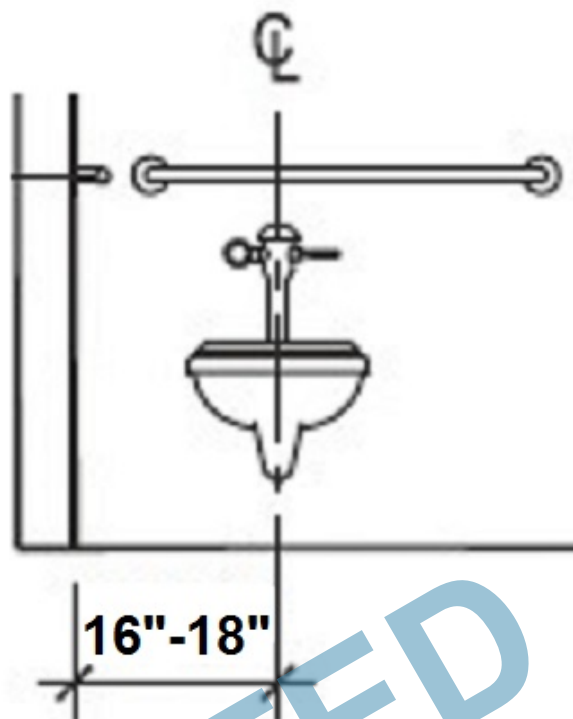
Estimated Remediation Date:

N/A

Notes:

N/A

Finding #61 Continued



Finding 298961 Main Photo

CORRECTED

1st Floor, N. side, Studio Bee, Mens Restrooms (Orchestra Level)

Lat: 38.8308900000, Long: -104.8267000000

Finding: 62

Compliant room identification signs are missing.

Sign shall be located alongside the door at the latch side. Where a tactile sign is provided at double doors with one active leaf, the sign shall be located on the inactive leaf. Where a tactile sign is provided at double doors with two active leafs, the sign shall be located to the right of the right hand door. Where there is no wall space at the latch side of a single door or at the right side of double doors, signs shall be located on the nearest adjacent wall. Signs containing tactile characters shall be located so that a clear floor space of 18 inches minimum by 18 inches minimum, centered on the tactile characters, is provided beyond the arc of any door swing between the closed position and 45 degree open position.

Wall signs identifying permanent rooms and spaces of a building shall be in a horizontal format and the characters raised 1/32 inch minimum and shall be sans serif uppercase characters a minimum of 5/8 inch and a maximum of 2 inches high. Contracted Grade 2 Braille shall be in a horizontal format and shall be placed a minimum of 3/8 inch and a maximum of 1/2 inch directly below the tactile characters; flush left or centered. Dots shall be 1/10 inch on center in each cell with 2/10-inch space between cells, measured from the second column of dots in the first cell to the first column of dots in the second cell. Dots shall be raised a minimum of 1/40 inch above the background. Braille dots shall be domed or rounded. Signs with raised characters or Braille shall be located 48 inches minimum above the finish floor or ground surface, measured from the baseline of the lowest tactile character and 60 inches maximum above the finish floor or ground surface, measured from the baseline of the highest tactile character.

2010 ADAS Section 216.2

Interior and exterior signs identifying permanent rooms and spaces shall comply with 703.1, 703.2, and 703.5. Where pictograms are provided as designations of permanent interior rooms and spaces, the pictograms shall comply with 703.6 and shall have text descriptors complying with 703.2 and 703.5.

2010 ADAS Section 703.4.2

Where a tactile sign is provided at a door, the sign shall be located alongside the door at the latch side. Where a tactile sign is provided at double doors with one active leaf, the sign shall be located on the inactive leaf. Where a tactile sign is provided at double doors with two active leafs, the sign shall be located to the right of the right hand door. Where there is no wall space at the latch side of a single door or at the right side of double doors, signs shall be located on the nearest adjacent wall. Signs containing tactile characters shall be located so that a clear floor space of 18 inches (455 mm) minimum by 18 inches (455 mm) minimum, centered on the tactile characters, is provided beyond the arc of any door swing between the closed position and 45 degree open position.

Citation:

2010 ADAS Section: 216.2, 703.4.2

As Built:

Non compliant
restroom sign

Recommendation:

Place new sign alongside the door at the latch side or nearest adjacent wall. Braille characters shall

measured 48 inches minimum from the baseline of the lowest tactile character and 60 inches maximum above the finish floor or ground surface, measured from the baseline of the highest tactile character.

Barrier Priority:

3 (Moderate): Should be completed as soon as possible, but there may be other items that will provide greater access to persons with disabilities. (Includes; Findings that have a high financial impact on the entity in relationship to the degree of access provided)

Department:

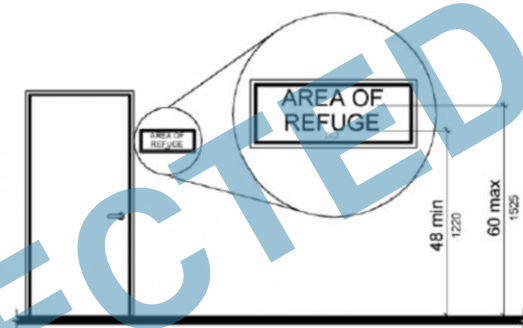
N/A

Estimated Remediation Date:

N/A

Notes:

N/A



Finding 298950 Main Photo

1st Floor, N. side, Studio Bee, Mens Restrooms (Orchestra Level)

Lat: 38.8308900000, Long: -104.8267000000

Finding: 63

Knee clearance at 27 inches off the floor is not 8 inches minimum deep.

The knee clearance, measured from the bottom of the apron or the outside bottom edge of the lavatory, must be 27 inches at a point located 8 inches back from the front edge and continuing to 11 inches minimum in depth at 9 inches above the floor. The top of the lavatory rim may be no higher than 34 inches.

2010 ADAS Section 306.3.3

Where knee clearance is required under an element as part of a clear floor space, the knee clearance shall be 11 inches (280 mm) deep minimum at 9 inches (230 mm) above the finish floor or ground, and 8 inches (205 mm) deep minimum at 27 inches (685 mm) above the finish floor or ground.

Citation:

2010 ADAS Section: 306.3.3

As Built:

No knee clearance provided

Recommendation:

Adjust or replace lavatory with one that provides a minimum height from the bottom edge of no less than 27 inches above finished floor and 8 inches minimum in depth for knee clearance.

Barrier Priority:

3 (Moderate): Should be completed as soon as possible, but there may be other items that will provide greater access to persons with disabilities. (Includes; Findings that have a high financial impact on the entity in relationship to the degree of access provided)

Department:

N/A

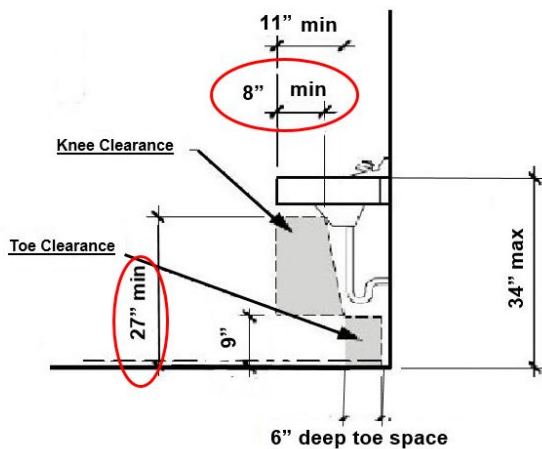
Estimated Remediation Date:

N/A

Notes:

N/A

Finding #63 Continued



Finding 298953 Main Photo

CORRECTED

Finding #63 Additional Finding Photos



Finding 298953 Additional Photo

CORRECTED

1st Floor, N. side, Studio Bee, Mens Restrooms (Orchestra Level)

Lat: 38.8308900000, Long: -104.8267000000

Finding: 64

The flush handle is located on the wrong side of the toilet.

Controls shall be operable with one hand and shall not require tight grasping, pinching or twisting. Controls for the flush valves shall be mounted on the wide side of toilet areas, no more than 48 inches above the floor.

2010 ADAS Section 604.6

Flush controls shall be hand operated or automatic. Hand operated flush controls shall comply with 309. Flush controls shall be located on the open side of the water closet except in ambulatory accessible compartments complying with 604.8.2.

Citation:

2010 ADAS Section: 604.6

As Built:

Flush handle located on wrong side

Recommendation:

Relocate flush handle to opposite side (open side of toilet area).

Barrier Priority:

3 (Moderate): Should be completed as soon as possible, but there may be other items that will provide greater access to persons with disabilities. (Includes; Findings that have a high financial impact on the entity in relationship to the degree of access provided)

Department:

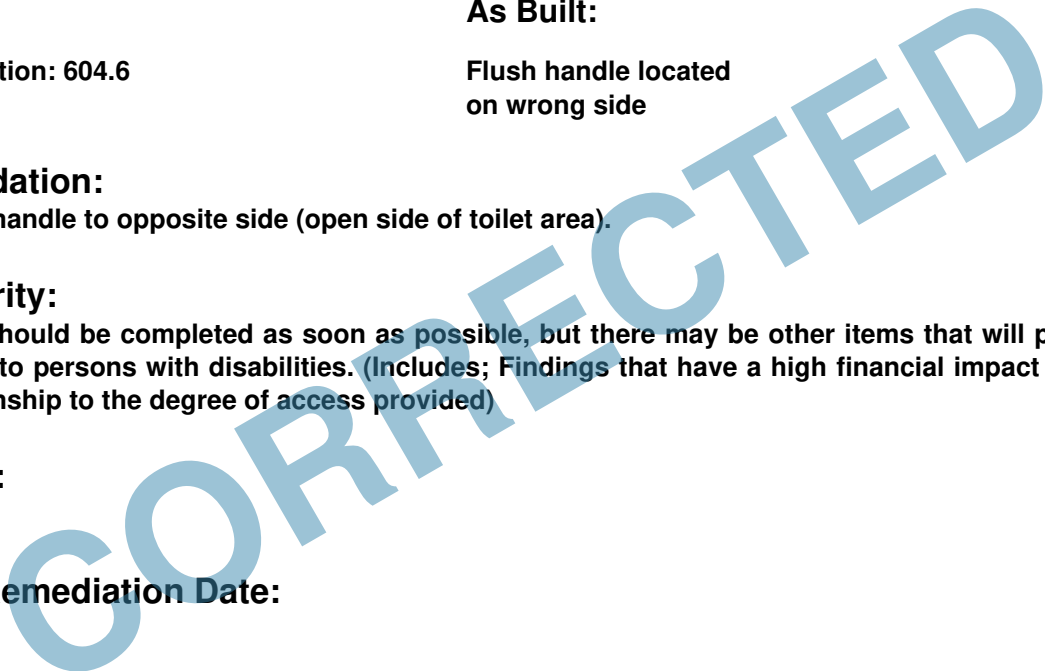
N/A

Estimated Remediation Date:

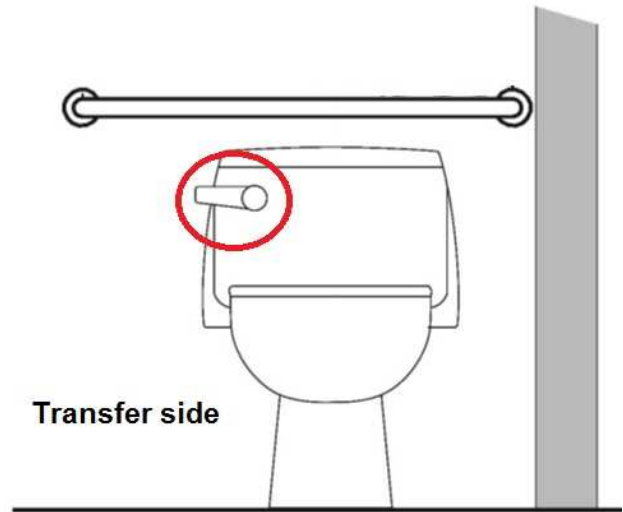
N/A

Notes:

N/A



Finding #64 Continued



Finding 298962 Main Photo

CORRECTED

1st Floor, N. side, Studio Bee, Mens Restrooms (Orchestra Level)

Lat: 38.8308900000, Long: -104.8267000000

Finding: 65

The rim of the urinal is too high.

Wall-hung urinals must be provided with an elongated rim projecting a minimum of 13 1/2 inches from the wall and a maximum of 17 inches above the floor.

2010 ADAS Section 605.2

Urinals shall be the stall-type or the wall-hung type with the rim 17 inches (430 mm) maximum above the finish floor or ground. Urinals shall be 13 1/2 inches (345 mm) deep minimum measured from the outer face of the urinal rim to the back of the fixture.

Citation:

2010 ADAS Section: 605.2

As Built:

23.5 inches above finished floor

Recommendation:

Lower urinal to ensure a maximum height of 17 inches above finished floor.

Barrier Priority:

3 (Moderate): Should be completed as soon as possible, but there may be other items that will provide greater access to persons with disabilities. (Includes; Findings that have a high financial impact on the entity in relationship to the degree of access provided)

Department:

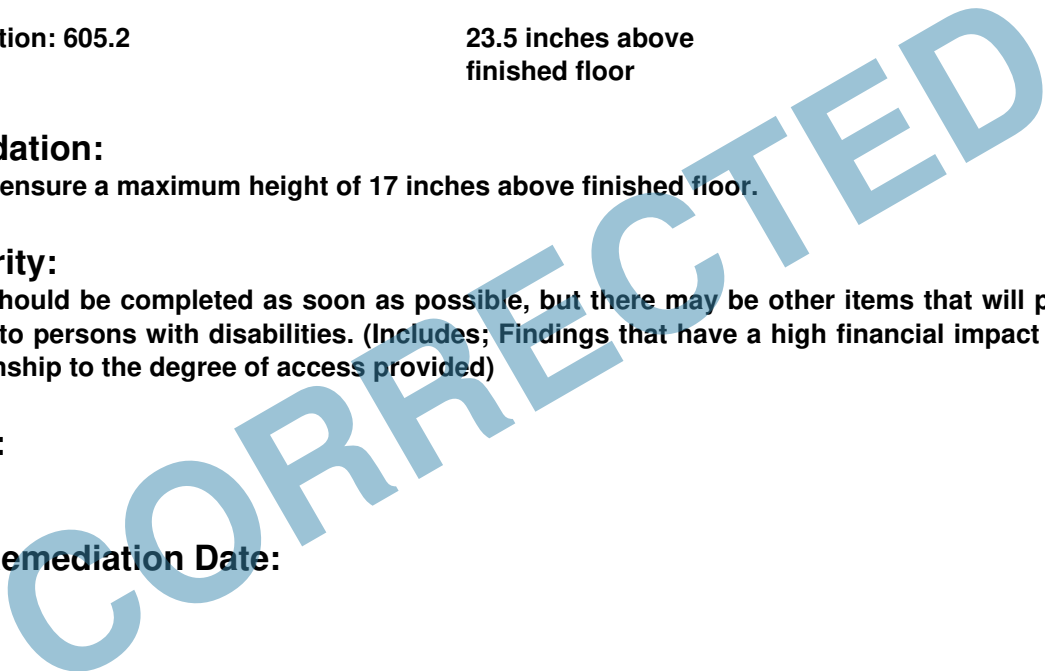
N/A

Estimated Remediation Date:

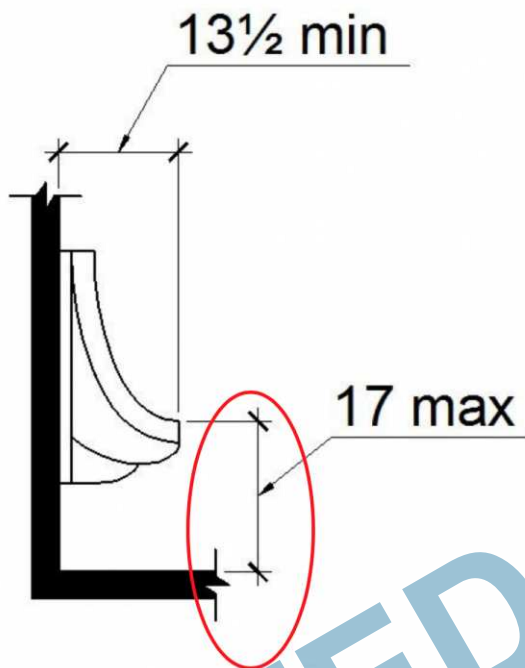
N/A

Notes:

N/A



Finding #65 Continued



Finding 298963 Main Photo

CORRECTED

Finding #65 Additional Finding Photos



Finding 298963 Additional Photo

CORRECTED

1st Floor, N. side, Studio Bee, Mens Restrooms (Orchestra Level)

Lat: 38.8308900000, Long: -104.8267000000

Finding: 66

The urinals flush handle is mounted too high.

Flush controls shall be operable with one hand and shall not require tight grasping, pinching or twisting of the wrist and shall be mounted no more than 48 inches above the floor. The force required to activate controls shall be no greater than 5 lb. Electronic automatic flushing controls are acceptable and preferable.

2010 ADAS Section 605.4

Flush controls shall be hand operated or automatic. Hand operated flush controls shall comply with 309.

Citation:

2010 ADAS Section: 605.4

As Built:

51 inches above finished floor

Recommendation:

Lower or install new urinal to meet height clearance to both urinal and flush handle.

Barrier Priority:

3 (Moderate): Should be completed as soon as possible, but there may be other items that will provide greater access to persons with disabilities. (Includes; Findings that have a high financial impact on the entity in relationship to the degree of access provided)

Department:

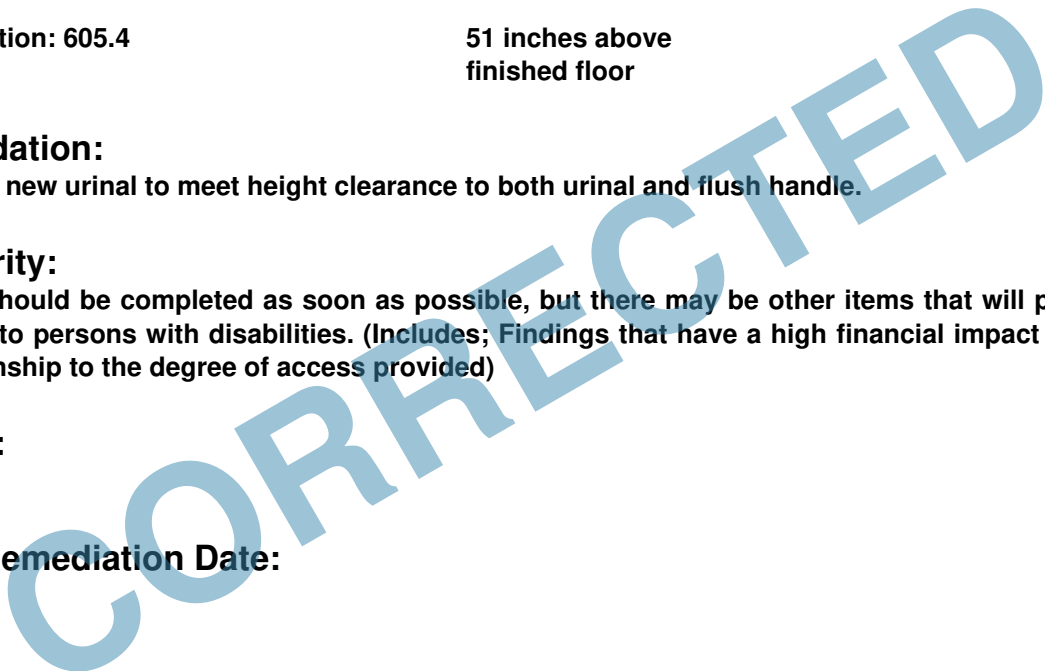
N/A

Estimated Remediation Date:

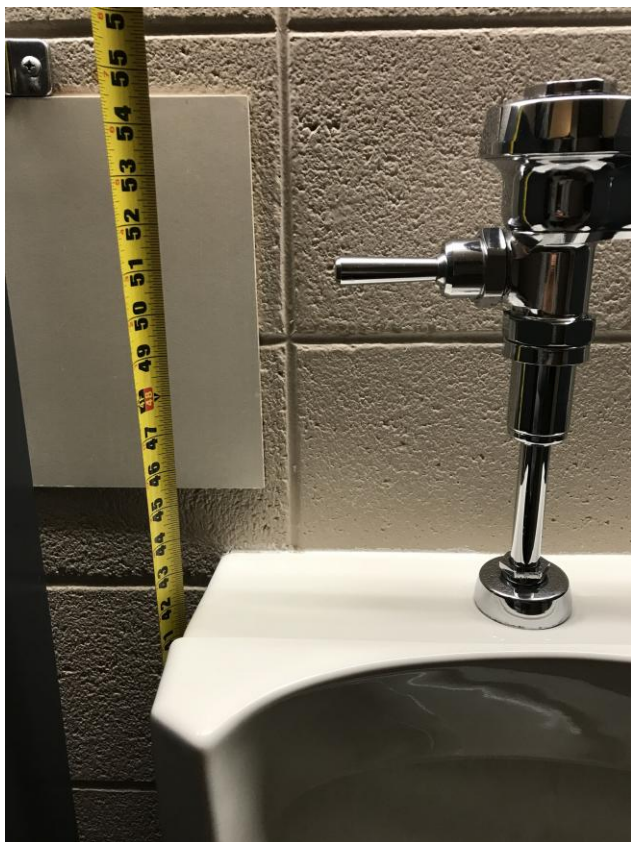
N/A

Notes:

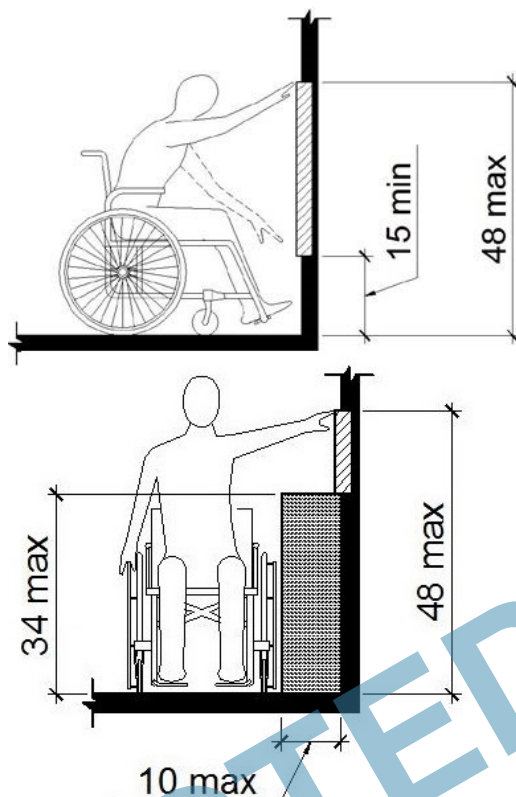
N/A



Finding #66 Continued



Finding 298964 Main Photo



Considered
Unobstructed

CORRECTED

1st Floor, N. side, Studio Bee, Mens Restrooms (Orchestra Level)

Lat: 38.8308900000, Long: -104.8267000000

Finding: 67

The urinal is located in an area that does not provide the required clear floor space for a front approach.

The surrounding elements of a urinal must provide a minimum of 30 by 48 inches of clear floor space for a front approach.

2010 ADAS Section 605.3

A clear floor or ground space complying with 305 positioned for forward approach shall be provided.

Citation:

2010 ADAS Section: 605.3

As Built:

28 inches in width

Recommendation:

If space allows, re-adjust surrounding partitions to provide the minimum width clearance of 30 inches.

Barrier Priority:

3 (Moderate): Should be completed as soon as possible, but there may be other items that will provide greater access to persons with disabilities. (Includes; Findings that have a high financial impact on the entity in relationship to the degree of access provided)

Department:

N/A

Estimated Remediation Date:

N/A

Notes:

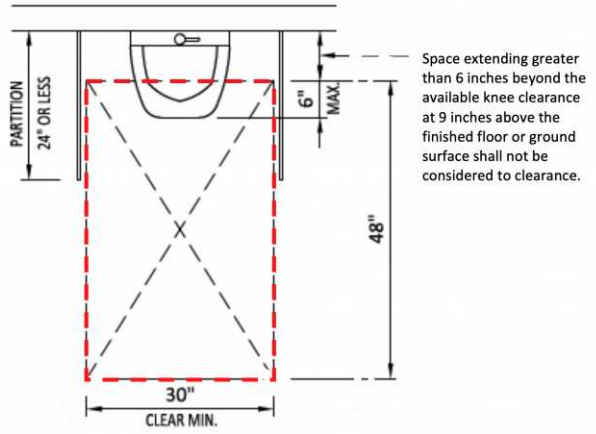
N/A

CORRECTED

Finding #67 Continued



Finding 298965 Main Photo



URINAL CLEAR SPACE
PARTITION 24" OR LESS

CORRECTED

Finding #67 Additional Finding Photos



Finding 298965 Additional Photo

CORRECTED

1st Floor, N. side, Studio Bee, Mens Restrooms (Orchestra Level)

Lat: 38.8308867000, Long: -104.8266744000

Finding: 68

Automatic door openers are not required under ADA standards but highly recommended due to building structural barriers/constraints that predate 1991 ADA Standards.

2010 ADAS Section Recommended
None

Citation:

2010 ADAS Section: Recommended

As Built:

Door knob requires tight grasping and twisting of the wrist

Recommendation:

Install automatic door opener to ensure restroom is compliant to the extent feasible due to preexisting physical barriers and structural constraints.

Barrier Priority:

1 (High): Should be completed immediately. (Includes; Findings that have little or no cost, were in violation of the codes at the time of construction, or pose an imminent safety threat)

Department:

N/A

Estimated Remediation Date:

N/A

Notes:

N/A

CORRECTED

1st Floor N. side (Orchestra Level) Drinking Fountain

Lat: 38.8309600000, Long: -104.8266000000

Finding: 69

The drinking fountain is not accessible.

The spout is located 7 inches from the front edge of the unit (5 inches maximum).

Spout height is 37 inches above the finished floor (36 inches maximum).

The angle of water stream is non-compliant (15 or 30 degrees allowed)

Spout water flow is below the 4 inch high minimum.

2010 ADAS Section 602.2

Units shall have a clear floor or ground space complying with 305 positioned for a forward approach and centered on the unit. Knee and toe clearance complying with 306 shall be provided.

Citation:

2010 ADAS Section: 602.2

As Built:

Spout front edge of unit 7 inches.

Recommendation:

Provide a hi-lo fountain unit to meet current ADA standards. Spout shall be 15 inches minimum from the vertical support and 5 inches maximum from the front edge of the unit, including bumpers. Spout outlets shall be 36 inches maximum above the finished floor or ground.

Barrier Priority:

4 (Low): Should be completed as soon as possible due to being a technical violation, but may not result in providing greater access to persons with disabilities. (Includes; Findings that are technically violations but provide a moderate to low increase in accessibility compared to the financial impact on the entity)

Department:

N/A

Estimated Remediation Date:

N/A

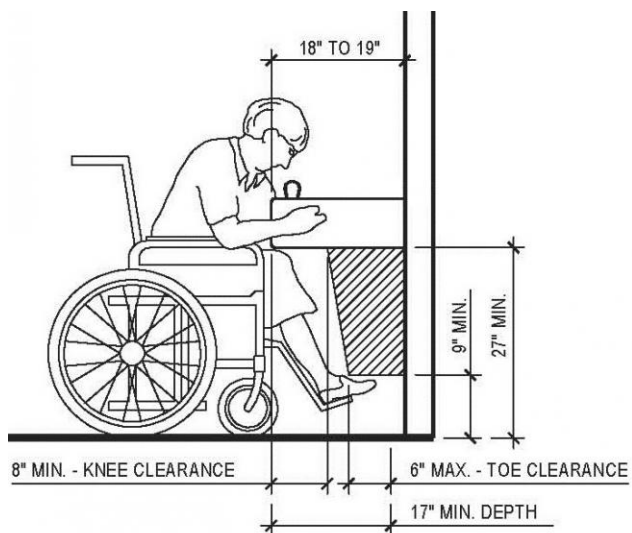
Notes:

N/A

Finding #69 Continued



Finding 31056 Main Photo



Finding #69 Additional Finding Photos



Finding 31056 Additional Photo



Finding 31056 Additional Photo



Finding 31056 Additional Photo



Finding 31056 Additional Photo

1st Floor, N. side, Womens Restrooms (Orchestra Level)

Lat: 38.8308900000, Long: -104.8267000000

Finding: 70

Compliant room identification signs are missing.

Sign shall be located alongside the door at the latch side. Where a tactile sign is provided at double doors with one active leaf, the sign shall be located on the inactive leaf. Where a tactile sign is provided at double doors with two active leafs, the sign shall be located to the right of the right hand door. Where there is no wall space at the latch side of a single door or at the right side of double doors, signs shall be located on the nearest adjacent wall. Signs containing tactile characters shall be located so that a clear floor space of 18 inches minimum by 18 inches minimum, centered on the tactile characters, is provided beyond the arc of any door swing between the closed position and 45 degree open position.

Wall signs identifying permanent rooms and spaces of a building shall be in a horizontal format and the characters raised 1/32 inch minimum and shall be sans serif uppercase characters a minimum of 5/8 inch and a maximum of 2 inches high. Contracted Grade 2 Braille shall be in a horizontal format and shall be placed a minimum of 3/8 inch and a maximum of 1/2 inch directly below the tactile characters; flush left or centered. Dots shall be 1/10 inch on center in each cell with 2/10-inch space between cells, measured from the second column of dots in the first cell to the first column of dots in the second cell. Dots shall be raised a minimum of 1/40 inch above the background. Braille dots shall be domed or rounded. Signs with raised characters or Braille shall be located 48 inches minimum above the finish floor or ground surface, measured from the baseline of the lowest tactile character and 60 inches maximum above the finish floor or ground surface, measured from the baseline of the highest tactile character.

2010 ADAS Section 216.2

Interior and exterior signs identifying permanent rooms and spaces shall comply with 703.1, 703.2, and 703.5. Where pictograms are provided as designations of permanent interior rooms and spaces, the pictograms shall comply with 703.6 and shall have text descriptors complying with 703.2 and 703.5.

2010 ADAS Section 703.4.2

Where a tactile sign is provided at a door, the sign shall be located alongside the door at the latch side. Where a tactile sign is provided at double doors with one active leaf, the sign shall be located on the inactive leaf. Where a tactile sign is provided at double doors with two active leafs, the sign shall be located to the right of the right hand door. Where there is no wall space at the latch side of a single door or at the right side of double doors, signs shall be located on the nearest adjacent wall. Signs containing tactile characters shall be located so that a clear floor space of 18 inches (455 mm) minimum by 18 inches (455 mm) minimum, centered on the tactile characters, is provided beyond the arc of any door swing between the closed position and 45 degree open position.

Citation:

2010 ADAS Section: 216.2, 703.4.2

As Built:

Non compliant
restroom sign

Recommendation:

Place new sign alongside the door at the latch side or nearest adjacent wall. Braille characters shall

measured 48 inches minimum from the baseline of the lowest tactile character and 60 inches maximum above the finish floor or ground surface, measured from the baseline of the highest tactile character.

Barrier Priority:

3 (Moderate): Should be completed as soon as possible, but there may be other items that will provide greater access to persons with disabilities. (Includes; Findings that have a high financial impact on the entity in relationship to the degree of access provided)

Department:

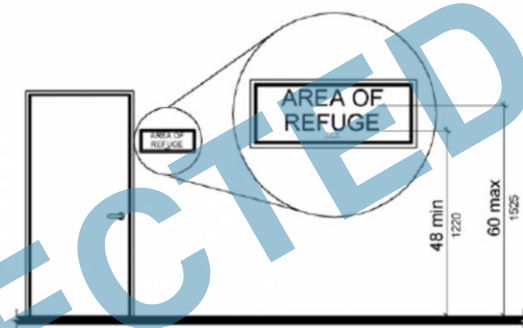
N/A

Estimated Remediation Date:

N/A

Notes:

N/A



Finding 298966 Main Photo

1st Floor, N. side, Womens Restrooms (Orchestra Level)

Lat: 38.8308900000, Long: -104.8267000000

Finding: 71

The water closet compartment door is missing a loop handle on the outside.

Water closet compartments must be equipped with a door that has a loop or U-shaped handle on both sides of the door immediately below the latch. The latch must be flip-over style, sliding or other hardware not requiring the user to grasp or twist.

2010 ADAS Section 604.8.1.2

Toilet compartment doors, including door hardware, shall comply with 404 except that if the approach is to the latch side of the compartment door, clearance between the door side of the compartment and any obstruction shall be 42 inches (1065 mm) minimum. Doors shall be located in the front partition or in the side wall or partition farthest from the water closet. Where located in the front partition, the door opening shall be 4 inches (100 mm) maximum from the side wall or partition farthest from the water closet. Where located in the side wall or partition, the door opening shall be 4 inches (100 mm) maximum from the front partition. The door shall be self-closing. A door pull complying with 404.2.7 shall be placed on both sides of the door near the latch. Toilet compartment doors shall not swing into the minimum required compartment area.

Citation:

2010 ADAS Section: 604.8.1.2

As Built:

Missing loop handle on outside of compartment door

Recommendation:

Install loop or U-shaped handle on outside of compartment door.

Barrier Priority:

3 (Moderate): Should be completed as soon as possible, but there may be other items that will provide greater access to persons with disabilities. (Includes; Findings that have a high financial impact on the entity in relationship to the degree of access provided)

Department:

N/A

Estimated Remediation Date:

N/A

Notes:

N/A

Finding #71 Continued



Finding 298968 Main Photo

CORRECTED

1st Floor, N. side, Womens Restrooms (Orchestra Level)

Lat: 38.8308900000, Long: -104.8267000000

Finding: 72

The compartment door is not self closing.

The water closet compartment shall be equipped with a door that has an automatic-closing device.

2010 ADAS Section 604.8.1.2

Toilet compartment doors, including door hardware, shall comply with 404 except that if the approach is to the latch side of the compartment door, clearance between the door side of the compartment and any obstruction shall be 42 inches (1065 mm) minimum. Doors shall be located in the front partition or in the side wall or partition farthest from the water closet. Where located in the front partition, the door opening shall be 4 inches (100 mm) maximum from the side wall or partition farthest from the water closet. Where located in the side wall or partition, the door opening shall be 4 inches (100 mm) maximum from the front partition. The door shall be self-closing. A door pull complying with 404.2.7 shall be placed on both sides of the door near the latch. Toilet compartment doors shall not swing into the minimum required compartment area.

Citation:

2010 ADAS Section: 604.8.1.2

As Built:

Compartment door not self-closing

Recommendation:

Adjust or install automatic closing hinges.

Barrier Priority:

3 (Moderate): Should be completed as soon as possible, but there may be other items that will provide greater access to persons with disabilities. (Includes; Findings that have a high financial impact on the entity in relationship to the degree of access provided)

Department:

N/A

Estimated Remediation Date:

N/A

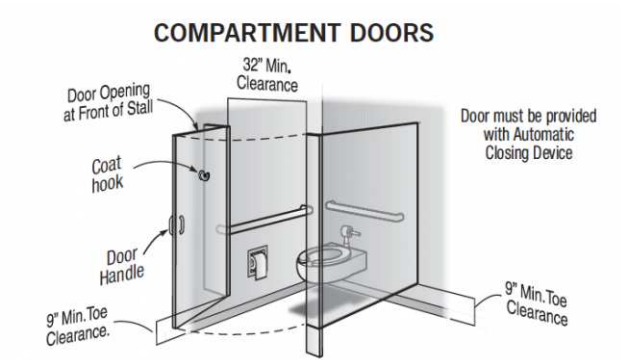
Notes:

N/A

Finding #72 Continued



Finding 298969 Main Photo



CORRECTED

1st Floor, N. side, Womens Restrooms (Orchestra Level)

Lat: 38.8308900000, Long: -104.8267000000

Finding: 73

The locking/latching hardware is not accessible.

Hand-activated door opening hardware, handles, pulls, latches, locks, and other operating devices on accessible doors shall have a shape that is easy to grasp with one hand and does not require tight grasping, tight pinching or twisting of the wrist to operate.

2010 ADAS Section 604.8.1.2

Toilet compartment doors, including door hardware, shall comply with 404 except that if the approach is to the latch side of the compartment door, clearance between the door side of the compartment and any obstruction shall be 42 inches (1065 mm) minimum. Doors shall be located in the front partition or in the side wall or partition farthest from the water closet. Where located in the front partition, the door opening shall be 4 inches (100 mm) maximum from the side wall or partition farthest from the water closet. Where located in the side wall or partition, the door opening shall be 4 inches (100 mm) maximum from the front partition. The door shall be self-closing. A door pull complying with 404.2.7 shall be placed on both sides of the door near the latch. Toilet compartment doors shall not swing into the minimum required compartment area.

Citation:

2010 ADAS Section: 604.8.1.2

As Built:

Requires tight grasping and twisting of the wrist

Recommendation:

Replace locking hardware with locking lever that does not require tight grasping, tight pinching or twisting of the wrist to operate.

Barrier Priority:

3 (Moderate): Should be completed as soon as possible, but there may be other items that will provide greater access to persons with disabilities. (Includes; Findings that have a high financial impact on the entity in relationship to the degree of access provided)

Department:

N/A

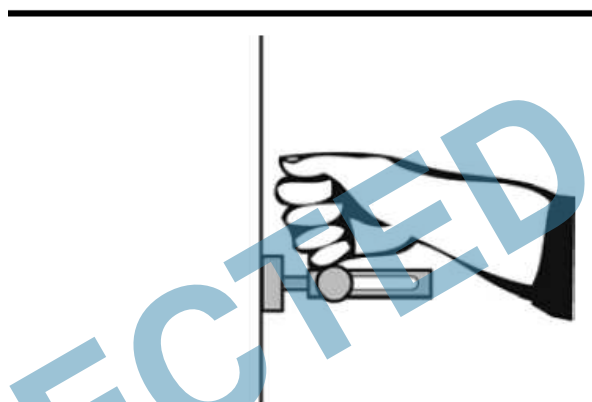
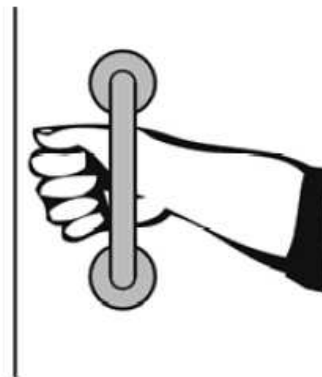
Estimated Remediation Date:

N/A

Notes:

N/A

Finding #73 Continued



Finding 298970 Main Photo

CORRECTED

1st Floor, N. side, Womens Restrooms (Orchestra Level)

Lat: 38.8308900000, Long: -104.8267000000

Finding: 74

The coat hook is installed greater than 48 inches above the finished floor.

Where a forward reach is unobstructed, the high forward reach shall be 48 inches maximum above the finished floor.

2010 ADAS Section 308.2.1

Where a forward reach is unobstructed, the high forward reach shall be 48 inches (1220 mm) maximum and the low forward reach shall be 15 inches (380 mm) minimum above the finish floor or ground.

Citation:

2010 ADAS Section: 308.2.1

As Built:

61.5 inches above finished floor

Recommendation:

Lower coat hook 13 inches minimum. Not to exceed a maximum height of 48 inches above finished floor.

Barrier Priority:

3 (Moderate): Should be completed as soon as possible, but there may be other items that will provide greater access to persons with disabilities. (Includes; Findings that have a high financial impact on the entity in relationship to the degree of access provided)

Department:

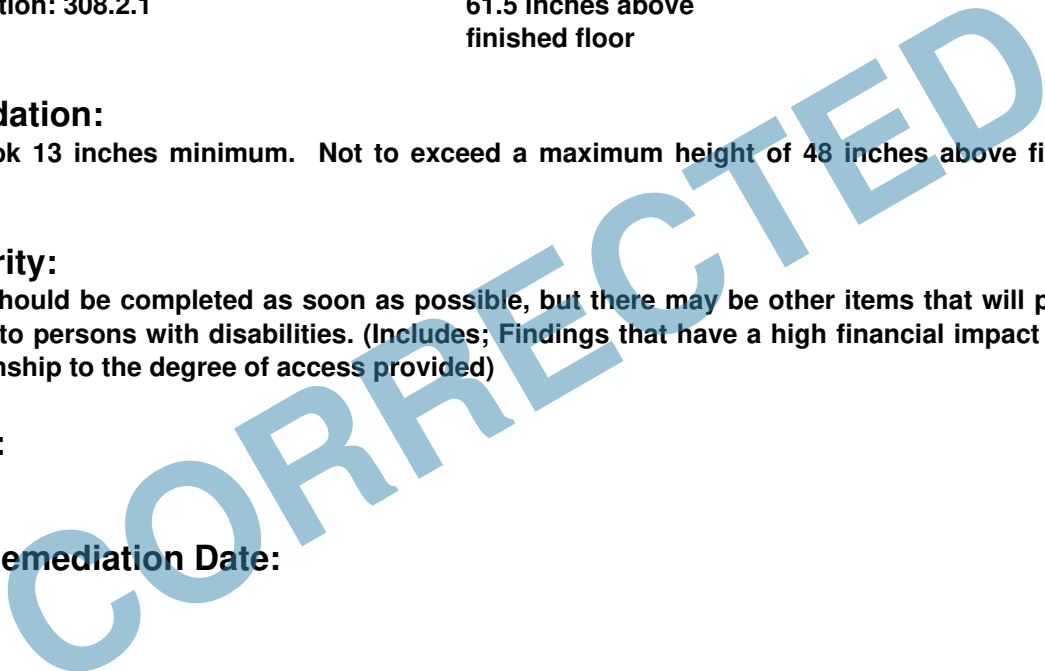
N/A

Estimated Remediation Date:

N/A

Notes:

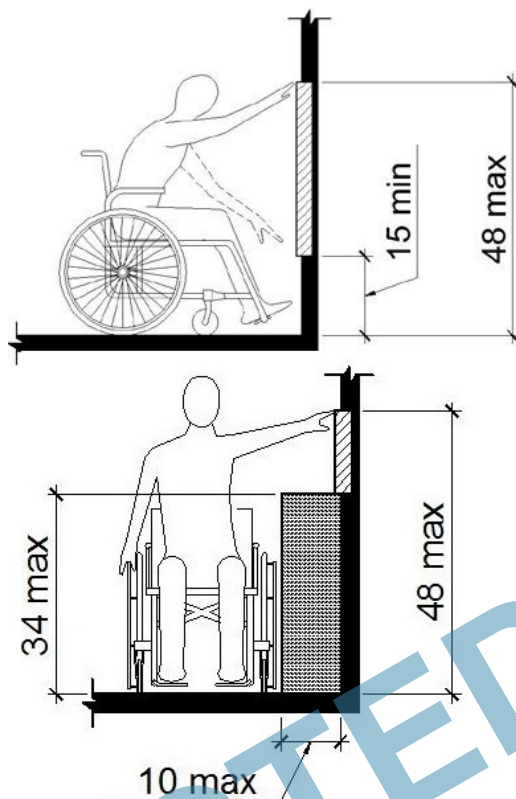
N/A



Finding #74 Continued



Finding 298971 Main Photo



Considered
Unobstructed

CORRECTED

1st Floor, N. side, Womens Restrooms (Orchestra Level)

Lat: 38.8308900000, Long: -104.8267000000

Finding: 75

The side grab bar does not extend far enough from the rear wall.

The side grab bar must extend at least 54 inches minimum beyond the rear wall and start a maximum of 12 inches from the rear wall. A 42 inch grab bar installed the maximum distance from the rear wall (12 inches) will leave the leading end 54 inches from the rear wall. Grab bars shall be installed in a horizontal position, 33 inches minimum and 36 inches maximum above the finish floor measured to the top of the gripping surface.

2010 ADAS Section 604.5.1

The side wall grab bar shall be 42 inches (1065 mm) long minimum, located 12 inches (305 mm) maximum from the rear wall and extending 54 inches (1370 mm) minimum from the rear wall.

Citation:

2010 ADAS Section: 604.5.1

As Built:

Extends 51 inches from rear wall

Recommendation:

Adjust side grab bar not to exceed 12 inches from rear wall. The side grab bar must extend at least 54 inches minimum beyond the rear wall.

Barrier Priority:

3 (Moderate): Should be completed as soon as possible, but there may be other items that will provide greater access to persons with disabilities. (Includes; Findings that have a high financial impact on the entity in relationship to the degree of access provided)

Department:

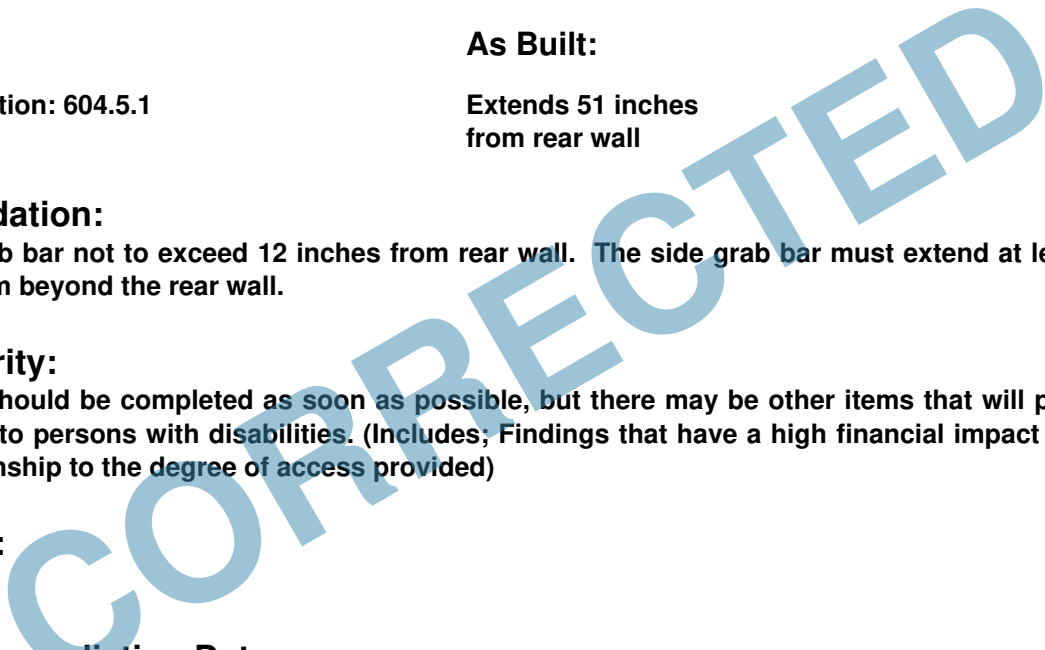
N/A

Estimated Remediation Date:

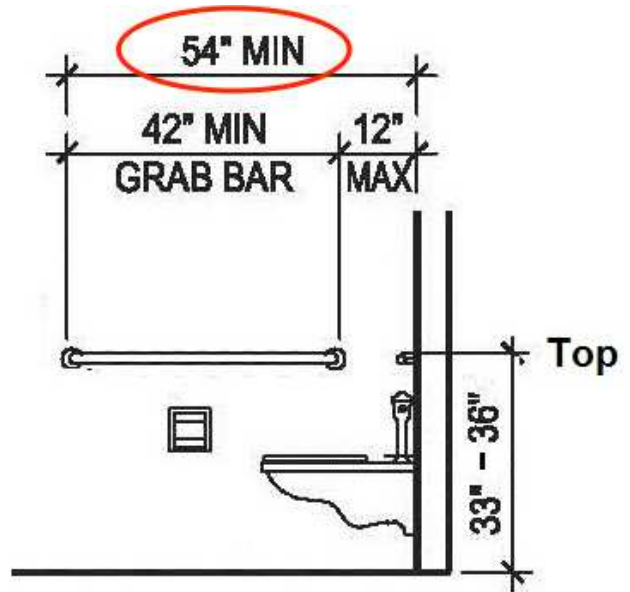
N/A

Notes:

N/A



Finding #75 Continued



Finding 298973 Main Photo

CORRECTED

Finding #75 Additional Finding Photos



Finding 298973 Additional Photo

CORRECTED

1st Floor, N. side, Womens Restrooms (Orchestra Level)

Lat: 38.8308900000, Long: -104.8267000000

Finding: 76

The baby changing table, in the down position, obstructs the landing at the door.

Landings for interior doors on the pull side with a forward approach must be a minimum distance of 60 inches in the direction of travel. The width of the landing must be as wide as the door plus an additional 18 inches on the strike side. The landing including strike side clearance must be clear of obstructions. Landings for interior doors on the push side with a forward approach must be a minimum distance of 48 inches in the direction of travel.

2010 ADAS Section 404.1

Doors, doorways, and gates that are part of an accessible route shall comply with 404.

Citation:

2010 ADAS Section: 404.1

As Built:

Limits entrance into
compartment stall to
28.5 inches

Recommendation:

Relocate baby changing station outside of compartment stall or reconfigure compartment stall to meet width requirements.

Barrier Priority:

3 (Moderate): Should be completed as soon as possible, but there may be other items that will provide greater access to persons with disabilities. (Includes; Findings that have a high financial impact on the entity in relationship to the degree of access provided)

Department:

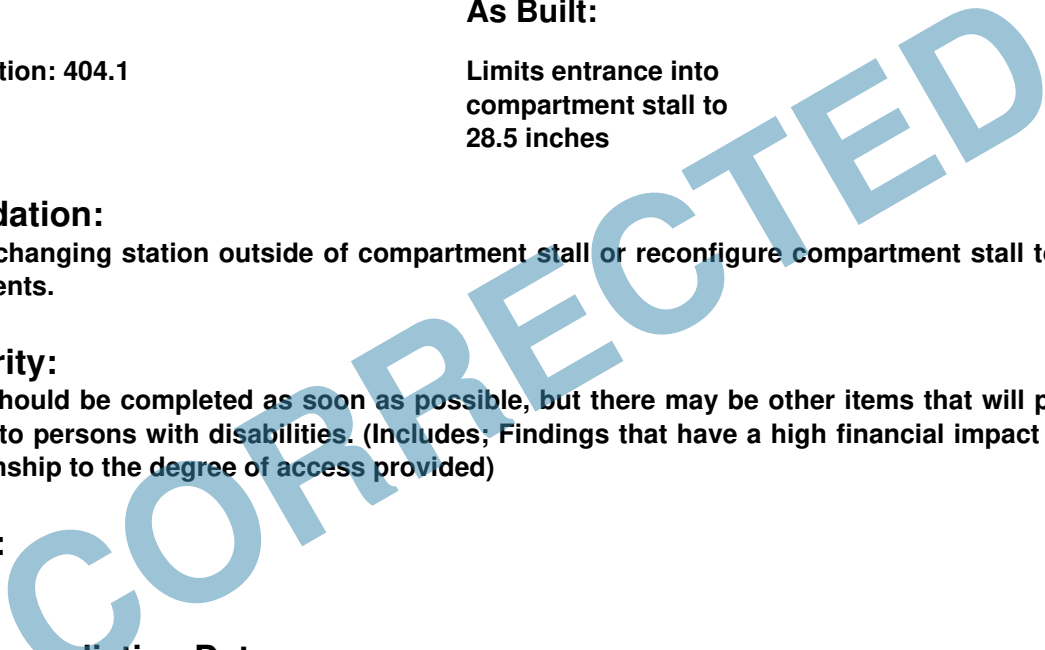
N/A

Estimated Remediation Date:

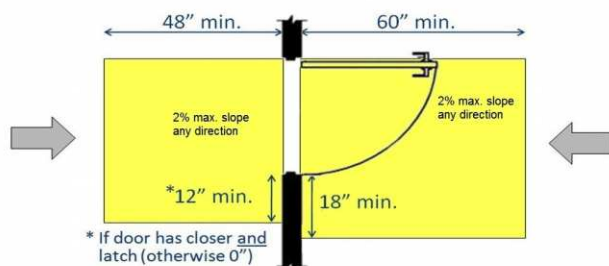
N/A

Notes:

N/A



Finding #76 Continued



Finding 298976 Main Photo

CORRECTED

Finding #76 Additional Finding Photos



Finding 298976 Additional Photo

CORRECTED

1st Floor, N. side, Womens Restrooms (Orchestra Level)

Lat: 38.8308900000, Long: -104.8267000000

Finding: 77

The compartment door landing does not have 18 inches of strike side clearance.

Landings for compartment doors on the pull side must be as wide as the door plus an additional 18 inches on the strike side.

2010 ADAS Section 404.2.4.1

Swinging doors and gates shall have maneuvering clearances complying with Table 404.2.4.1.

Citation:

2010 ADAS Section: 404.2.4.1

As Built:

15.5 inches of
maneuvering space

Recommendation:

Providing the minimum required width clearance to the restroom is technically infeasible at this time because existing structural conditions would require removing or altering a load-bearing member that is an essential part of the structural frame; or because other existing physical or site constraints prohibit modification or addition of elements, spaces, or features that are in full and strict compliance with the minimum requirements. Best practice measures are recommended to ensure restroom is accessible to the maximum extent feasible. Signage will be displayed at restroom door entrance directing customers to wheelchair accessible restrooms located on the south side of the orchestra level. Would recommend updating restroom when feasible or during alteration or new construction to meet current ADA standards.

Barrier Priority:

3 (Moderate): Should be completed as soon as possible, but there may be other items that will provide greater access to persons with disabilities. (Includes; Findings that have a high financial impact on the entity in relationship to the degree of access provided)

Department:

N/A

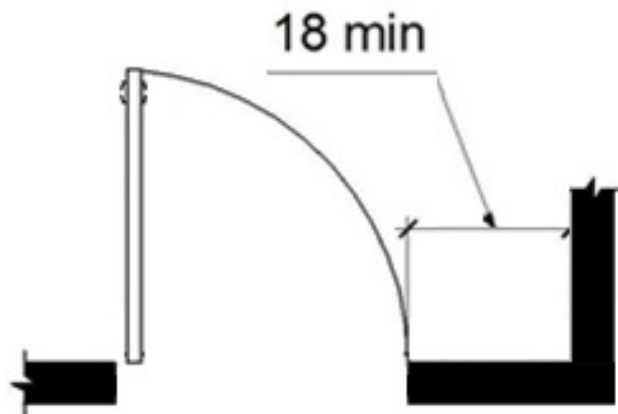
Estimated Remediation Date:

N/A

Notes:

N/A

Finding #77 Continued



Finding 299023 Main Photo

CORRECTED

Finding #77 Additional Finding Photos



Finding 299023 Additional Photo

CORRECTED

1st Floor, N. side, Womens Restrooms (Orchestra Level)

Lat: 38.8308900000, Long: -104.8267000000

Finding: 78

The coat hook is installed greater than 48 inches above the finished floor.

Where a forward reach is unobstructed, the high forward reach shall be 48 inches maximum above the finished floor.

2010 ADAS Section 308.2.1

Where a forward reach is unobstructed, the high forward reach shall be 48 inches (1220 mm) maximum and the low forward reach shall be 15 inches (380 mm) minimum above the finish floor or ground.

Citation:

2010 ADAS Section: 308.2.1

As Built:

Ambulatory stall coat
hook at 65 inches
above finished floor

Recommendation:

Lower coat hook 19 inches minimum or install another coat hook not to exceed a maximum height of 48 inches above finished floor.

Barrier Priority:

3 (Moderate): Should be completed as soon as possible, but there may be other items that will provide greater access to persons with disabilities. (Includes; Findings that have a high financial impact on the entity in relationship to the degree of access provided)

Department:

N/A

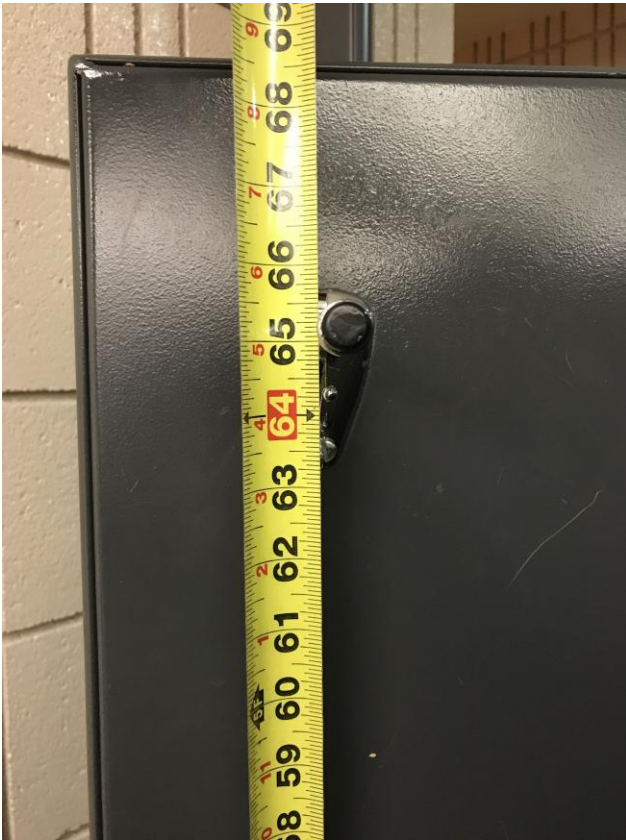
Estimated Remediation Date:

N/A

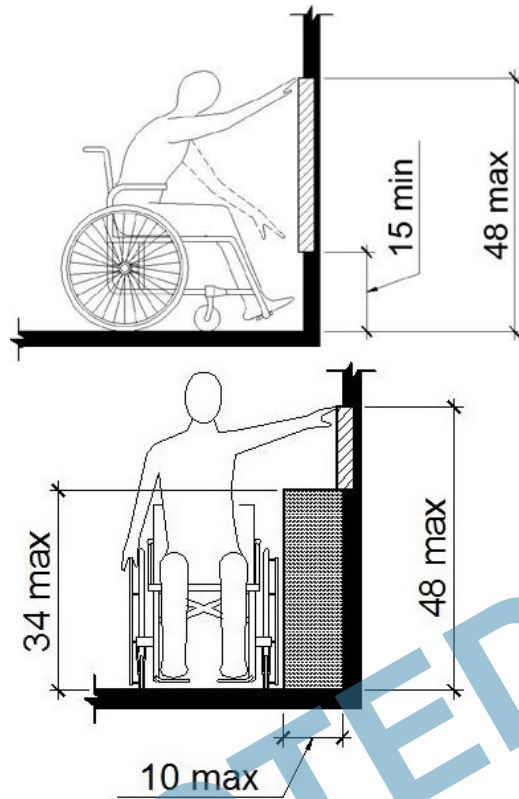
Notes:

N/A

Finding #78 Continued



Finding 299427 Main Photo



Considered
Unobstructed

CORRECTED

1st Floor, N. side, Womens Restrooms (Orchestra Level)

Lat: 38.8308900000, Long: -104.8267000000

Finding: 79

The compartment door is not self closing.

The water closet compartment shall be equipped with a door that has an automatic-closing device.

2010 ADAS Section 604.8.1.2

Toilet compartment doors, including door hardware, shall comply with 404 except that if the approach is to the latch side of the compartment door, clearance between the door side of the compartment and any obstruction shall be 42 inches (1065 mm) minimum. Doors shall be located in the front partition or in the side wall or partition farthest from the water closet. Where located in the front partition, the door opening shall be 4 inches (100 mm) maximum from the side wall or partition farthest from the water closet. Where located in the side wall or partition, the door opening shall be 4 inches (100 mm) maximum from the front partition. The door shall be self-closing. A door pull complying with 404.2.7 shall be placed on both sides of the door near the latch. Toilet compartment doors shall not swing into the minimum required compartment area.

Citation:

2010 ADAS Section: 604.8.1.2

As Built:

Ambulatory stall door
not self closing

Recommendation:

Adjust or install automatic closing hinges.

Barrier Priority:

3 (Moderate): Should be completed as soon as possible, but there may be other items that will provide greater access to persons with disabilities. (Includes; Findings that have a high financial impact on the entity in relationship to the degree of access provided)

Department:

N/A

Estimated Remediation Date:

N/A

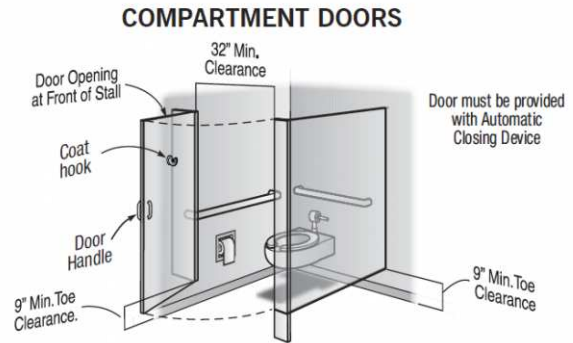
Notes:

N/A

Finding #79 Continued



Finding 299428 Main Photo



CORRECTED

1st Floor, N. side, Womens Restrooms (Orchestra Level)

Lat: 38.8308900000, Long: -104.8267000000

Finding: 80

The locking/latching hardware is not accessible.

Hand-activated door opening hardware, handles, pulls, latches, locks, and other operating devices on accessible doors shall have a shape that is easy to grasp with one hand and does not require tight grasping, tight pinching or twisting of the wrist to operate.

2010 ADAS Section 604.8.1.2

Toilet compartment doors, including door hardware, shall comply with 404 except that if the approach is to the latch side of the compartment door, clearance between the door side of the compartment and any obstruction shall be 42 inches (1065 mm) minimum. Doors shall be located in the front partition or in the side wall or partition farthest from the water closet. Where located in the front partition, the door opening shall be 4 inches (100 mm) maximum from the side wall or partition farthest from the water closet. Where located in the side wall or partition, the door opening shall be 4 inches (100 mm) maximum from the front partition. The door shall be self-closing. A door pull complying with 404.2.7 shall be placed on both sides of the door near the latch. Toilet compartment doors shall not swing into the minimum required compartment area.

Citation:

2010 ADAS Section: 604.8.1.2

As Built:

Ambulatory door lock requires tight grasping and twisting of the wrist

Recommendation:

Replace locking hardware with locking lever that does not require tight grasping, tight pinching or twisting of the wrist to operate.

Barrier Priority:

3 (Moderate): Should be completed as soon as possible, but there may be other items that will provide greater access to persons with disabilities. (Includes; Findings that have a high financial impact on the entity in relationship to the degree of access provided)

Department:

N/A

Estimated Remediation Date:

N/A

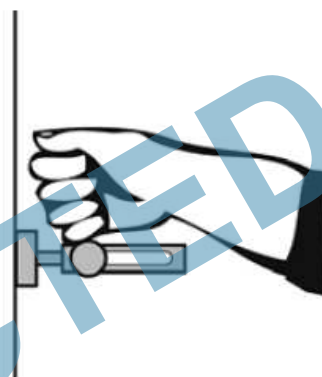
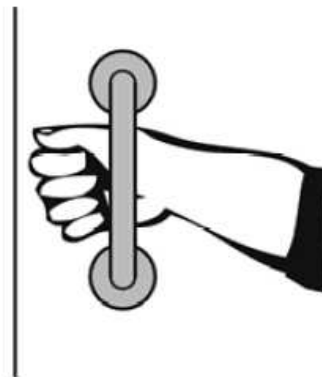
Notes:

N/A

Finding #80 Continued



Finding 299429 Main Photo



CORRECTED

1st Floor, N. side, Womens Restrooms (Orchestra Level)

Lat: 38.8308900000, Long: -104.8267000000

Finding: 81

The door to the ambulatory compartment swings into the minimum required compartment area.

Toilet compartment doors shall not swing into the minimum required compartment area.

2010 ADAS Section 604.8.2.2

Toilet compartment doors, including door hardware, shall comply with 404, except that if the approach is to the latch side of the compartment door, clearance between the door side of the compartment and any obstruction shall be 42 inches (1065 mm) minimum. The door shall be self-closing. A door pull complying with 404.2.7 shall be placed on both sides of the door near the latch. Toilet compartment doors shall not swing into the minimum required compartment area.

Citation:

2010 ADAS Section: 604.8.2.2

As Built:

Ambulatory stall door swings inwards

Recommendation:

Reverse door swing.

Barrier Priority:

3 (Moderate): Should be completed as soon as possible, but there may be other items that will provide greater access to persons with disabilities. (Includes; Findings that have a high financial impact on the entity in relationship to the degree of access provided)

Department:

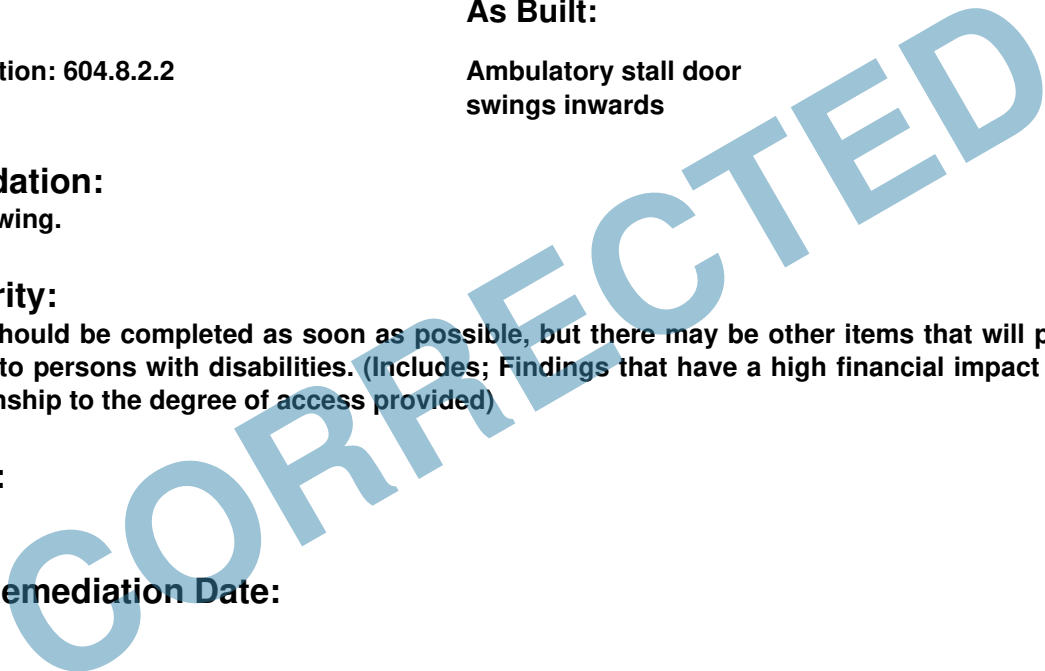
N/A

Estimated Remediation Date:

N/A

Notes:

N/A



Finding #81 Continued



Finding 299430 Main Photo

CORRECTED

1st Floor, N. side, Womens Restrooms (Orchestra Level)

Lat: 38.8308900000, Long: -104.8267000000

Finding: 82

The water closet compartment door is missing a loop handle.

Water closet compartments must be equipped with a door that has a loop or U-shaped handle on both sides of the door immediately below the latch. The latch must be flip-over style, sliding or other hardware not requiring the user to grasp or twist.

2010 ADAS Section 604.8.1.2

Toilet compartment doors, including door hardware, shall comply with 404 except that if the approach is to the latch side of the compartment door, clearance between the door side of the compartment and any obstruction shall be 42 inches (1065 mm) minimum. Doors shall be located in the front partition or in the side wall or partition farthest from the water closet. Where located in the front partition, the door opening shall be 4 inches (100 mm) maximum from the side wall or partition farthest from the water closet. Where located in the side wall or partition, the door opening shall be 4 inches (100 mm) maximum from the front partition. The door shall be self-closing. A door pull complying with 404.2.7 shall be placed on both sides of the door near the latch. Toilet compartment doors shall not swing into the minimum required compartment area.

Citation:

2010 ADAS Section: 604.8.1.2

As Built:

Both loop handles missing on ambulatory stall door

Recommendation:

Install loop or U-shaped handles on compartment door.

Barrier Priority:

3 (Moderate): Should be completed as soon as possible, but there may be other items that will provide greater access to persons with disabilities. (Includes; Findings that have a high financial impact on the entity in relationship to the degree of access provided)

Department:

N/A

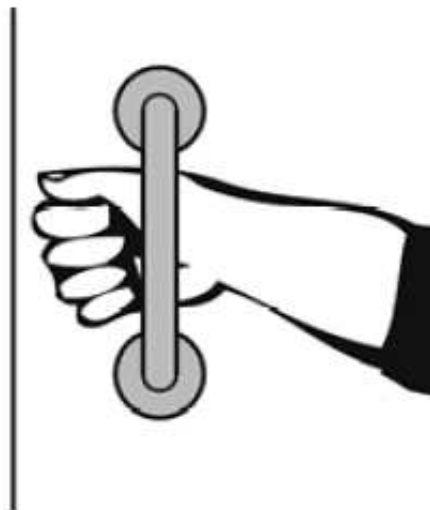
Estimated Remediation Date:

N/A

Notes:

N/A

Finding #82 Continued



Finding 299431 Main Photo

CORRECTED

1st Floor, N. side, Womens Restrooms (Orchestra Level)

Lat: 38.8308900000, Long: -104.8267000000

Finding: 83

Grab bars shall be provided on both sides of the compartment.

The side wall grab bar shall be 42 inches long minimum, located 12 inches maximum from the rear wall and extending 54 inches minimum from the rear wall.

2010 ADAS Section 604.8.2.3

Grab bars shall comply with 609. A side-wall grab bar complying with 604.5.1 shall be provided on both sides of the compartment.

Citation:

2010 ADAS Section: 604.8.2.3

As Built:

Grab bars missing
inside ambulatory stall

Recommendation:

Install 42 inch grab bars in a horizontal position 33 inches minimum and 36 inches maximum above the finished floor measured to the top of the gripping surface.

Barrier Priority:

3 (Moderate): Should be completed as soon as possible, but there may be other items that will provide greater access to persons with disabilities. (Includes; Findings that have a high financial impact on the entity in relationship to the degree of access provided)

Department:

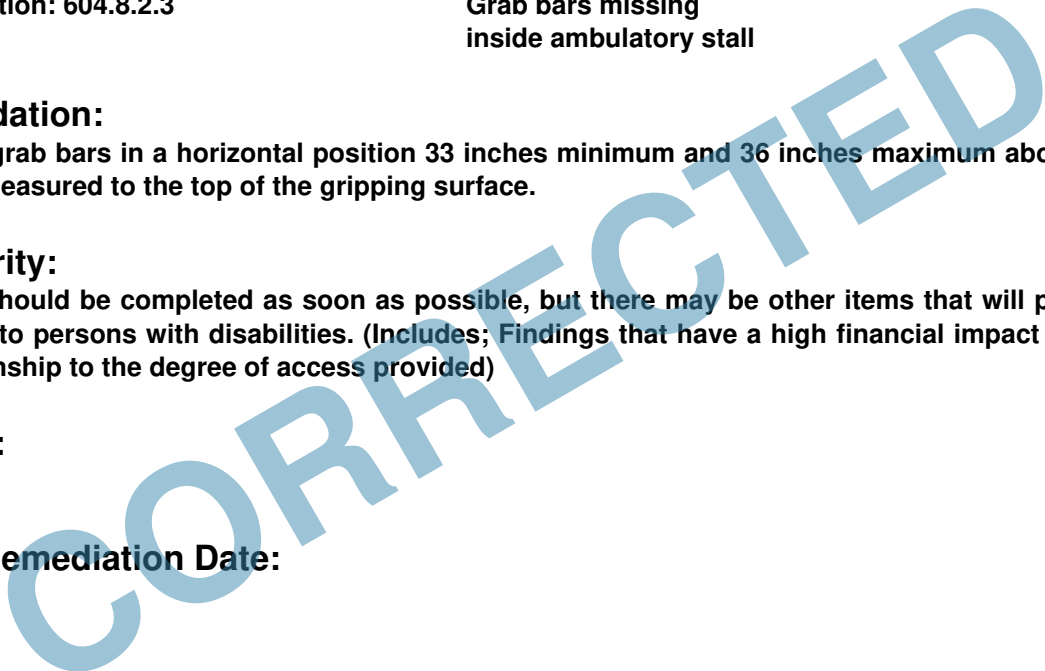
N/A

Estimated Remediation Date:

N/A

Notes:

N/A



Finding #83 Continued



Finding 299436 Main Photo

CORRECTED

1st Floor, N. side, Womens Restrooms (Orchestra Level)

Lat: 38.8308900000, Long: -104.8267000000

Finding: 84

Provide directional signage to the nearest accessible restrooms.

Signs that identify, direct to or give information about accessible elements and features of a building or site, shall have a non-glare finish, contrast with their background, be selected from fonts where the width of the uppercase letter "O" is 55 percent minimum and 110 percent maximum of the height of the uppercase letter "I". Characters shall be uppercase or lowercase or a combination of both, conventional in form and shall not be italic, oblique, script, highly decorative, or of other unusual forms and be sized according to the viewing distance.

2010 ADAS Section 216.8

Where existing toilet rooms or bathing rooms do not comply with 603, directional signs indicating the location of the nearest toilet room or bathing room complying with 603 within the facility shall be provided. Signs shall comply with 703.5 and shall include the International Symbol of Accessibility complying with 703.7.2.1. Where existing toilet rooms or bathing rooms do not comply with 603, the toilet rooms or bathing rooms complying with 603 shall be identified by the International Symbol of Accessibility complying with 703.7.2.1. Where clustered single user toilet rooms or bathing facilities are permitted to use exceptions to 213.2, toilet rooms or bathing facilities complying with 603 shall be identified by the International Symbol of Accessibility complying with 703.7.2.1 unless all toilet rooms and bathing facilities comply with 603.

Citation:

2010 ADAS Section: 216.8

As Built:

No directional signage identifying accessible restrooms location

Recommendation:

Install directional signage from ceiling directing public to accessible restrooms.

Barrier Priority:

3 (Moderate): Should be completed as soon as possible, but there may be other items that will provide greater access to persons with disabilities. (Includes; Findings that have a high financial impact on the entity in relationship to the degree of access provided)

Department:

N/A

Estimated Remediation Date:

N/A

Notes:

N/A



CORRECTED

1st Floor, N. side, Mens Restrooms (Orchestra Level)

Lat: 38.8308900000, Long: -104.8267000000

Finding: 85

The flush handle is located on the wrong side of the toilet.

Controls shall be operable with one hand and shall not require tight grasping, pinching or twisting. Controls for the flush valves shall be mounted on the wide side of toilet areas, no more than 48 inches above the floor.

2010 ADAS Section 604.6

Flush controls shall be hand operated or automatic. Hand operated flush controls shall comply with 309. Flush controls shall be located on the open side of the water closet except in ambulatory accessible compartments complying with 604.8.2.

Citation:

2010 ADAS Section: 604.6

As Built:

Flush handle located on wrong side

Recommendation:

Relocate flush handle to opposite side (open side of toilet area).

Barrier Priority:

3 (Moderate): Should be completed as soon as possible, but there may be other items that will provide greater access to persons with disabilities. (Includes; Findings that have a high financial impact on the entity in relationship to the degree of access provided)

Department:

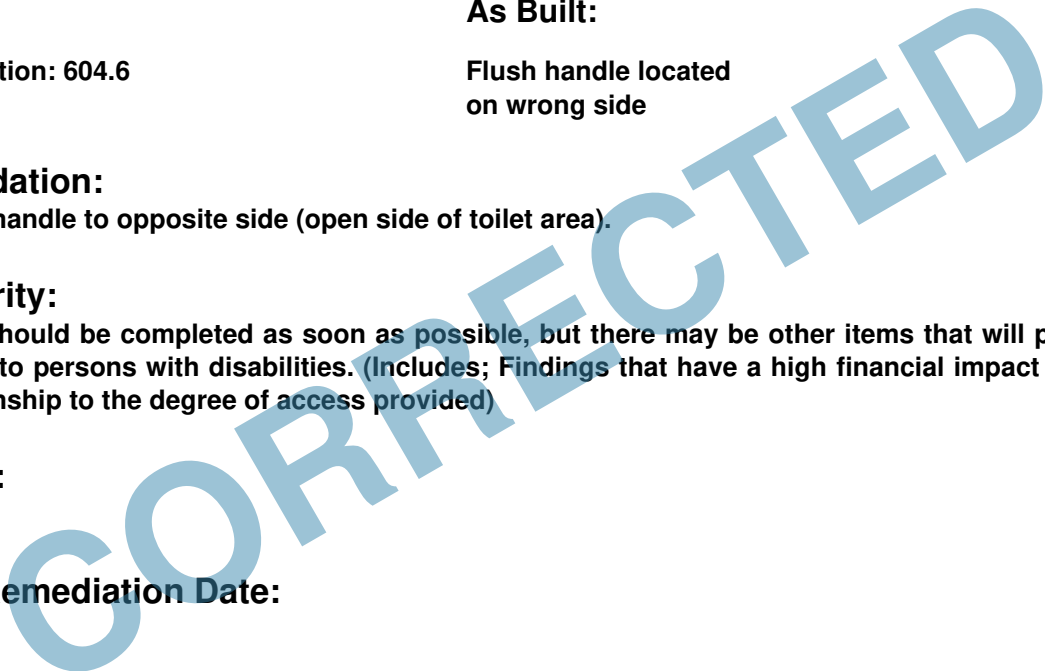
N/A

Estimated Remediation Date:

N/A

Notes:

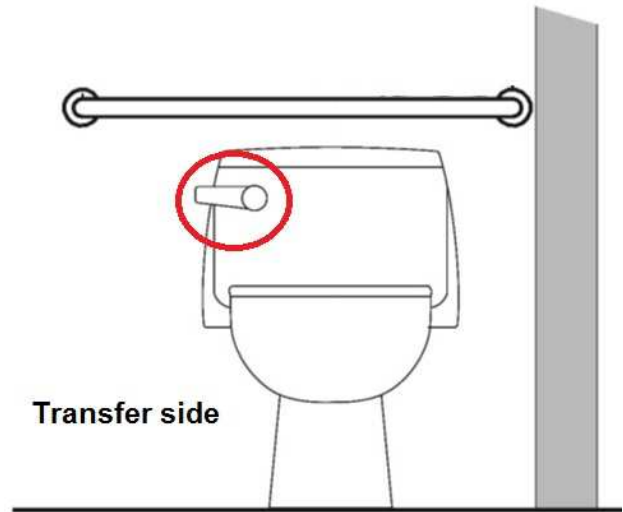
N/A



Finding #85 Continued



Finding 298987 Main Photo



CORRECTED

1st Floor, N. side, Mens Restrooms (Orchestra Level)

Lat: 38.8308900000, Long: -104.8267000000

Finding: 86

The baby changing table, in the down position, obstructs the landing at the door.

Landings for interior doors on the pull side with a forward approach must be a minimum distance of 60 inches in the direction of travel. The width of the landing must be as wide as the door plus an additional 18 inches on the strike side. The landing including strike side clearance must be clear of obstructions. Landings for interior doors on the push side with a forward approach must be a minimum distance of 48 inches in the direction of travel.

2010 ADAS Section 404.1

Doors, doorways, and gates that are part of an accessible route shall comply with 404.

Citation:

2010 ADAS Section: 404.1

As Built:

Limits entrance into
compartment stall to
28.5 inches

Recommendation:

Relocate baby changing station outside of compartment stall or reconfigure compartment stall to meet width requirements.

Barrier Priority:

3 (Moderate): Should be completed as soon as possible, but there may be other items that will provide greater access to persons with disabilities. (Includes; Findings that have a high financial impact on the entity in relationship to the degree of access provided)

Department:

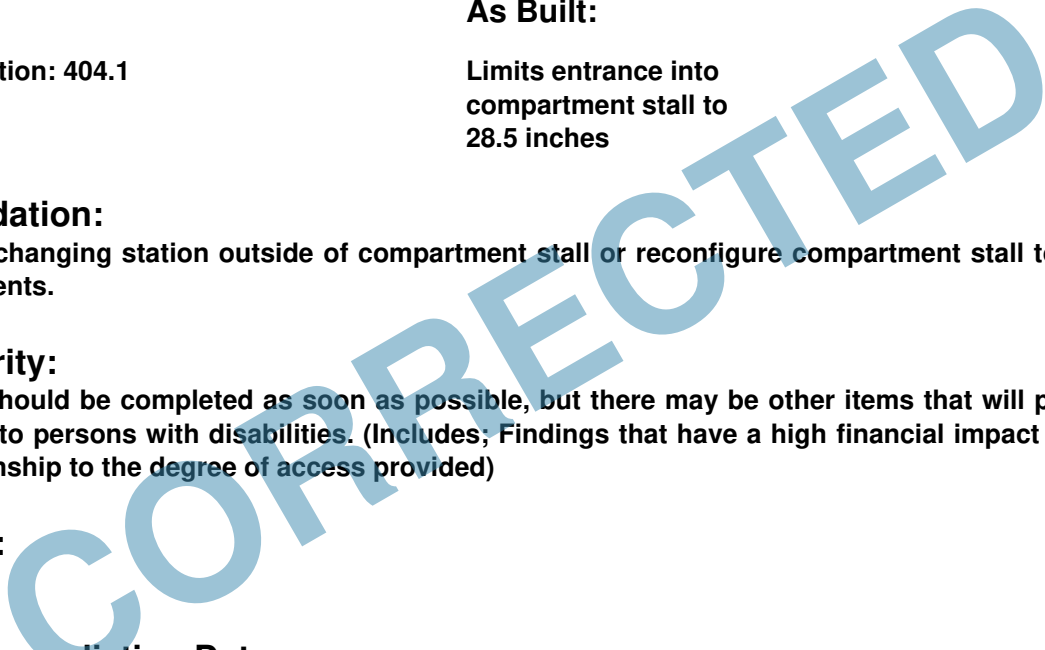
N/A

Estimated Remediation Date:

N/A

Notes:

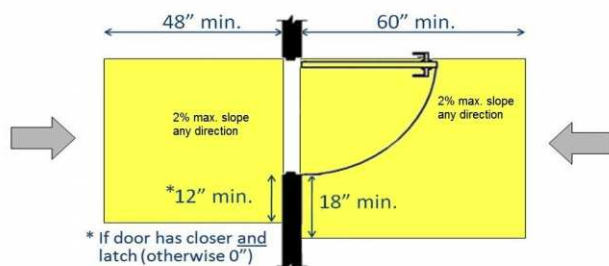
N/A



Finding #86 Continued



Finding 298988 Main Photo



CORRECTED

Finding #86 Additional Finding Photos



Finding 298988 Additional Photo

CORRECTED

1st Floor, N. side, Mens Restrooms (Orchestra Level)

Lat: 38.8308900000, Long: -104.8267000000

Finding: 87

Compliant room identification signs are missing.

Sign shall be located alongside the door at the latch side. Where a tactile sign is provided at double doors with one active leaf, the sign shall be located on the inactive leaf. Where a tactile sign is provided at double doors with two active leafs, the sign shall be located to the right of the right hand door. Where there is no wall space at the latch side of a single door or at the right side of double doors, signs shall be located on the nearest adjacent wall. Signs containing tactile characters shall be located so that a clear floor space of 18 inches minimum by 18 inches minimum, centered on the tactile characters, is provided beyond the arc of any door swing between the closed position and 45 degree open position.

Wall signs identifying permanent rooms and spaces of a building shall be in a horizontal format and the characters raised 1/32 inch minimum and shall be sans serif uppercase characters a minimum of 5/8 inch and a maximum of 2 inches high. Contracted Grade 2 Braille shall be in a horizontal format and shall be placed a minimum of 3/8 inch and a maximum of 1/2 inch directly below the tactile characters; flush left or centered. Dots shall be 1/10 inch on center in each cell with 2/10-inch space between cells, measured from the second column of dots in the first cell to the first column of dots in the second cell. Dots shall be raised a minimum of 1/40 inch above the background. Braille dots shall be domed or rounded. Signs with raised characters or Braille shall be located 48 inches minimum above the finish floor or ground surface, measured from the baseline of the lowest tactile character and 60 inches maximum above the finish floor or ground surface, measured from the baseline of the highest tactile character.

2010 ADAS Section 216.2

Interior and exterior signs identifying permanent rooms and spaces shall comply with 703.1, 703.2, and 703.5. Where pictograms are provided as designations of permanent interior rooms and spaces, the pictograms shall comply with 703.6 and shall have text descriptors complying with 703.2 and 703.5.

2010 ADAS Section 703.4.2

Where a tactile sign is provided at a door, the sign shall be located alongside the door at the latch side. Where a tactile sign is provided at double doors with one active leaf, the sign shall be located on the inactive leaf. Where a tactile sign is provided at double doors with two active leafs, the sign shall be located to the right of the right hand door. Where there is no wall space at the latch side of a single door or at the right side of double doors, signs shall be located on the nearest adjacent wall. Signs containing tactile characters shall be located so that a clear floor space of 18 inches (455 mm) minimum by 18 inches (455 mm) minimum, centered on the tactile characters, is provided beyond the arc of any door swing between the closed position and 45 degree open position.

Citation:

2010 ADAS Section: 216.2, 703.4.2

As Built:

Non compliant
restroom sign

Recommendation:

Place new sign alongside the door at the latch side or nearest adjacent wall. Braille characters shall

measured 48 inches minimum from the baseline of the lowest tactile character and 60 inches maximum above the finish floor or ground surface, measured from the baseline of the highest tactile character.

Barrier Priority:

3 (Moderate): Should be completed as soon as possible, but there may be other items that will provide greater access to persons with disabilities. (Includes; Findings that have a high financial impact on the entity in relationship to the degree of access provided)

Department:

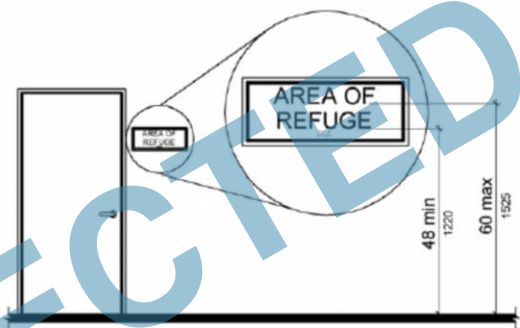
N/A

Estimated Remediation Date:

N/A

Notes:

N/A



Finding 298977 Main Photo

1st Floor, N. side, Mens Restrooms (Orchestra Level)

Lat: 38.8308900000, Long: -104.8267000000

Finding: 88

The compartment door landing does not have 18 inches of strike side clearance.

Landings for compartment doors on the pull side must be as wide as the door plus an additional 18 inches on the strike side.

2010 ADAS Section 404.2.4.1

Swinging doors and gates shall have maneuvering clearances complying with Table 404.2.4.1.

Citation:

2010 ADAS Section: 404.2.4.1

As Built:

Maneuvering space beyond the latch side of the door does not extend 18 inches

Recommendation:

Providing the minimum required width clearance to the restroom is technically infeasible at this time because existing structural conditions would require removing or altering a load-bearing member that is an essential part of the structural frame; or because other existing physical or site constraints prohibit modification or addition of elements, spaces, or features that are in full and strict compliance with the minimum requirements. Best practice measures are recommended to ensure restroom is accessible to the maximum extent feasible. Signage will be displayed at restroom door entrance directing customers to wheelchair accessible restrooms located on the south side of the orchestra level. Would recommend updating restroom when feasible or during alteration or new construction to meet current ADA standards.

Barrier Priority:

3 (Moderate): Should be completed as soon as possible, but there may be other items that will provide greater access to persons with disabilities. (Includes; Findings that have a high financial impact on the entity in relationship to the degree of access provided)

Department:

N/A

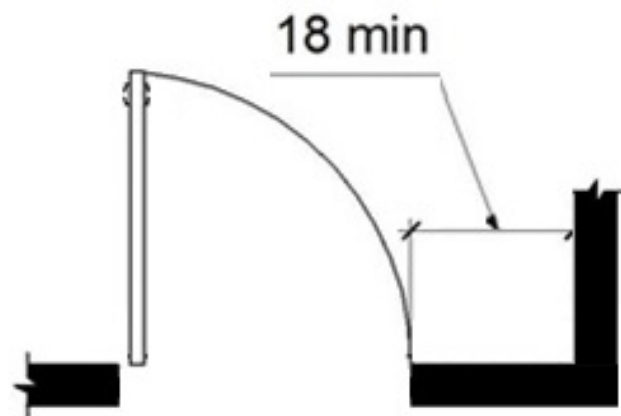
Estimated Remediation Date:

N/A

Notes:

N/A

Finding #88 Continued



Finding 298979 Main Photo

CORRECTED

Finding #88 Additional Finding Photos



Finding 298979 Additional Photo



Finding 298979 Additional Photo

CORRECTED

1st Floor, N. side, Mens Restrooms (Orchestra Level)

Lat: 38.8308900000, Long: -104.8267000000

Finding: 89

The water closet compartment door is missing a loop handle on the outside.

Water closet compartments must be equipped with a door that has a loop or U-shaped handle on both sides of the door immediately below the latch. The latch must be flip-over style, sliding or other hardware not requiring the user to grasp or twist.

2010 ADAS Section 604.8.1.2

Toilet compartment doors, including door hardware, shall comply with 404 except that if the approach is to the latch side of the compartment door, clearance between the door side of the compartment and any obstruction shall be 42 inches (1065 mm) minimum. Doors shall be located in the front partition or in the side wall or partition farthest from the water closet. Where located in the front partition, the door opening shall be 4 inches (100 mm) maximum from the side wall or partition farthest from the water closet. Where located in the side wall or partition, the door opening shall be 4 inches (100 mm) maximum from the front partition. The door shall be self-closing. A door pull complying with 404.2.7 shall be placed on both sides of the door near the latch. Toilet compartment doors shall not swing into the minimum required compartment area.

Citation:

2010 ADAS Section: 604.8.1.2

As Built:

Missing loop handle on outside of compartment door

Recommendation:

Install loop or U-shaped handle on outside of compartment door.

Barrier Priority:

3 (Moderate): Should be completed as soon as possible, but there may be other items that will provide greater access to persons with disabilities. (Includes; Findings that have a high financial impact on the entity in relationship to the degree of access provided)

Department:

N/A

Estimated Remediation Date:

N/A

Notes:

N/A

Finding #89 Continued



Finding 298980 Main Photo

CORRECTED

1st Floor, N. side, Mens Restrooms (Orchestra Level)

Lat: 38.8308900000, Long: -104.8267000000

Finding: 90

The compartment door is not self closing.

The water closet compartment shall be equipped with a door that has an automatic-closing device.

2010 ADAS Section 604.8.1.2

Toilet compartment doors, including door hardware, shall comply with 404 except that if the approach is to the latch side of the compartment door, clearance between the door side of the compartment and any obstruction shall be 42 inches (1065 mm) minimum. Doors shall be located in the front partition or in the side wall or partition farthest from the water closet. Where located in the front partition, the door opening shall be 4 inches (100 mm) maximum from the side wall or partition farthest from the water closet. Where located in the side wall or partition, the door opening shall be 4 inches (100 mm) maximum from the front partition. The door shall be self-closing. A door pull complying with 404.2.7 shall be placed on both sides of the door near the latch. Toilet compartment doors shall not swing into the minimum required compartment area.

Citation:

2010 ADAS Section: 604.8.1.2

As Built:

Compartment door not self-closing

Recommendation:

Adjust or install automatic closing hinges.

Barrier Priority:

3 (Moderate): Should be completed as soon as possible, but there may be other items that will provide greater access to persons with disabilities. (Includes; Findings that have a high financial impact on the entity in relationship to the degree of access provided)

Department:

N/A

Estimated Remediation Date:

N/A

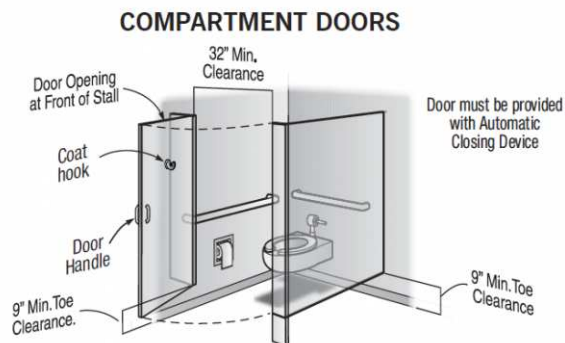
Notes:

N/A

Finding #90 Continued



Finding 298981 Main Photo



CORRECTED

1st Floor, N. side, Mens Restrooms (Orchestra Level)

Lat: 38.8308900000, Long: -104.8267000000

Finding: 91

The locking/latching hardware is not accessible.

Hand-activated door opening hardware, handles, pulls, latches, locks, and other operating devices on accessible doors shall have a shape that is easy to grasp with one hand and does not require tight grasping, tight pinching or twisting of the wrist to operate.

2010 ADAS Section 604.8.1.2

Toilet compartment doors, including door hardware, shall comply with 404 except that if the approach is to the latch side of the compartment door, clearance between the door side of the compartment and any obstruction shall be 42 inches (1065 mm) minimum. Doors shall be located in the front partition or in the side wall or partition farthest from the water closet. Where located in the front partition, the door opening shall be 4 inches (100 mm) maximum from the side wall or partition farthest from the water closet. Where located in the side wall or partition, the door opening shall be 4 inches (100 mm) maximum from the front partition. The door shall be self-closing. A door pull complying with 404.2.7 shall be placed on both sides of the door near the latch. Toilet compartment doors shall not swing into the minimum required compartment area.

Citation:

2010 ADAS Section: 604.8.1.2

As Built:

Requires tight grasping and twisting of the wrist

Recommendation:

Replace locking hardware with locking lever that does not require tight grasping, tight pinching or twisting of the wrist to operate.

Barrier Priority:

3 (Moderate): Should be completed as soon as possible, but there may be other items that will provide greater access to persons with disabilities. (Includes; Findings that have a high financial impact on the entity in relationship to the degree of access provided)

Department:

N/A

Estimated Remediation Date:

N/A

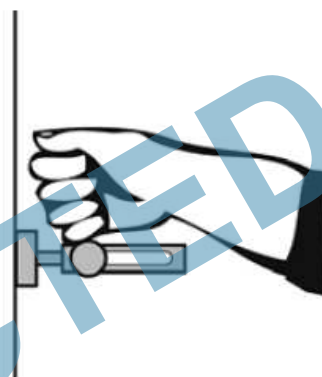
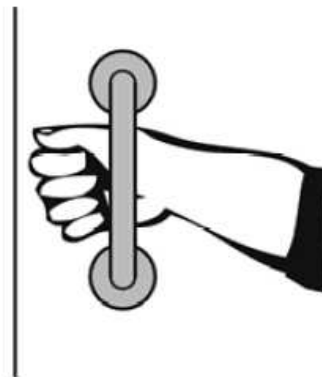
Notes:

N/A

Finding #91 Continued



Finding 298982 Main Photo



CORRECTED

1st Floor, N. side, Mens Restrooms (Orchestra Level)

Lat: 38.8308900000, Long: -104.8267000000

Finding: 92

The coat hook is installed greater than 48 inches above the finished floor.

Where a forward reach is unobstructed, the high forward reach shall be 48 inches maximum above the finished floor.

2010 ADAS Section 308.2.1

Where a forward reach is unobstructed, the high forward reach shall be 48 inches (1220 mm) maximum and the low forward reach shall be 15 inches (380 mm) minimum above the finish floor or ground.

Citation:

2010 ADAS Section: 308.2.1

As Built:

59.5 inches above
finished floor

Recommendation:

Lower coat hook 13 inches minimum. Not to exceed a maximum height of 48 inches above finished floor.

Barrier Priority:

3 (Moderate): Should be completed as soon as possible, but there may be other items that will provide greater access to persons with disabilities. (Includes; Findings that have a high financial impact on the entity in relationship to the degree of access provided)

Department:

N/A

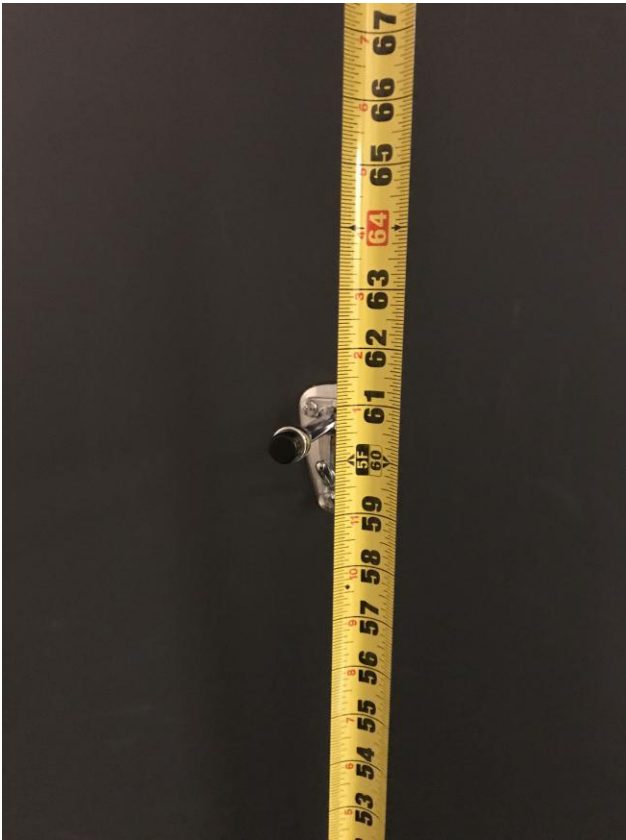
Estimated Remediation Date:

N/A

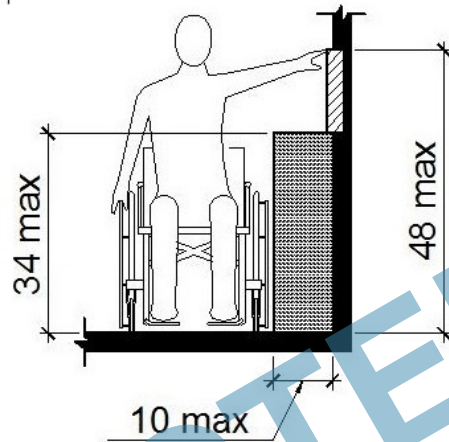
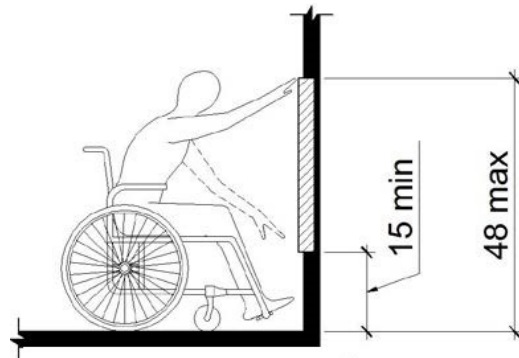
Notes:

N/A

Finding #92 Continued



Finding 298983 Main Photo



Considered
Unobstructed

CORRECTED

1st Floor, N. side, Mens Restrooms (Orchestra Level)

Lat: 38.8308900000, Long: -104.8267000000

Finding: 93

The side grab bar does not extend far enough from the rear wall.

The side grab bar must extend at least 54 inches minimum beyond the rear wall and start a maximum of 12 inches from the rear wall. A 42 inch grab bar installed the maximum distance from the rear wall (12 inches) will leave the leading end 54 inches from the rear wall. Grab bars shall be installed in a horizontal position, 33 inches minimum and 36 inches maximum above the finish floor measured to the top of the gripping surface.

2010 ADAS Section 604.5.1

The side wall grab bar shall be 42 inches (1065 mm) long minimum, located 12 inches (305 mm) maximum from the rear wall and extending 54 inches (1370 mm) minimum from the rear wall.

Citation:

2010 ADAS Section: 604.5.1

As Built:

Extends 51.75 inches from rear wall

Recommendation:

Adjust side grab bar not to exceed 12 inches from rear wall. The side grab bar must extend at least 54 inches minimum beyond the rear wall.

Barrier Priority:

3 (Moderate): Should be completed as soon as possible, but there may be other items that will provide greater access to persons with disabilities. (Includes; Findings that have a high financial impact on the entity in relationship to the degree of access provided)

Department:

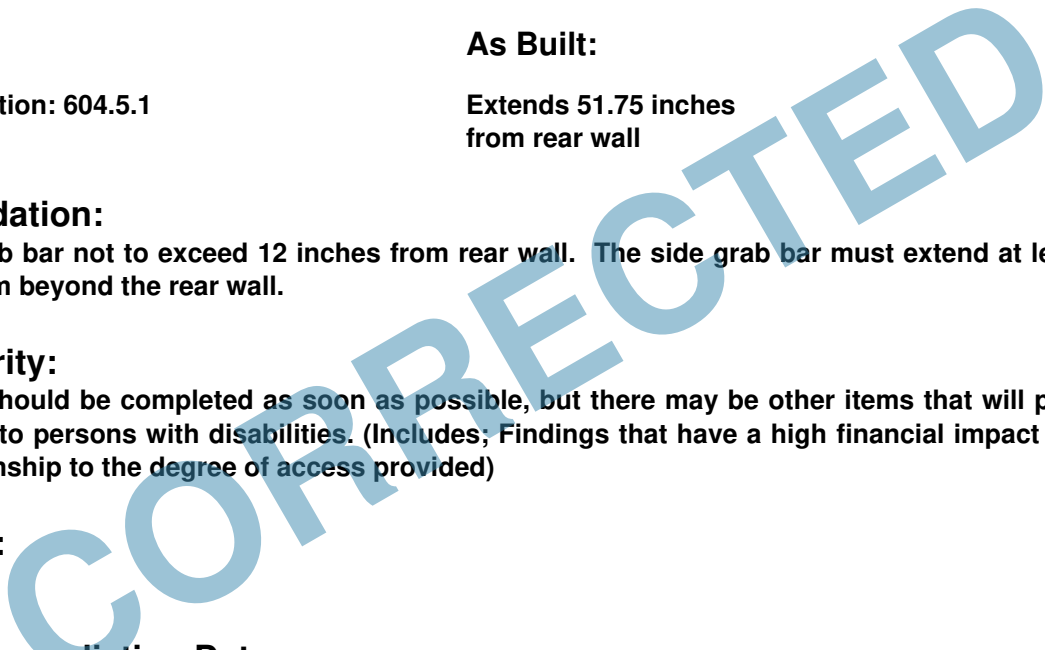
N/A

Estimated Remediation Date:

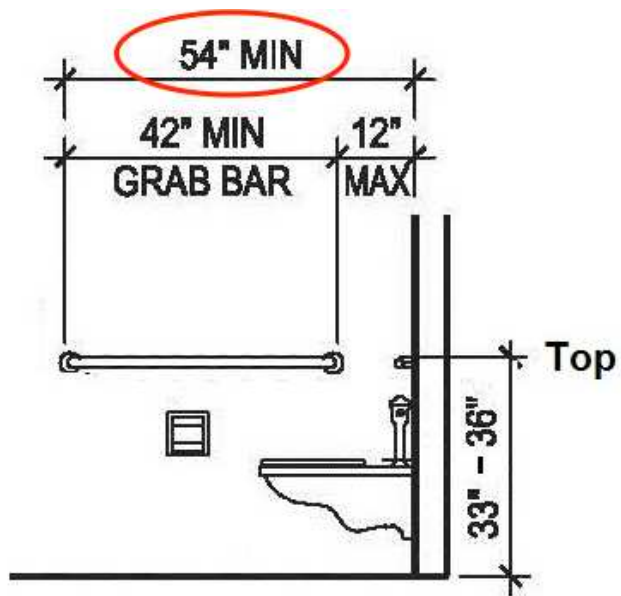
N/A

Notes:

N/A



Finding #93 Continued



Finding 298985 Main Photo

CORRECTED

1st Floor, N. side, Mens Restrooms (Orchestra Level)

Lat: 38.8308900000, Long: -104.8267000000

Finding: 94

The coat hook is installed greater than 48 inches above the finished floor.

Where a forward reach is unobstructed, the high forward reach shall be 48 inches maximum above the finished floor.

2010 ADAS Section 308.2.1

Where a forward reach is unobstructed, the high forward reach shall be 48 inches (1220 mm) maximum and the low forward reach shall be 15 inches (380 mm) minimum above the finish floor or ground.

Citation:

2010 ADAS Section: 308.2.1

As Built:

Ambulatory stall coat
hook at 66 inches
above finished floor

Recommendation:

Lower coat hook 19 inches minimum or install another coat hook not to exceed a maximum height of 48 inches above finished floor.

Barrier Priority:

3 (Moderate): Should be completed as soon as possible, but there may be other items that will provide greater access to persons with disabilities. (Includes; Findings that have a high financial impact on the entity in relationship to the degree of access provided)

Department:

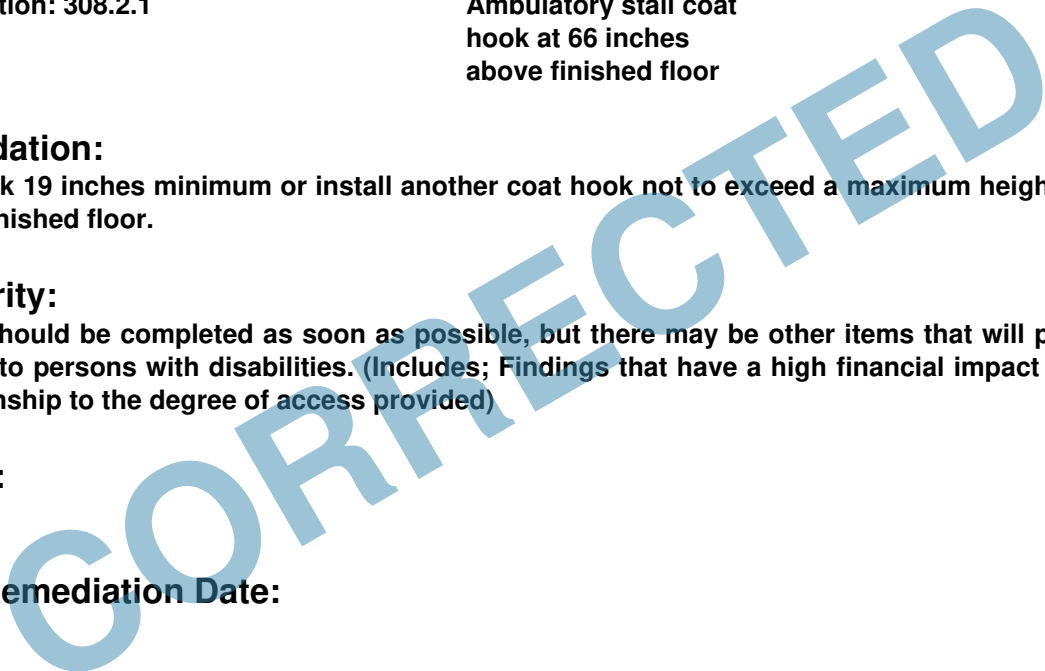
N/A

Estimated Remediation Date:

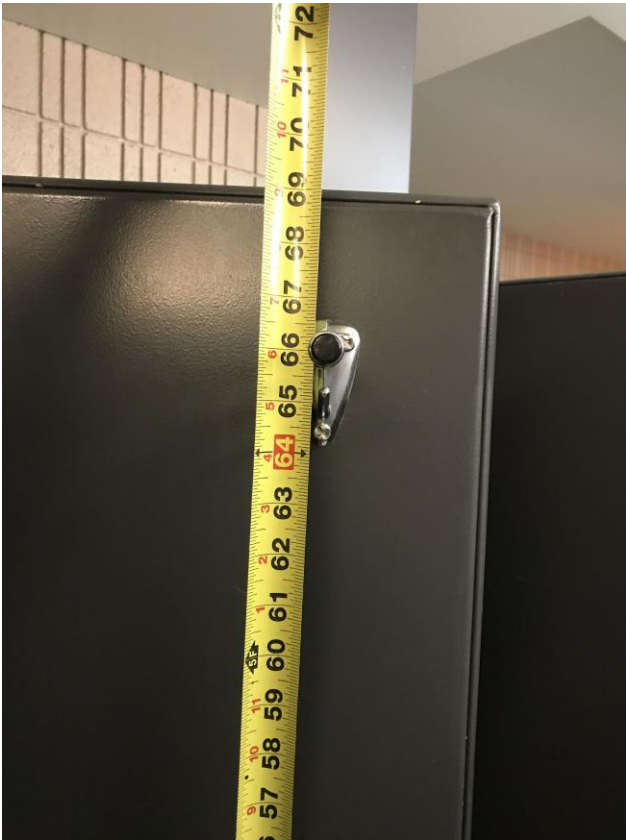
N/A

Notes:

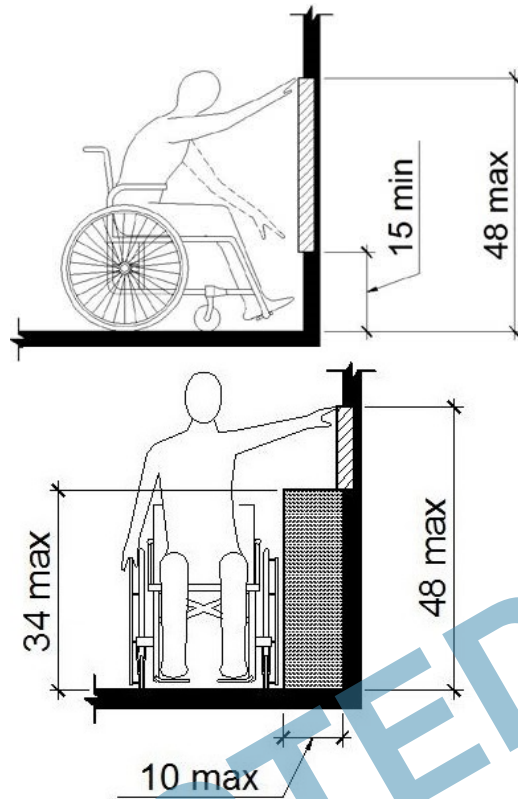
N/A



Finding #94 Continued



Finding 299423 Main Photo



Considered
Unobstructed

CORRECTED

1st Floor, N. side, Mens Restrooms (Orchestra Level)

Lat: 38.8308900000, Long: -104.8267000000

Finding: 95

The compartment door is not self closing.

The water closet compartment shall be equipped with a door that has an automatic-closing device.

2010 ADAS Section 604.8.1.2

Toilet compartment doors, including door hardware, shall comply with 404 except that if the approach is to the latch side of the compartment door, clearance between the door side of the compartment and any obstruction shall be 42 inches (1065 mm) minimum. Doors shall be located in the front partition or in the side wall or partition farthest from the water closet. Where located in the front partition, the door opening shall be 4 inches (100 mm) maximum from the side wall or partition farthest from the water closet. Where located in the side wall or partition, the door opening shall be 4 inches (100 mm) maximum from the front partition. The door shall be self-closing. A door pull complying with 404.2.7 shall be placed on both sides of the door near the latch. Toilet compartment doors shall not swing into the minimum required compartment area.

Citation:

2010 ADAS Section: 604.8.1.2

As Built:

Ambulatory stall door
not self closing

Recommendation:

Adjust or install automatic closing hinges.

Barrier Priority:

3 (Moderate): Should be completed as soon as possible, but there may be other items that will provide greater access to persons with disabilities. (Includes; Findings that have a high financial impact on the entity in relationship to the degree of access provided)

Department:

N/A

Estimated Remediation Date:

N/A

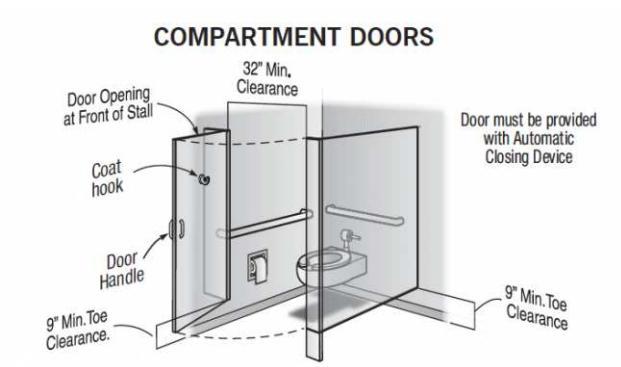
Notes:

N/A

Finding #95 Continued



Finding 299424 Main Photo



CORRECTED

1st Floor, N. side, Mens Restrooms (Orchestra Level)

Lat: 38.8308900000, Long: -104.8267000000

Finding: 96

The toilet paper is not installed within the compliant range.

Toilet paper dispensers shall be 7 inches minimum and 9 inches maximum in front of the water closet measured to the centerline of the dispenser. The outlet of the dispenser shall be 15 inches minimum and 48 inches maximum above the finish floor and shall not be located behind grab bars. Dispensers shall not be of a type that controls delivery or that does not allow continuous paper flow. There shall be a clearance of 1 1/2 inches minimum below the grab bar.

2010 ADAS Section 604.7

Toilet paper dispensers shall comply with 309.4 and shall be 7 inches (180 mm) minimum and 9 inches (230 mm) maximum in front of the water closet measured to the centerline of the dispenser. The outlet of the dispenser shall be 15 inches (380 mm) minimum and 48 inches (1220 mm) maximum above the finish floor and shall not be located behind grab bars. Dispensers shall not be of a type that controls delivery or that does not allow continuous paper flow.

Citation:

2010 ADAS Section: 604.7

As Built:

Ambulatory stall toilet paper dispenser 5 inches in front of toilet

Recommendation:

Re-position toilet paper dispenser to be within 7 inches minimum to 9 inches maximum in front of the toilet measured to the centerline of the dispenser.

Barrier Priority:

3 (Moderate): Should be completed as soon as possible, but there may be other items that will provide greater access to persons with disabilities. (Includes; Findings that have a high financial impact on the entity in relationship to the degree of access provided)

Department:

N/A

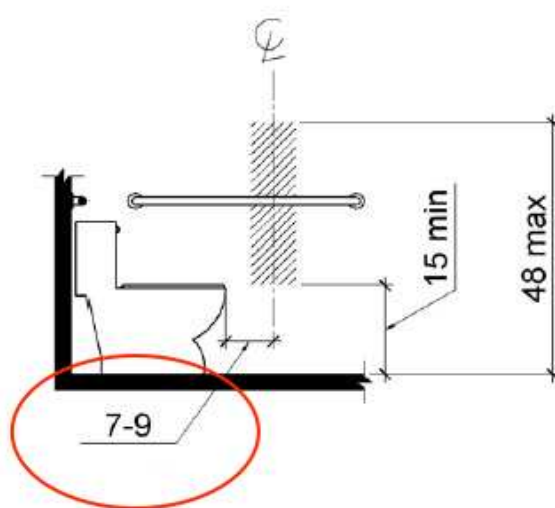
Estimated Remediation Date:

N/A

Notes:

N/A

Finding #96 Continued



Finding 299425 Main Photo

CORRECTED

1st Floor, N. side, Mens Restrooms (Orchestra Level)

Lat: 38.8308900000, Long: -104.8267000000

Finding: 97

The locking/latching hardware is not accessible.

Hand-activated door opening hardware, handles, pulls, latches, locks, and other operating devices on accessible doors shall have a shape that is easy to grasp with one hand and does not require tight grasping, tight pinching or twisting of the wrist to operate.

2010 ADAS Section 604.8.1.2

Toilet compartment doors, including door hardware, shall comply with 404 except that if the approach is to the latch side of the compartment door, clearance between the door side of the compartment and any obstruction shall be 42 inches (1065 mm) minimum. Doors shall be located in the front partition or in the side wall or partition farthest from the water closet. Where located in the front partition, the door opening shall be 4 inches (100 mm) maximum from the side wall or partition farthest from the water closet. Where located in the side wall or partition, the door opening shall be 4 inches (100 mm) maximum from the front partition. The door shall be self-closing. A door pull complying with 404.2.7 shall be placed on both sides of the door near the latch. Toilet compartment doors shall not swing into the minimum required compartment area.

Citation:

2010 ADAS Section: 604.8.1.2

As Built:

Ambulatory door lock requires tight grasping and twisting of the wrist

Recommendation:

Replace locking hardware with locking lever that does not require tight grasping, tight pinching or twisting of the wrist to operate.

Barrier Priority:

3 (Moderate): Should be completed as soon as possible, but there may be other items that will provide greater access to persons with disabilities. (Includes; Findings that have a high financial impact on the entity in relationship to the degree of access provided)

Department:

N/A

Estimated Remediation Date:

N/A

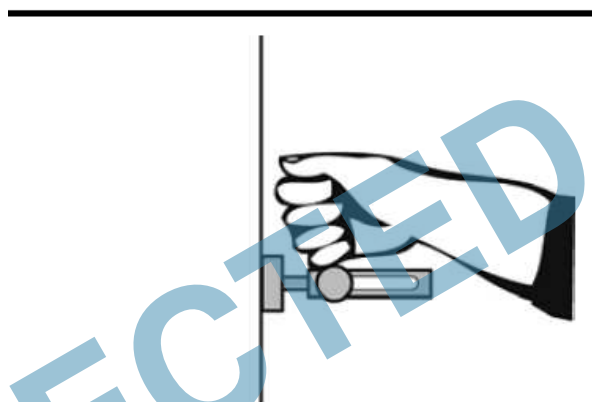
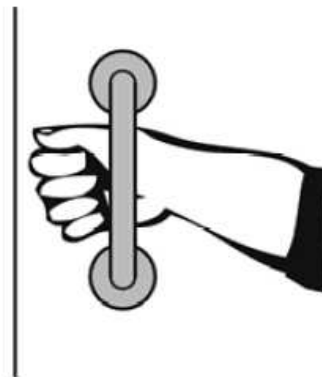
Notes:

N/A

Finding #97 Continued



Finding 299426 Main Photo



CORRECTED

1st Floor, N. side, Mens Restrooms (Orchestra Level)

Lat: 38.8308900000, Long: -104.8267000000

Finding: 98

The water closet compartment door is missing a loop handle.

Water closet compartments must be equipped with a door that has a loop or U-shaped handle on both sides of the door immediately below the latch. The latch must be flip-over style, sliding or other hardware not requiring the user to grasp or twist.

2010 ADAS Section 604.8.1.2

Toilet compartment doors, including door hardware, shall comply with 404 except that if the approach is to the latch side of the compartment door, clearance between the door side of the compartment and any obstruction shall be 42 inches (1065 mm) minimum. Doors shall be located in the front partition or in the side wall or partition farthest from the water closet. Where located in the front partition, the door opening shall be 4 inches (100 mm) maximum from the side wall or partition farthest from the water closet. Where located in the side wall or partition, the door opening shall be 4 inches (100 mm) maximum from the front partition. The door shall be self-closing. A door pull complying with 404.2.7 shall be placed on both sides of the door near the latch. Toilet compartment doors shall not swing into the minimum required compartment area.

Citation:

2010 ADAS Section: 604.8.1.2

As Built:

Both loop handles missing on ambulatory stall door

Recommendation:

Install loop or U-shaped handles on compartment door.

Barrier Priority:

3 (Moderate): Should be completed as soon as possible, but there may be other items that will provide greater access to persons with disabilities. (Includes; Findings that have a high financial impact on the entity in relationship to the degree of access provided)

Department:

N/A

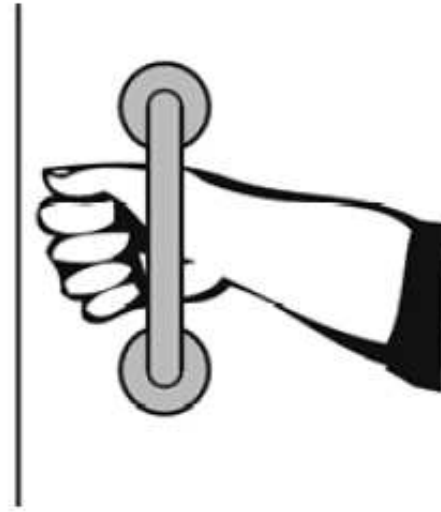
Estimated Remediation Date:

N/A

Notes:

N/A

Finding #98 Continued



Finding 299432 Main Photo

CORRECTED

1st Floor, N. side, Mens Restrooms (Orchestra Level)

Lat: 38.8308900000, Long: -104.8267000000

Finding: 99

Grab bars shall be provided on both sides of the compartment.

The side wall grab bar shall be 42 inches long minimum, located 12 inches maximum from the rear wall and extending 54 inches minimum from the rear wall.

2010 ADAS Section 604.8.2.3

Grab bars shall comply with 609. A side-wall grab bar complying with 604.5.1 shall be provided on both sides of the compartment.

Citation:

2010 ADAS Section: 604.8.2.3

As Built:

Grab bars missing
inside ambulatory stall

Recommendation:

Install 42 inch grab bars in a horizontal position 33 inches minimum and 36 inches maximum above the finished floor measured to the top of the gripping surface.

Barrier Priority:

3 (Moderate): Should be completed as soon as possible, but there may be other items that will provide greater access to persons with disabilities. (Includes; Findings that have a high financial impact on the entity in relationship to the degree of access provided)

Department:

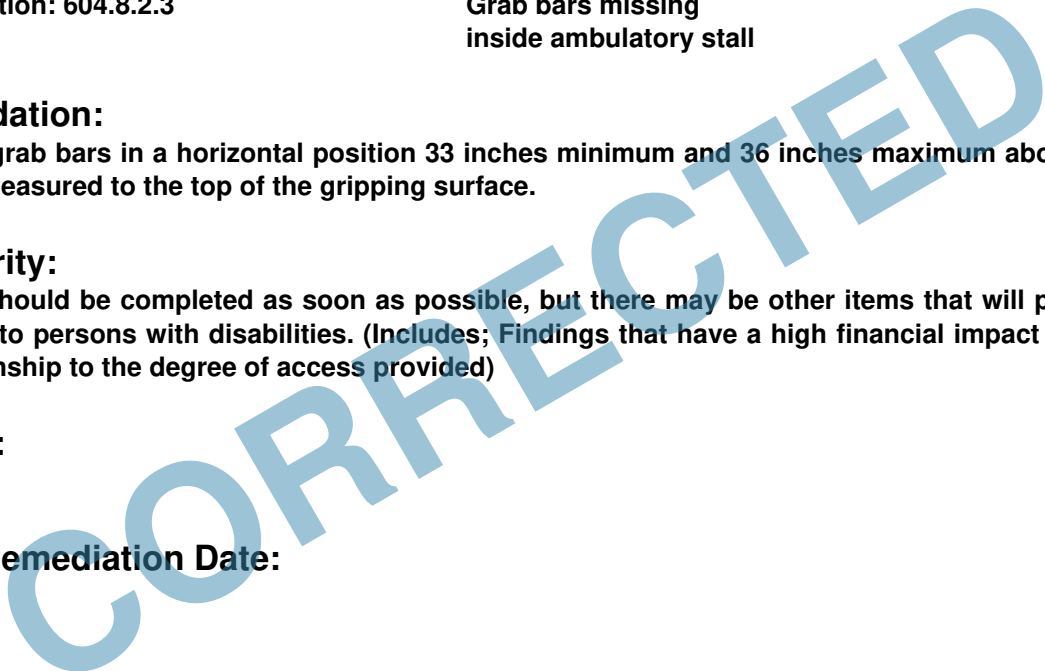
N/A

Estimated Remediation Date:

N/A

Notes:

N/A



Finding #99 Continued



Finding 299437 Main Photo

CORRECTED

1st Floor, S. side, Womens Restrooms (Orchestra Level)

Lat: 38.8309600000, Long: -104.8266000000

Finding: 100

See below recommendation.

*2010 ADAS Section Recommended
None*

Citation:

2010 ADAS Section: Recommended

As Built:

Compliant -
Recommendation

Recommendation:

Relocate partition to expand size into stall to accommodate motorized wheelchairs. "Best Practice"

Barrier Priority:

3 (Moderate): Should be completed as soon as possible, but there may be other items that will provide greater access to persons with disabilities. (Includes; Findings that have a high financial impact on the entity in relationship to the degree of access provided)

Department:

N/A

Estimated Remediation Date:

N/A

Notes:

N/A

CORRECTED

Finding #100 Continued



Finding 137857 Main Photo

1st Floor, S. side, Womens Restrooms (Orchestra Level)

Lat: 38.8308867000, Long: -104.8266744000

Finding: 101

Although the lavatory faucet is compliant, as a recommendation, install a sensor activated faucet due to special circumstance.

2010 ADAS Section Recommended
None

Citation:	As Built:
2010 ADAS Section: Recommended	Compliant

Recommendation:
Install sensor activated faucet in south women's restroom in lavatory closest to main entrance.

Barrier Priority:
3 (Moderate): Should be completed as soon as possible, but there may be other items that will provide greater access to persons with disabilities. (Includes; Findings that have a high financial impact on the entity in relationship to the degree of access provided)

Department:
N/A

Estimated Remediation Date:
N/A

Notes:
N/A

CORRECTED

Finding #101 Continued



Finding 297293 Main Photo

CORRECTED

1st Floor, S. side, Womens Restrooms (Orchestra Level)

Lat: 38.8308900000, Long: -104.8267000000

Finding: 102

Compliant room identification signs are missing.

Sign shall be located alongside the door at the latch side. Where a tactile sign is provided at double doors with one active leaf, the sign shall be located on the inactive leaf. Where a tactile sign is provided at double doors with two active leafs, the sign shall be located to the right of the right hand door. Where there is no wall space at the latch side of a single door or at the right side of double doors, signs shall be located on the nearest adjacent wall. Signs containing tactile characters shall be located so that a clear floor space of 18 inches minimum by 18 inches minimum, centered on the tactile characters, is provided beyond the arc of any door swing between the closed position and 45 degree open position.

Wall signs identifying permanent rooms and spaces of a building shall be in a horizontal format and the characters raised 1/32 inch minimum and shall be sans serif uppercase characters a minimum of 5/8 inch and a maximum of 2 inches high. Contracted Grade 2 Braille shall be in a horizontal format and shall be placed a minimum of 3/8 inch and a maximum of 1/2 inch directly below the tactile characters; flush left or centered. Dots shall be 1/10 inch on center in each cell with 2/10-inch space between cells, measured from the second column of dots in the first cell to the first column of dots in the second cell. Dots shall be raised a minimum of 1/40 inch above the background. Braille dots shall be domed or rounded. Signs with raised characters or Braille shall be located 48 inches minimum above the finish floor or ground surface, measured from the baseline of the lowest tactile character and 60 inches maximum above the finish floor or ground surface, measured from the baseline of the highest tactile character.

2010 ADAS Section 216.2

Interior and exterior signs identifying permanent rooms and spaces shall comply with 703.1, 703.2, and 703.5. Where pictograms are provided as designations of permanent interior rooms and spaces, the pictograms shall comply with 703.6 and shall have text descriptors complying with 703.2 and 703.5.

2010 ADAS Section 703.4.2

Where a tactile sign is provided at a door, the sign shall be located alongside the door at the latch side. Where a tactile sign is provided at double doors with one active leaf, the sign shall be located on the inactive leaf. Where a tactile sign is provided at double doors with two active leafs, the sign shall be located to the right of the right hand door. Where there is no wall space at the latch side of a single door or at the right side of double doors, signs shall be located on the nearest adjacent wall. Signs containing tactile characters shall be located so that a clear floor space of 18 inches (455 mm) minimum by 18 inches (455 mm) minimum, centered on the tactile characters, is provided beyond the arc of any door swing between the closed position and 45 degree open position.

Citation:

2010 ADAS Section: 216.2, 703.4.2

As Built:

Non compliant
restroom sign

Recommendation:

Place new sign alongside the door at the latch side or nearest adjacent wall. Braille characters shall

measured 48 inches minimum from the baseline of the lowest tactile character and 60 inches maximum above the finish floor or ground surface, measured from the baseline of the highest tactile character.

Barrier Priority:

3 (Moderate): Should be completed as soon as possible, but there may be other items that will provide greater access to persons with disabilities. (Includes; Findings that have a high financial impact on the entity in relationship to the degree of access provided)

Department:

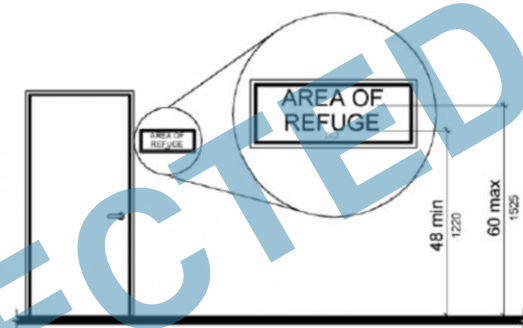
N/A

Estimated Remediation Date:

N/A

Notes:

N/A



Finding 299001 Main Photo

1st Floor, S. side, Womens Restrooms (Orchestra Level)

Lat: 38.8308900000, Long: -104.8267000000

Finding: 103

The compartment door is not self closing.

The water closet compartment shall be equipped with a door that has an automatic-closing device.

2010 ADAS Section 604.8.1.2

Toilet compartment doors, including door hardware, shall comply with 404 except that if the approach is to the latch side of the compartment door, clearance between the door side of the compartment and any obstruction shall be 42 inches (1065 mm) minimum. Doors shall be located in the front partition or in the side wall or partition farthest from the water closet. Where located in the front partition, the door opening shall be 4 inches (100 mm) maximum from the side wall or partition farthest from the water closet. Where located in the side wall or partition, the door opening shall be 4 inches (100 mm) maximum from the front partition. The door shall be self-closing. A door pull complying with 404.2.7 shall be placed on both sides of the door near the latch. Toilet compartment doors shall not swing into the minimum required compartment area.

Citation:

2010 ADAS Section: 604.8.1.2

As Built:

Compartment door not self-closing

Recommendation:

Adjust or install automatic closing hinges.

Barrier Priority:

3 (Moderate): Should be completed as soon as possible, but there may be other items that will provide greater access to persons with disabilities. (Includes; Findings that have a high financial impact on the entity in relationship to the degree of access provided)

Department:

N/A

Estimated Remediation Date:

N/A

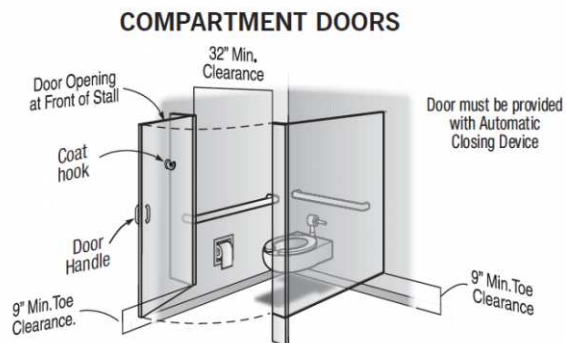
Notes:

N/A

Finding #103 Continued



Finding 299003 Main Photo



CORRECTED

1st Floor, S. side, Womens Restrooms (Orchestra Level)

Lat: 38.8308900000, Long: -104.8267000000

Finding: 104

The locking/latching hardware is not accessible.

Hand-activated door opening hardware, handles, pulls, latches, locks, and other operating devices on accessible doors shall have a shape that is easy to grasp with one hand and does not require tight grasping, tight pinching or twisting of the wrist to operate.

2010 ADAS Section 604.8.1.2

Toilet compartment doors, including door hardware, shall comply with 404 except that if the approach is to the latch side of the compartment door, clearance between the door side of the compartment and any obstruction shall be 42 inches (1065 mm) minimum. Doors shall be located in the front partition or in the side wall or partition farthest from the water closet. Where located in the front partition, the door opening shall be 4 inches (100 mm) maximum from the side wall or partition farthest from the water closet. Where located in the side wall or partition, the door opening shall be 4 inches (100 mm) maximum from the front partition. The door shall be self-closing. A door pull complying with 404.2.7 shall be placed on both sides of the door near the latch. Toilet compartment doors shall not swing into the minimum required compartment area.

Citation:

2010 ADAS Section: 604.8.1.2

As Built:

Requires tight grasping and twisting of the wrist

Recommendation:

Replace locking hardware with locking lever that does not require tight grasping, pinching or twisting of the wrist to operate.

Barrier Priority:

3 (Moderate): Should be completed as soon as possible, but there may be other items that will provide greater access to persons with disabilities. (Includes; Findings that have a high financial impact on the entity in relationship to the degree of access provided)

Department:

N/A

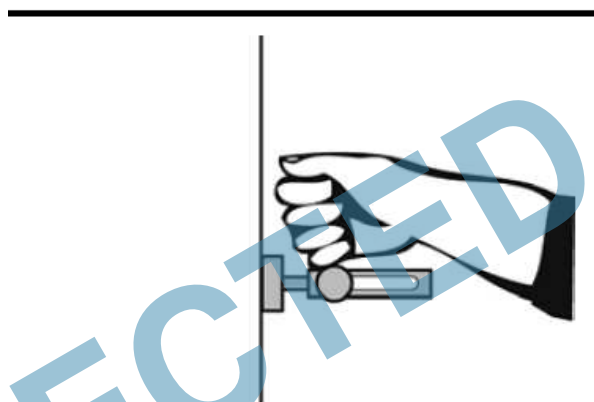
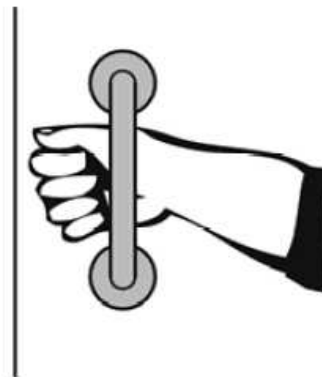
Estimated Remediation Date:

N/A

Notes:

N/A

Finding #104 Continued



Finding 299004 Main Photo

CORRECTED

1st Floor, S. side, Womens Restrooms (Orchestra Level)

Lat: 38.8308900000, Long: -104.8267000000

Finding: 105

The coat hook is installed greater than 48 inches above the finished floor.

Where a forward reach is unobstructed, the high forward reach shall be 48 inches maximum above the finished floor.

2010 ADAS Section 308.2.1

Where a forward reach is unobstructed, the high forward reach shall be 48 inches (1220 mm) maximum and the low forward reach shall be 15 inches (380 mm) minimum above the finish floor or ground.

Citation:

2010 ADAS Section: 308.2.1

As Built:

60 inches above finished floor

Recommendation:

Lower coat hook 13 inches minimum. Not to exceed a maximum height of 48 inches above finished floor.

Barrier Priority:

3 (Moderate): Should be completed as soon as possible, but there may be other items that will provide greater access to persons with disabilities. (Includes; Findings that have a high financial impact on the entity in relationship to the degree of access provided)

Department:

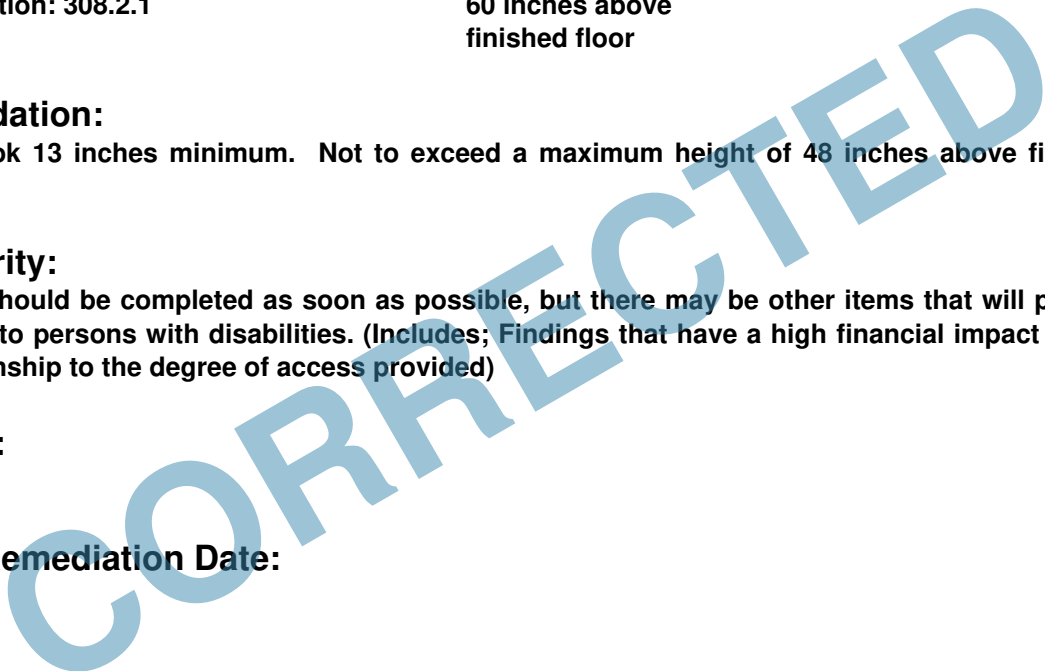
N/A

Estimated Remediation Date:

N/A

Notes:

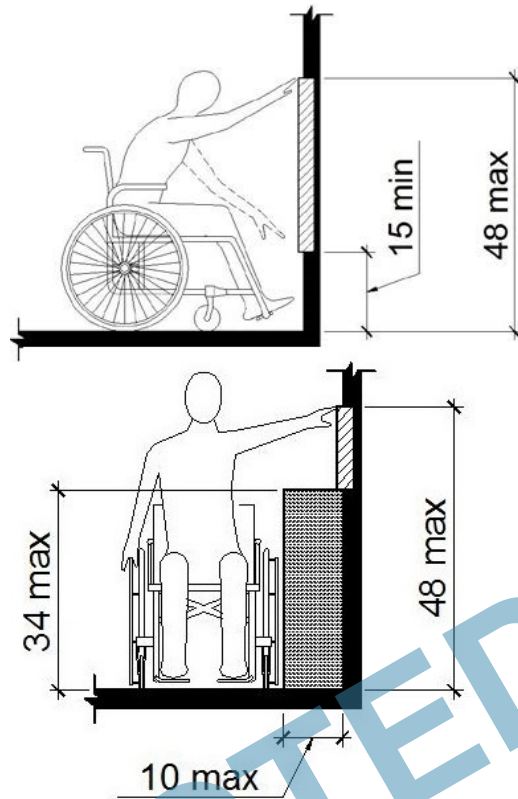
N/A



Finding #105 Continued



Finding 299005 Main Photo



Considered
Unobstructed

CORRECTED

1st Floor, S. side, Womens Restrooms (Orchestra Level)

Lat: 38.8308900000, Long: -104.8267000000

Finding: 106

The toilet compartment is not wide enough.

Wheelchair accessible compartments shall be 60 inches wide minimum measured perpendicular to the side wall, and 56 inches deep minimum for wall hung water closets and 59 inches deep minimum for floor mounted water closets measured perpendicular to the rear wall.

2010 ADAS Section 604.8.1.1

Wheelchair accessible compartments shall be 60 inches (1525 mm) wide minimum measured perpendicular to the side wall, and 56 inches (1420 mm) deep minimum for wall hung water closets and 59 inches (1500 mm) deep minimum for floor mounted water closets measured perpendicular to the rear wall. Wheelchair accessible compartments for children's use shall be 60 inches (1525 mm) wide minimum measured perpendicular to the side wall, and 59 inches (1500 mm) deep minimum for wall hung and floor mounted water closets measured perpendicular to the rear wall.

Citation:

2010 ADAS Section: 604.8.1.1

As Built:

59 inches in width

Recommendation:

Adjust side partition to provide an additional inch of clearance.

Barrier Priority:

3 (Moderate): Should be completed as soon as possible, but there may be other items that will provide greater access to persons with disabilities. (Includes; Findings that have a high financial impact on the entity in relationship to the degree of access provided)

Department:

N/A

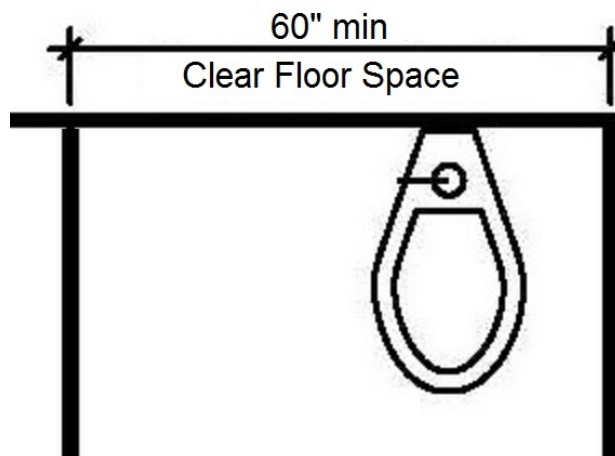
Estimated Remediation Date:

N/A

Notes:

N/A

Finding #106 Continued



Finding 299006 Main Photo

CORRECTED

Finding #106 Additional Finding Photos



Finding 299006 Additional Photo

CORRECTED

1st Floor, S. side, Womens Restrooms (Orchestra Level)

Lat: 38.8309600000, Long: -104.8266000000

Finding: 107

The water closet compartment door is missing a loop handle.

Water closet compartments must be equipped with a door that has a loop or U-shaped handle on both sides of the door immediately below the latch. The latch must be flip-over style, sliding or other hardware not requiring the user to grasp or twist.

2010 ADAS Section 604.8.1.2

Toilet compartment doors, including door hardware, shall comply with 404 except that if the approach is to the latch side of the compartment door, clearance between the door side of the compartment and any obstruction shall be 42 inches (1065 mm) minimum. Doors shall be located in the front partition or in the side wall or partition farthest from the water closet. Where located in the front partition, the door opening shall be 4 inches (100 mm) maximum from the side wall or partition farthest from the water closet. Where located in the side wall or partition, the door opening shall be 4 inches (100 mm) maximum from the front partition. The door shall be self-closing. A door pull complying with 404.2.7 shall be placed on both sides of the door near the latch. Toilet compartment doors shall not swing into the minimum required compartment area.

Citation:

2010 ADAS Section: 604.8.1.2

As Built:

Missing loop handle on outside of door.

Recommendation:

Install loop or U-shaped handle on outside of compartment door.

Barrier Priority:

3 (Moderate): Should be completed as soon as possible, but there may be other items that will provide greater access to persons with disabilities. (Includes; Findings that have a high financial impact on the entity in relationship to the degree of access provided)

Department:

N/A

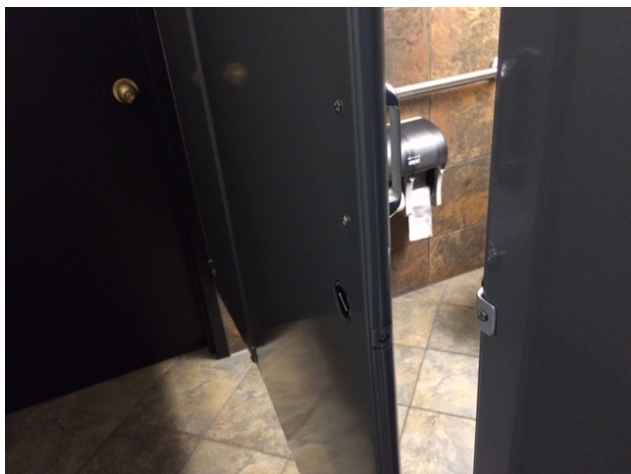
Estimated Remediation Date:

N/A

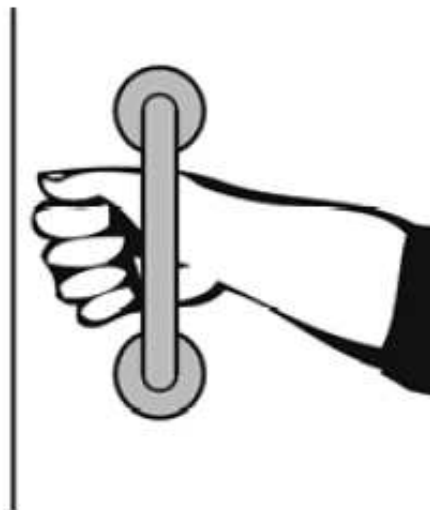
Notes:

N/A

Finding #107 Continued



Finding 137858 Main Photo



CORRECTED

Finding #107 Additional Finding Photos



Finding 137858 Additional Photo

CORRECTED

1st Floor, S. side, Womens Restrooms (Orchestra Level)

Lat: 38.8308900000, Long: -104.8267000000

Finding: 108

Grab bars shall be provided on both sides of the compartment.

The side wall grab bar shall be 42 inches long minimum, located 12 inches maximum from the rear wall and extending 54 inches minimum from the rear wall.

2010 ADAS Section 604.8.2.3

Grab bars shall comply with 609. A side-wall grab bar complying with 604.5.1 shall be provided on both sides of the compartment.

Citation:

2010 ADAS Section: 604.8.2.3

As Built:

Grab bar missing
inside ambulatory stall

Recommendation:

Install 42 inch grab bar in a horizontal position 33 inches minimum and 36 inches maximum above the finished floor measured to the top of the gripping surface.

Barrier Priority:

3 (Moderate): Should be completed as soon as possible, but there may be other items that will provide greater access to persons with disabilities. (Includes; Findings that have a high financial impact on the entity in relationship to the degree of access provided)

Department:

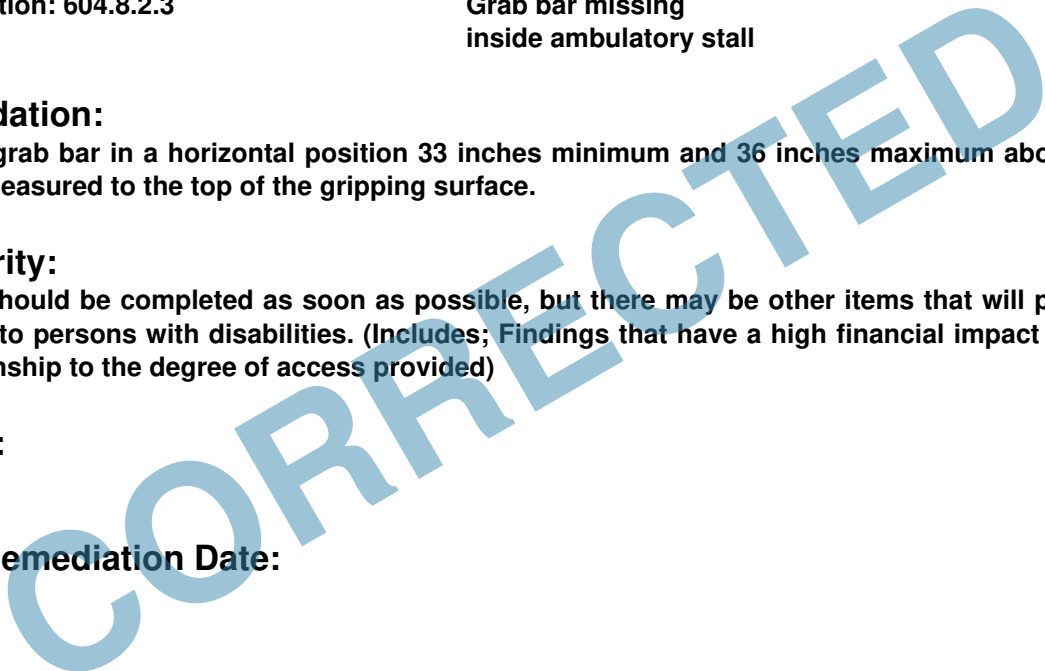
N/A

Estimated Remediation Date:

N/A

Notes:

N/A



Finding #108 Continued



Finding 299433 Main Photo

CORRECTED

1st Floor, S. side, Womens Restrooms (Orchestra Level)

Lat: 38.8308900000, Long: -104.8267000000

Finding: 109

The compartment door is not self closing.

The water closet compartment shall be equipped with a door that has an automatic-closing device.

2010 ADAS Section 604.8.1.2

Toilet compartment doors, including door hardware, shall comply with 404 except that if the approach is to the latch side of the compartment door, clearance between the door side of the compartment and any obstruction shall be 42 inches (1065 mm) minimum. Doors shall be located in the front partition or in the side wall or partition farthest from the water closet. Where located in the front partition, the door opening shall be 4 inches (100 mm) maximum from the side wall or partition farthest from the water closet. Where located in the side wall or partition, the door opening shall be 4 inches (100 mm) maximum from the front partition. The door shall be self-closing. A door pull complying with 404.2.7 shall be placed on both sides of the door near the latch. Toilet compartment doors shall not swing into the minimum required compartment area.

Citation:

2010 ADAS Section: 604.8.1.2

As Built:

Ambulatory stall door
not self closing

Recommendation:

Adjust or install automatic closing hinges.

Barrier Priority:

3 (Moderate): Should be completed as soon as possible, but there may be other items that will provide greater access to persons with disabilities. (Includes; Findings that have a high financial impact on the entity in relationship to the degree of access provided)

Department:

N/A

Estimated Remediation Date:

N/A

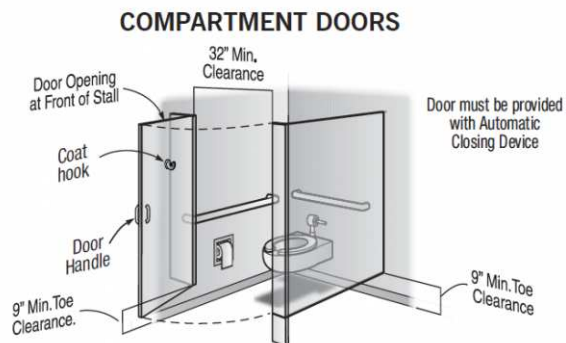
Notes:

N/A

Finding #109 Continued



Finding 299434 Main Photo



CORRECTED

1st Floor, S. side, Womens Restrooms (Orchestra Level)

Lat: 38.8308900000, Long: -104.8267000000

Finding: 110

The coat hook is installed greater than 48 inches above the finished floor.

Where a forward reach is unobstructed, the high forward reach shall be 48 inches maximum above the finished floor.

2010 ADAS Section 308.2.1

Where a forward reach is unobstructed, the high forward reach shall be 48 inches (1220 mm) maximum and the low forward reach shall be 15 inches (380 mm) minimum above the finish floor or ground.

Citation:

2010 ADAS Section: 308.2.1

As Built:

Ambulatory stall coat
hook at 60 inches
above finished floor

Recommendation:

Lower coat hook 13 inches minimum or install another coat hook not to exceed a maximum height of 48 inches above finished floor.

Barrier Priority:

3 (Moderate): Should be completed as soon as possible, but there may be other items that will provide greater access to persons with disabilities. (Includes; Findings that have a high financial impact on the entity in relationship to the degree of access provided)

Department:

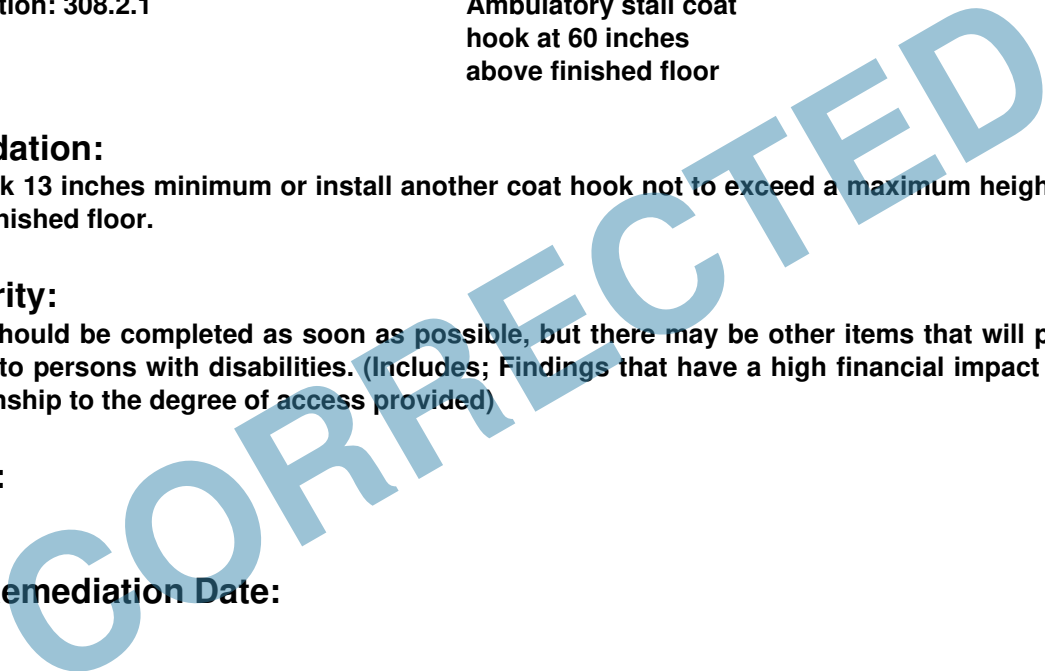
N/A

Estimated Remediation Date:

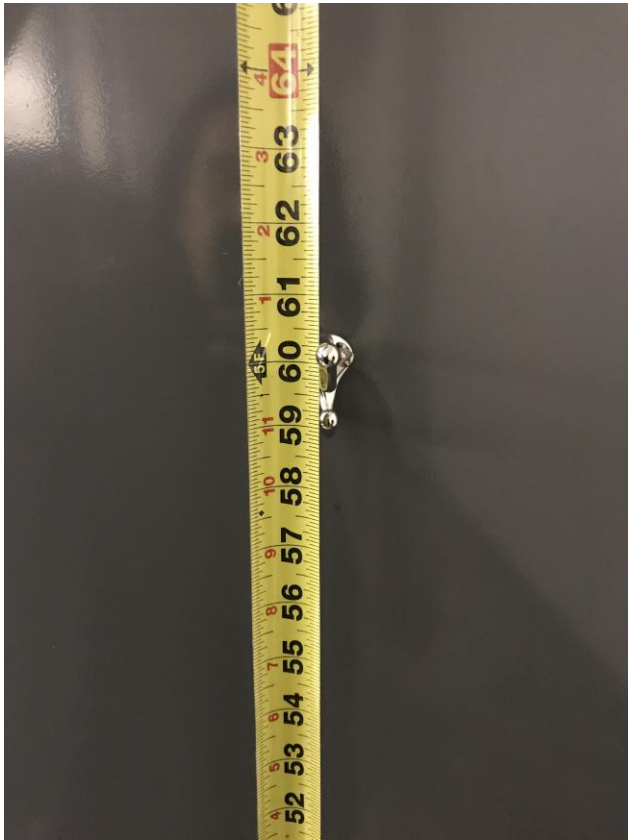
N/A

Notes:

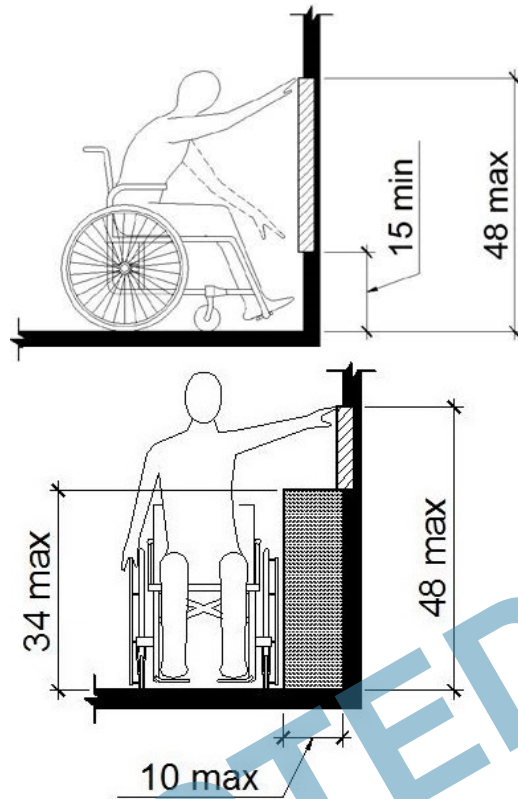
N/A



Finding #110 Continued



Finding 299435 Main Photo



Considered
Unobstructed

CORRECTED

1st Floor, S. side, Womens Restrooms (Orchestra Level)

Lat: 38.8308900000, Long: -104.8267000000

Finding: 111

The toilet paper is not installed within the compliant range.

Toilet paper dispensers shall be 7 inches minimum and 9 inches maximum in front of the water closet measured to the centerline of the dispenser. The outlet of the dispenser shall be 15 inches minimum and 48 inches maximum above the finish floor and shall not be located behind grab bars. Dispensers shall not be of a type that controls delivery or that does not allow continuous paper flow. There shall be a clearance of 1 1/2 inches minimum below the grab bar.

2010 ADAS Section 604.7

Toilet paper dispensers shall comply with 309.4 and shall be 7 inches (180 mm) minimum and 9 inches (230 mm) maximum in front of the water closet measured to the centerline of the dispenser. The outlet of the dispenser shall be 15 inches (380 mm) minimum and 48 inches (1220 mm) maximum above the finish floor and shall not be located behind grab bars. Dispensers shall not be of a type that controls delivery or that does not allow continuous paper flow.

Citation:

2010 ADAS Section: 604.7

As Built:

Ambulatory stall toilet paper dispenser 5 inches in front of toilet

Recommendation:

Re-position toilet paper dispenser to be within 7 inches minimum to 9 inches maximum in front of the toilet measured to the centerline of the dispenser.

Barrier Priority:

3 (Moderate): Should be completed as soon as possible, but there may be other items that will provide greater access to persons with disabilities. (Includes; Findings that have a high financial impact on the entity in relationship to the degree of access provided)

Department:

N/A

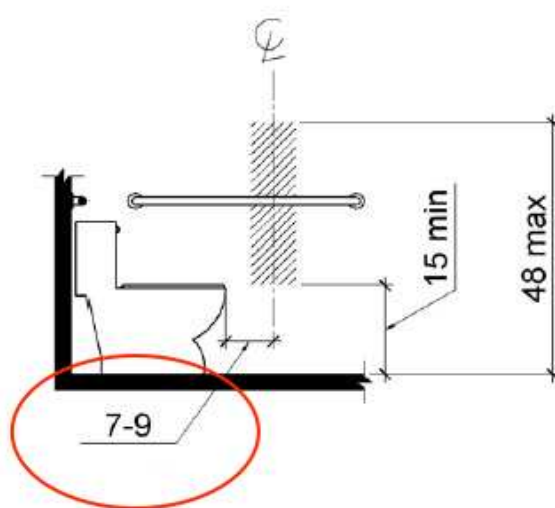
Estimated Remediation Date:

N/A

Notes:

N/A

Finding #111 Continued



Finding 299438 Main Photo

CORRECTED

1st Floor, S. side, Womens Restrooms (Orchestra Level)

Lat: 38.8308900000, Long: -104.8267000000

Finding: 112

The water closet compartment door is missing a loop handle.

Water closet compartments must be equipped with a door that has a loop or U-shaped handle on both sides of the door immediately below the latch. The latch must be flip-over style, sliding or other hardware not requiring the user to grasp or twist.

2010 ADAS Section 604.8.1.2

Toilet compartment doors, including door hardware, shall comply with 404 except that if the approach is to the latch side of the compartment door, clearance between the door side of the compartment and any obstruction shall be 42 inches (1065 mm) minimum. Doors shall be located in the front partition or in the side wall or partition farthest from the water closet. Where located in the front partition, the door opening shall be 4 inches (100 mm) maximum from the side wall or partition farthest from the water closet. Where located in the side wall or partition, the door opening shall be 4 inches (100 mm) maximum from the front partition. The door shall be self-closing. A door pull complying with 404.2.7 shall be placed on both sides of the door near the latch. Toilet compartment doors shall not swing into the minimum required compartment area.

Citation:

2010 ADAS Section: 604.8.1.2

As Built:

Loop handles missing on ambulatory stall door

Recommendation:

Install loop or U-shaped handles on compartment door.

Barrier Priority:

3 (Moderate): Should be completed as soon as possible, but there may be other items that will provide greater access to persons with disabilities. (Includes; Findings that have a high financial impact on the entity in relationship to the degree of access provided)

Department:

N/A

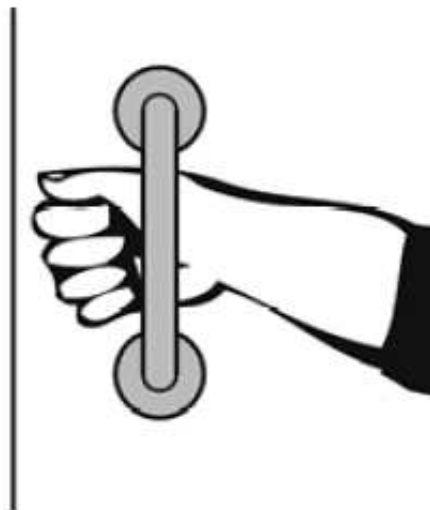
Estimated Remediation Date:

N/A

Notes:

N/A

Finding #112 Continued



Finding 299442 Main Photo

CORRECTED

1st Floor, S. side, Mens Restrooms (Orchestra Level)

Lat: 38.8308900000, Long: -104.8267000000

Finding: 113

Compliant room identification signs are missing.

Sign shall be located alongside the door at the latch side. Where a tactile sign is provided at double doors with one active leaf, the sign shall be located on the inactive leaf. Where a tactile sign is provided at double doors with two active leafs, the sign shall be located to the right of the right hand door. Where there is no wall space at the latch side of a single door or at the right side of double doors, signs shall be located on the nearest adjacent wall. Signs containing tactile characters shall be located so that a clear floor space of 18 inches minimum by 18 inches minimum, centered on the tactile characters, is provided beyond the arc of any door swing between the closed position and 45 degree open position.

Wall signs identifying permanent rooms and spaces of a building shall be in a horizontal format and the characters raised 1/32 inch minimum and shall be sans serif uppercase characters a minimum of 5/8 inch and a maximum of 2 inches high. Contracted Grade 2 Braille shall be in a horizontal format and shall be placed a minimum of 3/8 inch and a maximum of 1/2 inch directly below the tactile characters; flush left or centered. Dots shall be 1/10 inch on center in each cell with 2/10-inch space between cells, measured from the second column of dots in the first cell to the first column of dots in the second cell. Dots shall be raised a minimum of 1/40 inch above the background. Braille dots shall be domed or rounded. Signs with raised characters or Braille shall be located 48 inches minimum above the finish floor or ground surface, measured from the baseline of the lowest tactile character and 60 inches maximum above the finish floor or ground surface, measured from the baseline of the highest tactile character.

2010 ADAS Section 216.2

Interior and exterior signs identifying permanent rooms and spaces shall comply with 703.1, 703.2, and 703.5. Where pictograms are provided as designations of permanent interior rooms and spaces, the pictograms shall comply with 703.6 and shall have text descriptors complying with 703.2 and 703.5.

2010 ADAS Section 703.4.2

Where a tactile sign is provided at a door, the sign shall be located alongside the door at the latch side. Where a tactile sign is provided at double doors with one active leaf, the sign shall be located on the inactive leaf. Where a tactile sign is provided at double doors with two active leafs, the sign shall be located to the right of the right hand door. Where there is no wall space at the latch side of a single door or at the right side of double doors, signs shall be located on the nearest adjacent wall. Signs containing tactile characters shall be located so that a clear floor space of 18 inches (455 mm) minimum by 18 inches (455 mm) minimum, centered on the tactile characters, is provided beyond the arc of any door swing between the closed position and 45 degree open position.

Citation:

2010 ADAS Section: 216.2, 703.4.2

As Built:

Non compliant
restroom sign

Recommendation:

Place new sign alongside the door at the latch side or nearest adjacent wall. Braille characters shall

measured 48 inches minimum from the baseline of the lowest tactile character and 60 inches maximum above the finish floor or ground surface, measured from the baseline of the highest tactile character.

Barrier Priority:

3 (Moderate): Should be completed as soon as possible, but there may be other items that will provide greater access to persons with disabilities. (Includes; Findings that have a high financial impact on the entity in relationship to the degree of access provided)

Department:

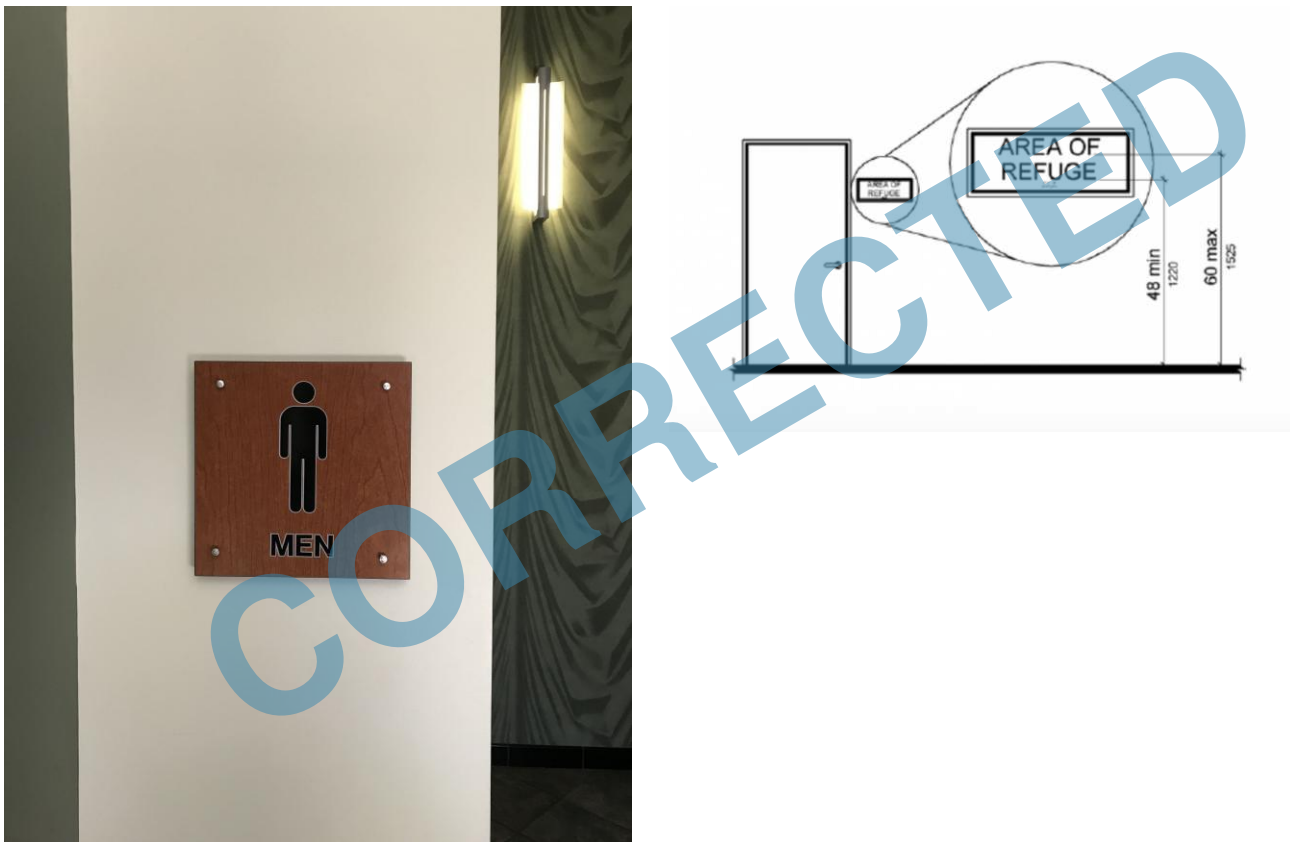
N/A

Estimated Remediation Date:

N/A

Notes:

N/A



Finding 299007 Main Photo

1st Floor, S. side, Mens Restrooms (Orchestra Level)

Lat: 38.8308900000, Long: -104.8267000000

Finding: 114

The door does not have a compliant landing.

Landings for doors on the pull side with a latch approach must be a minimum distance of 48 inches in the direction of travel. The width of the landing must be as wide as the door plus an additional 24 inches on the latch side. This latch side clearance must also be flat (2% max. slope in any direction) and clear of obstructions.

2010 ADAS Section 404.2.4.1

Swinging doors and gates shall have maneuvering clearances complying with Table 404.2.4.1.

Citation:

2010 ADAS Section: 404.2.4.1

As Built:

40 inch landing to door approach

Recommendation:

Providing the minimum required width clearance to the restroom is technically infeasible at this time because existing structural conditions would require removing or altering a load-bearing member that is an essential part of the structural frame; or because other existing physical or site constraints prohibit modification or addition of elements, spaces, or features that are in full and strict compliance with the minimum requirements. Best practice measures are recommended to ensure restroom is accessible to the maximum extent feasible. Would recommend updating restroom when feasible or during alteration or new construction to meet current ADA standards.

Barrier Priority:

3 (Moderate): Should be completed as soon as possible, but there may be other items that will provide greater access to persons with disabilities. (Includes; Findings that have a high financial impact on the entity in relationship to the degree of access provided)

Department:

N/A

Estimated Remediation Date:

N/A

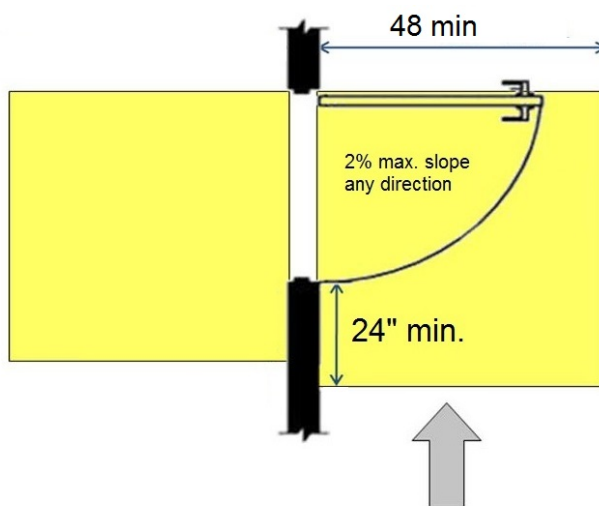
Notes:

N/A

Finding #114 Continued



Finding 299009 Main Photo



CORRECTED

Finding #114 Additional Finding Photos



Finding 299009 Additional Photo

CORRECTED

1st Floor, S. side, Mens Restrooms (Orchestra Level)

Lat: 38.8308900000, Long: -104.8267000000

Finding: 115

The water closet compartment door is missing a loop handle on the outside.

Water closet compartments must be equipped with a door that has a loop or U-shaped handle on both sides of the door immediately below the latch. The latch must be flip-over style, sliding or other hardware not requiring the user to grasp or twist.

2010 ADAS Section 604.8.1.2

Toilet compartment doors, including door hardware, shall comply with 404 except that if the approach is to the latch side of the compartment door, clearance between the door side of the compartment and any obstruction shall be 42 inches (1065 mm) minimum. Doors shall be located in the front partition or in the side wall or partition farthest from the water closet. Where located in the front partition, the door opening shall be 4 inches (100 mm) maximum from the side wall or partition farthest from the water closet. Where located in the side wall or partition, the door opening shall be 4 inches (100 mm) maximum from the front partition. The door shall be self-closing. A door pull complying with 404.2.7 shall be placed on both sides of the door near the latch. Toilet compartment doors shall not swing into the minimum required compartment area.

Citation:

2010 ADAS Section: 604.8.1.2

As Built:

Missing loop handle on outside of compartment door

Recommendation:

Install loop or U-shaped handle on outside of compartment door.

Barrier Priority:

3 (Moderate): Should be completed as soon as possible, but there may be other items that will provide greater access to persons with disabilities. (Includes; Findings that have a high financial impact on the entity in relationship to the degree of access provided)

Department:

N/A

Estimated Remediation Date:

N/A

Notes:

N/A

Finding #115 Continued



Finding 299010 Main Photo

CORRECTED

1st Floor, S. side, Mens Restrooms (Orchestra Level)

Lat: 38.8308900000, Long: -104.8267000000

Finding: 116

The compartment door is not self closing.

The water closet compartment shall be equipped with a door that has an automatic-closing device.

2010 ADAS Section 604.8.1.2

Toilet compartment doors, including door hardware, shall comply with 404 except that if the approach is to the latch side of the compartment door, clearance between the door side of the compartment and any obstruction shall be 42 inches (1065 mm) minimum. Doors shall be located in the front partition or in the side wall or partition farthest from the water closet. Where located in the front partition, the door opening shall be 4 inches (100 mm) maximum from the side wall or partition farthest from the water closet. Where located in the side wall or partition, the door opening shall be 4 inches (100 mm) maximum from the front partition. The door shall be self-closing. A door pull complying with 404.2.7 shall be placed on both sides of the door near the latch. Toilet compartment doors shall not swing into the minimum required compartment area.

Citation:

2010 ADAS Section: 604.8.1.2

As Built:

Compartment door not self-closing

Recommendation:

Adjust or install automatic closing hinges.

Barrier Priority:

3 (Moderate): Should be completed as soon as possible, but there may be other items that will provide greater access to persons with disabilities. (Includes; Findings that have a high financial impact on the entity in relationship to the degree of access provided)

Department:

N/A

Estimated Remediation Date:

N/A

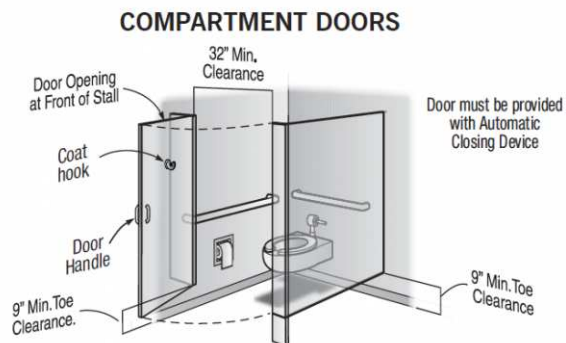
Notes:

N/A

Finding #116 Continued



Finding 299011 Main Photo



CORRECTED

1st Floor, S. side, Mens Restrooms (Orchestra Level)

Lat: 38.8308900000, Long: -104.8267000000

Finding: 117

The coat hook is installed greater than 48 inches above the finished floor.

Where a forward reach is unobstructed, the high forward reach shall be 48 inches maximum above the finished floor.

2010 ADAS Section 308.2.1

Where a forward reach is unobstructed, the high forward reach shall be 48 inches (1220 mm) maximum and the low forward reach shall be 15 inches (380 mm) minimum above the finish floor or ground.

Citation:

2010 ADAS Section: 308.2.1

As Built:

59.75 inches above finished floor

Recommendation:

Lower coat hook 13 inches minimum. Not to exceed a maximum height of 48 inches above finished floor.

Barrier Priority:

3 (Moderate): Should be completed as soon as possible, but there may be other items that will provide greater access to persons with disabilities. (Includes; Findings that have a high financial impact on the entity in relationship to the degree of access provided)

Department:

N/A

Estimated Remediation Date:

N/A

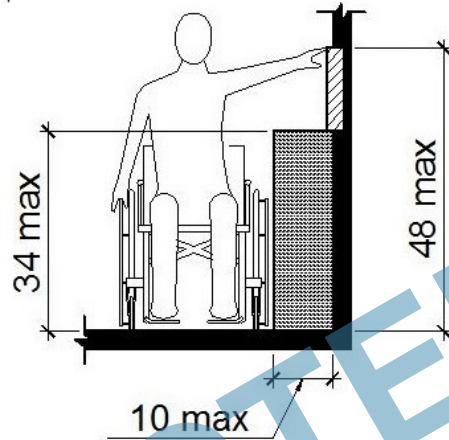
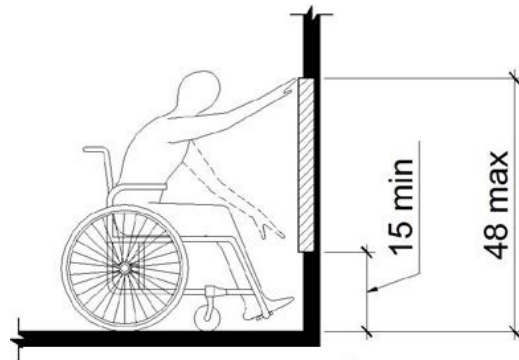
Notes:

N/A

Finding #117 Continued



Finding 299012 Main Photo



Considered
Unobstructed

CORRECTED

1st Floor, S. side, Mens Restrooms (Orchestra Level)

Lat: 38.8308900000, Long: -104.8267000000

Finding: 118

Grab bars shall be provided on both sides of the compartment.

The side wall grab bar shall be 42 inches long minimum, located 12 inches maximum from the rear wall and extending 54 inches minimum from the rear wall.

2010 ADAS Section 604.8.2.3

Grab bars shall comply with 609. A side-wall grab bar complying with 604.5.1 shall be provided on both sides of the compartment.

Citation:

2010 ADAS Section: 604.8.2.3

As Built:

Grab bar missing
inside ambulatory stall

Recommendation:

Install 42 inch grab bar in a horizontal position 33 inches minimum and 36 inches maximum above the finished floor measured to the top of the gripping surface.

Barrier Priority:

3 (Moderate): Should be completed as soon as possible, but there may be other items that will provide greater access to persons with disabilities. (Includes; Findings that have a high financial impact on the entity in relationship to the degree of access provided)

Department:

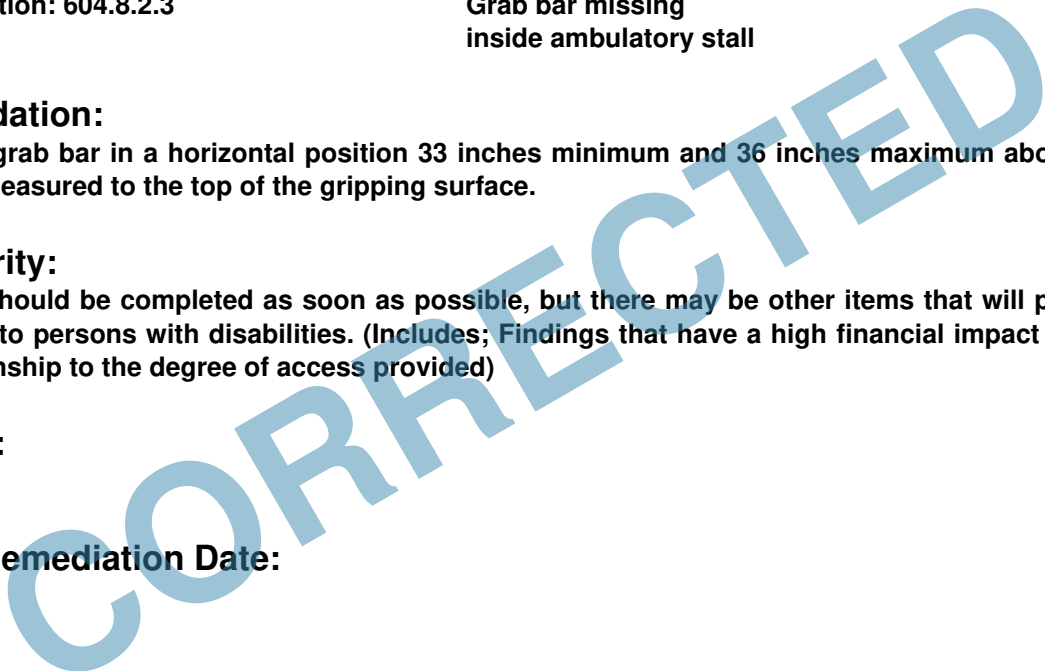
N/A

Estimated Remediation Date:

N/A

Notes:

N/A



Finding #118 Continued



Finding 299439 Main Photo

CORRECTED

1st Floor, S. side, Mens Restrooms (Orchestra Level)

Lat: 38.8308900000, Long: -104.8267000000

Finding: 119

The compartment door is not self closing.

The water closet compartment shall be equipped with a door that has an automatic-closing device.

2010 ADAS Section 604.8.1.2

Toilet compartment doors, including door hardware, shall comply with 404 except that if the approach is to the latch side of the compartment door, clearance between the door side of the compartment and any obstruction shall be 42 inches (1065 mm) minimum. Doors shall be located in the front partition or in the side wall or partition farthest from the water closet. Where located in the front partition, the door opening shall be 4 inches (100 mm) maximum from the side wall or partition farthest from the water closet. Where located in the side wall or partition, the door opening shall be 4 inches (100 mm) maximum from the front partition. The door shall be self-closing. A door pull complying with 404.2.7 shall be placed on both sides of the door near the latch. Toilet compartment doors shall not swing into the minimum required compartment area.

Citation:

2010 ADAS Section: 604.8.1.2

As Built:

Ambulatory stall door
not self closing

Recommendation:

Adjust or install automatic closing hinges.

Barrier Priority:

3 (Moderate): Should be completed as soon as possible, but there may be other items that will provide greater access to persons with disabilities. (Includes; Findings that have a high financial impact on the entity in relationship to the degree of access provided)

Department:

N/A

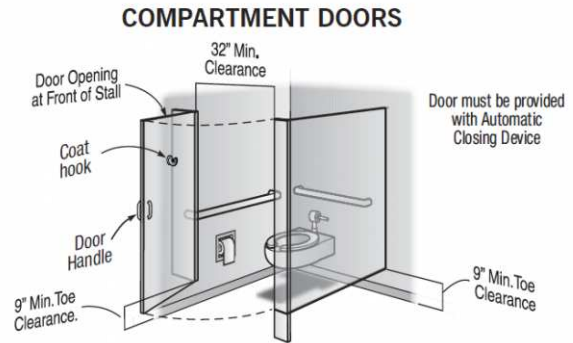
Estimated Remediation Date:

N/A

Notes:

N/A

Finding #119 Continued



Finding 299440 Main Photo

CORRECTED

1st Floor, S. side, Mens Restrooms (Orchestra Level)

Lat: 38.8308900000, Long: -104.8267000000

Finding: 120

The coat hook is installed greater than 48 inches above the finished floor.

Where a forward reach is unobstructed, the high forward reach shall be 48 inches maximum above the finished floor.

2010 ADAS Section 308.2.1

Where a forward reach is unobstructed, the high forward reach shall be 48 inches (1220 mm) maximum and the low forward reach shall be 15 inches (380 mm) minimum above the finish floor or ground.

Citation:

2010 ADAS Section: 308.2.1

As Built:

Ambulatory stall coat
hook at 67 inches
above finished floor

Recommendation:

Lower coat hook 20 inches minimum or install another coat hook not to exceed a maximum height of 48 inches above finished floor.

Barrier Priority:

3 (Moderate): Should be completed as soon as possible, but there may be other items that will provide greater access to persons with disabilities. (Includes; Findings that have a high financial impact on the entity in relationship to the degree of access provided)

Department:

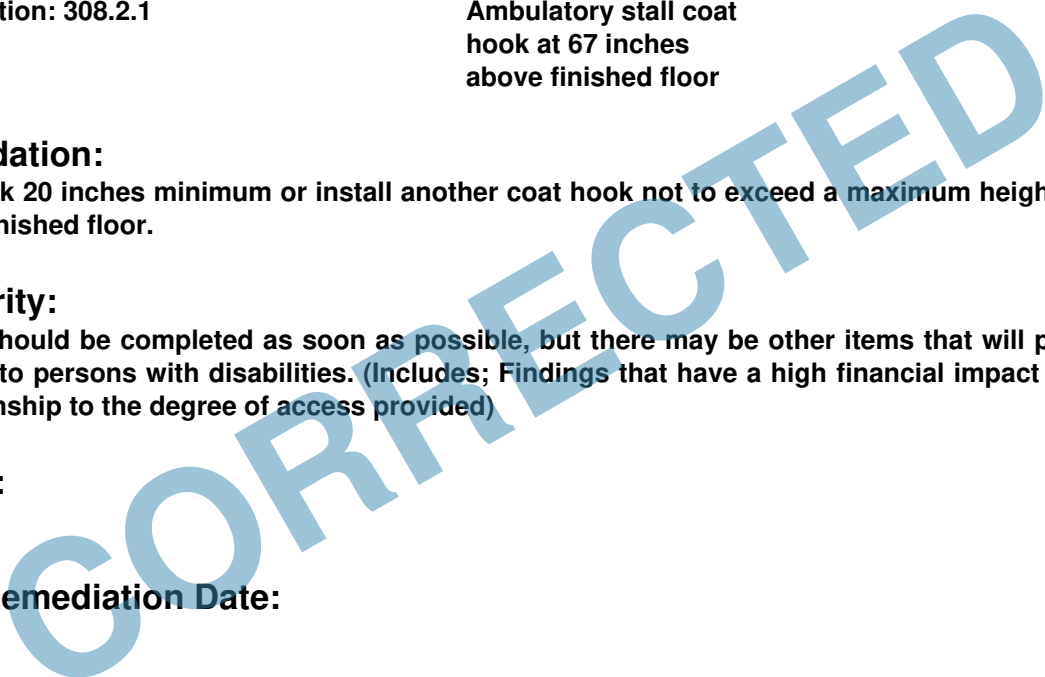
N/A

Estimated Remediation Date:

N/A

Notes:

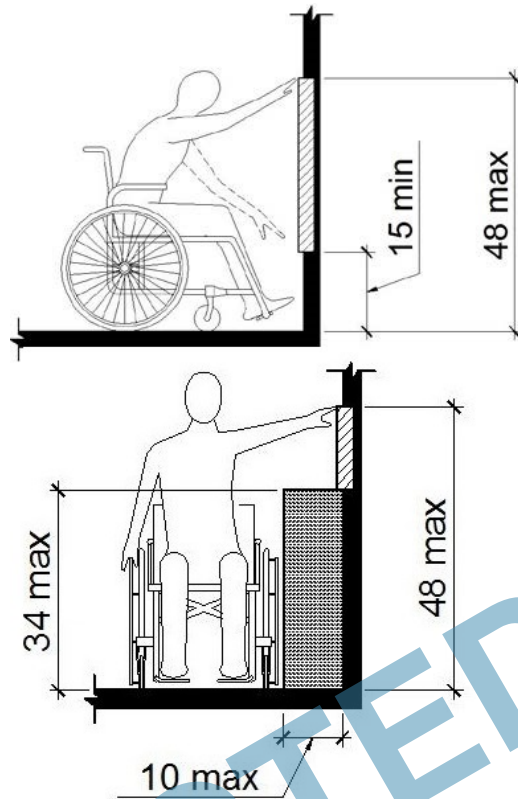
N/A



Finding #120 Continued



Finding 299441 Main Photo



Considered
Unobstructed

CORRECTED

1st Floor, S. side, Mens Restrooms (Orchestra Level)

Lat: 38.8308900000, Long: -104.8267000000

Finding: 121

The water closet compartment door is missing a loop handle.

Water closet compartments must be equipped with a door that has a loop or U-shaped handle on both sides of the door immediately below the latch. The latch must be flip-over style, sliding or other hardware not requiring the user to grasp or twist.

2010 ADAS Section 604.8.1.2

Toilet compartment doors, including door hardware, shall comply with 404 except that if the approach is to the latch side of the compartment door, clearance between the door side of the compartment and any obstruction shall be 42 inches (1065 mm) minimum. Doors shall be located in the front partition or in the side wall or partition farthest from the water closet. Where located in the front partition, the door opening shall be 4 inches (100 mm) maximum from the side wall or partition farthest from the water closet. Where located in the side wall or partition, the door opening shall be 4 inches (100 mm) maximum from the front partition. The door shall be self-closing. A door pull complying with 404.2.7 shall be placed on both sides of the door near the latch. Toilet compartment doors shall not swing into the minimum required compartment area.

Citation:

2010 ADAS Section: 604.8.1.2

As Built:

Loop handles missing on ambulatory stall door

Recommendation:

Install loop or U-shaped handles on compartment door.

Barrier Priority:

3 (Moderate): Should be completed as soon as possible, but there may be other items that will provide greater access to persons with disabilities. (Includes; Findings that have a high financial impact on the entity in relationship to the degree of access provided)

Department:

N/A

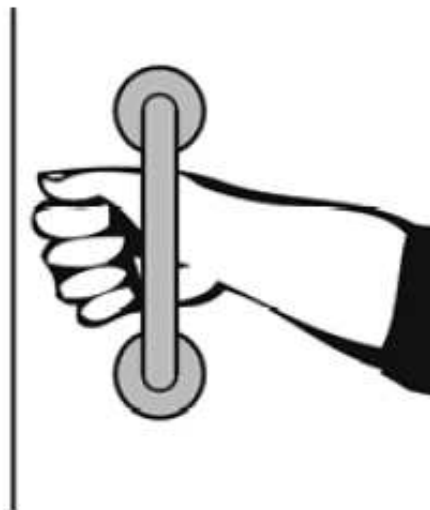
Estimated Remediation Date:

N/A

Notes:

N/A

Finding #121 Continued



Finding 299443 Main Photo

CORRECTED

1st Floor, S. side, Mens Restrooms (Orchestra Level)

Lat: 38.8308900000, Long: -104.8267000000

Finding: 122

The locking/latching hardware is not accessible.

Hand-activated door opening hardware, handles, pulls, latches, locks, and other operating devices on accessible doors shall have a shape that is easy to grasp with one hand and does not require tight grasping, tight pinching or twisting of the wrist to operate.

2010 ADAS Section 604.8.1.2

Toilet compartment doors, including door hardware, shall comply with 404 except that if the approach is to the latch side of the compartment door, clearance between the door side of the compartment and any obstruction shall be 42 inches (1065 mm) minimum. Doors shall be located in the front partition or in the side wall or partition farthest from the water closet. Where located in the front partition, the door opening shall be 4 inches (100 mm) maximum from the side wall or partition farthest from the water closet. Where located in the side wall or partition, the door opening shall be 4 inches (100 mm) maximum from the front partition. The door shall be self-closing. A door pull complying with 404.2.7 shall be placed on both sides of the door near the latch. Toilet compartment doors shall not swing into the minimum required compartment area.

Citation:

2010 ADAS Section: 604.8.1.2

As Built:

Ambulatory door lock requires tight grasping and twisting of the wrist

Recommendation:

Replace locking hardware with locking lever that does not require tight grasping, pinching or twisting of the wrist to operate.

Barrier Priority:

3 (Moderate): Should be completed as soon as possible, but there may be other items that will provide greater access to persons with disabilities. (Includes; Findings that have a high financial impact on the entity in relationship to the degree of access provided)

Department:

N/A

Estimated Remediation Date:

N/A

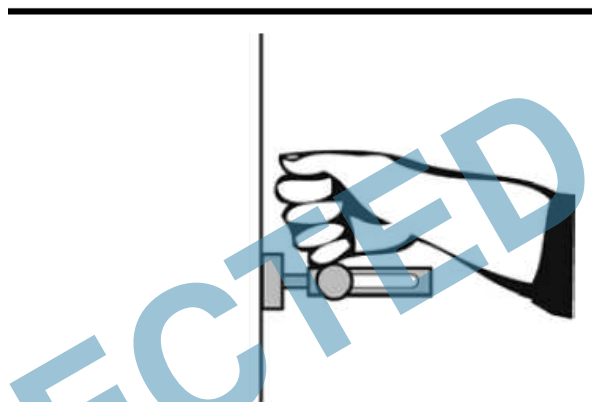
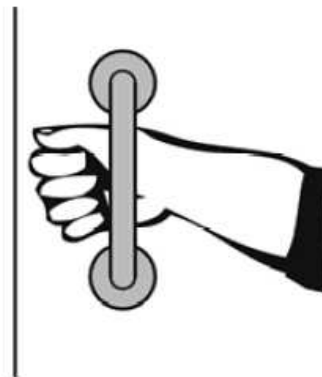
Notes:

N/A

Finding #122 Continued



Finding 299444 Main Photo



CORRECTED

1st Floor, S. side, Mens Restrooms (Orchestra Level)

Lat: 38.8308900000, Long: -104.8267000000

Finding: 123

The door to the ambulatory compartment swings into the minimum required compartment area.

Toilet compartment doors shall not swing into the minimum required compartment area.

2010 ADAS Section 604.8.2.2

Toilet compartment doors, including door hardware, shall comply with 404, except that if the approach is to the latch side of the compartment door, clearance between the door side of the compartment and any obstruction shall be 42 inches (1065 mm) minimum. The door shall be self-closing. A door pull complying with 404.2.7 shall be placed on both sides of the door near the latch. Toilet compartment doors shall not swing into the minimum required compartment area.

Citation:

2010 ADAS Section: 604.8.2.2

As Built:

Ambulatory stall door swings inwards

Recommendation:

Reverse door swing.

Barrier Priority:

3 (Moderate): Should be completed as soon as possible, but there may be other items that will provide greater access to persons with disabilities. (Includes; Findings that have a high financial impact on the entity in relationship to the degree of access provided)

Department:

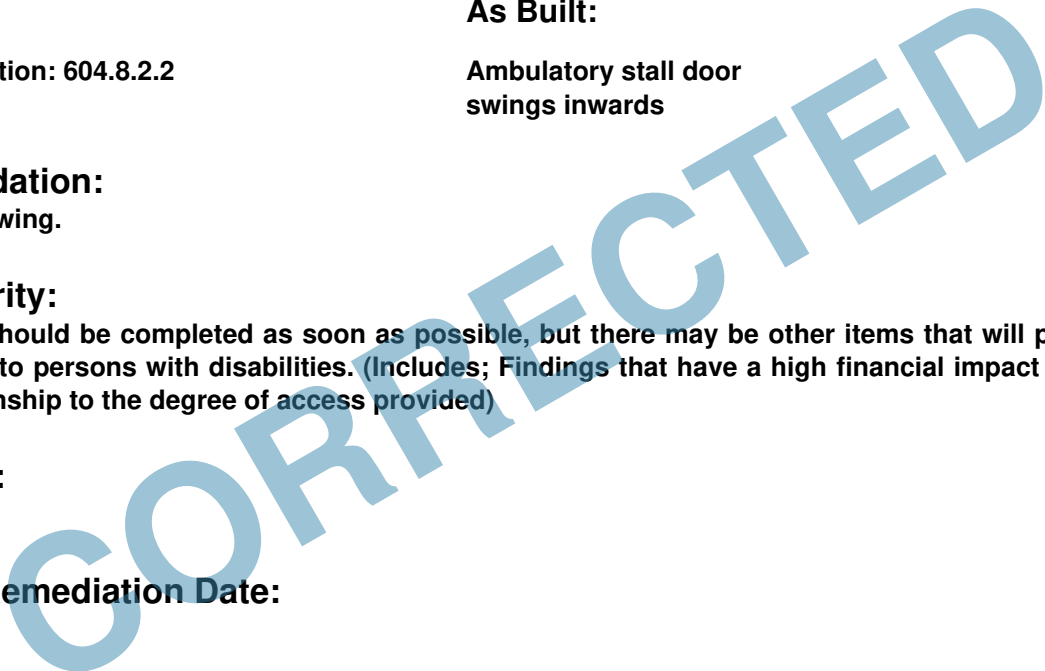
N/A

Estimated Remediation Date:

N/A

Notes:

N/A



Finding #123 Continued



Finding 299445 Main Photo

CORRECTED

1st Floor, S. side, Mens Restrooms (Orchestra Level)

Lat: 38.8308900000, Long: -104.8267000000

Finding: 124

The toilet paper is not installed within the compliant range.

Toilet paper dispensers shall be 7 inches minimum and 9 inches maximum in front of the water closet measured to the centerline of the dispenser. The outlet of the dispenser shall be 15 inches minimum and 48 inches maximum above the finish floor and shall not be located behind grab bars. Dispensers shall not be of a type that controls delivery or that does not allow continuous paper flow. There shall be a clearance of 1 1/2 inches minimum below the grab bar.

2010 ADAS Section 604.7

Toilet paper dispensers shall comply with 309.4 and shall be 7 inches (180 mm) minimum and 9 inches (230 mm) maximum in front of the water closet measured to the centerline of the dispenser. The outlet of the dispenser shall be 15 inches (380 mm) minimum and 48 inches (1220 mm) maximum above the finish floor and shall not be located behind grab bars. Dispensers shall not be of a type that controls delivery or that does not allow continuous paper flow.

Citation:

2010 ADAS Section: 604.7

As Built:

Ambulatory stall toilet
paper dispenser 5
inches in front of toilet

Recommendation:

Re-position toilet paper dispenser to be within 7 inches minimum to 9 inches maximum in front of the toilet measured to the centerline of the dispenser.

Barrier Priority:

3 (Moderate): Should be completed as soon as possible, but there may be other items that will provide greater access to persons with disabilities. (Includes; Findings that have a high financial impact on the entity in relationship to the degree of access provided)

Department:

N/A

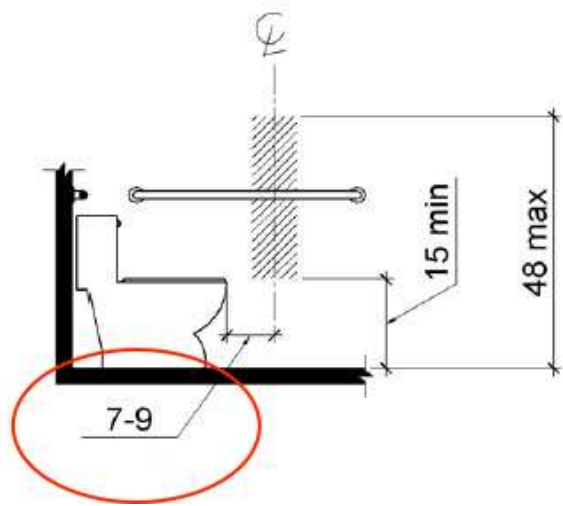
Estimated Remediation Date:

N/A

Notes:

N/A

Finding #124 Continued



Finding 299446 Main Photo

CORRECTED

1st Floor, S. side, Mens Restrooms (Orchestra Level)

Lat: 38.8308900000, Long: -104.8267000000

Finding: 125

The door to the compartment has a latch side approach and there is not enough clearance to obstructions.

When the approach is to the latch side of the compartment door, clearance between the door side of the compartment and any obstruction shall be 42 inches minimum.

2010 ADAS Section 604.8.2.2

Toilet compartment doors, including door hardware, shall comply with 404, except that if the approach is to the latch side of the compartment door, clearance between the door side of the compartment and any obstruction shall be 42 inches (1065 mm) minimum. The door shall be self-closing. A door pull complying with 404.2.7 shall be placed on both sides of the door near the latch. Toilet compartment doors shall not swing into the minimum required compartment area.

Citation:

2010 ADAS Section: 604.8.2.2

As Built:

Ambulatory stall has 40.25 inches to latch side approach

Recommendation:

Providing the minimum required width clearance to the ambulatory stall is technically infeasible at this time because existing structural conditions would require removing or altering a load-bearing member that is an essential part of the structural frame; or because other existing physical or site constraints prohibit modification or addition of elements, spaces, or features that are in full and strict compliance with the minimum requirements. Best practice measures are recommended to ensure restroom is accessible to the maximum extent feasible. Major remodel/reconstruction will be required to meet current ADA standards. Signage will be displayed at restroom door entrance directing patrons to wheelchair accessible restrooms located on the south side of the orchestra level.

Barrier Priority:

3 (Moderate): Should be completed as soon as possible, but there may be other items that will provide greater access to persons with disabilities. (Includes; Findings that have a high financial impact on the entity in relationship to the degree of access provided)

Department:

N/A

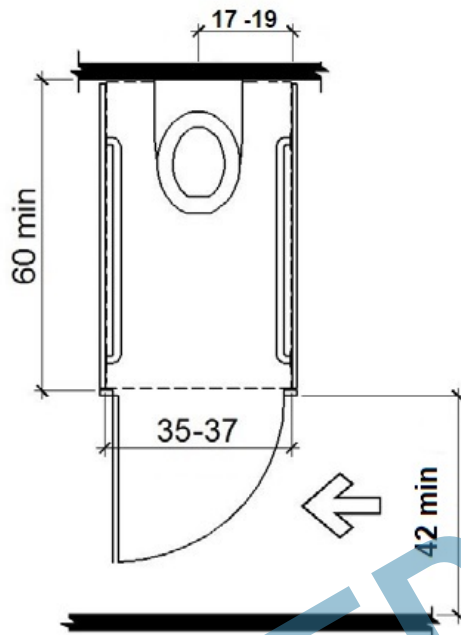
Estimated Remediation Date:

N/A

Notes:

N/A

Finding #125 Continued



Finding 299447 Main Photo

CORRECTED

1st Floor S. side (Orchestra Level) Drinking Fountain

Lat: 38.8309600000, Long: -104.8266000000

Finding: 126

The drinking fountain is not accessible.

The spout is located 7 inches from the front edge of the unit (5 inches maximum).

Spout height is 37 inches above the finished floor (36 inches maximum).

The angle of water stream is non-compliant (15 or 30 degrees allowed)

Spout water flow is below the 4 inch high minimum.

2010 ADAS Section 403.5.1

Except as provided in 403.5.2 and 403.5.3, the clear width of walking surfaces shall be 36 inches (915 mm) minimum.

2010 ADAS Section 602.1

Drinking fountains shall comply with 307 and 602.

Citation:

2010 ADAS Section: 403.5.1, 602.1

As Built:

Spout at 7 inches from front edge of unit

Recommendation:

Provide a hi-lo fountain unit to meet current ADA standards. Spout shall be 15 inches minimum from the vertical support and 5 inches maximum from the front edge of the unit, including bumpers. Spout outlets shall be 36 inches maximum above the finished floor or ground.

Barrier Priority:

4 (Low): Should be completed as soon as possible due to being a technical violation, but may not result in providing greater access to persons with disabilities. (Includes; Findings that are technically violations but provide a moderate to low increase in accessibility compared to the financial impact on the entity)

Department:

N/A

Estimated Remediation Date:

N/A

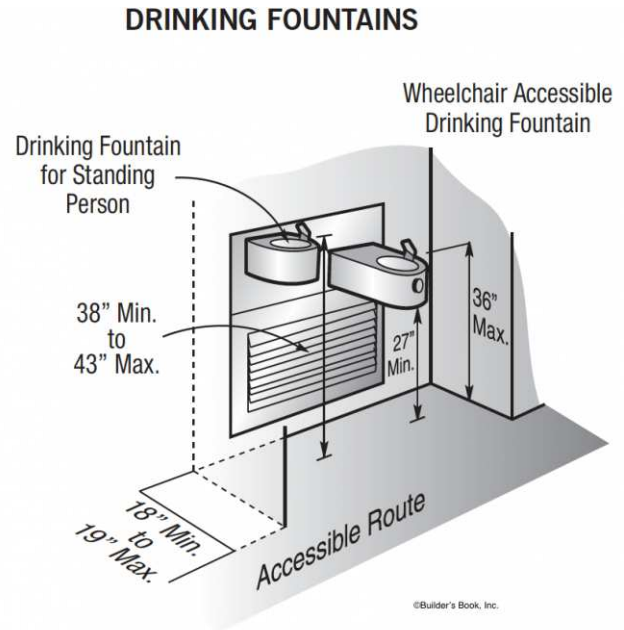
Notes:

N/A

Finding #126 Continued



Finding 18014 Main Photo



Finding #126 Additional Finding Photos



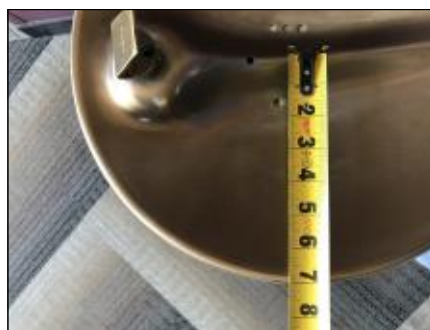
Finding 18014 Additional Photo



Finding 18014 Additional Photo



Finding 18014 Additional Photo



Finding 18014 Additional Photo



Finding 18014 Additional Photo



Finding 18014 Additional Photo



Finding 18014 Additional Photo



Finding 18014 Additional Photo

Northside Loge Ramp/Entrance Orchestra Level

Lat: 38.8308900000, Long: -104.8267000000

Finding: 127

The operating hardware is not accessible because it requires tight grasping, pinching or twisting of the wrist to operate.

Hand-activated hardware, handles, pulls, latches, locks, and other operating devices on accessible elements shall have a shape that is easy to grasp with one hand and does not require tight grasping, tight pinching or twisting of the wrist to operate.

2010 ADAS Section 309.4

Operable parts shall be operable with one hand and shall not require tight grasping, pinching, or twisting of the wrist. The force required to activate operable parts shall be 5 pounds (22.2 N) maximum.

Citation:

2010 ADAS Section: 309.4

As Built:

Requires grasping and twisting of the wrist

Recommendation:

Replace locking hardware with locking lever that does not require tight grasping, tight pinching or twisting of the wrist to operate.

Barrier Priority:

3 (Moderate): Should be completed as soon as possible, but there may be other items that will provide greater access to persons with disabilities. (Includes; Findings that have a high financial impact on the entity in relationship to the degree of access provided)

Department:

N/A

Estimated Remediation Date:

N/A

Notes:

N/A

Finding #127 Continued



Finding 299065 Main Photo

Northside Loge Ramp/Entrance Orchestra Level

Lat: 38.8309600000, Long: -104.8266000000

Finding: 128

The maneuvering space on the pull side of the door does not adequately extend beyond the latch side of the door.

Maneuvering space for interior doors on the pull side with a front approach must be flat (2% max. slope in any direction) for a minimum distance of 60 inches in the direction of travel. The width of the maneuvering space must be as wide as the door plus an additional 18 inches on the latch side. This latch side clearance must also be flat (2% max. slope in any direction) and clear of obstructions.

2010 ADAS Section 404.2.4.1

Swinging doors and gates shall have maneuvering clearances complying with Table 404.2.4.1.

Citation:

2010 ADAS Section: 404.2.4.1

As Built:

2 inch clearance.

Recommendation:

Recommend installing automatic door opener to provide access to Loge area and eliminate barrier.

Barrier Priority:

2 (Important): Should be completed as soon as possible. (Includes; Findings that would remove barriers to the greatest number of people to your goods and services)

Department:

N/A

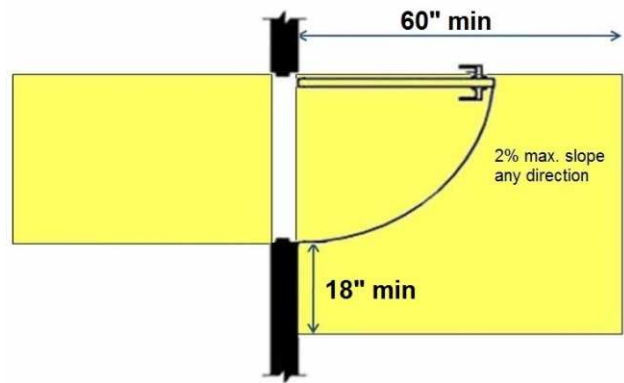
Estimated Remediation Date:

N/A

Notes:

N/A

Finding #128 Continued



Finding 17186 Main Photo

Northside Loge Ramp/Entrance Orchestra Level

Lat: 38.8309600000, Long: -104.8266000000

Finding: 129

The door exceeds the maximum pressure to open the door.

Interior doors shall have a maximum opening force of 5 pounds.

These forces do not apply to the force required to retract latch bolts or disengage other devices that hold the door or gate in a closed position. Door closers and gate closers shall be adjusted so that from an open position of 90 degrees, the time required to move the door to a position of 12 degrees from the latch is 5 seconds minimum.

Door and gate spring hinges shall be adjusted so that from the open position of 70 degrees, the door or gate shall move to the closed position in 1.5 seconds minimum.

2010 ADAS Section 404.2.9

Fire doors shall have a minimum opening force allowable by the appropriate administrative authority. The force for pushing or pulling open a door or gate other than fire doors shall be as follows: 1. Interior hinged doors and gates: 5 pounds (22.2 N) maximum. 2. Sliding or folding doors: 5 pounds (22.2 N) maximum. These forces do not apply to the force required to retract latch bolts or disengage other devices that hold the door or gate in a closed position.

Citation:

2010 ADAS Section: 404.2.9

As Built:

Requires 8 lbs of force

Recommendation:

Adjust door closer to 5 lbs. of pressure or less.

Barrier Priority:

2 (Important): Should be completed as soon as possible. (Includes; Findings that would remove barriers to the greatest number of people to your goods and services)

Department:

N/A

Estimated Remediation Date:

N/A

Notes:

N/A

Finding #129 Continued



Finding 17212 Main Photo

CORRECTED

Finding #129 Additional Finding Photos



Finding 17212 Additional Photo

CORRECTED

Northside Loge Ramp/Entrance Orchestra Level

Lat: 38.8309600000, Long: -104.8266000000

Finding: 130

The ramp slope exceeds the maximum running slope (direction of travel) allowable of 8.33%.

Ramps should have the least possible slope but in no case more than 8.3% (1:12).

2010 ADAS Section 405.2

Ramp runs shall have a running slope not steeper than 1:12.

Citation:

2010 ADAS Section: 405.2

As Built:

Ramp running slope
ranged from 7.4% to
9.0%

Recommendation:

Would recommend updating ramp when feasible or during alteration or new construction to meet current ADA standards.

Barrier Priority:

2 (Important): Should be completed as soon as possible. (Includes; Findings that would remove barriers to the greatest number of people to your goods and services)

Department:

N/A

Estimated Remediation Date:

N/A

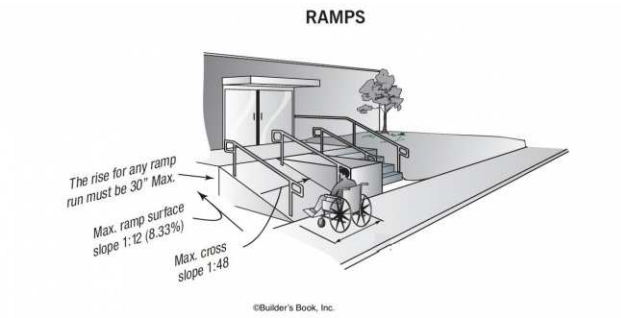
Notes:

N/A

Finding #130 Continued



Finding 137726 Main Photo



Northside Loge Ramp/Entrance Orchestra Level

Lat: 38.8309600000, Long: -104.8266000000

Finding: 131

The handrails are mounted too low.

Handrails are measured at the top and must be between 34 inches and 38 inches above the ramp surface. Handrails must extend beyond the top and bottom of the ramp 12 inches and be parallel to the floor or ground surface.

2010 ADAS Section 505.4

Top of gripping surfaces of handrails shall be 34 inches (865 mm) minimum and 38 inches (965 mm) maximum vertically above walking surfaces, stair nosings, and ramp surfaces. Handrails shall be at a consistent height above walking surfaces, stair nosings, and ramp surfaces.

Citation:

2010 ADAS Section: 505.4

As Built:

Right-side handrail measures 31½ inches in height. Missing left-side handrail.

Recommendation:

Adjust right-side handrail to a height measurement no lower than 34 inches above the ramp surface to the top of the gripping surface and install left-side handrail to exact measurements of right-side handrail.

Barrier Priority:

2 (Important): Should be completed as soon as possible. (Includes; Findings that would remove barriers to the greatest number of people to your goods and services)

Department:

N/A

Estimated Remediation Date:

N/A

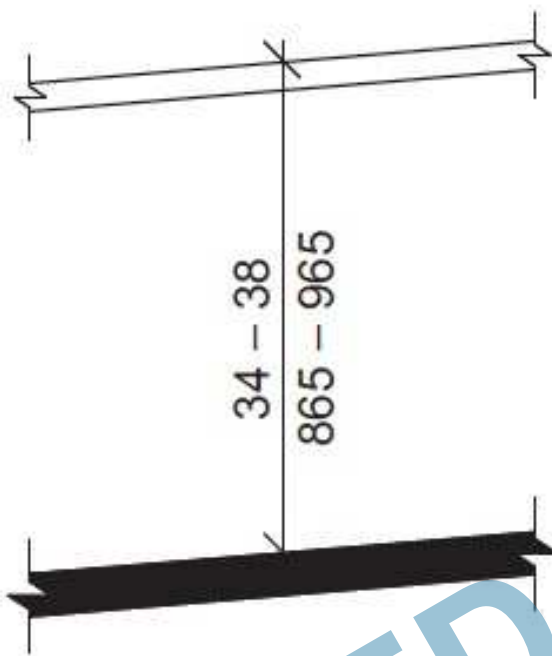
Notes:

N/A

Finding #131 Continued



Finding 17172 Main Photo



CORRECTED

Finding #131 Additional Finding Photos



Finding 17172 Additional Photo



Finding 17172 Additional Photo



Finding 17172 Additional Photo



Finding 17172 Additional Photo

CORRECTED

Southside Loge Ramp/Entrance Orchestra Level

Lat: 38.8309600000, Long: -104.8266000000

Finding: 132

The handrails are mounted too low.

Handrails are measured at the top and must be between 34 inches and 38 inches above the ramp surface. Handrails must extend beyond the top and bottom of the ramp 12 inches and be parallel to the floor or ground surface.

2010 ADAS Section 505.4

Top of gripping surfaces of handrails shall be 34 inches (865 mm) minimum and 38 inches (965 mm) maximum vertically above walking surfaces, stair nosings, and ramp surfaces. Handrails shall be at a consistent height above walking surfaces, stair nosings, and ramp surfaces.

Citation:

2010 ADAS Section: 505.4

As Built:

Right-side handrail measures 31½ inches in height. Missing left-side handrail.

Recommendation:

Adjust right-side handrail to a height measurement no lower than 34 inches above the ramp surface to the top of the gripping surface and install left-side handrail to exact measurements of right-side handrail.

Barrier Priority:

2 (Important): Should be completed as soon as possible. (Includes; Findings that would remove barriers to the greatest number of people to your goods and services)

Department:

N/A

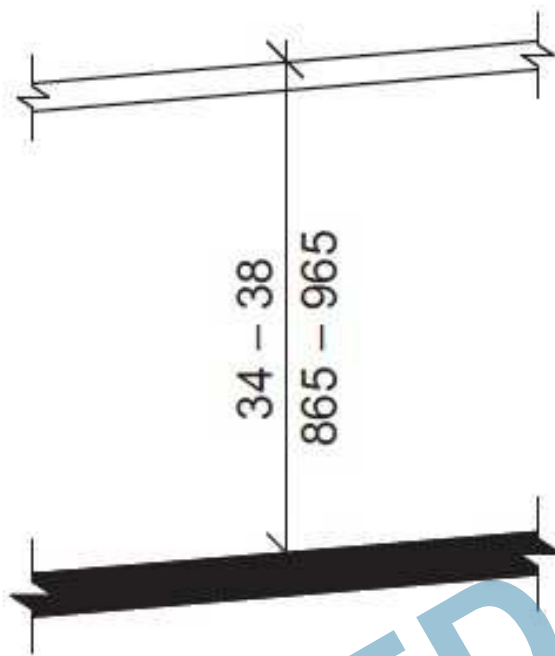
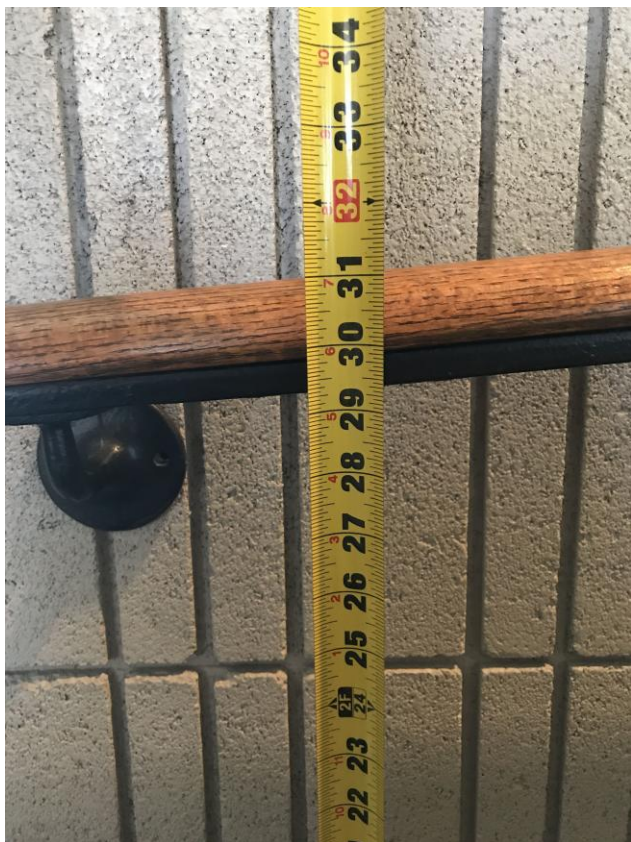
Estimated Remediation Date:

N/A

Notes:

N/A

Finding #132 Continued



Finding 299066 Main Photo

CORRECTED

Finding #132 Additional Finding Photos



Finding 299066 Additional Photo



Finding 299066 Additional Photo

CORRECTED

Southside Loge Ramp/Entrance Orchestra Level

Lat: 38.8309600000, Long: -104.8266000000

Finding: 133

The maneuvering space on the pull side of the door does not adequately extend beyond the latch side of the door.

Maneuvering space for interior doors on the pull side with a front approach must be flat (2% max. slope in any direction) for a minimum distance of 60 inches in the direction of travel. The width of the maneuvering space must be as wide as the door plus an additional 18 inches on the latch side. This latch side clearance must also be flat (2% max. slope in any direction) and clear of obstructions.

2010 ADAS Section 404.2.4.1

Swinging doors and gates shall have maneuvering clearances complying with Table 404.2.4.1.

Citation:

2010 ADAS Section: 404.2.4.1

As Built:

2.25 inch clearance.

Recommendation:

Recommend installing automatic door opener to provide access to Loge area and eliminate barrier.

Barrier Priority:

2 (Important): Should be completed as soon as possible. (Includes; Findings that would remove barriers to the greatest number of people to your goods and services)

Department:

N/A

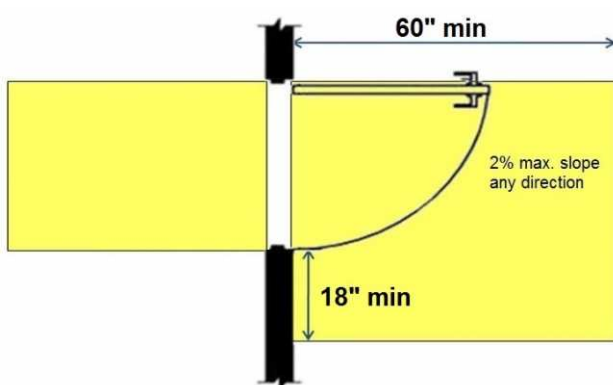
Estimated Remediation Date:

N/A

Notes:

N/A

Finding #133 Continued



Finding 299067 Main Photo

Finding #133 Additional Finding Photos



Finding 299067 Additional Photo



Finding 299067 Additional Photo

Southside Loge Ramp/Entrance Orchestra Level

Lat: 38.8309600000, Long: -104.8266000000

Finding: 134

The ramp slope exceeds the maximum running slope (direction of travel) allowable of 8.33%.

Ramps should have the least possible slope but in no case more than 8.3% (1:12).

2010 ADAS Section 405.2

Ramp runs shall have a running slope not steeper than 1:12.

Citation:

2010 ADAS Section: 405.2

As Built:

Ramp running slope
ranged from 7.4% to
9.0%

Recommendation:

Would recommend updating ramp when feasible or during alteration or new construction to meet current ADA standards.

Barrier Priority:

2 (Important): Should be completed as soon as possible. (Includes; Findings that would remove barriers to the greatest number of people to your goods and services)

Department:

N/A

Estimated Remediation Date:

N/A

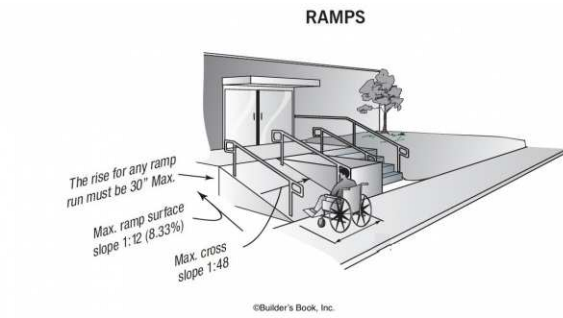
Notes:

N/A

Finding #134 Continued



Finding 299068 Main Photo



Southside Loge Ramp/Entrance Orchestra Level

Lat: 38.8308900000, Long: -104.8267000000

Finding: 135

The operating hardware is not accessible because it requires tight grasping, pinching or twisting of the wrist to operate.

Hand-activated hardware, handles, pulls, latches, locks, and other operating devices on accessible elements shall have a shape that is easy to grasp with one hand and does not require tight grasping, tight pinching or twisting of the wrist to operate.

2010 ADAS Section 309.4

Operable parts shall be operable with one hand and shall not require tight grasping, pinching, or twisting of the wrist. The force required to activate operable parts shall be 5 pounds (22.2 N) maximum.

Citation:

2010 ADAS Section: 309.4

As Built:

Requires grasping and twisting of the wrist

Recommendation:

Replace locking hardware with locking lever that does not require tight grasping, tight pinching or twisting of the wrist to operate.

Barrier Priority:

3 (Moderate): Should be completed as soon as possible, but there may be other items that will provide greater access to persons with disabilities. (Includes; Findings that have a high financial impact on the entity in relationship to the degree of access provided)

Department:

N/A

Estimated Remediation Date:

N/A

Notes:

N/A

Finding #135 Continued



Finding 299069 Main Photo

Loge Seating Area

Lat: 38.8309632000, Long: -104.8266173000

Finding: 136

Based on the number of seats provided in this area (1,949), there should be a minimum of (16) wheelchair seating spaces.

Wheelchair spaces shall be provided in assembly areas with fixed seating.

Wheelchair spaces need to be 36" wide and 48" deep and with an access route of 36" wide in the back, along with a companion seat for each.

Note: Due to floor seating being over the maximum allowable slope requirements (significant structural changes not feasible), two areas have been deemed as most appropriate: the Loge and Orchestra.

Using these requirements there will only be enough room for (3) wheelchairs spaces on each side with a total of (6) and not (24). Re-configuring the entire back section Loge to only include wheelchairs and companion seating, will net (14) wheelchairs and (14) companion seats. This will reduce the existing total located in the Loge section from (65) to now (28). See attached drawing.

2010 ADAS Section 221.2

Wheelchair spaces complying with 221.2 shall be provided in assembly areas with fixed seating.

2010 ADAS Section 221.2.1.1

Wheelchair spaces complying with 802.1 shall be provided in accordance with Table 221.2.1.1.

Citation:

2010 ADAS Section: 221.2, 221.2.1.1

As Built:

Six wheelchair spaces available.

Recommendation:

Reconfigure loge area to add wheelchair and companion seating to the maximum extent possible within the space allowed as explained in finding and depicted on attachment.

Barrier Priority:

2 (Important): Should be completed as soon as possible. (Includes; Findings that would remove barriers to the greatest number of people to your goods and services)

Department:

N/A

Estimated Remediation Date:

N/A

Notes:

N/A

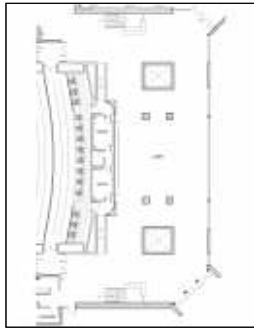


Number of Seats	Minimum Number of Required Wheelchair Spaces
4 to 25	1
26 to 50	2
51 to 150	4
151 to 300	5
301 to 500	6
501 to 5000	6, plus 1 for each 150, or fraction thereof, between 501 through 5000
5001 and over	36, plus 1 for each 200, or fraction thereof, over 5000

Finding 17223 Main Photo

CORRECTED

Finding #136 Additional Finding Photos



Finding 17223 Additional Photo



Finding 17223 Additional Photo



Finding 17223 Additional Photo

CORRECTED

2nd Floor Hallway (Mezzanine Level)

Lat: 38.8309600000, Long: -104.8266000000

Finding: 137

The transaction counter is too high.

A portion of the counter surface that is 36 inches long minimum and 36 inches high maximum above the finish floor shall be provided. Knee and toe space must be provided for a forward approach. A 30 inch by 48 inch clear floor space on an accessible route must be provided for either a forward or parallel approach.

2010 ADAS Section 904.4.1

A portion of the counter surface that is 36 inches (915 mm) long minimum and 36 inches (915 mm) high maximum above the finish floor shall be provided. A clear floor or ground space complying with 305 shall be positioned for a parallel approach adjacent to the 36 inch (915 mm) minimum length of counter.

Citation:

2010 ADAS Section: 904.4.1

As Built:

Counter (bar)
measured 46 inches
tall and no portion in
length.

Recommendation:

Reconstruct bar area to meet requirements or add adjacent counter/table surface to meet ADA requirements.

Barrier Priority:

2 (Important): Should be completed as soon as possible. (Includes; Findings that would remove barriers to the greatest number of people to your goods and services)

Department:

N/A

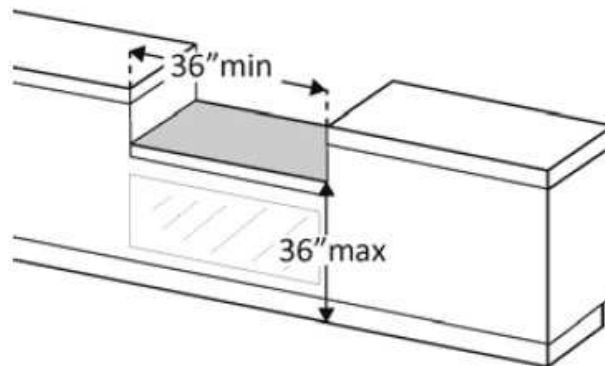
Estimated Remediation Date:

N/A

Notes:

N/A

Finding #137 Continued



Finding 17005 Main Photo

Finding #137 Additional Finding Photos



Finding 17005 Additional Photo



Finding 17005 Additional Photo



Finding 17005 Additional Photo



Finding 17005 Additional Photo

2nd Floor Hallway (Mezzanine Level)

Lat: 38.8308867000, Long: -104.8266744000

Finding: 138

There are no accessible dining surfaces.

Dining surfaces shall be dispersed throughout the space or facility in each functional area containing dining surfaces. Where dining surfaces are provided for the consumption of food or drink, at least 5 percent of the seating spaces and standing spaces at the dining surfaces shall provide a clear floor space positioned for a forward approach and knee and toe clearance. The tops of dining surfaces shall be 28 inches minimum and 34 inches maximum above the finish floor or ground.

2010 ADAS Section 226.1

Where dining surfaces are provided for the consumption of food or drink, at least 5 percent of the seating spaces and standing spaces at the dining surfaces shall comply with 902. In addition, where work surfaces are provided for use by other than employees, at least 5 percent shall comply with 902.

Citation:

2010 ADAS Section: 226.1

As Built:

No accessible dining tables

Recommendation:

Add table/s so that wheelchair users can also participate & socialize while sitting at table and partake in activities such as eating, chatting or drinking a beverage with other patrons, friends, and/or family members in the same setting.

Barrier Priority:

2 (Important): Should be completed as soon as possible. (Includes; Findings that would remove barriers to the greatest number of people to your goods and services)

Department:

N/A

Estimated Remediation Date:

N/A

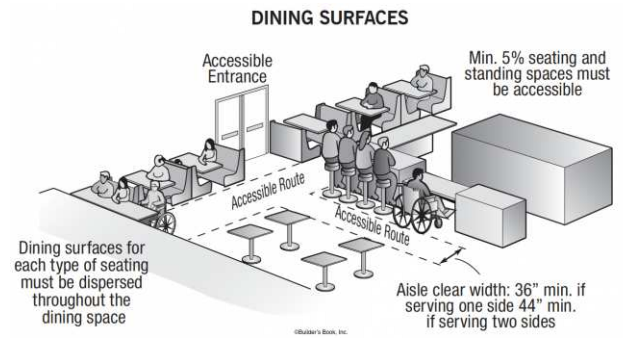
Notes:

N/A

Finding #138 Continued



Finding 299070 Main Photo



Finding #138 Additional Finding Photos



Finding 299070 Additional Photo



Finding 299070 Additional Photo



Finding 299070 Additional Photo



Finding 299070 Additional Photo



Finding 299070 Additional Photo

2nd Floor Hallway (Mezzanine Level)

Lat: 38.8308867000, Long: -104.8266744000

Finding: 139

The door exceeds the maximum pressure to open the door.

Interior doors shall have a maximum opening force of 5 pounds.

These forces do not apply to the force required to retract latch bolts or disengage other devices that hold the door or gate in a closed position. Door closers and gate closers shall be adjusted so that from an open position of 90 degrees, the time required to move the door to a position of 12 degrees from the latch is 5 seconds minimum.

Door and gate spring hinges shall be adjusted so that from the open position of 70 degrees, the door or gate shall move to the closed position in 1.5 seconds minimum.

2010 ADAS Section 404.2.9

Fire doors shall have a minimum opening force allowable by the appropriate administrative authority. The force for pushing or pulling open a door or gate other than fire doors shall be as follows: 1. Interior hinged doors and gates: 5 pounds (22.2 N) maximum. 2. Sliding or folding doors: 5 pounds (22.2 N) maximum. These forces do not apply to the force required to retract latch bolts or disengage other devices that hold the door or gate in a closed position.

Citation:

2010 ADAS Section: 404.2.9

As Built:

8 pounds of pressure required

Recommendation:

Adjust door closer to 5 lbs. of pressure or less.

Barrier Priority:

2 (Important): Should be completed as soon as possible. (Includes; Findings that would remove barriers to the greatest number of people to your goods and services)

Department:

N/A

Estimated Remediation Date:

N/A

Notes:

N/A

Finding #139 Continued



Finding 299071 Main Photo

2nd Floor Hallway (Mezzanine Level)

Lat: 38.8308867000, Long: -104.8266744000

Finding: 140

The door is equipped with spring hinges and returns to a closed position too quickly.

Doors and gates with spring hinges shall be adjusted so that from an open position of 70 degrees, the door shall move to the closed position in 1.5 seconds minimum.

2010 ADAS Section 404.2.8.2

Door and gate spring hinges shall be adjusted so that from the open position of 70 degrees, the door or gate shall move to the closed position in 1.5 seconds minimum.

Citation:

2010 ADAS Section: 404.2.8.2

As Built:

4.2 seconds to fully closed position

Recommendation:

Adjust door closer to allow a minimum of 5 seconds to move from the open position at 90 degrees to 12 degrees from the latch/locking mechanism.

Barrier Priority:

2 (Important): Should be completed as soon as possible. (Includes; Findings that would remove barriers to the greatest number of people to your goods and services)

Department:

N/A

Estimated Remediation Date:

N/A

Notes:

N/A

Finding #140 Continued



Finding 299072 Main Photo

Finding #140 Additional Finding Photos



Finding 299072 Additional Photo

2nd Floor, N. side (Mezzanine Level)

Lat: 38.8309600000, Long: -104.8266000000

Finding: 141

The drinking fountain is not accessible.

The spout is located 7 inches from the front edge of the unit (5 inches maximum).

Spout height is 37 inches above the finished floor (36 inches maximum).

The angle of water stream is non-compliant (15 or 30 degrees allowed)

Spout water flow is below the 4 inch high minimum.

2010 ADAS Section 403.5.1

Except as provided in 403.5.2 and 403.5.3, the clear width of walking surfaces shall be 36 inches (915 mm) minimum.

2010 ADAS Section 602.1

Drinking fountains shall comply with 307 and 602.

Citation:

2010 ADAS Section: 403.5.1, 602.1

As Built:

Spout at 7 inches from front edge of unit

Recommendation:

Provide a hi-lo fountain unit to meet current ADA standards. Spout shall be 15 inches minimum from the vertical support and 5 inches maximum from the front edge of the unit, including bumpers. Spout outlets shall be 36 inches maximum above the finished floor or ground.

Barrier Priority:

4 (Low): Should be completed as soon as possible due to being a technical violation, but may not result in providing greater access to persons with disabilities. (Includes; Findings that are technically violations but provide a moderate to low increase in accessibility compared to the financial impact on the entity)

Department:

N/A

Estimated Remediation Date:

N/A

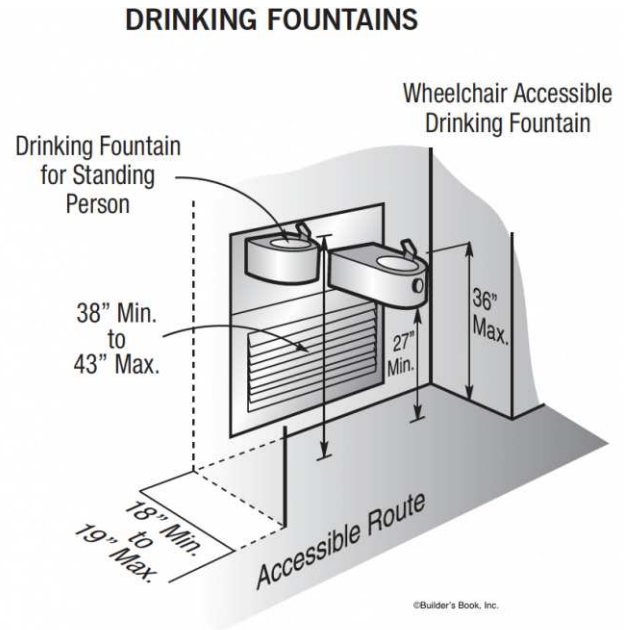
Notes:

N/A

Finding #141 Continued



Finding 31522 Main Photo



Finding #141 Additional Finding Photos



Finding 31522 Additional Photo



Finding 31522 Additional Photo



Finding 31522 Additional Photo



Finding 31522 Additional Photo

2nd Floor, N. side, Womens Restrooms (Mezzanine Level)

Lat: 38.8308900000, Long: -104.8267000000

Finding: 142

The locking/latching hardware is not accessible.

Hand-activated door opening hardware, handles, pulls, latches, locks, and other operating devices on accessible doors shall have a shape that is easy to grasp with one hand and does not require tight grasping, tight pinching or twisting of the wrist to operate.

2010 ADAS Section 604.8.1.2

Toilet compartment doors, including door hardware, shall comply with 404 except that if the approach is to the latch side of the compartment door, clearance between the door side of the compartment and any obstruction shall be 42 inches (1065 mm) minimum. Doors shall be located in the front partition or in the side wall or partition farthest from the water closet. Where located in the front partition, the door opening shall be 4 inches (100 mm) maximum from the side wall or partition farthest from the water closet. Where located in the side wall or partition, the door opening shall be 4 inches (100 mm) maximum from the front partition. The door shall be self-closing. A door pull complying with 404.2.7 shall be placed on both sides of the door near the latch. Toilet compartment doors shall not swing into the minimum required compartment area.

Citation:

2010 ADAS Section: 604.8.1.2

As Built:

Requires tight grasping and twisting of the wrist

Recommendation:

Replace locking hardware with locking lever that does not require tight grasping, tight pinching or twisting of the wrist to operate.

Barrier Priority:

3 (Moderate): Should be completed as soon as possible, but there may be other items that will provide greater access to persons with disabilities. (Includes; Findings that have a high financial impact on the entity in relationship to the degree of access provided)

Department:

N/A

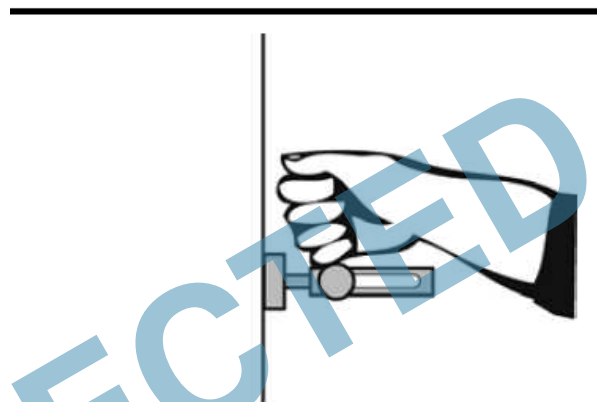
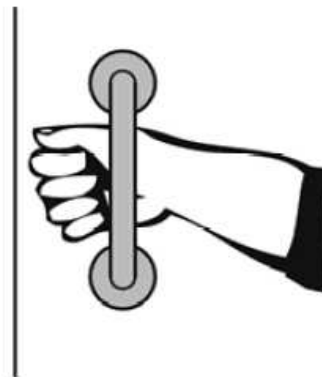
Estimated Remediation Date:

N/A

Notes:

N/A

Finding #142 Continued



Finding 299028 Main Photo

CORRECTED

2nd Floor, N. side, Womens Restrooms (Mezzanine Level)

Lat: 38.8308900000, Long: -104.8267000000

Finding: 143

The side grab bar does not extend far enough from the rear wall.

The side grab bar must extend at least 54 inches minimum beyond the rear wall and start a maximum of 12 inches from the rear wall. A 42 inch grab bar installed the maximum distance from the rear wall (12 inches) will leave the leading end 54 inches from the rear wall. Grab bars shall be installed in a horizontal position, 33 inches minimum and 36 inches maximum above the finish floor measured to the top of the gripping surface.

2010 ADAS Section 604.5.1

The side wall grab bar shall be 42 inches (1065 mm) long minimum, located 12 inches (305 mm) maximum from the rear wall and extending 54 inches (1370 mm) minimum from the rear wall.

Citation:

2010 ADAS Section: 604.5.1

As Built:

Extends 53 inches
from rear wall

Recommendation:

Adjust side grab bar not to exceed 12 inches from rear wall. The side grab bar must extend at least 54 inches minimum beyond the rear wall.

Barrier Priority:

3 (Moderate): Should be completed as soon as possible, but there may be other items that will provide greater access to persons with disabilities. (Includes; Findings that have a high financial impact on the entity in relationship to the degree of access provided)

Department:

N/A

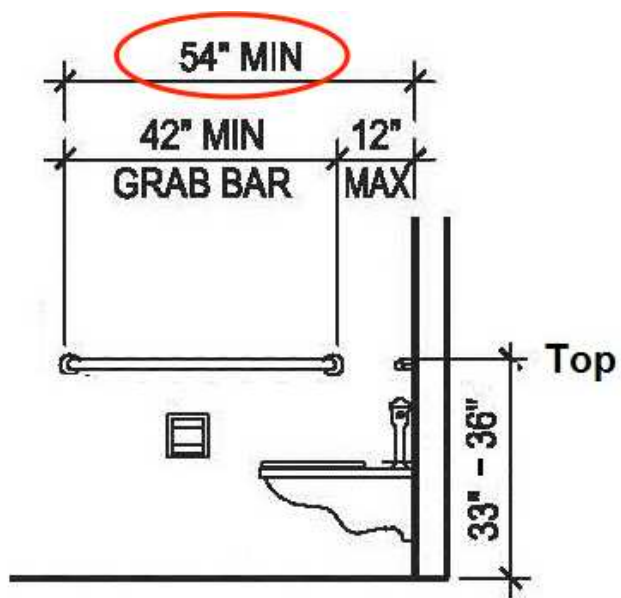
Estimated Remediation Date:

N/A

Notes:

N/A

Finding #143 Continued



Finding 299031 Main Photo

Finding #143 Additional Finding Photos



Finding 299031 Additional Photo

2nd Floor, N. side, Womens Restrooms (Mezzanine Level)

Lat: 38.8308867000, Long: -104.8266744000

Finding: 144

The toilet paper is not installed within the compliant range.

Toilet paper dispensers shall be 7 inches minimum and 9 inches maximum in front of the water closet measured to the centerline of the dispenser. The outlet of the dispenser shall be 15 inches minimum and 48 inches maximum above the finish floor and shall not be located behind grab bars. Dispensers shall not be of a type that controls delivery or that does not allow continuous paper flow. There shall be a clearance of 1 1/2 inches minimum below the grab bar.

2010 ADAS Section 604.7

Toilet paper dispensers shall comply with 309.4 and shall be 7 inches (180 mm) minimum and 9 inches (230 mm) maximum in front of the water closet measured to the centerline of the dispenser. The outlet of the dispenser shall be 15 inches (380 mm) minimum and 48 inches (1220 mm) maximum above the finish floor and shall not be located behind grab bars. Dispensers shall not be of a type that controls delivery or that does not allow continuous paper flow.

Citation:

2010 ADAS Section: 604.7

As Built:

4 inches in front of toilet

Recommendation:

Re-position toilet paper dispenser to be within 7 inches minimum to 9 inches maximum in front of the toilet measured to the centerline of the dispenser.

Barrier Priority:

3 (Moderate): Should be completed as soon as possible, but there may be other items that will provide greater access to persons with disabilities. (Includes; Findings that have a high financial impact on the entity in relationship to the degree of access provided)

Department:

N/A

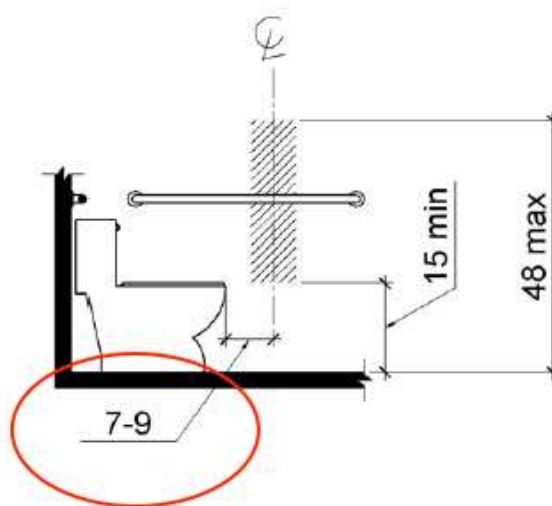
Estimated Remediation Date:

N/A

Notes:

N/A

Finding #144 Continued



Finding 299033 Main Photo

2nd Floor, N. side, Womens Restrooms (Mezzanine Level)

Lat: 38.8308900000, Long: -104.8267000000

Finding: 145

The baby changing table, in the down position, obstructs the landing at the door.

Landings for interior doors on the pull side with a forward approach must be a minimum distance of 60 inches in the direction of travel. The width of the landing must be as wide as the door plus an additional 18 inches on the strike side. The landing including strike side clearance must be clear of obstructions. Landings for interior doors on the push side with a forward approach must be a minimum distance of 48 inches in the direction of travel.

2010 ADAS Section 404.1

Doors, doorways, and gates that are part of an accessible route shall comply with 404.

Citation:

2010 ADAS Section: 404.1

As Built:

Limits entrance into
compartment stall to
28.5 inches

Recommendation:

Relocate baby changing station outside of compartment stall or reconfigure compartment stall to meet width requirements.

Barrier Priority:

3 (Moderate): Should be completed as soon as possible, but there may be other items that will provide greater access to persons with disabilities. (Includes; Findings that have a high financial impact on the entity in relationship to the degree of access provided)

Department:

N/A

Estimated Remediation Date:

N/A

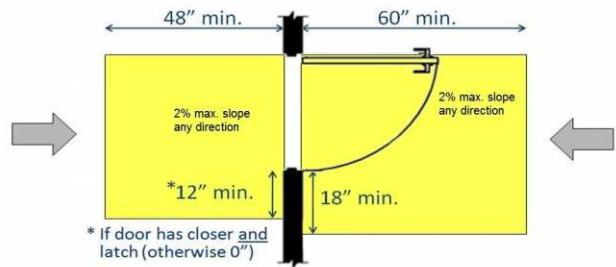
Notes:

N/A

Finding #145 Continued



Finding 299034 Main Photo



CORRECTED

2nd Floor, N. side, Womens Restrooms (Mezzanine Level)

Lat: 38.8308900000, Long: -104.8267000000

Finding: 146

Compliant room identification signs are missing.

Sign shall be located alongside the door at the latch side. Where a tactile sign is provided at double doors with one active leaf, the sign shall be located on the inactive leaf. Where a tactile sign is provided at double doors with two active leafs, the sign shall be located to the right of the right hand door. Where there is no wall space at the latch side of a single door or at the right side of double doors, signs shall be located on the nearest adjacent wall. Signs containing tactile characters shall be located so that a clear floor space of 18 inches minimum by 18 inches minimum, centered on the tactile characters, is provided beyond the arc of any door swing between the closed position and 45 degree open position.

Wall signs identifying permanent rooms and spaces of a building shall be in a horizontal format and the characters raised 1/32 inch minimum and shall be sans serif uppercase characters a minimum of 5/8 inch and a maximum of 2 inches high. Contracted Grade 2 Braille shall be in a horizontal format and shall be placed a minimum of 3/8 inch and a maximum of 1/2 inch directly below the tactile characters; flush left or centered. Dots shall be 1/10 inch on center in each cell with 2/10-inch space between cells, measured from the second column of dots in the first cell to the first column of dots in the second cell. Dots shall be raised a minimum of 1/40 inch above the background. Braille dots shall be domed or rounded. Signs with raised characters or Braille shall be located 48 inches minimum above the finish floor or ground surface, measured from the baseline of the lowest tactile character and 60 inches maximum above the finish floor or ground surface, measured from the baseline of the highest tactile character.

2010 ADAS Section 216.2

Interior and exterior signs identifying permanent rooms and spaces shall comply with 703.1, 703.2, and 703.5. Where pictograms are provided as designations of permanent interior rooms and spaces, the pictograms shall comply with 703.6 and shall have text descriptors complying with 703.2 and 703.5.

2010 ADAS Section 703.4.2

Where a tactile sign is provided at a door, the sign shall be located alongside the door at the latch side. Where a tactile sign is provided at double doors with one active leaf, the sign shall be located on the inactive leaf. Where a tactile sign is provided at double doors with two active leafs, the sign shall be located to the right of the right hand door. Where there is no wall space at the latch side of a single door or at the right side of double doors, signs shall be located on the nearest adjacent wall. Signs containing tactile characters shall be located so that a clear floor space of 18 inches (455 mm) minimum by 18 inches (455 mm) minimum, centered on the tactile characters, is provided beyond the arc of any door swing between the closed position and 45 degree open position.

Citation:

2010 ADAS Section: 216.2, 703.4.2

As Built:

Non compliant
restroom sign

Recommendation:

Place new sign alongside the door at the latch side or nearest adjacent wall. Braille characters shall

measured 48 inches minimum from the baseline of the lowest tactile character and 60 inches maximum above the finish floor or ground surface, measured from the baseline of the highest tactile character.

Barrier Priority:

3 (Moderate): Should be completed as soon as possible, but there may be other items that will provide greater access to persons with disabilities. (Includes; Findings that have a high financial impact on the entity in relationship to the degree of access provided)

Department:

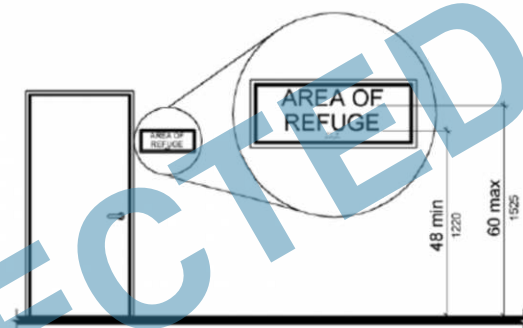
N/A

Estimated Remediation Date:

N/A

Notes:

N/A



Finding 299024 Main Photo

2nd Floor, N. side, Womens Restrooms (Mezzanine Level)

Lat: 38.8308900000, Long: -104.8267000000

Finding: 147

The water closet compartment door is missing a loop handle on the outside.

Water closet compartments must be equipped with a door that has a loop or U-shaped handle on both sides of the door immediately below the latch. The latch must be flip-over style, sliding or other hardware not requiring the user to grasp or twist.

2010 ADAS Section 604.8.1.2

Toilet compartment doors, including door hardware, shall comply with 404 except that if the approach is to the latch side of the compartment door, clearance between the door side of the compartment and any obstruction shall be 42 inches (1065 mm) minimum. Doors shall be located in the front partition or in the side wall or partition farthest from the water closet. Where located in the front partition, the door opening shall be 4 inches (100 mm) maximum from the side wall or partition farthest from the water closet. Where located in the side wall or partition, the door opening shall be 4 inches (100 mm) maximum from the front partition. The door shall be self-closing. A door pull complying with 404.2.7 shall be placed on both sides of the door near the latch. Toilet compartment doors shall not swing into the minimum required compartment area.

Citation:

2010 ADAS Section: 604.8.1.2

As Built:

Missing loop handle
on outside of
compartment door

Recommendation:

Install loop or U-shaped handle on outside of compartment door.

Barrier Priority:

3 (Moderate): Should be completed as soon as possible, but there may be other items that will provide greater access to persons with disabilities. (Includes; Findings that have a high financial impact on the entity in relationship to the degree of access provided)

Department:

N/A

Estimated Remediation Date:

N/A

Notes:

N/A

Finding #147 Continued



Finding 299026 Main Photo

CORRECTED

2nd Floor, N. side, Womens Restrooms (Mezzanine Level)

Lat: 38.8308900000, Long: -104.8267000000

Finding: 148

The compartment door is not self closing.

The water closet compartment shall be equipped with a door that has an automatic-closing device.

2010 ADAS Section 604.8.1.2

Toilet compartment doors, including door hardware, shall comply with 404 except that if the approach is to the latch side of the compartment door, clearance between the door side of the compartment and any obstruction shall be 42 inches (1065 mm) minimum. Doors shall be located in the front partition or in the side wall or partition farthest from the water closet. Where located in the front partition, the door opening shall be 4 inches (100 mm) maximum from the side wall or partition farthest from the water closet. Where located in the side wall or partition, the door opening shall be 4 inches (100 mm) maximum from the front partition. The door shall be self-closing. A door pull complying with 404.2.7 shall be placed on both sides of the door near the latch. Toilet compartment doors shall not swing into the minimum required compartment area.

Citation:

2010 ADAS Section: 604.8.1.2

As Built:

Compartment door not self-closing

Recommendation:

Adjust or install automatic closing hinges.

Barrier Priority:

3 (Moderate): Should be completed as soon as possible, but there may be other items that will provide greater access to persons with disabilities. (Includes; Findings that have a high financial impact on the entity in relationship to the degree of access provided)

Department:

N/A

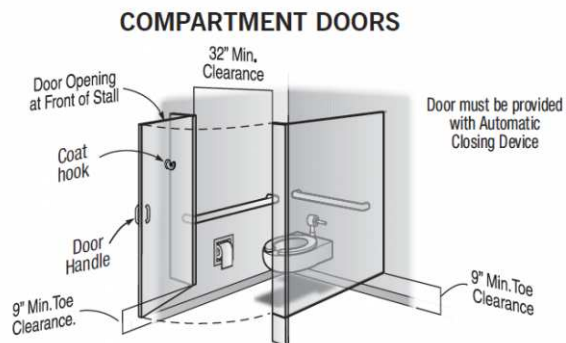
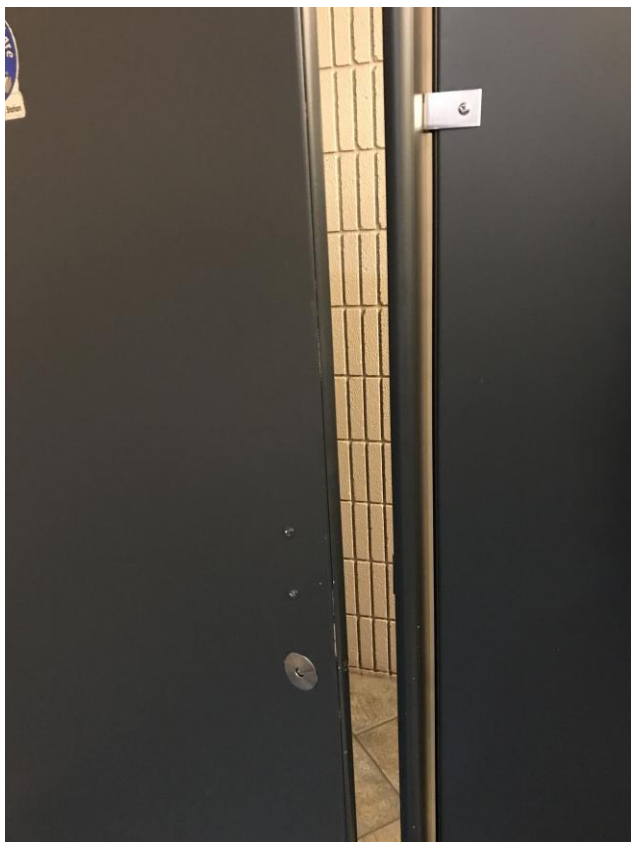
Estimated Remediation Date:

N/A

Notes:

N/A

Finding #148 Continued



Finding 299027 Main Photo

CORRECTED

2nd Floor, N. side, Womens Restrooms (Mezzanine Level)

Lat: 38.8308900000, Long: -104.8267000000

Finding: 149

The coat hook is installed greater than 48 inches above the finished floor.

Where a forward reach is unobstructed, the high forward reach shall be 48 inches maximum above the finished floor.

2010 ADAS Section 308.2.1

Where a forward reach is unobstructed, the high forward reach shall be 48 inches (1220 mm) maximum and the low forward reach shall be 15 inches (380 mm) minimum above the finish floor or ground.

Citation:

2010 ADAS Section: 308.2.1

As Built:

60 inches above
finished floor

Recommendation:

Lower coat hook 13 inches minimum or install another coat hook. Not to exceed a maximum height of 48 inches above finished floor.

Barrier Priority:

3 (Moderate): Should be completed as soon as possible, but there may be other items that will provide greater access to persons with disabilities. (Includes; Findings that have a high financial impact on the entity in relationship to the degree of access provided)

Department:

N/A

Estimated Remediation Date:

N/A

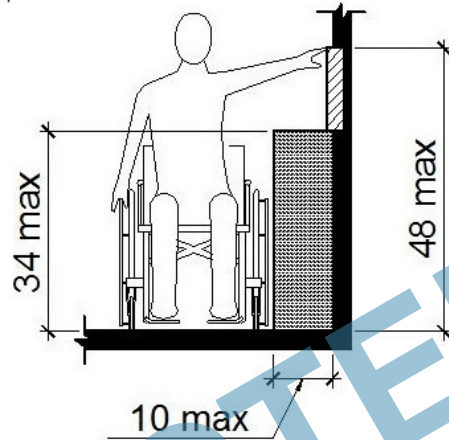
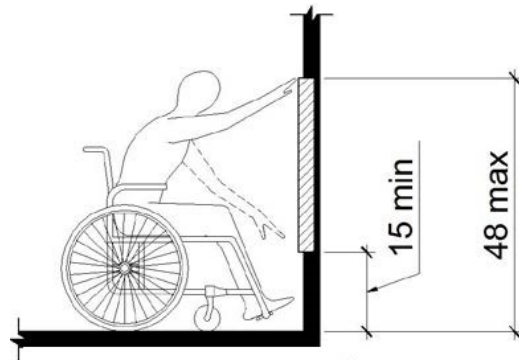
Notes:

N/A

Finding #149 Continued



Finding 299029 Main Photo



Considered
Unobstructed

CORRECTED

2nd Floor, N. side, Womens Restrooms (Mezzanine Level)

Lat: 38.8308900000, Long: -104.8267000000

Finding: 150

The coat hook is installed greater than 48 inches above the finished floor.

Where a forward reach is unobstructed, the high forward reach shall be 48 inches maximum above the finished floor.

2010 ADAS Section 308.2.1

Where a forward reach is unobstructed, the high forward reach shall be 48 inches (1220 mm) maximum and the low forward reach shall be 15 inches (380 mm) minimum above the finish floor or ground.

Citation:

2010 ADAS Section: 308.2.1

As Built:

Ambulatory stall coat
hook at 65.5 inches
above finished floor

Recommendation:

Lower coat hook 19 inches minimum or install another coat hook not to exceed a maximum height of 48 inches above finished floor.

Barrier Priority:

3 (Moderate): Should be completed as soon as possible, but there may be other items that will provide greater access to persons with disabilities. (Includes; Findings that have a high financial impact on the entity in relationship to the degree of access provided)

Department:

N/A

Estimated Remediation Date:

N/A

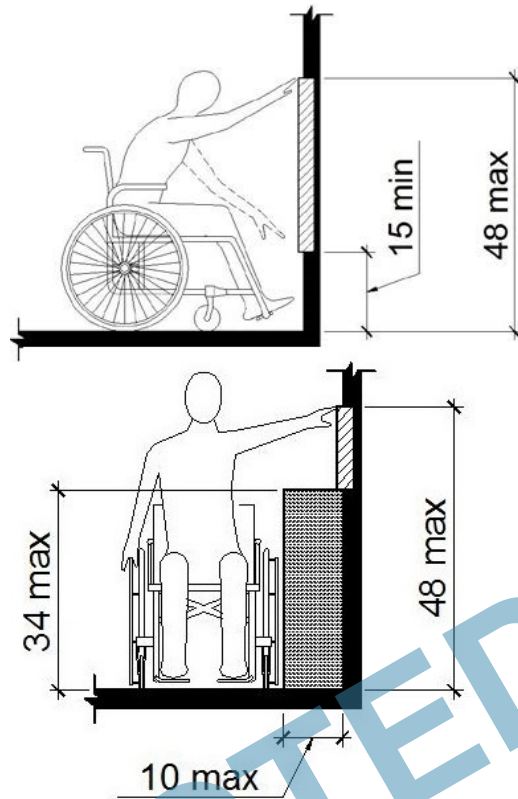
Notes:

N/A

Finding #150 Continued



Finding 299457 Main Photo



Considered
Unobstructed

CORRECTED

2nd Floor, N. side, Womens Restrooms (Mezzanine Level)

Lat: 38.8308900000, Long: -104.8267000000

Finding: 151

The compartment door is not self closing.

The water closet compartment shall be equipped with a door that has an automatic-closing device.

2010 ADAS Section 604.8.1.2

Toilet compartment doors, including door hardware, shall comply with 404 except that if the approach is to the latch side of the compartment door, clearance between the door side of the compartment and any obstruction shall be 42 inches (1065 mm) minimum. Doors shall be located in the front partition or in the side wall or partition farthest from the water closet. Where located in the front partition, the door opening shall be 4 inches (100 mm) maximum from the side wall or partition farthest from the water closet. Where located in the side wall or partition, the door opening shall be 4 inches (100 mm) maximum from the front partition. The door shall be self-closing. A door pull complying with 404.2.7 shall be placed on both sides of the door near the latch. Toilet compartment doors shall not swing into the minimum required compartment area.

Citation:

2010 ADAS Section: 604.8.1.2

As Built:

Ambulatory stall door
not self closing

Recommendation:

Adjust or install automatic closing hinges.

Barrier Priority:

3 (Moderate): Should be completed as soon as possible, but there may be other items that will provide greater access to persons with disabilities. (Includes; Findings that have a high financial impact on the entity in relationship to the degree of access provided)

Department:

N/A

Estimated Remediation Date:

N/A

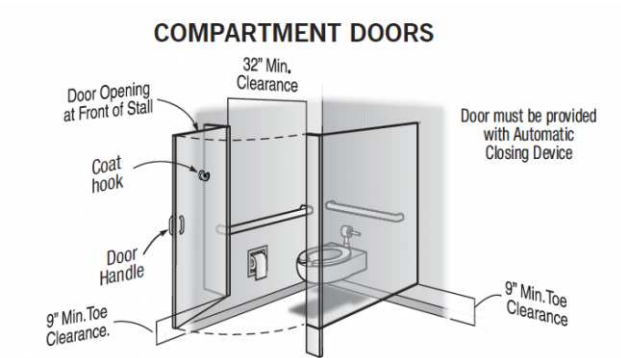
Notes:

N/A

Finding #151 Continued



Finding 299458 Main Photo



CORRECTED

2nd Floor, N. side, Womens Restrooms (Mezzanine Level)

Lat: 38.8308900000, Long: -104.8267000000

Finding: 152

The locking/latching hardware is not accessible.

Hand-activated door opening hardware, handles, pulls, latches, locks, and other operating devices on accessible doors shall have a shape that is easy to grasp with one hand and does not require tight grasping, tight pinching or twisting of the wrist to operate.

2010 ADAS Section 604.8.1.2

Toilet compartment doors, including door hardware, shall comply with 404 except that if the approach is to the latch side of the compartment door, clearance between the door side of the compartment and any obstruction shall be 42 inches (1065 mm) minimum. Doors shall be located in the front partition or in the side wall or partition farthest from the water closet. Where located in the front partition, the door opening shall be 4 inches (100 mm) maximum from the side wall or partition farthest from the water closet. Where located in the side wall or partition, the door opening shall be 4 inches (100 mm) maximum from the front partition. The door shall be self-closing. A door pull complying with 404.2.7 shall be placed on both sides of the door near the latch. Toilet compartment doors shall not swing into the minimum required compartment area.

Citation:

2010 ADAS Section: 604.8.1.2

As Built:

Ambulatory door lock requires tight grasping and twisting of the wrist

Recommendation:

Replace locking hardware with locking lever that does not require tight grasping, tight pinching or twisting of the wrist to operate.

Barrier Priority:

3 (Moderate): Should be completed as soon as possible, but there may be other items that will provide greater access to persons with disabilities. (Includes; Findings that have a high financial impact on the entity in relationship to the degree of access provided)

Department:

N/A

Estimated Remediation Date:

N/A

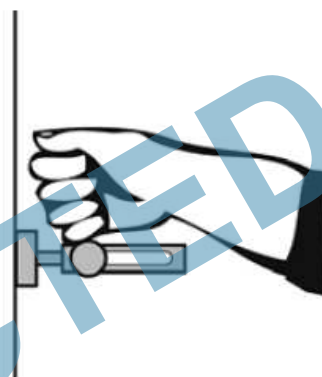
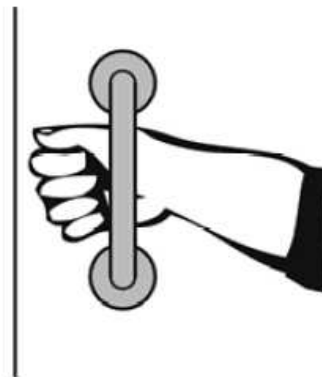
Notes:

N/A

Finding #152 Continued



Finding 299459 Main Photo



CORRECTED

2nd Floor, N. side, Womens Restrooms (Mezzanine Level)

Lat: 38.8308900000, Long: -104.8267000000

Finding: 153

The door to the ambulatory compartment swings into the minimum required compartment area.

Toilet compartment doors shall not swing into the minimum required compartment area.

2010 ADAS Section 604.8.2.2

Toilet compartment doors, including door hardware, shall comply with 404, except that if the approach is to the latch side of the compartment door, clearance between the door side of the compartment and any obstruction shall be 42 inches (1065 mm) minimum. The door shall be self-closing. A door pull complying with 404.2.7 shall be placed on both sides of the door near the latch. Toilet compartment doors shall not swing into the minimum required compartment area.

Citation:

2010 ADAS Section: 604.8.2.2

As Built:

Ambulatory stall door swings inwards

Recommendation:

Reverse door swing.

Barrier Priority:

3 (Moderate): Should be completed as soon as possible, but there may be other items that will provide greater access to persons with disabilities. (Includes; Findings that have a high financial impact on the entity in relationship to the degree of access provided)

Department:

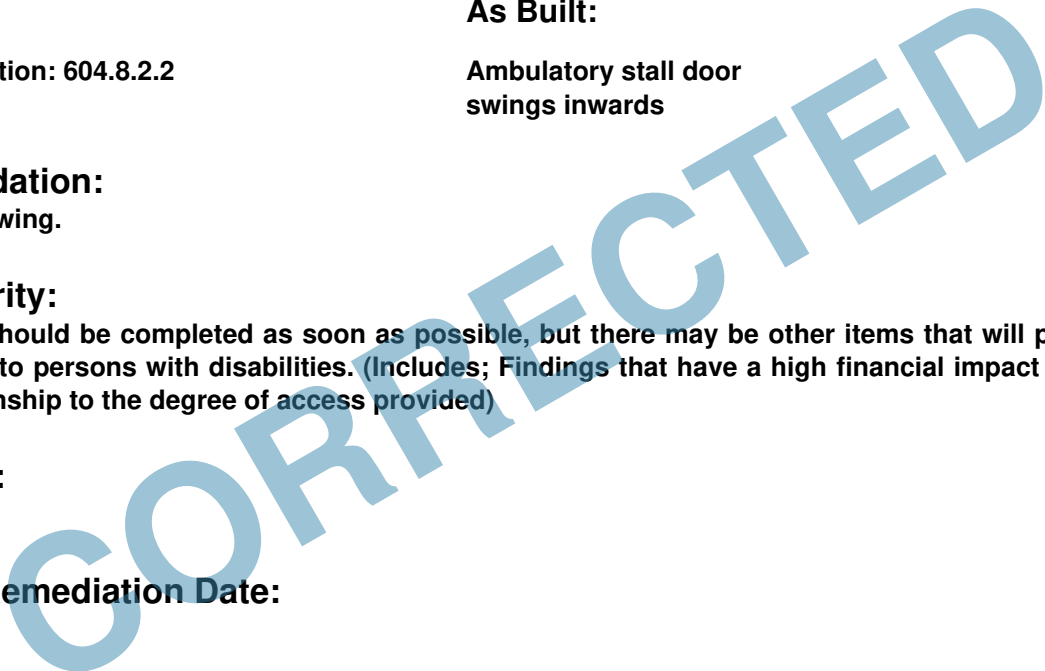
N/A

Estimated Remediation Date:

N/A

Notes:

N/A



Finding #153 Continued



Finding 299460 Main Photo

CORRECTED

2nd Floor, N. side, Womens Restrooms (Mezzanine Level)

Lat: 38.8308900000, Long: -104.8267000000

Finding: 154

The water closet compartment door is missing a loop handle.

Water closet compartments must be equipped with a door that has a loop or U-shaped handle on both sides of the door immediately below the latch. The latch must be flip-over style, sliding or other hardware not requiring the user to grasp or twist.

2010 ADAS Section 604.8.1.2

Toilet compartment doors, including door hardware, shall comply with 404 except that if the approach is to the latch side of the compartment door, clearance between the door side of the compartment and any obstruction shall be 42 inches (1065 mm) minimum. Doors shall be located in the front partition or in the side wall or partition farthest from the water closet. Where located in the front partition, the door opening shall be 4 inches (100 mm) maximum from the side wall or partition farthest from the water closet. Where located in the side wall or partition, the door opening shall be 4 inches (100 mm) maximum from the front partition. The door shall be self-closing. A door pull complying with 404.2.7 shall be placed on both sides of the door near the latch. Toilet compartment doors shall not swing into the minimum required compartment area.

Citation:

2010 ADAS Section: 604.8.1.2

As Built:

Both loop handles missing on ambulatory stall door

Recommendation:

Install loop or U-shaped handles on compartment door.

Barrier Priority:

3 (Moderate): Should be completed as soon as possible, but there may be other items that will provide greater access to persons with disabilities. (Includes; Findings that have a high financial impact on the entity in relationship to the degree of access provided)

Department:

N/A

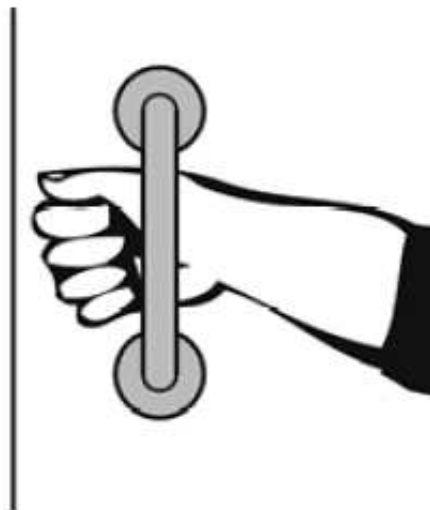
Estimated Remediation Date:

N/A

Notes:

N/A

Finding #154 Continued



Finding 299461 Main Photo

CORRECTED

2nd Floor, N. side, Womens Restrooms (Mezzanine Level)

Lat: 38.8308900000, Long: -104.8267000000

Finding: 155

Grab bars shall be provided on both sides of the compartment.

The side wall grab bar shall be 42 inches long minimum, located 12 inches maximum from the rear wall and extending 54 inches minimum from the rear wall.

2010 ADAS Section 604.8.2.3

Grab bars shall comply with 609. A side-wall grab bar complying with 604.5.1 shall be provided on both sides of the compartment.

Citation:

2010 ADAS Section: 604.8.2.3

As Built:

Grab bars missing
inside ambulatory stall

Recommendation:

Install 42 inch grab bars in a horizontal position 33 inches minimum and 36 inches maximum above the finished floor measured to the top of the gripping surface.

Barrier Priority:

3 (Moderate): Should be completed as soon as possible, but there may be other items that will provide greater access to persons with disabilities. (Includes; Findings that have a high financial impact on the entity in relationship to the degree of access provided)

Department:

N/A

Estimated Remediation Date:

N/A

Notes:

N/A

Finding #155 Continued



Finding 299462 Main Photo

CORRECTED

2nd Floor, N. side, Womens Restrooms (Mezzanine Level)

Lat: 38.8308900000, Long: -104.8267000000

Finding: 156

The toilet paper is not installed within the compliant range.

Toilet paper dispensers shall be 7 inches minimum and 9 inches maximum in front of the water closet measured to the centerline of the dispenser. The outlet of the dispenser shall be 15 inches minimum and 48 inches maximum above the finish floor and shall not be located behind grab bars. Dispensers shall not be of a type that controls delivery or that does not allow continuous paper flow. There shall be a clearance of 1 1/2 inches minimum below the grab bar.

2010 ADAS Section 604.7

Toilet paper dispensers shall comply with 309.4 and shall be 7 inches (180 mm) minimum and 9 inches (230 mm) maximum in front of the water closet measured to the centerline of the dispenser. The outlet of the dispenser shall be 15 inches (380 mm) minimum and 48 inches (1220 mm) maximum above the finish floor and shall not be located behind grab bars. Dispensers shall not be of a type that controls delivery or that does not allow continuous paper flow.

Citation:

2010 ADAS Section: 604.7

As Built:

Ambulatory stall toilet
paper dispenser 5
inches in front of toilet

Recommendation:

Re-position toilet paper dispenser to be within 7 inches minimum to 9 inches maximum in front of the toilet measured to the centerline of the dispenser.

Barrier Priority:

3 (Moderate): Should be completed as soon as possible, but there may be other items that will provide greater access to persons with disabilities. (Includes; Findings that have a high financial impact on the entity in relationship to the degree of access provided)

Department:

N/A

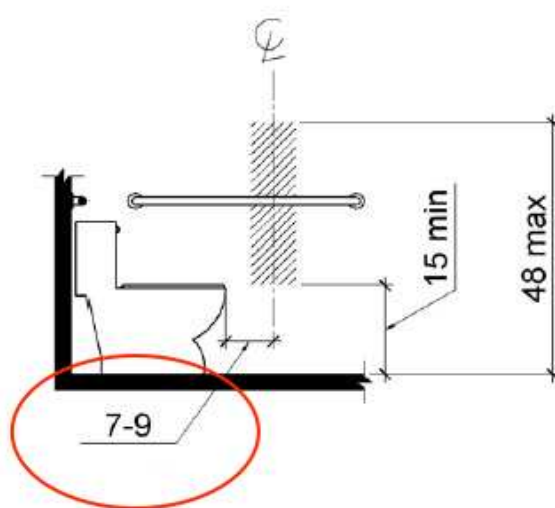
Estimated Remediation Date:

N/A

Notes:

N/A

Finding #156 Continued



Finding 299463 Main Photo

CORRECTED

2nd Floor, N. side, Womens Restrooms (Mezzanine Level)

Lat: 38.8308900000, Long: -104.8267000000

Finding: 157

Provide directional signage to the nearest accessible restrooms.

Signs that identify, direct to or give information about accessible elements and features of a building or site, shall have a non-glare finish, contrast with their background, be selected from fonts where the width of the uppercase letter "O" is 55 percent minimum and 110 percent maximum of the height of the uppercase letter "I". Characters shall be uppercase or lowercase or a combination of both, conventional in form and shall not be italic, oblique, script, highly decorative, or of other unusual forms and be sized according to the viewing distance.

2010 ADAS Section 216.8

Where existing toilet rooms or bathing rooms do not comply with 603, directional signs indicating the location of the nearest toilet room or bathing room complying with 603 within the facility shall be provided. Signs shall comply with 703.5 and shall include the International Symbol of Accessibility complying with 703.7.2.1. Where existing toilet rooms or bathing rooms do not comply with 603, the toilet rooms or bathing rooms complying with 603 shall be identified by the International Symbol of Accessibility complying with 703.7.2.1. Where clustered single user toilet rooms or bathing facilities are permitted to use exceptions to 213.2, toilet rooms or bathing facilities complying with 603 shall be identified by the International Symbol of Accessibility complying with 703.7.2.1 unless all toilet rooms and bathing facilities comply with 603.

Citation:

2010 ADAS Section: 216.8

As Built:

No directional signage identifying accessible restrooms location

Recommendation:

Install directional signage from ceiling directing public to accessible restrooms.

Barrier Priority:

3 (Moderate): Should be completed as soon as possible, but there may be other items that will provide greater access to persons with disabilities. (Includes; Findings that have a high financial impact on the entity in relationship to the degree of access provided)

Department:

N/A

Estimated Remediation Date:

N/A

Notes:

N/A



CORRECTED

2nd Floor, N. side, Mens Restrooms (Mezzanine Level)

Lat: 38.8308900000, Long: -104.8267000000

Finding: 158

The compartment door is not self closing.

The water closet compartment shall be equipped with a door that has an automatic-closing device.

2010 ADAS Section 604.8.1.2

Toilet compartment doors, including door hardware, shall comply with 404 except that if the approach is to the latch side of the compartment door, clearance between the door side of the compartment and any obstruction shall be 42 inches (1065 mm) minimum. Doors shall be located in the front partition or in the side wall or partition farthest from the water closet. Where located in the front partition, the door opening shall be 4 inches (100 mm) maximum from the side wall or partition farthest from the water closet. Where located in the side wall or partition, the door opening shall be 4 inches (100 mm) maximum from the front partition. The door shall be self-closing. A door pull complying with 404.2.7 shall be placed on both sides of the door near the latch. Toilet compartment doors shall not swing into the minimum required compartment area.

Citation:

2010 ADAS Section: 604.8.1.2

As Built:

Compartment door not self-closing

Recommendation:

Adjust or install automatic closing hinges.

Barrier Priority:

3 (Moderate): Should be completed as soon as possible, but there may be other items that will provide greater access to persons with disabilities. (Includes; Findings that have a high financial impact on the entity in relationship to the degree of access provided)

Department:

N/A

Estimated Remediation Date:

N/A

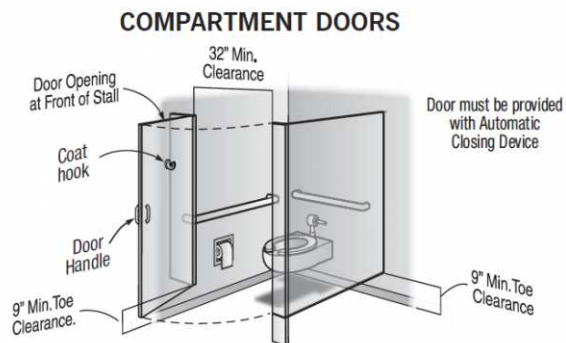
Notes:

N/A

Finding #158 Continued



Finding 299041 Main Photo



CORRECTED

2nd Floor, N. side, Mens Restrooms (Mezzanine Level)

Lat: 38.8308900000, Long: -104.8267000000

Finding: 159

The coat hook is installed greater than 48 inches above the finished floor.

Where a forward reach is unobstructed, the high forward reach shall be 48 inches maximum above the finished floor.

2010 ADAS Section 308.2.1

Where a forward reach is unobstructed, the high forward reach shall be 48 inches (1220 mm) maximum and the low forward reach shall be 15 inches (380 mm) minimum above the finish floor or ground.

Citation:

2010 ADAS Section: 308.2.1

As Built:

60.5 inches above
finished floor

Recommendation:

Lower coat hook 13 inches minimum or install another coat hook. Not to exceed a maximum height of 48 inches above finished floor.

Barrier Priority:

3 (Moderate): Should be completed as soon as possible, but there may be other items that will provide greater access to persons with disabilities. (Includes; Findings that have a high financial impact on the entity in relationship to the degree of access provided)

Department:

N/A

Estimated Remediation Date:

N/A

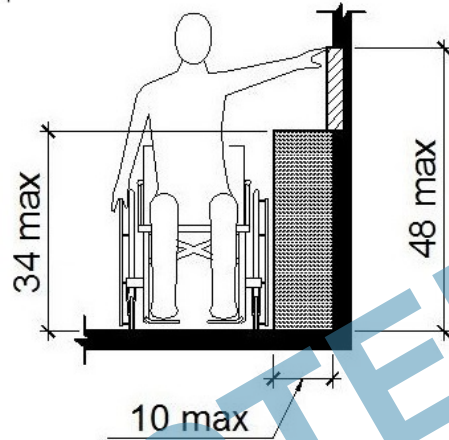
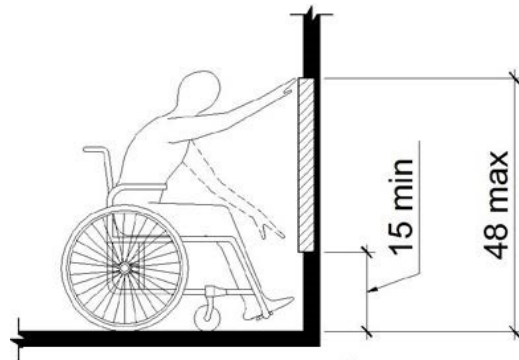
Notes:

N/A

Finding #159 Continued



Finding 299042 Main Photo



Considered
Unobstructed

CORRECTED

2nd Floor, N. side, Mens Restrooms (Mezzanine Level)

Lat: 38.8308900000, Long: -104.8267000000

Finding: 160

The side grab bar does not extend far enough from the rear wall.

The side grab bar must extend at least 54 inches minimum beyond the rear wall and start a maximum of 12 inches from the rear wall. A 42 inch grab bar installed the maximum distance from the rear wall (12 inches) will leave the leading end 54 inches from the rear wall. Grab bars shall be installed in a horizontal position, 33 inches minimum and 36 inches maximum above the finish floor measured to the top of the gripping surface.

2010 ADAS Section 604.5.1

The side wall grab bar shall be 42 inches (1065 mm) long minimum, located 12 inches (305 mm) maximum from the rear wall and extending 54 inches (1370 mm) minimum from the rear wall.

Citation:

2010 ADAS Section: 604.5.1

As Built:

Extends 51.75 inches from rear wall

Recommendation:

Adjust side grab bar not to exceed 12 inches from rear wall. The side grab bar must extend at least 54 inches minimum beyond the rear wall.

Barrier Priority:

3 (Moderate): Should be completed as soon as possible, but there may be other items that will provide greater access to persons with disabilities. (Includes; Findings that have a high financial impact on the entity in relationship to the degree of access provided)

Department:

N/A

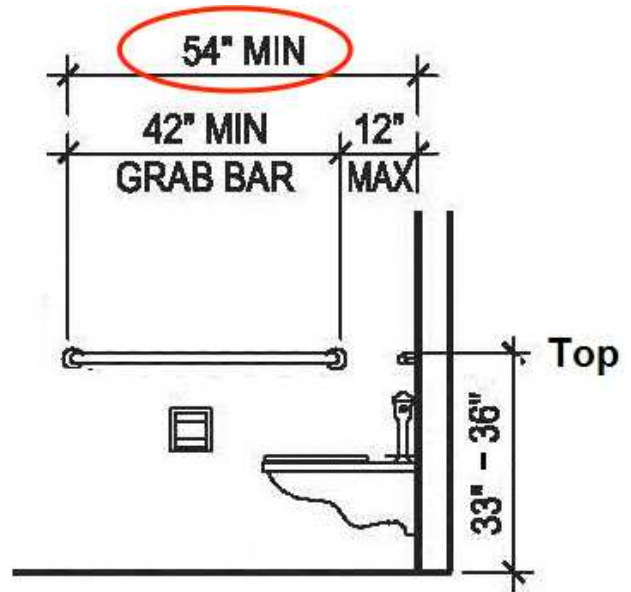
Estimated Remediation Date:

N/A

Notes:

N/A

Finding #160 Continued



Finding 299044 Main Photo

CORRECTED

Finding #160 Additional Finding Photos



Finding 299044 Additional Photo

CORRECTED

2nd Floor, N. side, Mens Restrooms (Mezzanine Level)

Lat: 38.8308900000, Long: -104.8267000000

Finding: 161

The baby changing table, in the down position, obstructs the landing at the door.

Landings for interior doors on the pull side with a forward approach must be a minimum distance of 60 inches in the direction of travel. The width of the landing must be as wide as the door plus an additional 18 inches on the strike side. The landing including strike side clearance must be clear of obstructions. Landings for interior doors on the push side with a forward approach must be a minimum distance of 48 inches in the direction of travel.

2010 ADAS Section 404.1

Doors, doorways, and gates that are part of an accessible route shall comply with 404.

Citation:

2010 ADAS Section: 404.1

As Built:

Limits entrance into
compartment stall to
28.5 inches

Recommendation:

Relocate baby changing station outside of compartment stall or reconfigure compartment stall to meet width requirements.

Barrier Priority:

3 (Moderate): Should be completed as soon as possible, but there may be other items that will provide greater access to persons with disabilities. (Includes; Findings that have a high financial impact on the entity in relationship to the degree of access provided)

Department:

N/A

Estimated Remediation Date:

N/A

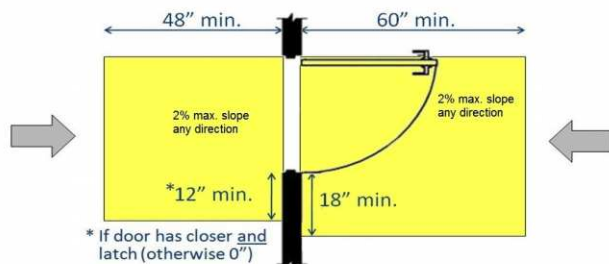
Notes:

N/A

Finding #161 Continued



Finding 299046 Main Photo



CORRECTED

2nd Floor, N. side, Mens Restrooms (Mezzanine Level)

Lat: 38.8308900000, Long: -104.8267000000

Finding: 162

Compliant room identification signs are missing.

Sign shall be located alongside the door at the latch side. Where a tactile sign is provided at double doors with one active leaf, the sign shall be located on the inactive leaf. Where a tactile sign is provided at double doors with two active leafs, the sign shall be located to the right of the right hand door. Where there is no wall space at the latch side of a single door or at the right side of double doors, signs shall be located on the nearest adjacent wall. Signs containing tactile characters shall be located so that a clear floor space of 18 inches minimum by 18 inches minimum, centered on the tactile characters, is provided beyond the arc of any door swing between the closed position and 45 degree open position.

Wall signs identifying permanent rooms and spaces of a building shall be in a horizontal format and the characters raised 1/32 inch minimum and shall be sans serif uppercase characters a minimum of 5/8 inch and a maximum of 2 inches high. Contracted Grade 2 Braille shall be in a horizontal format and shall be placed a minimum of 3/8 inch and a maximum of 1/2 inch directly below the tactile characters; flush left or centered. Dots shall be 1/10 inch on center in each cell with 2/10-inch space between cells, measured from the second column of dots in the first cell to the first column of dots in the second cell. Dots shall be raised a minimum of 1/40 inch above the background. Braille dots shall be domed or rounded. Signs with raised characters or Braille shall be located 48 inches minimum above the finish floor or ground surface, measured from the baseline of the lowest tactile character and 60 inches maximum above the finish floor or ground surface, measured from the baseline of the highest tactile character.

2010 ADAS Section 216.2

Interior and exterior signs identifying permanent rooms and spaces shall comply with 703.1, 703.2, and 703.5. Where pictograms are provided as designations of permanent interior rooms and spaces, the pictograms shall comply with 703.6 and shall have text descriptors complying with 703.2 and 703.5.

2010 ADAS Section 703.4.2

Where a tactile sign is provided at a door, the sign shall be located alongside the door at the latch side. Where a tactile sign is provided at double doors with one active leaf, the sign shall be located on the inactive leaf. Where a tactile sign is provided at double doors with two active leafs, the sign shall be located to the right of the right hand door. Where there is no wall space at the latch side of a single door or at the right side of double doors, signs shall be located on the nearest adjacent wall. Signs containing tactile characters shall be located so that a clear floor space of 18 inches (455 mm) minimum by 18 inches (455 mm) minimum, centered on the tactile characters, is provided beyond the arc of any door swing between the closed position and 45 degree open position.

Citation:

2010 ADAS Section: 216.2, 703.4.2

As Built:

**Non compliant
restroom sign**

Recommendation:

Place new sign alongside the door at the latch side or nearest adjacent wall. Braille characters shall

measured 48 inches minimum from the baseline of the lowest tactile character and 60 inches maximum above the finish floor or ground surface, measured from the baseline of the highest tactile character.

Barrier Priority:

3 (Moderate): Should be completed as soon as possible, but there may be other items that will provide greater access to persons with disabilities. (Includes; Findings that have a high financial impact on the entity in relationship to the degree of access provided)

Department:

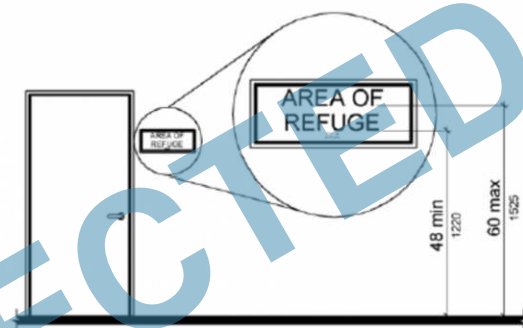
N/A

Estimated Remediation Date:

N/A

Notes:

N/A



Finding 299036 Main Photo

2nd Floor, N. side, Mens Restrooms (Mezzanine Level)

Lat: 38.8308900000, Long: -104.8267000000

Finding: 163

The water closet compartment door is missing a loop handle on the outside.

Water closet compartments must be equipped with a door that has a loop or U-shaped handle on both sides of the door immediately below the latch. The latch must be flip-over style, sliding or other hardware not requiring the user to grasp or twist.

2010 ADAS Section 604.8.1.2

Toilet compartment doors, including door hardware, shall comply with 404 except that if the approach is to the latch side of the compartment door, clearance between the door side of the compartment and any obstruction shall be 42 inches (1065 mm) minimum. Doors shall be located in the front partition or in the side wall or partition farthest from the water closet. Where located in the front partition, the door opening shall be 4 inches (100 mm) maximum from the side wall or partition farthest from the water closet. Where located in the side wall or partition, the door opening shall be 4 inches (100 mm) maximum from the front partition. The door shall be self-closing. A door pull complying with 404.2.7 shall be placed on both sides of the door near the latch. Toilet compartment doors shall not swing into the minimum required compartment area.

Citation:

2010 ADAS Section: 604.8.1.2

As Built:

Missing loop handle
on outside of
compartment door

Recommendation:

Install loop or U-shaped handle on outside of compartment door.

Barrier Priority:

3 (Moderate): Should be completed as soon as possible, but there may be other items that will provide greater access to persons with disabilities. (Includes; Findings that have a high financial impact on the entity in relationship to the degree of access provided)

Department:

N/A

Estimated Remediation Date:

N/A

Notes:

N/A

Finding #163 Continued



Finding 299039 Main Photo

CORRECTED

2nd Floor, N. side, Mens Restrooms (Mezzanine Level)

Lat: 38.8308900000, Long: -104.8267000000

Finding: 164

The locking/latching hardware is not accessible.

Hand-activated door opening hardware, handles, pulls, latches, locks, and other operating devices on accessible doors shall have a shape that is easy to grasp with one hand and does not require tight grasping, tight pinching or twisting of the wrist to operate.

2010 ADAS Section 604.8.1.2

Toilet compartment doors, including door hardware, shall comply with 404 except that if the approach is to the latch side of the compartment door, clearance between the door side of the compartment and any obstruction shall be 42 inches (1065 mm) minimum. Doors shall be located in the front partition or in the side wall or partition farthest from the water closet. Where located in the front partition, the door opening shall be 4 inches (100 mm) maximum from the side wall or partition farthest from the water closet. Where located in the side wall or partition, the door opening shall be 4 inches (100 mm) maximum from the front partition. The door shall be self-closing. A door pull complying with 404.2.7 shall be placed on both sides of the door near the latch. Toilet compartment doors shall not swing into the minimum required compartment area.

Citation:

2010 ADAS Section: 604.8.1.2

As Built:

Requires tight grasping and twisting of the wrist

Recommendation:

Replace locking hardware with locking lever that does not require tight grasping, tight pinching or twisting of the wrist to operate.

Barrier Priority:

3 (Moderate): Should be completed as soon as possible, but there may be other items that will provide greater access to persons with disabilities. (Includes; Findings that have a high financial impact on the entity in relationship to the degree of access provided)

Department:

N/A

Estimated Remediation Date:

N/A

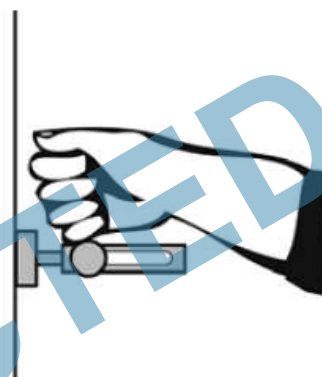
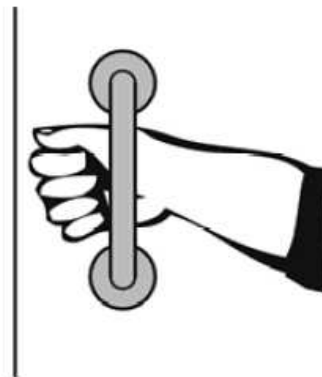
Notes:

N/A

Finding #164 Continued



Finding 299040 Main Photo



CORRECTED

2nd Floor, N. side, Mens Restrooms (Mezzanine Level)

Lat: 38.8308900000, Long: -104.8267000000

Finding: 165

Grab bars shall be provided on both sides of the compartment.

The side wall grab bar shall be 42 inches long minimum, located 12 inches maximum from the rear wall and extending 54 inches minimum from the rear wall.

2010 ADAS Section 604.8.2.3

Grab bars shall comply with 609. A side-wall grab bar complying with 604.5.1 shall be provided on both sides of the compartment.

Citation:

2010 ADAS Section: 604.8.2.3

As Built:

Grab bar missing
inside ambulatory stall

Recommendation:

Install 42 inch grab bar in a horizontal position 33 inches minimum and 36 inches maximum above the finished floor measured to the top of the gripping surface.

Barrier Priority:

3 (Moderate): Should be completed as soon as possible, but there may be other items that will provide greater access to persons with disabilities. (Includes; Findings that have a high financial impact on the entity in relationship to the degree of access provided)

Department:

N/A

Estimated Remediation Date:

N/A

Notes:

N/A

Finding #165 Continued



Finding 299464 Main Photo

CORRECTED

2nd Floor, N. side, Mens Restrooms (Mezzanine Level)

Lat: 38.8308900000, Long: -104.8267000000

Finding: 166

The compartment door is not self closing.

The water closet compartment shall be equipped with a door that has an automatic-closing device.

2010 ADAS Section 604.8.1.2

Toilet compartment doors, including door hardware, shall comply with 404 except that if the approach is to the latch side of the compartment door, clearance between the door side of the compartment and any obstruction shall be 42 inches (1065 mm) minimum. Doors shall be located in the front partition or in the side wall or partition farthest from the water closet. Where located in the front partition, the door opening shall be 4 inches (100 mm) maximum from the side wall or partition farthest from the water closet. Where located in the side wall or partition, the door opening shall be 4 inches (100 mm) maximum from the front partition. The door shall be self-closing. A door pull complying with 404.2.7 shall be placed on both sides of the door near the latch. Toilet compartment doors shall not swing into the minimum required compartment area.

Citation:

2010 ADAS Section: 604.8.1.2

As Built:

Ambulatory stall door
not self closing

Recommendation:

Adjust or install automatic closing hinges.

Barrier Priority:

3 (Moderate): Should be completed as soon as possible, but there may be other items that will provide greater access to persons with disabilities. (Includes; Findings that have a high financial impact on the entity in relationship to the degree of access provided)

Department:

N/A

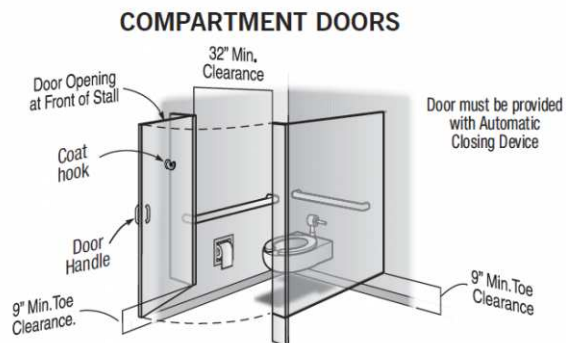
Estimated Remediation Date:

N/A

Notes:

N/A

Finding #166 Continued



Finding 299465 Main Photo

CORRECTED

2nd Floor, N. side, Mens Restrooms (Mezzanine Level)

Lat: 38.8308900000, Long: -104.8267000000

Finding: 167

The coat hook is installed greater than 48 inches above the finished floor.

Where a forward reach is unobstructed, the high forward reach shall be 48 inches maximum above the finished floor.

2010 ADAS Section 308.2.1

Where a forward reach is unobstructed, the high forward reach shall be 48 inches (1220 mm) maximum and the low forward reach shall be 15 inches (380 mm) minimum above the finish floor or ground.

Citation:

2010 ADAS Section: 308.2.1

As Built:

Ambulatory stall coat
hook at 65.5 inches
above finished floor

Recommendation:

Lower coat hook 20 inches minimum or install another coat hook not to exceed a maximum height of 48 inches above finished floor.

Barrier Priority:

3 (Moderate): Should be completed as soon as possible, but there may be other items that will provide greater access to persons with disabilities. (Includes; Findings that have a high financial impact on the entity in relationship to the degree of access provided)

Department:

N/A

Estimated Remediation Date:

N/A

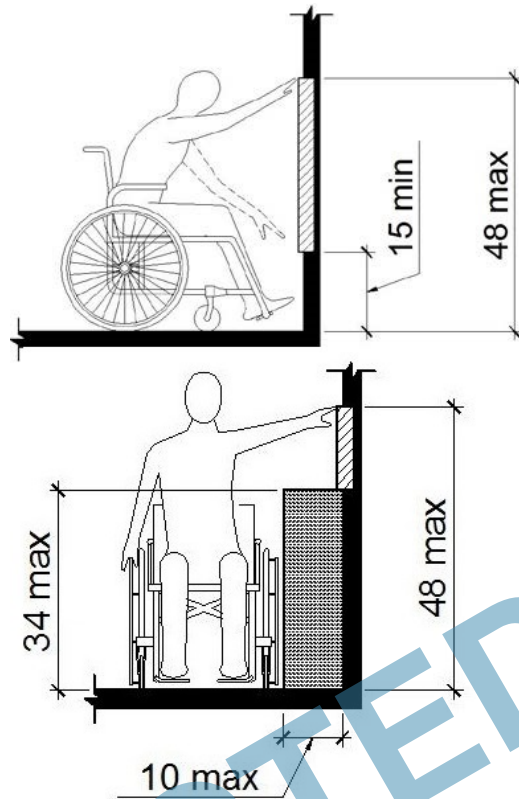
Notes:

N/A

Finding #167 Continued



Finding 299466 Main Photo



Considered
Unobstructed

CORRECTED

2nd Floor, N. side, Mens Restrooms (Mezzanine Level)

Lat: 38.8308900000, Long: -104.8267000000

Finding: 168

The water closet compartment door is missing a loop handle.

Water closet compartments must be equipped with a door that has a loop or U-shaped handle on both sides of the door immediately below the latch. The latch must be flip-over style, sliding or other hardware not requiring the user to grasp or twist.

2010 ADAS Section 604.8.1.2

Toilet compartment doors, including door hardware, shall comply with 404 except that if the approach is to the latch side of the compartment door, clearance between the door side of the compartment and any obstruction shall be 42 inches (1065 mm) minimum. Doors shall be located in the front partition or in the side wall or partition farthest from the water closet. Where located in the front partition, the door opening shall be 4 inches (100 mm) maximum from the side wall or partition farthest from the water closet. Where located in the side wall or partition, the door opening shall be 4 inches (100 mm) maximum from the front partition. The door shall be self-closing. A door pull complying with 404.2.7 shall be placed on both sides of the door near the latch. Toilet compartment doors shall not swing into the minimum required compartment area.

Citation:

2010 ADAS Section: 604.8.1.2

As Built:

Loop handles missing on ambulatory stall door

Recommendation:

Install loop or U-shaped handles on compartment door.

Barrier Priority:

3 (Moderate): Should be completed as soon as possible, but there may be other items that will provide greater access to persons with disabilities. (Includes; Findings that have a high financial impact on the entity in relationship to the degree of access provided)

Department:

N/A

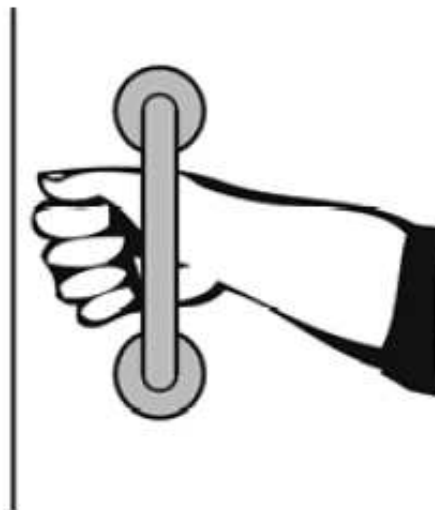
Estimated Remediation Date:

N/A

Notes:

N/A

Finding #168 Continued



Finding 299467 Main Photo

CORRECTED

2nd Floor, N. side, Mens Restrooms (Mezzanine Level)

Lat: 38.8308900000, Long: -104.8267000000

Finding: 169

The locking/latching hardware is not accessible.

Hand-activated door opening hardware, handles, pulls, latches, locks, and other operating devices on accessible doors shall have a shape that is easy to grasp with one hand and does not require tight grasping, tight pinching or twisting of the wrist to operate.

2010 ADAS Section 604.8.1.2

Toilet compartment doors, including door hardware, shall comply with 404 except that if the approach is to the latch side of the compartment door, clearance between the door side of the compartment and any obstruction shall be 42 inches (1065 mm) minimum. Doors shall be located in the front partition or in the side wall or partition farthest from the water closet. Where located in the front partition, the door opening shall be 4 inches (100 mm) maximum from the side wall or partition farthest from the water closet. Where located in the side wall or partition, the door opening shall be 4 inches (100 mm) maximum from the front partition. The door shall be self-closing. A door pull complying with 404.2.7 shall be placed on both sides of the door near the latch. Toilet compartment doors shall not swing into the minimum required compartment area.

Citation:

2010 ADAS Section: 604.8.1.2

As Built:

Ambulatory door lock requires tight grasping and twisting of the wrist

Recommendation:

Replace locking hardware with locking lever that does not require tight grasping, pinching or twisting of the wrist to operate.

Barrier Priority:

3 (Moderate): Should be completed as soon as possible, but there may be other items that will provide greater access to persons with disabilities. (Includes; Findings that have a high financial impact on the entity in relationship to the degree of access provided)

Department:

N/A

Estimated Remediation Date:

N/A

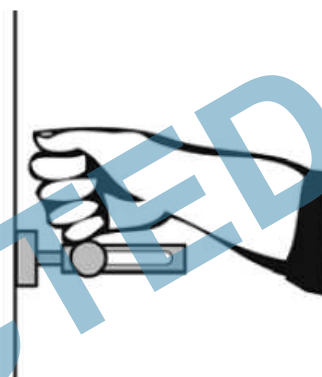
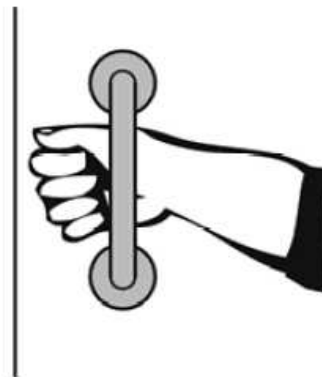
Notes:

N/A

Finding #169 Continued



Finding 299468 Main Photo



CORRECTED

2nd Floor, N. side, Mens Restrooms (Mezzanine Level)

Lat: 38.8308900000, Long: -104.8267000000

Finding: 170

The door to the ambulatory compartment swings into the minimum required compartment area.

Toilet compartment doors shall not swing into the minimum required compartment area.

2010 ADAS Section 604.8.2.2

Toilet compartment doors, including door hardware, shall comply with 404, except that if the approach is to the latch side of the compartment door, clearance between the door side of the compartment and any obstruction shall be 42 inches (1065 mm) minimum. The door shall be self-closing. A door pull complying with 404.2.7 shall be placed on both sides of the door near the latch. Toilet compartment doors shall not swing into the minimum required compartment area.

Citation:

2010 ADAS Section: 604.8.2.2

As Built:

Ambulatory stall door
swings inwards

Recommendation:

Reverse door swing.

Barrier Priority:

3 (Moderate): Should be completed as soon as possible, but there may be other items that will provide greater access to persons with disabilities. (Includes; Findings that have a high financial impact on the entity in relationship to the degree of access provided)

Department:

N/A

Estimated Remediation Date:

N/A

Notes:

N/A

Finding #170 Continued



Finding 299469 Main Photo

CORRECTED

2nd Floor, N. side, Mens Restrooms (Mezzanine Level)

Lat: 38.8308900000, Long: -104.8267000000

Finding: 171

The toilet paper is not installed within the compliant range.

Toilet paper dispensers shall be 7 inches minimum and 9 inches maximum in front of the water closet measured to the centerline of the dispenser. The outlet of the dispenser shall be 15 inches minimum and 48 inches maximum above the finish floor and shall not be located behind grab bars. Dispensers shall not be of a type that controls delivery or that does not allow continuous paper flow. There shall be a clearance of 1 1/2 inches minimum below the grab bar.

2010 ADAS Section 604.7

Toilet paper dispensers shall comply with 309.4 and shall be 7 inches (180 mm) minimum and 9 inches (230 mm) maximum in front of the water closet measured to the centerline of the dispenser. The outlet of the dispenser shall be 15 inches (380 mm) minimum and 48 inches (1220 mm) maximum above the finish floor and shall not be located behind grab bars. Dispensers shall not be of a type that controls delivery or that does not allow continuous paper flow.

Citation:

2010 ADAS Section: 604.7

As Built:

Ambulatory stall toilet
paper dispenser 5
inches in front of toilet

Recommendation:

Re-position toilet paper dispenser to be within 7 inches minimum to 9 inches maximum in front of the toilet measured to the centerline of the dispenser.

Barrier Priority:

3 (Moderate): Should be completed as soon as possible, but there may be other items that will provide greater access to persons with disabilities. (Includes; Findings that have a high financial impact on the entity in relationship to the degree of access provided)

Department:

N/A

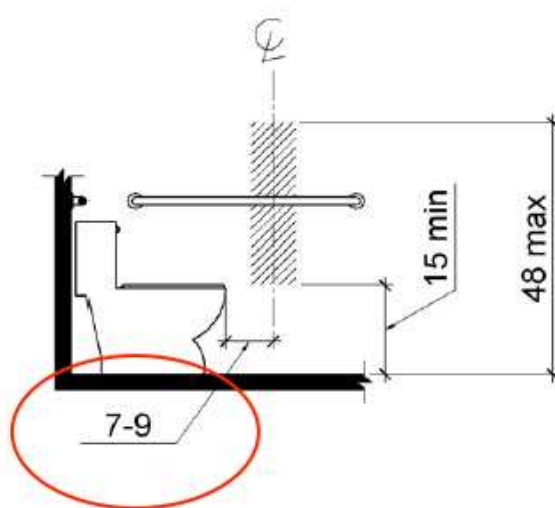
Estimated Remediation Date:

N/A

Notes:

N/A

Finding #171 Continued



Finding 299470 Main Photo

CORRECTED

2nd Floor, S. side (Mezzanine Level)

Lat: 38.8309600000, Long: -104.8266000000

Finding: 172

The drinking fountain is not accessible.

The spout is located 7 inches from the front edge of the unit (5 inches maximum).
Spout height is 37 inches above the finished floor (36 inches maximum).
The angle of water stream is non-compliant (15 or 30 degrees allowed)
Spout water flow is below the 4 inch high minimum.

2010 ADAS Section 602.2

Units shall have a clear floor or ground space complying with 305 positioned for a forward approach and centered on the unit. Knee and toe clearance complying with 306 shall be provided.

Citation:

2010 ADAS Section: 602.2

As Built:

Spout at 7 inches from front edge of unit

Recommendation:

Provide a hi-lo fountain unit to meet current ADA standards. Spout shall be 15 inches minimum from the vertical support and 5 inches maximum from the front edge of the unit, including bumpers. Spout outlets shall be 36 inches maximum above the finished floor or ground.

Barrier Priority:

4 (Low): Should be completed as soon as possible due to being a technical violation, but may not result in providing greater access to persons with disabilities. (Includes; Findings that are technically violations but provide a moderate to low increase in accessibility compared to the financial impact on the entity)

Department:

N/A

Estimated Remediation Date:

N/A

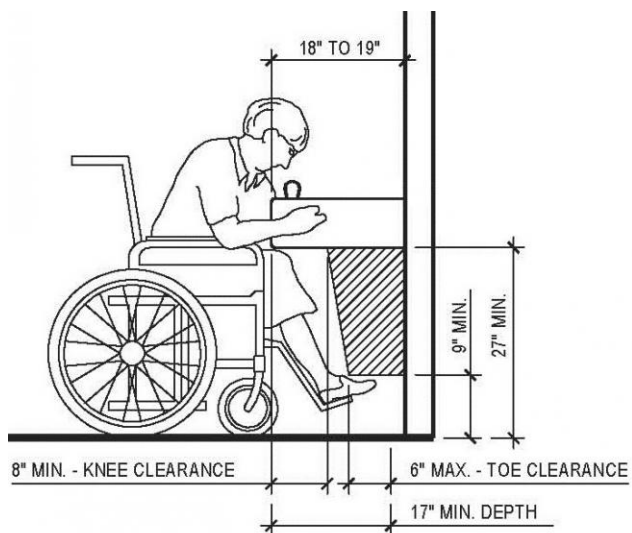
Notes:

N/A

Finding #172 Continued



Finding 17010 Main Photo



Finding #172 Additional Finding Photos



Finding 17010 Additional Photo



Finding 17010 Additional Photo



Finding 17010 Additional Photo



Finding 17010 Additional Photo

2nd Floor, S. side, Womens Restroom (Mezzanine Level)

Lat: 38.8308900000, Long: -104.8267000000

Finding: 173

The door to the ambulatory compartment swings into the minimum required compartment area.

Toilet compartment doors shall not swing into the minimum required compartment area.

2010 ADAS Section 604.8.2.2

Toilet compartment doors, including door hardware, shall comply with 404, except that if the approach is to the latch side of the compartment door, clearance between the door side of the compartment and any obstruction shall be 42 inches (1065 mm) minimum. The door shall be self-closing. A door pull complying with 404.2.7 shall be placed on both sides of the door near the latch. Toilet compartment doors shall not swing into the minimum required compartment area.

Citation:

2010 ADAS Section: 604.8.2.2

As Built:

Ambulatory stall door
swings inwards

Recommendation:

Reverse door swing.

Barrier Priority:

3 (Moderate): Should be completed as soon as possible, but there may be other items that will provide greater access to persons with disabilities. (Includes; Findings that have a high financial impact on the entity in relationship to the degree of access provided)

Department:

N/A

Estimated Remediation Date:

N/A

Notes:

N/A

Finding #173 Continued



Finding 299417 Main Photo

CORRECTED

Finding #173 Additional Finding Photos



Finding 299417 Additional Photo

CORRECTED

2nd Floor, S. side, Womens Restroom (Mezzanine Level)

Lat: 38.8308900000, Long: -104.8267000000

Finding: 174

The coat hook is installed greater than 48 inches above the finished floor.

Where a forward reach is unobstructed, the high forward reach shall be 48 inches maximum above the finished floor.

2010 ADAS Section 308.2.1

Where a forward reach is unobstructed, the high forward reach shall be 48 inches (1220 mm) maximum and the low forward reach shall be 15 inches (380 mm) minimum above the finish floor or ground.

Citation:

2010 ADAS Section: 308.2.1

As Built:

Ambulatory stall coat
hook at 60 inches
above finished floor

Recommendation:

Lower coat hook 12 inches minimum or install another coat hook not to exceed a maximum height of 48 inches above finished floor.

Barrier Priority:

3 (Moderate): Should be completed as soon as possible, but there may be other items that will provide greater access to persons with disabilities. (Includes; Findings that have a high financial impact on the entity in relationship to the degree of access provided)

Department:

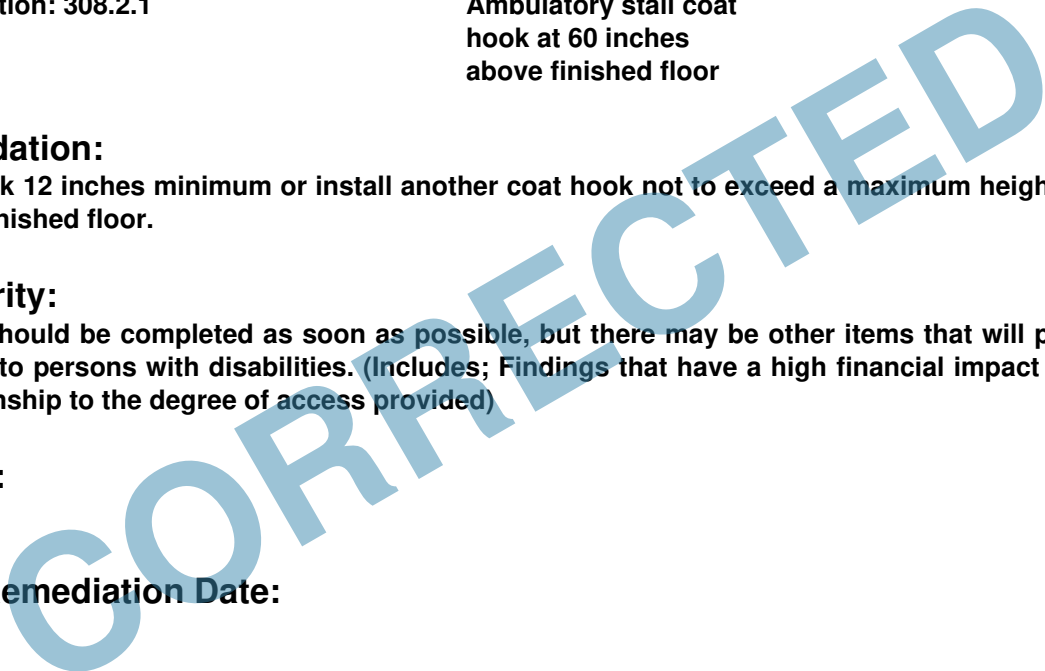
N/A

Estimated Remediation Date:

N/A

Notes:

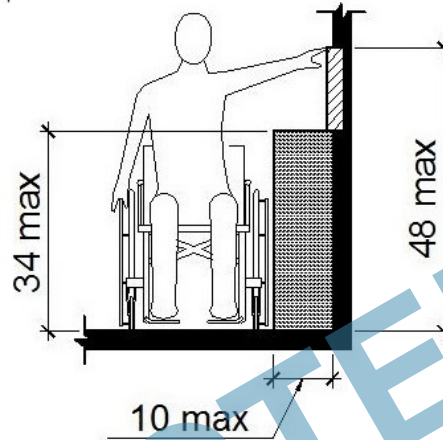
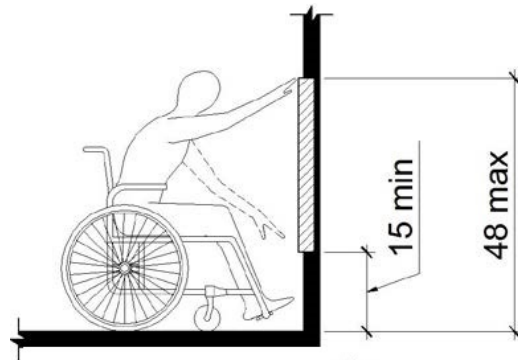
N/A



Finding #174 Continued



Finding 299420 Main Photo



Considered
Unobstructed

CORRECTED

Finding #174 Additional Finding Photos



Finding 299420 Additional Photo

CORRECTED

2nd Floor, S. side, Womens Restroom (Mezzanine Level)

Lat: 38.8308900000, Long: -104.8267000000

Finding: 175

Compliant room identification signs are missing.

Sign shall be located alongside the door at the latch side. Where a tactile sign is provided at double doors with one active leaf, the sign shall be located on the inactive leaf. Where a tactile sign is provided at double doors with two active leafs, the sign shall be located to the right of the right hand door. Where there is no wall space at the latch side of a single door or at the right side of double doors, signs shall be located on the nearest adjacent wall. Signs containing tactile characters shall be located so that a clear floor space of 18 inches minimum by 18 inches minimum, centered on the tactile characters, is provided beyond the arc of any door swing between the closed position and 45 degree open position.

Wall signs identifying permanent rooms and spaces of a building shall be in a horizontal format and the characters raised 1/32 inch minimum and shall be sans serif uppercase characters a minimum of 5/8 inch and a maximum of 2 inches high. Contracted Grade 2 Braille shall be in a horizontal format and shall be placed a minimum of 3/8 inch and a maximum of 1/2 inch directly below the tactile characters; flush left or centered. Dots shall be 1/10 inch on center in each cell with 2/10-inch space between cells, measured from the second column of dots in the first cell to the first column of dots in the second cell. Dots shall be raised a minimum of 1/40 inch above the background. Braille dots shall be domed or rounded. Signs with raised characters or Braille shall be located 48 inches minimum above the finish floor or ground surface, measured from the baseline of the lowest tactile character and 60 inches maximum above the finish floor or ground surface, measured from the baseline of the highest tactile character.

2010 ADAS Section 216.2

Interior and exterior signs identifying permanent rooms and spaces shall comply with 703.1, 703.2, and 703.5. Where pictograms are provided as designations of permanent interior rooms and spaces, the pictograms shall comply with 703.6 and shall have text descriptors complying with 703.2 and 703.5.

2010 ADAS Section 703.4.2

Where a tactile sign is provided at a door, the sign shall be located alongside the door at the latch side. Where a tactile sign is provided at double doors with one active leaf, the sign shall be located on the inactive leaf. Where a tactile sign is provided at double doors with two active leafs, the sign shall be located to the right of the right hand door. Where there is no wall space at the latch side of a single door or at the right side of double doors, signs shall be located on the nearest adjacent wall. Signs containing tactile characters shall be located so that a clear floor space of 18 inches (455 mm) minimum by 18 inches (455 mm) minimum, centered on the tactile characters, is provided beyond the arc of any door swing between the closed position and 45 degree open position.

Citation:

2010 ADAS Section: 216.2, 703.4.2

As Built:

Non compliant
restroom sign

Recommendation:

Place new sign alongside the door at the latch side or nearest adjacent wall. Braille characters shall

measured 48 inches minimum from the baseline of the lowest tactile character and 60 inches maximum above the finish floor or ground surface, measured from the baseline of the highest tactile character.

Barrier Priority:

3 (Moderate): Should be completed as soon as possible, but there may be other items that will provide greater access to persons with disabilities. (Includes; Findings that have a high financial impact on the entity in relationship to the degree of access provided)

Department:

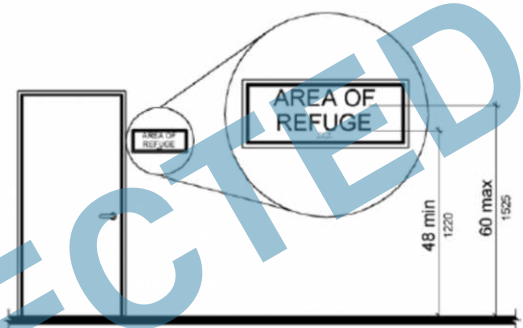
N/A

Estimated Remediation Date:

N/A

Notes:

N/A



Finding 299050 Main Photo

2nd Floor, S. side, Womens Restroom (Mezzanine Level)

Lat: 38.8308900000, Long: -104.8267000000

Finding: 176

The water closet compartment door is missing a loop handle on the outside.

Water closet compartments must be equipped with a door that has a loop or U-shaped handle on both sides of the door immediately below the latch. The latch must be flip-over style, sliding or other hardware not requiring the user to grasp or twist.

2010 ADAS Section 604.8.1.2

Toilet compartment doors, including door hardware, shall comply with 404 except that if the approach is to the latch side of the compartment door, clearance between the door side of the compartment and any obstruction shall be 42 inches (1065 mm) minimum. Doors shall be located in the front partition or in the side wall or partition farthest from the water closet. Where located in the front partition, the door opening shall be 4 inches (100 mm) maximum from the side wall or partition farthest from the water closet. Where located in the side wall or partition, the door opening shall be 4 inches (100 mm) maximum from the front partition. The door shall be self-closing. A door pull complying with 404.2.7 shall be placed on both sides of the door near the latch. Toilet compartment doors shall not swing into the minimum required compartment area.

Citation:

2010 ADAS Section: 604.8.1.2

As Built:

Missing loop handle
on outside of
compartment door

Recommendation:

Install loop or U-shaped handle on outside of compartment door.

Barrier Priority:

3 (Moderate): Should be completed as soon as possible, but there may be other items that will provide greater access to persons with disabilities. (Includes; Findings that have a high financial impact on the entity in relationship to the degree of access provided)

Department:

N/A

Estimated Remediation Date:

N/A

Notes:

N/A

Finding #176 Continued



Finding 299052 Main Photo

CORRECTED

2nd Floor, S. side, Womens Restroom (Mezzanine Level)

Lat: 38.8308900000, Long: -104.8267000000

Finding: 177

The compartment door is not self closing.

The water closet compartment shall be equipped with a door that has an automatic-closing device.

2010 ADAS Section 604.8.1.2

Toilet compartment doors, including door hardware, shall comply with 404 except that if the approach is to the latch side of the compartment door, clearance between the door side of the compartment and any obstruction shall be 42 inches (1065 mm) minimum. Doors shall be located in the front partition or in the side wall or partition farthest from the water closet. Where located in the front partition, the door opening shall be 4 inches (100 mm) maximum from the side wall or partition farthest from the water closet. Where located in the side wall or partition, the door opening shall be 4 inches (100 mm) maximum from the front partition. The door shall be self-closing. A door pull complying with 404.2.7 shall be placed on both sides of the door near the latch. Toilet compartment doors shall not swing into the minimum required compartment area.

Citation:

2010 ADAS Section: 604.8.1.2

As Built:

Compartment door not self-closing

Recommendation:

Adjust or install automatic closing hinges.

Barrier Priority:

3 (Moderate): Should be completed as soon as possible, but there may be other items that will provide greater access to persons with disabilities. (Includes; Findings that have a high financial impact on the entity in relationship to the degree of access provided)

Department:

N/A

Estimated Remediation Date:

N/A

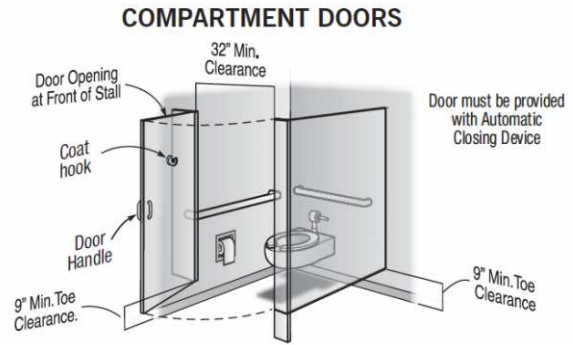
Notes:

N/A

Finding #177 Continued



Finding 299053 Main Photo



CORRECTED

2nd Floor, S. side, Womens Restroom (Mezzanine Level)

Lat: 38.8308900000, Long: -104.8267000000

Finding: 178

The coat hook is installed greater than 48 inches above the finished floor.

Where a forward reach is unobstructed, the high forward reach shall be 48 inches maximum above the finished floor.

2010 ADAS Section 308.2.1

Where a forward reach is unobstructed, the high forward reach shall be 48 inches (1220 mm) maximum and the low forward reach shall be 15 inches (380 mm) minimum above the finish floor or ground.

Citation:

2010 ADAS Section: 308.2.1

As Built:

60 inches above
finished floor

Recommendation:

Lower coat hook 13 inches minimum or install another coat hook. Not to exceed a maximum height of 48 inches above finished floor.

Barrier Priority:

3 (Moderate): Should be completed as soon as possible, but there may be other items that will provide greater access to persons with disabilities. (Includes; Findings that have a high financial impact on the entity in relationship to the degree of access provided)

Department:

N/A

Estimated Remediation Date:

N/A

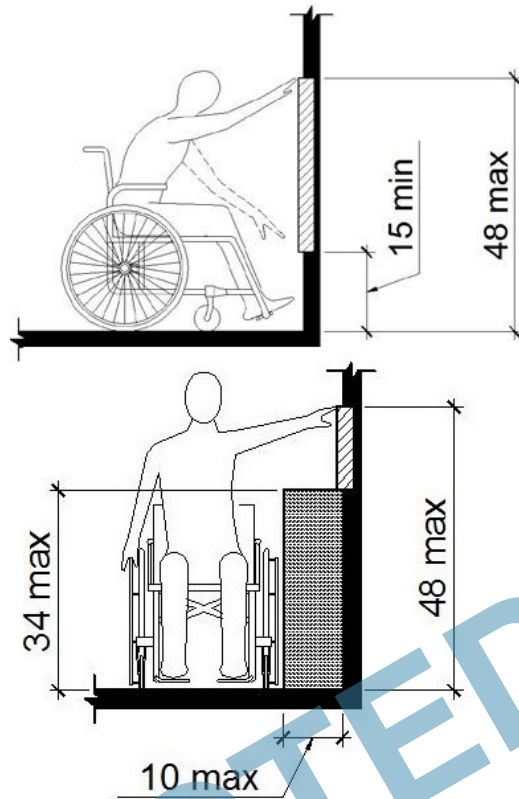
Notes:

N/A

Finding #178 Continued



Finding 299054 Main Photo



Considered
Unobstructed

CORRECTED

2nd Floor, S. side, Womens Restroom (Mezzanine Level)

Lat: 38.8308900000, Long: -104.8267000000

Finding: 179

The toilet compartment is not wide enough.

Wheelchair accessible compartments shall be 60 inches wide minimum measured perpendicular to the side wall, and 56 inches deep minimum for wall hung water closets and 59 inches deep minimum for floor mounted water closets measured perpendicular to the rear wall.

2010 ADAS Section 604.8.1.1

Wheelchair accessible compartments shall be 60 inches (1525 mm) wide minimum measured perpendicular to the side wall, and 56 inches (1420 mm) deep minimum for wall hung water closets and 59 inches (1500 mm) deep minimum for floor mounted water closets measured perpendicular to the rear wall. Wheelchair accessible compartments for children's use shall be 60 inches (1525 mm) wide minimum measured perpendicular to the side wall, and 59 inches (1500 mm) deep minimum for wall hung and floor mounted water closets measured perpendicular to the rear wall.

Citation:

2010 ADAS Section: 604.8.1.1

As Built:

59 inches in width

Recommendation:

Adjust side partition to provide an additional inch of clearance.

Barrier Priority:

3 (Moderate): Should be completed as soon as possible, but there may be other items that will provide greater access to persons with disabilities. (Includes; Findings that have a high financial impact on the entity in relationship to the degree of access provided)

Department:

N/A

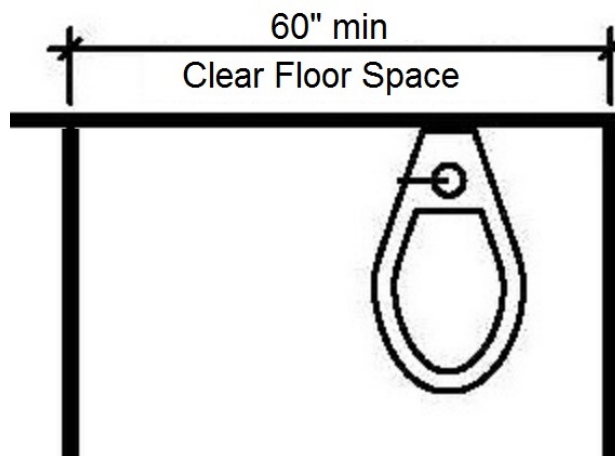
Estimated Remediation Date:

N/A

Notes:

N/A

Finding #179 Continued



Finding 299055 Main Photo

CORRECTED

Finding #179 Additional Finding Photos



Finding 299055 Additional Photo

CORRECTED

2nd Floor, S. side, Womens Restroom (Mezzanine Level)

Lat: 38.8308900000, Long: -104.8267000000

Finding: 180

The toilet is not located within the range allowed from the side wall or partition.

The centerline of the toilet must be 16 to 18 inches from the side wall.

2010 ADAS Section 604.2

The water closet shall be positioned with a wall or partition to the rear and to one side. The centerline of the water closet shall be 16 inches (405 mm) minimum to 18 inches (455 mm) maximum from the side wall or partition, except that the water closet shall be 17 inches (430 mm) minimum and 19 inches (485 mm) maximum from the side wall or partition in the ambulatory accessible toilet compartment specified in 604.8.2. Water closets shall be arranged for a left-hand or right-hand approach.

Citation:

2010 ADAS Section: 604.2

As Built:

18.5 inches to
centerline of toilet
from side wall

Recommendation:

Re-position toilet between 16 inches minimum and 18 inches maximum from centerline of toilet to side wall. May require plumbing alteration.

Barrier Priority:

3 (Moderate): Should be completed as soon as possible, but there may be other items that will provide greater access to persons with disabilities. (Includes; Findings that have a high financial impact on the entity in relationship to the degree of access provided)

Department:

N/A

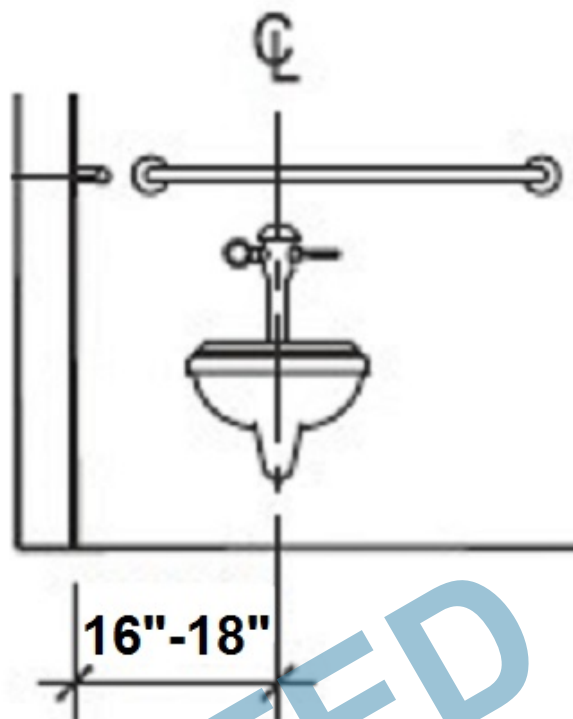
Estimated Remediation Date:

N/A

Notes:

N/A

Finding #180 Continued



Finding 299056 Main Photo

CORRECTED

2nd Floor, S. side, Womens Restroom (Mezzanine Level)

Lat: 38.8308900000, Long: -104.8267000000

Finding: 181

The paper towel dispenser's operation mechanism is too high off the floor.

Dispensers must have all operable parts a maximum of 48 inches above the floor.

2010 ADAS Section 308.2.1

Where a forward reach is unobstructed, the high forward reach shall be 48 inches (1220 mm) maximum and the low forward reach shall be 15 inches (380 mm) minimum above the finish floor or ground.

Citation:

2010 ADAS Section: 308.2.1

As Built:

Operable part at 55.5 inches above finished floor

Recommendation:

Lower paper towel dispenser 7 inches to meet compliance. 48 inches maximum height above finished floor for operable parts (knob).

Barrier Priority:

3 (Moderate): Should be completed as soon as possible, but there may be other items that will provide greater access to persons with disabilities. (Includes; Findings that have a high financial impact on the entity in relationship to the degree of access provided)

Department:

N/A

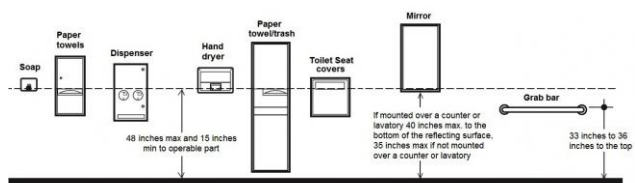
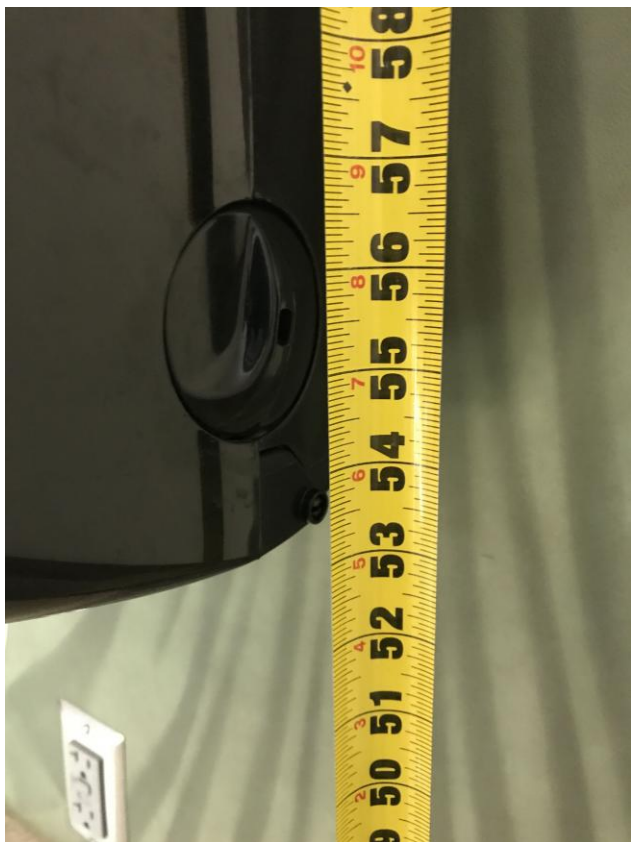
Estimated Remediation Date:

N/A

Notes:

N/A

Finding #181 Continued



Finding 299057 Main Photo

CORRECTED

2nd Floor, S. side, Womens Restroom (Mezzanine Level)

Lat: 38.8308900000, Long: -104.8267000000

Finding: 182

The water closet compartment door is missing a loop handle on the outside.

Water closet compartments must be equipped with a door that has a loop or U-shaped handle on both sides of the door immediately below the latch. The latch must be flip-over style, sliding or other hardware not requiring the user to grasp or twist.

2010 ADAS Section 604.8.1.2

Toilet compartment doors, including door hardware, shall comply with 404 except that if the approach is to the latch side of the compartment door, clearance between the door side of the compartment and any obstruction shall be 42 inches (1065 mm) minimum. Doors shall be located in the front partition or in the side wall or partition farthest from the water closet. Where located in the front partition, the door opening shall be 4 inches (100 mm) maximum from the side wall or partition farthest from the water closet. Where located in the side wall or partition, the door opening shall be 4 inches (100 mm) maximum from the front partition. The door shall be self-closing. A door pull complying with 404.2.7 shall be placed on both sides of the door near the latch. Toilet compartment doors shall not swing into the minimum required compartment area.

Citation:

2010 ADAS Section: 604.8.1.2

As Built:

Outside loop handle missing on ambulatory stall door

Recommendation:

Install loop or U-shaped handle on outside of compartment door.

Barrier Priority:

3 (Moderate): Should be completed as soon as possible, but there may be other items that will provide greater access to persons with disabilities. (Includes; Findings that have a high financial impact on the entity in relationship to the degree of access provided)

Department:

N/A

Estimated Remediation Date:

N/A

Notes:

N/A

Finding #182 Continued



Finding 299418 Main Photo

CORRECTED

2nd Floor, S. side, Womens Restroom (Mezzanine Level)

Lat: 38.8308900000, Long: -104.8267000000

Finding: 183

Grab bars shall be provided on both sides of the compartment.

The side wall grab bar shall be 42 inches long minimum, located 12 inches maximum from the rear wall and extending 54 inches minimum from the rear wall.

2010 ADAS Section 604.8.2.3

Grab bars shall comply with 609. A side-wall grab bar complying with 604.5.1 shall be provided on both sides of the compartment.

Citation:

2010 ADAS Section: 604.8.2.3

As Built:

Grab bar missing
inside ambulatory stall

Recommendation:

Install 42 inch grab bar in a horizontal position 33 inches minimum and 36 inches maximum above the finished floor measured to the top of the gripping surface.

Barrier Priority:

3 (Moderate): Should be completed as soon as possible, but there may be other items that will provide greater access to persons with disabilities. (Includes; Findings that have a high financial impact on the entity in relationship to the degree of access provided)

Department:

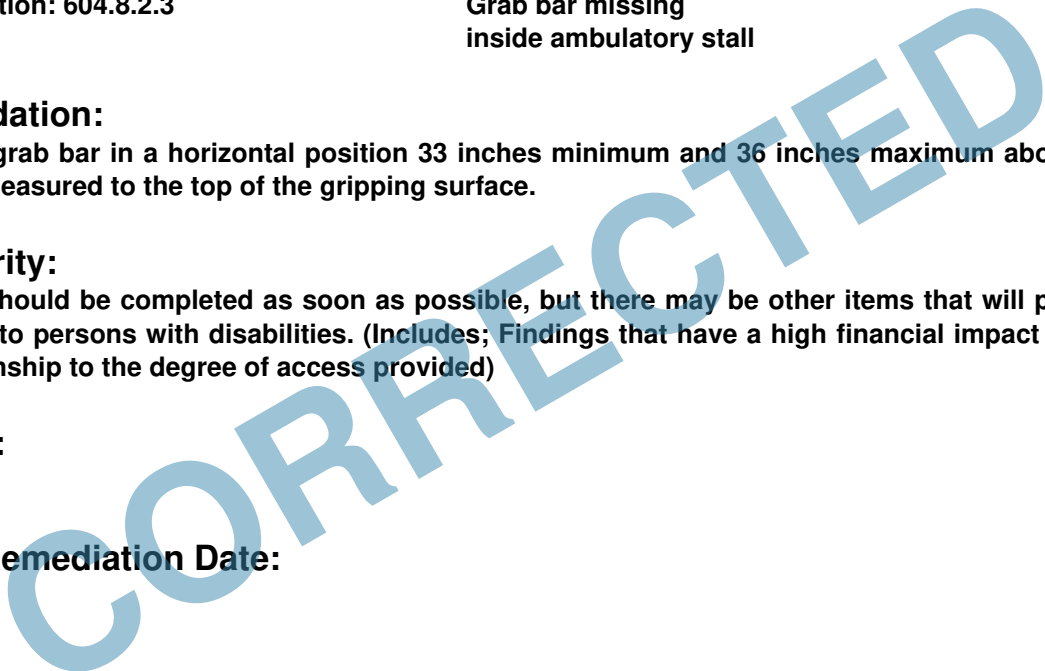
N/A

Estimated Remediation Date:

N/A

Notes:

N/A



Finding #183 Continued



Finding 299419 Main Photo

CORRECTED

2nd Floor, S. side, Womens Restroom (Mezzanine Level)

Lat: 38.8308900000, Long: -104.8267000000

Finding: 184

The toilet paper is not installed within the compliant range.

Toilet paper dispensers shall be 7 inches minimum and 9 inches maximum in front of the water closet measured to the centerline of the dispenser. The outlet of the dispenser shall be 15 inches minimum and 48 inches maximum above the finish floor and shall not be located behind grab bars. Dispensers shall not be of a type that controls delivery or that does not allow continuous paper flow. There shall be a clearance of 1 1/2 inches minimum below the grab bar.

2010 ADAS Section 604.7

Toilet paper dispensers shall comply with 309.4 and shall be 7 inches (180 mm) minimum and 9 inches (230 mm) maximum in front of the water closet measured to the centerline of the dispenser. The outlet of the dispenser shall be 15 inches (380 mm) minimum and 48 inches (1220 mm) maximum above the finish floor and shall not be located behind grab bars. Dispensers shall not be of a type that controls delivery or that does not allow continuous paper flow.

Citation:

2010 ADAS Section: 604.7

As Built:

Ambulatory stall toilet
paper dispenser 3
inches in front of toilet

Recommendation:

Re-position toilet paper dispenser to be within 7 inches minimum to 9 inches maximum in front of the toilet measured to the centerline of the dispenser.

Barrier Priority:

3 (Moderate): Should be completed as soon as possible, but there may be other items that will provide greater access to persons with disabilities. (Includes; Findings that have a high financial impact on the entity in relationship to the degree of access provided)

Department:

N/A

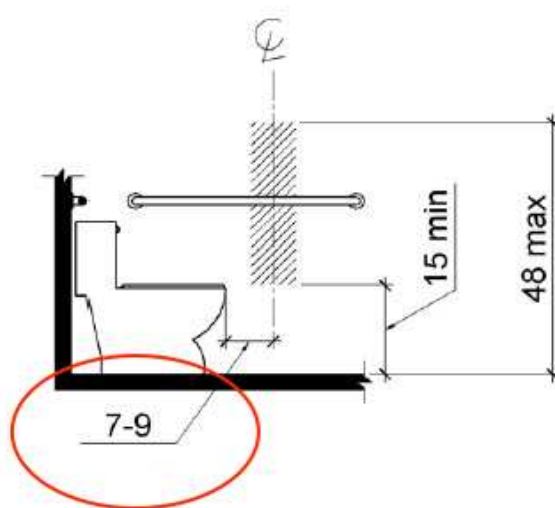
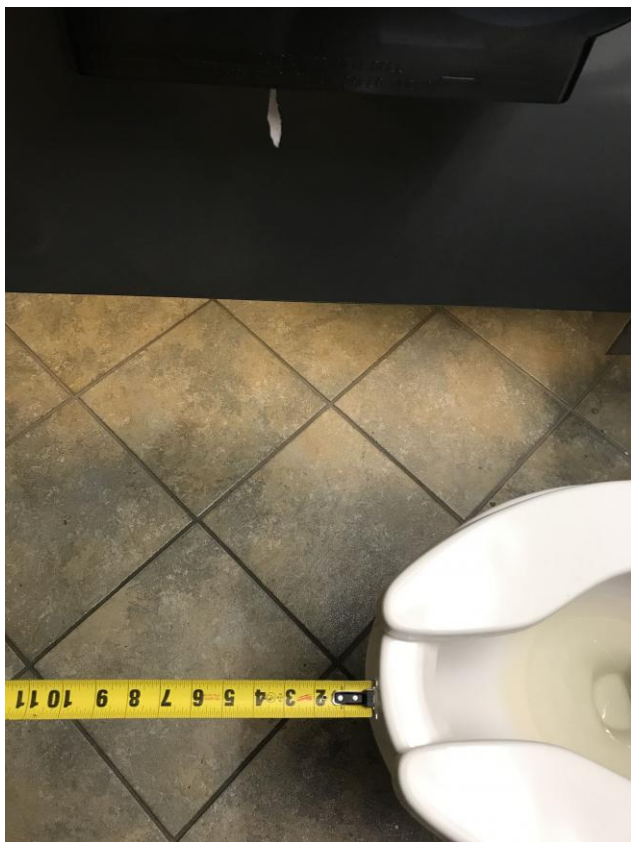
Estimated Remediation Date:

N/A

Notes:

N/A

Finding #184 Continued



Finding 299421 Main Photo

CORRECTED

2nd Floor, S. side, Womens Restroom (Mezzanine Level)

Lat: 38.8308900000, Long: -104.8267000000

Finding: 185

The compartment door is not self closing.

The water closet compartment shall be equipped with a door that has an automatic-closing device.

2010 ADAS Section 604.8.1.2

Toilet compartment doors, including door hardware, shall comply with 404 except that if the approach is to the latch side of the compartment door, clearance between the door side of the compartment and any obstruction shall be 42 inches (1065 mm) minimum. Doors shall be located in the front partition or in the side wall or partition farthest from the water closet. Where located in the front partition, the door opening shall be 4 inches (100 mm) maximum from the side wall or partition farthest from the water closet. Where located in the side wall or partition, the door opening shall be 4 inches (100 mm) maximum from the front partition. The door shall be self-closing. A door pull complying with 404.2.7 shall be placed on both sides of the door near the latch. Toilet compartment doors shall not swing into the minimum required compartment area.

Citation:

2010 ADAS Section: 604.8.1.2

As Built:

Ambulatory stall door
not self closing

Recommendation:

Adjust or install automatic closing hinges.

Barrier Priority:

3 (Moderate): Should be completed as soon as possible, but there may be other items that will provide greater access to persons with disabilities. (Includes; Findings that have a high financial impact on the entity in relationship to the degree of access provided)

Department:

N/A

Estimated Remediation Date:

N/A

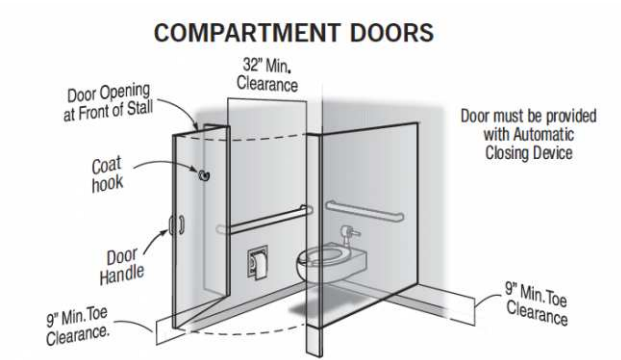
Notes:

N/A

Finding #185 Continued



Finding 299422 Main Photo



CORRECTED

2nd Floor, S. side, Mens Restroom (Mezzanine Level)

Lat: 38.8308900000, Long: -104.8267000000

Finding: 186

Compliant room identification signs are missing.

Sign shall be located alongside the door at the latch side. Where a tactile sign is provided at double doors with one active leaf, the sign shall be located on the inactive leaf. Where a tactile sign is provided at double doors with two active leafs, the sign shall be located to the right of the right hand door. Where there is no wall space at the latch side of a single door or at the right side of double doors, signs shall be located on the nearest adjacent wall. Signs containing tactile characters shall be located so that a clear floor space of 18 inches minimum by 18 inches minimum, centered on the tactile characters, is provided beyond the arc of any door swing between the closed position and 45 degree open position.

Wall signs identifying permanent rooms and spaces of a building shall be in a horizontal format and the characters raised 1/32 inch minimum and shall be sans serif uppercase characters a minimum of 5/8 inch and a maximum of 2 inches high. Contracted Grade 2 Braille shall be in a horizontal format and shall be placed a minimum of 3/8 inch and a maximum of 1/2 inch directly below the tactile characters; flush left or centered. Dots shall be 1/10 inch on center in each cell with 2/10-inch space between cells, measured from the second column of dots in the first cell to the first column of dots in the second cell. Dots shall be raised a minimum of 1/40 inch above the background. Braille dots shall be domed or rounded. Signs with raised characters or Braille shall be located 48 inches minimum above the finish floor or ground surface, measured from the baseline of the lowest tactile character and 60 inches maximum above the finish floor or ground surface, measured from the baseline of the highest tactile character.

2010 ADAS Section 216.2

Interior and exterior signs identifying permanent rooms and spaces shall comply with 703.1, 703.2, and 703.5. Where pictograms are provided as designations of permanent interior rooms and spaces, the pictograms shall comply with 703.6 and shall have text descriptors complying with 703.2 and 703.5.

2010 ADAS Section 703.4.2

Where a tactile sign is provided at a door, the sign shall be located alongside the door at the latch side. Where a tactile sign is provided at double doors with one active leaf, the sign shall be located on the inactive leaf. Where a tactile sign is provided at double doors with two active leafs, the sign shall be located to the right of the right hand door. Where there is no wall space at the latch side of a single door or at the right side of double doors, signs shall be located on the nearest adjacent wall. Signs containing tactile characters shall be located so that a clear floor space of 18 inches (455 mm) minimum by 18 inches (455 mm) minimum, centered on the tactile characters, is provided beyond the arc of any door swing between the closed position and 45 degree open position.

Citation:

2010 ADAS Section: 216.2, 703.4.2

As Built:

Non compliant
restroom sign

Recommendation:

Place new sign alongside the door at the latch side or nearest adjacent wall. Braille characters shall

measured 48 inches minimum from the baseline of the lowest tactile character and 60 inches maximum above the finish floor or ground surface, measured from the baseline of the highest tactile character.

Barrier Priority:

3 (Moderate): Should be completed as soon as possible, but there may be other items that will provide greater access to persons with disabilities. (Includes; Findings that have a high financial impact on the entity in relationship to the degree of access provided)

Department:

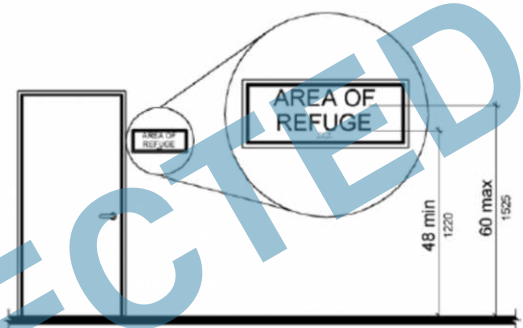
N/A

Estimated Remediation Date:

N/A

Notes:

N/A



Finding 299058 Main Photo

2nd Floor, S. side, Mens Restroom (Mezzanine Level)

Lat: 38.8308900000, Long: -104.8267000000

Finding: 187

There is an obstruction within 42 inches of the door.

When the approach to the door is on the latch or hinge side of the compartment door, clearance between the door side of the compartment and any obstruction shall be 42 inches minimum.

2010 ADAS Section 604.8.1.2

Toilet compartment doors, including door hardware, shall comply with 404 except that if the approach is to the latch side of the compartment door, clearance between the door side of the compartment and any obstruction shall be 42 inches (1065 mm) minimum. Doors shall be located in the front partition or in the side wall or partition farthest from the water closet. Where located in the front partition, the door opening shall be 4 inches (100 mm) maximum from the side wall or partition farthest from the water closet. Where located in the side wall or partition, the door opening shall be 4 inches (100 mm) maximum from the front partition. The door shall be self-closing. A door pull complying with 404.2.7 shall be placed on both sides of the door near the latch. Toilet compartment doors shall not swing into the minimum required compartment area.

Citation:

2010 ADAS Section: 604.8.1.2

As Built:

Clearance between the door side and wall only 39.75 inches

Recommendation:

Providing the minimum required width clearance to the restroom is technically infeasible at this time because existing structural conditions would require removing or altering a load-bearing member that is an essential part of the structural frame; or because other existing physical or site constraints prohibit modification or addition of elements, spaces, or features that are in full and strict compliance with the minimum requirements. Best practice measures are recommended to ensure restroom is accessible to the maximum extent feasible. Would recommend updating restroom when feasible or during alteration or new construction to meet current ADA standards.

Barrier Priority:

3 (Moderate): Should be completed as soon as possible, but there may be other items that will provide greater access to persons with disabilities. (Includes; Findings that have a high financial impact on the entity in relationship to the degree of access provided)

Department:

N/A

Estimated Remediation Date:

N/A

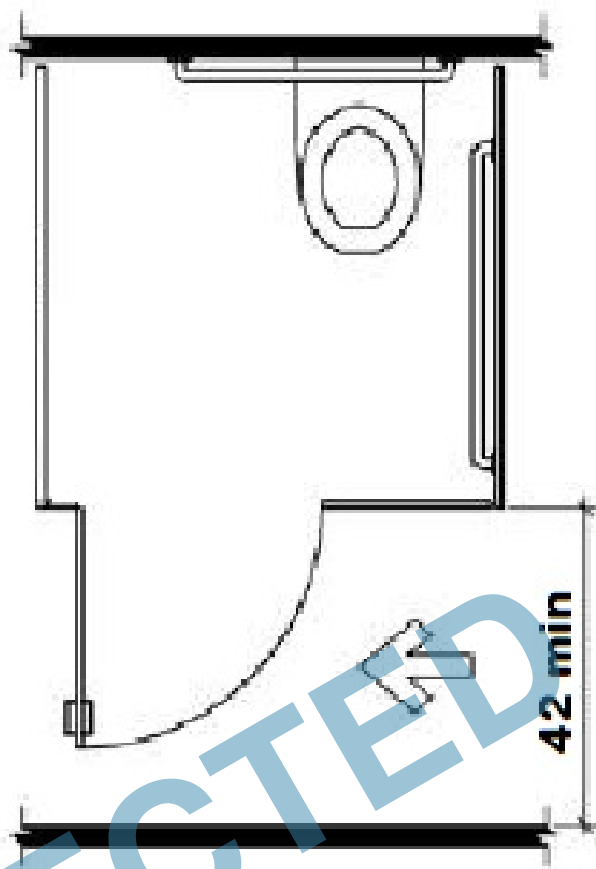
Notes:

N/A

Finding #187 Continued



Finding 299060 Main Photo



Finding #187 Additional Finding Photos



Finding 299060 Additional Photo

CORRECTED

2nd Floor, S. side, Mens Restroom (Mezzanine Level)

Lat: 38.8309600000, Long: -104.8266000000

Finding: 188

The water closet compartment door is missing a loop handle.

Water closet compartments must be equipped with a door that has a loop or U-shaped handle on both sides of the door immediately below the latch. The latch must be flip-over style, sliding or other hardware not requiring the user to grasp or twist.

2010 ADAS Section 604.8.1.2

Toilet compartment doors, including door hardware, shall comply with 404 except that if the approach is to the latch side of the compartment door, clearance between the door side of the compartment and any obstruction shall be 42 inches (1065 mm) minimum. Doors shall be located in the front partition or in the side wall or partition farthest from the water closet. Where located in the front partition, the door opening shall be 4 inches (100 mm) maximum from the side wall or partition farthest from the water closet. Where located in the side wall or partition, the door opening shall be 4 inches (100 mm) maximum from the front partition. The door shall be self-closing. A door pull complying with 404.2.7 shall be placed on both sides of the door near the latch. Toilet compartment doors shall not swing into the minimum required compartment area.

Citation:

2010 ADAS Section: 604.8.1.2

As Built:

Outer door handle missing.

Recommendation:

Install loop or U-shaped handle on outside of compartment door.

Barrier Priority:

3 (Moderate): Should be completed as soon as possible, but there may be other items that will provide greater access to persons with disabilities. (Includes; Findings that have a high financial impact on the entity in relationship to the degree of access provided)

Department:

N/A

Estimated Remediation Date:

N/A

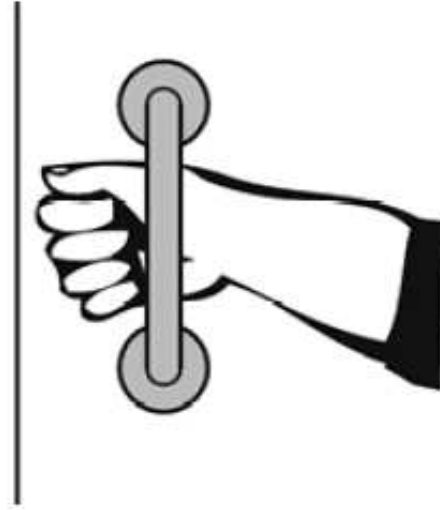
Notes:

N/A

Finding #188 Continued



Finding 17161 Main Photo



CORRECTED

Finding #188 Additional Finding Photos



Finding 17161 Additional Photo

CORRECTED

2nd Floor, S. side, Mens Restroom (Mezzanine Level)

Lat: 38.8309600000, Long: -104.8266000000

Finding: 189

The coat hook is installed greater than 48 inches above the finished floor.

Where a forward reach is unobstructed, the high forward reach shall be 48 inches maximum above the finished floor.

2010 ADAS Section 308.2.1

Where a forward reach is unobstructed, the high forward reach shall be 48 inches (1220 mm) maximum and the low forward reach shall be 15 inches (380 mm) minimum above the finish floor or ground.

Citation:

2010 ADAS Section: 308.2.1

As Built:

60 inches above finished floor

Recommendation:

Lower coat hook 14 inches minimum or install another coat hook. Not to exceed a maximum height of 48 inches above finished floor.

Barrier Priority:

3 (Moderate): Should be completed as soon as possible, but there may be other items that will provide greater access to persons with disabilities. (Includes; Findings that have a high financial impact on the entity in relationship to the degree of access provided)

Department:

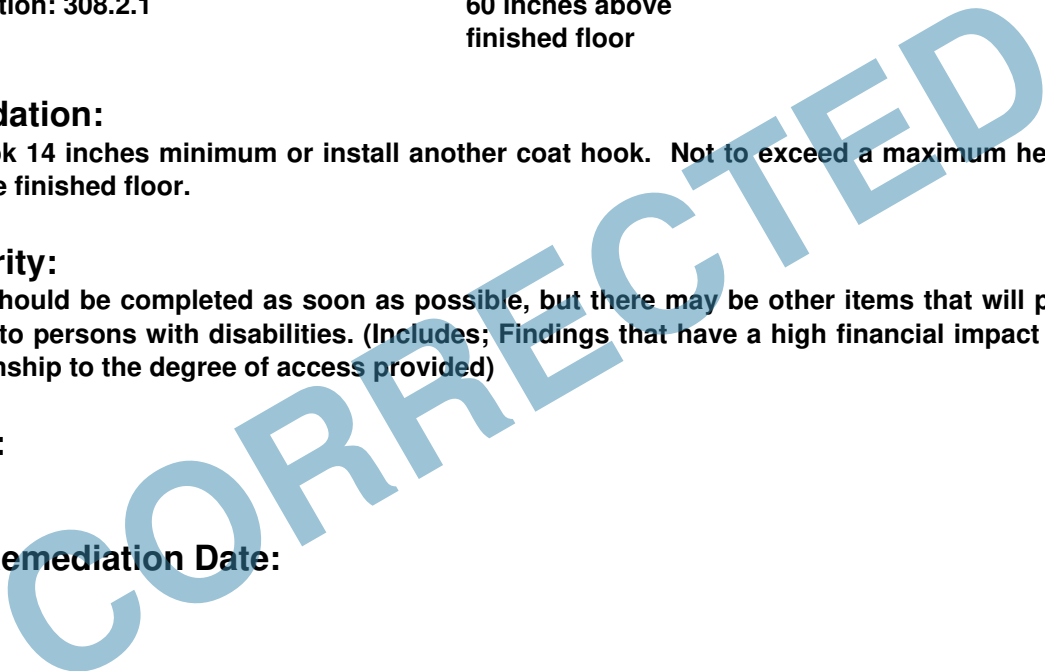
N/A

Estimated Remediation Date:

N/A

Notes:

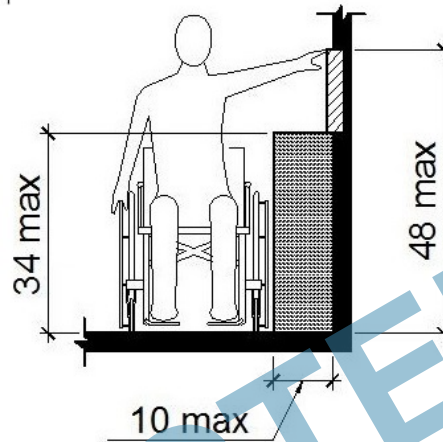
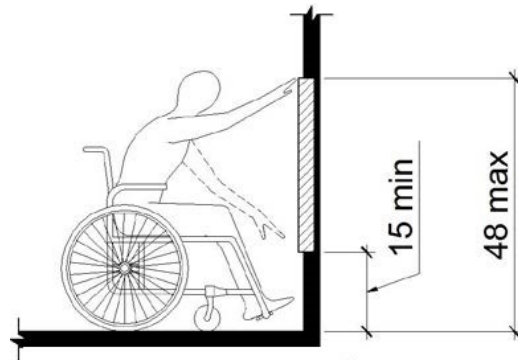
N/A



Finding #189 Continued



Finding 17152 Main Photo



Considered
Unobstructed

CORRECTED

Finding #189 Additional Finding Photos



Finding 17152 Additional Photo

CORRECTED

2nd Floor, S. side, Mens Restroom (Mezzanine Level)

Lat: 38.8309600000, Long: -104.8266000000

Finding: 190

The paper towel dispenser's operation mechanism is too high off the floor.

Dispensers must have all operable parts a maximum of 48 inches above the floor.

2010 ADAS Section 308.2.1

Where a forward reach is unobstructed, the high forward reach shall be 48 inches (1220 mm) maximum and the low forward reach shall be 15 inches (380 mm) minimum above the finish floor or ground.

Citation:

2010 ADAS Section: 308.2.1

As Built:

55 inches above finished floor

Recommendation:

Lower paper towel dispenser 8 inches to meet compliance. 48 inches maximum height above finished floor for operable parts (sensor).

Barrier Priority:

3 (Moderate): Should be completed as soon as possible, but there may be other items that will provide greater access to persons with disabilities. (Includes; Findings that have a high financial impact on the entity in relationship to the degree of access provided)

Department:

N/A

Estimated Remediation Date:

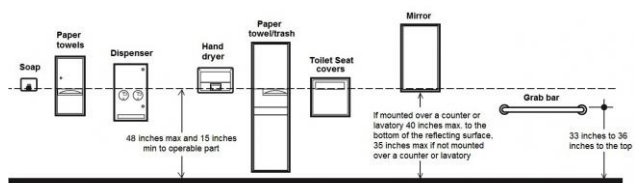
N/A

Notes:

N/A

CORRECTED

Finding #190 Continued



Finding 17154 Main Photo

CORRECTED

Finding #190 Additional Finding Photos



Finding 17154 Additional Photo

CORRECTED

2nd Floor, S. side, Mens Restroom (Mezzanine Level)

Lat: 38.8309600000, Long: -104.8266000000

Finding: 191

The compartment door is not self closing.

The water closet compartment shall be equipped with a door that has an automatic-closing device.

2010 ADAS Section 604.8.1.2

Toilet compartment doors, including door hardware, shall comply with 404 except that if the approach is to the latch side of the compartment door, clearance between the door side of the compartment and any obstruction shall be 42 inches (1065 mm) minimum. Doors shall be located in the front partition or in the side wall or partition farthest from the water closet. Where located in the front partition, the door opening shall be 4 inches (100 mm) maximum from the side wall or partition farthest from the water closet. Where located in the side wall or partition, the door opening shall be 4 inches (100 mm) maximum from the front partition. The door shall be self-closing. A door pull complying with 404.2.7 shall be placed on both sides of the door near the latch. Toilet compartment doors shall not swing into the minimum required compartment area.

Citation:

2010 ADAS Section: 604.8.1.2

As Built:

Compartment door not self closing

Recommendation:

Adjust or install automatic closing hinges.

Barrier Priority:

3 (Moderate): Should be completed as soon as possible, but there may be other items that will provide greater access to persons with disabilities. (Includes; Findings that have a high financial impact on the entity in relationship to the degree of access provided)

Department:

N/A

Estimated Remediation Date:

N/A

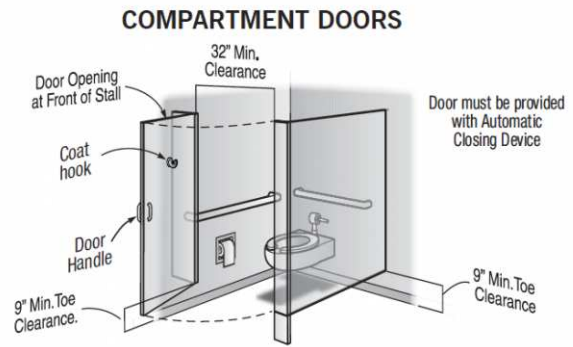
Notes:

N/A

Finding #191 Continued



Finding 17159 Main Photo



CORRECTED

Finding #191 Additional Finding Photos



Finding 17159 Additional Photo

CORRECTED

2nd Floor, S. side, Mens Restroom (Mezzanine Level)

Lat: 38.8308900000, Long: -104.8267000000

Finding: 192

Grab bars shall be provided on both sides of the compartment.

The side wall grab bar shall be 42 inches long minimum, located 12 inches maximum from the rear wall and extending 54 inches minimum from the rear wall.

2010 ADAS Section 604.8.2.3

Grab bars shall comply with 609. A side-wall grab bar complying with 604.5.1 shall be provided on both sides of the compartment.

Citation:

2010 ADAS Section: 604.8.2.3

As Built:

Grab bar missing
inside ambulatory stall

Recommendation:

Install 42 inch grab bar in a horizontal position 33 inches minimum and 36 inches maximum above the finished floor measured to the top of the gripping surface.

Barrier Priority:

3 (Moderate): Should be completed as soon as possible, but there may be other items that will provide greater access to persons with disabilities. (Includes; Findings that have a high financial impact on the entity in relationship to the degree of access provided)

Department:

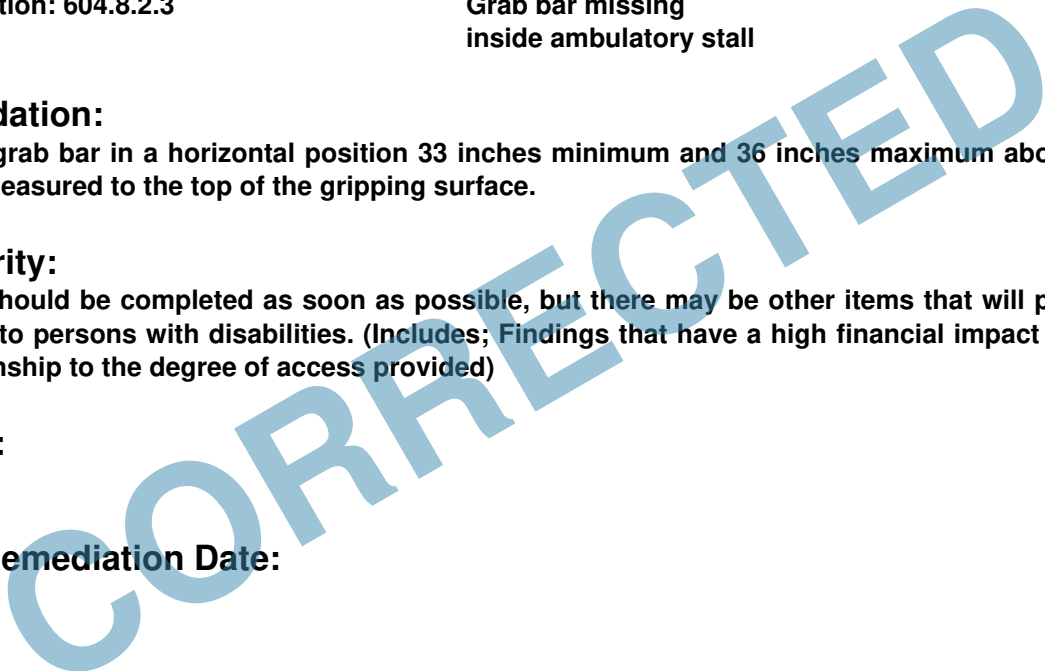
N/A

Estimated Remediation Date:

N/A

Notes:

N/A



Finding #192 Continued



Finding 299450 Main Photo

CORRECTED

2nd Floor, S. side, Mens Restroom (Mezzanine Level)

Lat: 38.8308900000, Long: -104.8267000000

Finding: 193

The compartment door is not self closing.

The water closet compartment shall be equipped with a door that has an automatic-closing device.

2010 ADAS Section 604.8.1.2

Toilet compartment doors, including door hardware, shall comply with 404 except that if the approach is to the latch side of the compartment door, clearance between the door side of the compartment and any obstruction shall be 42 inches (1065 mm) minimum. Doors shall be located in the front partition or in the side wall or partition farthest from the water closet. Where located in the front partition, the door opening shall be 4 inches (100 mm) maximum from the side wall or partition farthest from the water closet. Where located in the side wall or partition, the door opening shall be 4 inches (100 mm) maximum from the front partition. The door shall be self-closing. A door pull complying with 404.2.7 shall be placed on both sides of the door near the latch. Toilet compartment doors shall not swing into the minimum required compartment area.

Citation:

2010 ADAS Section: 604.8.1.2

As Built:

Ambulatory stall door
not self closing

Recommendation:

Adjust or install automatic closing hinges.

Barrier Priority:

3 (Moderate): Should be completed as soon as possible, but there may be other items that will provide greater access to persons with disabilities. (Includes; Findings that have a high financial impact on the entity in relationship to the degree of access provided)

Department:

N/A

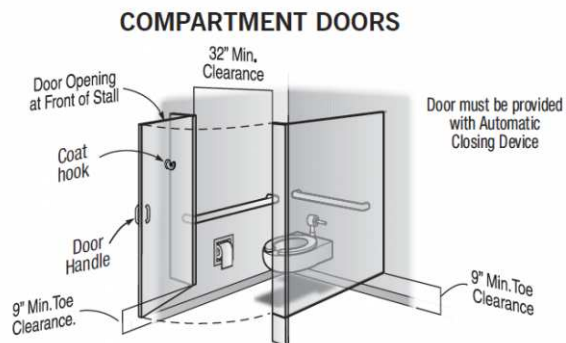
Estimated Remediation Date:

N/A

Notes:

N/A

Finding #193 Continued



Finding 299451 Main Photo

CORRECTED

2nd Floor, S. side, Mens Restroom (Mezzanine Level)

Lat: 38.8308900000, Long: -104.8267000000

Finding: 194

The coat hook is installed greater than 48 inches above the finished floor.

Where a forward reach is unobstructed, the high forward reach shall be 48 inches maximum above the finished floor.

2010 ADAS Section 308.2.1

Where a forward reach is unobstructed, the high forward reach shall be 48 inches (1220 mm) maximum and the low forward reach shall be 15 inches (380 mm) minimum above the finish floor or ground.

Citation:

2010 ADAS Section: 308.2.1

As Built:

Ambulatory stall coat
hook at 67 inches
above finished floor

Recommendation:

Lower coat hook 20 inches minimum or install another coat hook not to exceed a maximum height of 48 inches above finished floor.

Barrier Priority:

3 (Moderate): Should be completed as soon as possible, but there may be other items that will provide greater access to persons with disabilities. (Includes; Findings that have a high financial impact on the entity in relationship to the degree of access provided)

Department:

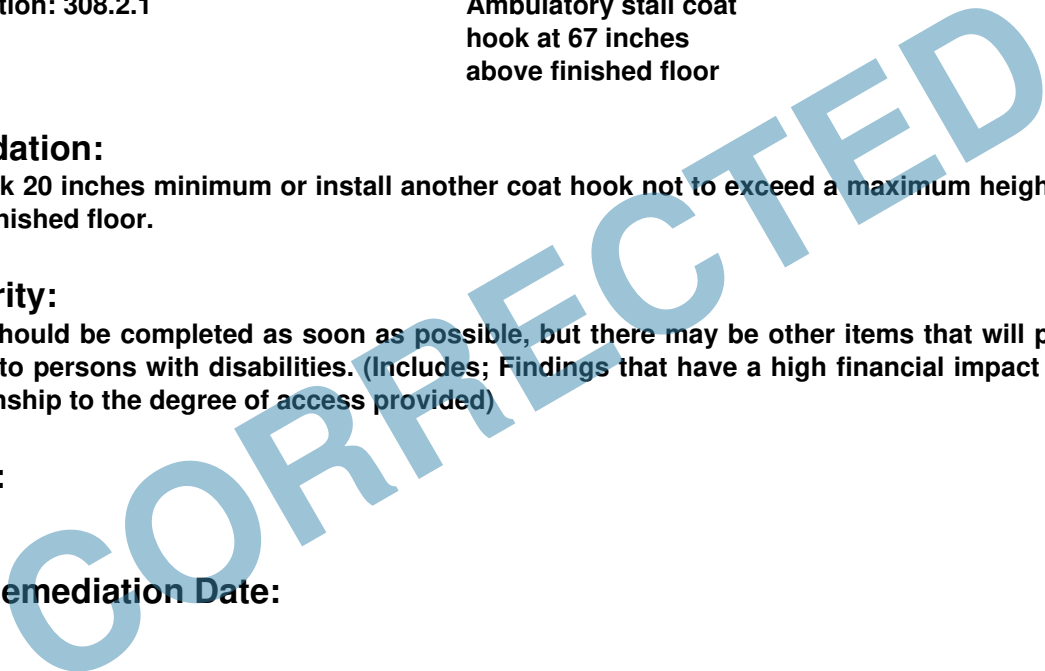
N/A

Estimated Remediation Date:

N/A

Notes:

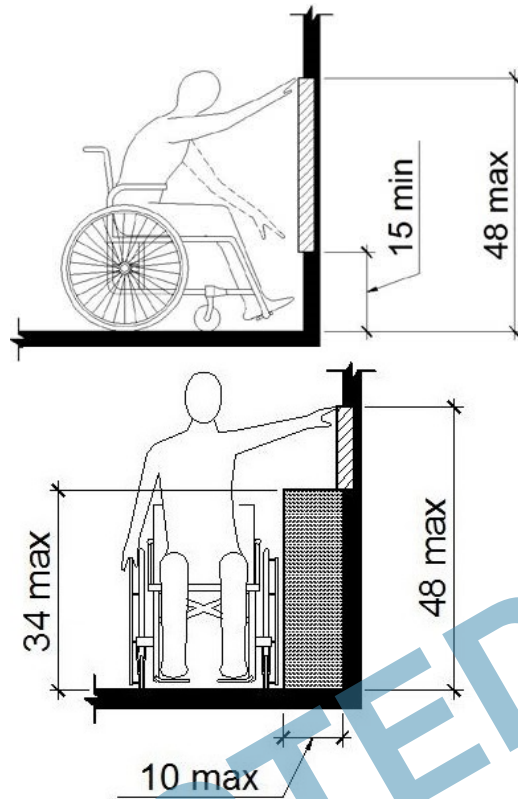
N/A



Finding #194 Continued



Finding 299452 Main Photo



Considered
Unobstructed

CORRECTED

2nd Floor, S. side, Mens Restroom (Mezzanine Level)

Lat: 38.8308900000, Long: -104.8267000000

Finding: 195

The water closet compartment door is missing a loop handle.

Water closet compartments must be equipped with a door that has a loop or U-shaped handle on both sides of the door immediately below the latch. The latch must be flip-over style, sliding or other hardware not requiring the user to grasp or twist.

2010 ADAS Section 604.8.1.2

Toilet compartment doors, including door hardware, shall comply with 404 except that if the approach is to the latch side of the compartment door, clearance between the door side of the compartment and any obstruction shall be 42 inches (1065 mm) minimum. Doors shall be located in the front partition or in the side wall or partition farthest from the water closet. Where located in the front partition, the door opening shall be 4 inches (100 mm) maximum from the side wall or partition farthest from the water closet. Where located in the side wall or partition, the door opening shall be 4 inches (100 mm) maximum from the front partition. The door shall be self-closing. A door pull complying with 404.2.7 shall be placed on both sides of the door near the latch. Toilet compartment doors shall not swing into the minimum required compartment area.

Citation:

2010 ADAS Section: 604.8.1.2

As Built:

Loop handles missing on ambulatory stall door

Recommendation:

Install loop or U-shaped handles on compartment door.

Barrier Priority:

3 (Moderate): Should be completed as soon as possible, but there may be other items that will provide greater access to persons with disabilities. (Includes; Findings that have a high financial impact on the entity in relationship to the degree of access provided)

Department:

N/A

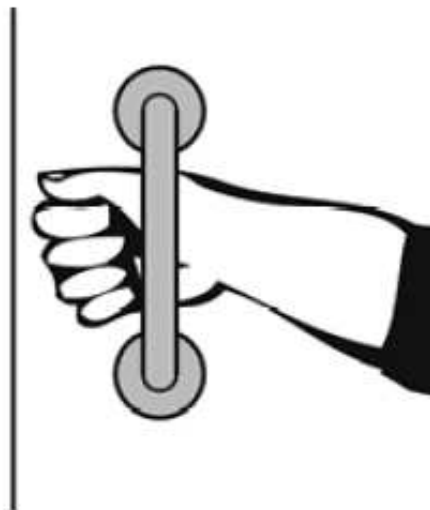
Estimated Remediation Date:

N/A

Notes:

N/A

Finding #195 Continued



Finding 299453 Main Photo

CORRECTED

2nd Floor, S. side, Mens Restroom (Mezzanine Level)

Lat: 38.8308900000, Long: -104.8267000000

Finding: 196

The locking/latching hardware is not accessible.

Hand-activated door opening hardware, handles, pulls, latches, locks, and other operating devices on accessible doors shall have a shape that is easy to grasp with one hand and does not require tight grasping, tight pinching or twisting of the wrist to operate.

2010 ADAS Section 604.8.1.2

Toilet compartment doors, including door hardware, shall comply with 404 except that if the approach is to the latch side of the compartment door, clearance between the door side of the compartment and any obstruction shall be 42 inches (1065 mm) minimum. Doors shall be located in the front partition or in the side wall or partition farthest from the water closet. Where located in the front partition, the door opening shall be 4 inches (100 mm) maximum from the side wall or partition farthest from the water closet. Where located in the side wall or partition, the door opening shall be 4 inches (100 mm) maximum from the front partition. The door shall be self-closing. A door pull complying with 404.2.7 shall be placed on both sides of the door near the latch. Toilet compartment doors shall not swing into the minimum required compartment area.

Citation:

2010 ADAS Section: 604.8.1.2

As Built:

Ambulatory door lock requires tight grasping and twisting of the wrist

Recommendation:

Replace locking hardware with locking lever that does not require tight grasping, pinching or twisting of the wrist to operate.

Barrier Priority:

3 (Moderate): Should be completed as soon as possible, but there may be other items that will provide greater access to persons with disabilities. (Includes; Findings that have a high financial impact on the entity in relationship to the degree of access provided)

Department:

N/A

Estimated Remediation Date:

N/A

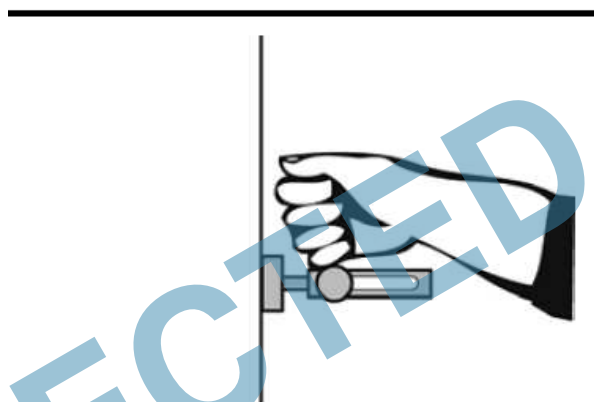
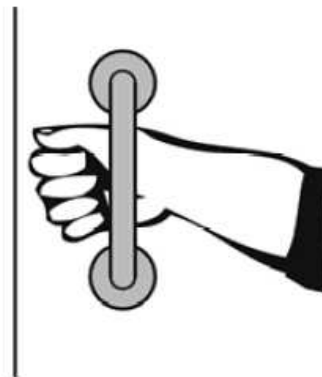
Notes:

N/A

Finding #196 Continued



Finding 299454 Main Photo



2nd Floor, S. side, Mens Restroom (Mezzanine Level)

Lat: 38.8308900000, Long: -104.8267000000

Finding: 197

The door to the ambulatory compartment swings into the minimum required compartment area.

Toilet compartment doors shall not swing into the minimum required compartment area.

2010 ADAS Section 604.8.2.2

Toilet compartment doors, including door hardware, shall comply with 404, except that if the approach is to the latch side of the compartment door, clearance between the door side of the compartment and any obstruction shall be 42 inches (1065 mm) minimum. The door shall be self-closing. A door pull complying with 404.2.7 shall be placed on both sides of the door near the latch. Toilet compartment doors shall not swing into the minimum required compartment area.

Citation:

2010 ADAS Section: 604.8.2.2

As Built:

Ambulatory stall door swings inwards

Recommendation:

Reverse door swing.

Barrier Priority:

3 (Moderate): Should be completed as soon as possible, but there may be other items that will provide greater access to persons with disabilities. (Includes; Findings that have a high financial impact on the entity in relationship to the degree of access provided)

Department:

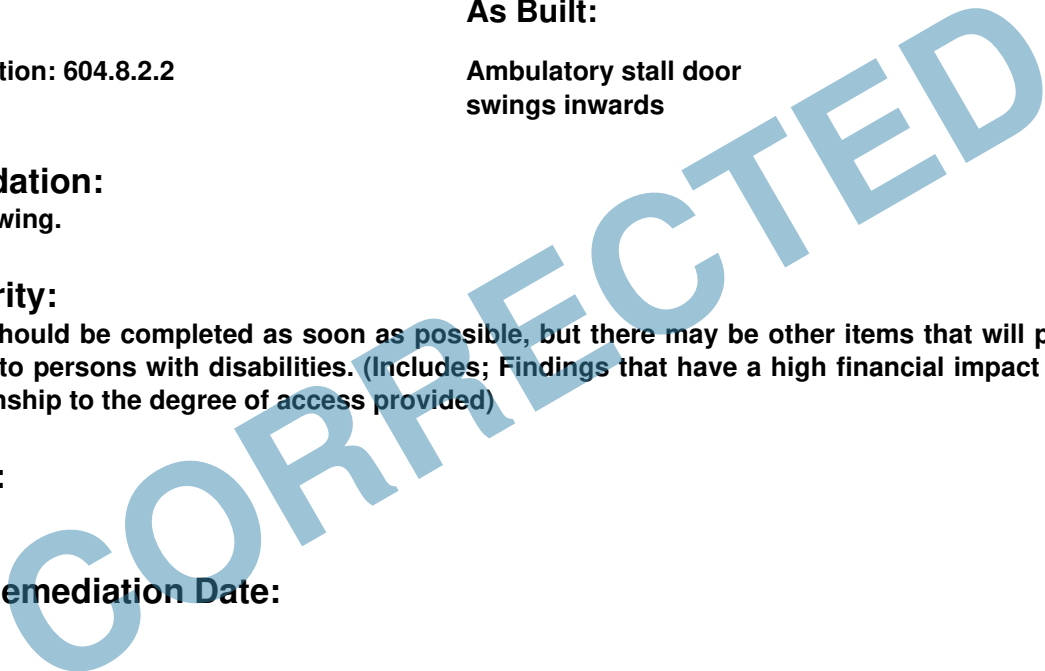
N/A

Estimated Remediation Date:

N/A

Notes:

N/A



Finding #197 Continued



Finding 299455 Main Photo

CORRECTED

2nd Floor, S. side, Mens Restroom (Mezzanine Level)

Lat: 38.8308900000, Long: -104.8267000000

Finding: 198

The door to the compartment has a latch side approach and there is not enough clearance to obstructions.

When the approach is to the latch side of the compartment door, clearance between the door side of the compartment and any obstruction shall be 42 inches minimum.

2010 ADAS Section 604.8.2.2

Toilet compartment doors, including door hardware, shall comply with 404, except that if the approach is to the latch side of the compartment door, clearance between the door side of the compartment and any obstruction shall be 42 inches (1065 mm) minimum. The door shall be self-closing. A door pull complying with 404.2.7 shall be placed on both sides of the door near the latch. Toilet compartment doors shall not swing into the minimum required compartment area.

Citation:

2010 ADAS Section: 604.8.2.2

As Built:

Ambulatory stall has 40.5 inches to latch side approach

Recommendation:

Providing the minimum required width clearance to the ambulatory stall is technically infeasible at this time because existing structural conditions would require removing or altering a load-bearing member that is an essential part of the structural frame; or because other existing physical or site constraints prohibit modification or addition of elements, spaces, or features that are in full and strict compliance with the minimum requirements. Best practice measures are recommended to ensure restroom is accessible to the maximum extent feasible. Major remodel/reconstruction will be required to meet current ADA standards. Signage will be displayed at restroom door entrance directing patrons to wheelchair accessible restrooms located on the south side of the orchestra level.

Barrier Priority:

3 (Moderate): Should be completed as soon as possible, but there may be other items that will provide greater access to persons with disabilities. (Includes; Findings that have a high financial impact on the entity in relationship to the degree of access provided)

Department:

N/A

Estimated Remediation Date:

N/A

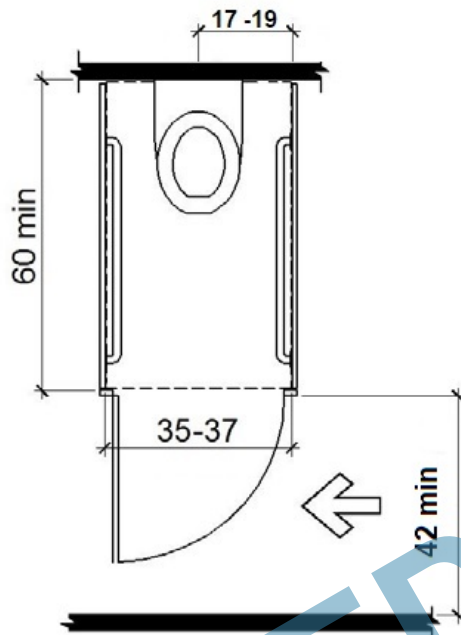
Notes:

N/A

Finding #198 Continued



Finding 299456 Main Photo



CORRECTED

Balcony Level

Lat: 38.8309632000, Long: -104.8266173000

Finding: 199

The ceiling beneath the stairs angles/extends down too close to the route of travel.

Any obstruction that overhangs a route of travel must be a minimum of 80 inches above the walking surface as measured from the bottom of the obstruction.

2010 ADAS Section 307.4

Vertical clearance shall be 80 inches (2030 mm) high minimum. Guardrails or other barriers shall be provided where the vertical clearance is less than 80 inches (2030 mm) high. The leading edge of such guardrail or barrier shall be located 27 inches (685 mm) maximum above the finish floor or ground.

Citation:

2010 ADAS Section: 307.4

As Built:

Open alcove ceiling height lower than 80 inches.

Recommendation:

Add rest bench or sofa in alcove to block persons from entering area to prevent head injury.

Barrier Priority:

2 (Important): Should be completed as soon as possible. (Includes; Findings that would remove barriers to the greatest number of people to your goods and services)

Department:

N/A

Estimated Remediation Date:

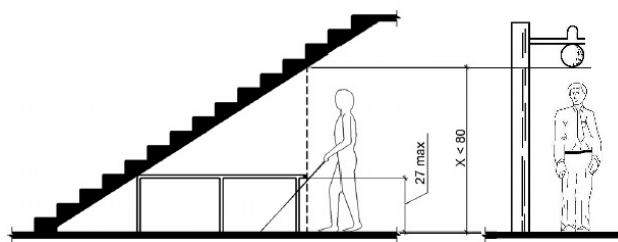
N/A

Notes:

N/A

CORRECTED

Finding #199 Continued



Finding 54019 Main Photo

CORRECTED

Balcony Level

Lat: 38.8309600000, Long: -104.8266000000

Finding: 200

The south side drinking fountain is not accessible.

The spout is located 7 inches from the front edge of the unit (5 inches maximum).

Spout height is 37 inches above the finished floor (36 inches maximum).

The angle of water stream is non-compliant (15 or 30 degrees allowed)

Spout water flow is below the 4 inch high minimum.

2010 ADAS Section 403.5.1

Except as provided in 403.5.2 and 403.5.3, the clear width of walking surfaces shall be 36 inches (915 mm) minimum.

2010 ADAS Section 602.1

Drinking fountains shall comply with 307 and 602.

Citation:

2010 ADAS Section: 403.5.1, 602.1

As Built:

Spout at 7 inches from front edge of unit 7

Recommendation:

Provide a hi-lo fountain unit to meet current ADA standards. Spout shall be 15 inches minimum from the vertical support and 5 inches maximum from the front edge of the unit, including bumpers. Spout outlets shall be 36 inches maximum above the finished floor or ground.

Barrier Priority:

4 (Low): Should be completed as soon as possible due to being a technical violation, but may not result in providing greater access to persons with disabilities. (Includes; Findings that are technically violations but provide a moderate to low increase in accessibility compared to the financial impact on the entity)

Department:

N/A

Estimated Remediation Date:

N/A

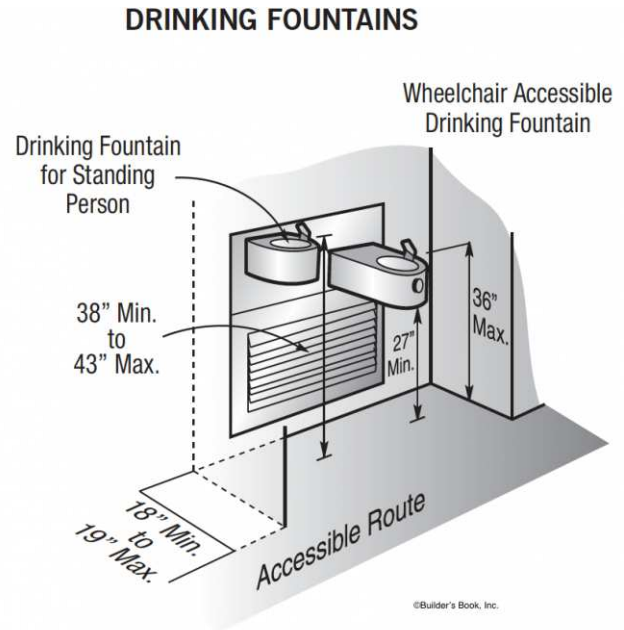
Notes:

N/A

Finding #200 Continued



Finding 299061 Main Photo



Finding #200 Additional Finding Photos



Finding 299061 Additional Photo



Finding 299061 Additional Photo



Finding 299061 Additional Photo

Balcony Level

Lat: 38.8309600000, Long: -104.8266000000

Finding: 201

The north side drinking fountain is not accessible.

The spout is located 7 inches from the front edge of the unit (5 inches maximum).

Spout height is 37 inches above the finished floor (36 inches maximum).

The angle of water stream is non-compliant (15 or 30 degrees allowed)

Spout water flow is below the 4 inch high minimum.

2010 ADAS Section 602.2

Units shall have a clear floor or ground space complying with 305 positioned for a forward approach and centered on the unit. Knee and toe clearance complying with 306 shall be provided.

Citation:

2010 ADAS Section: 602.2

As Built:

Spout at 7 inches from front edge of unit

Recommendation:

Provide a hi-lo fountain unit to meet current ADA standards. Spout shall be 15 inches minimum from the vertical support and 5 inches maximum from the front edge of the unit, including bumpers. Spout outlets shall be 36 inches maximum above the finished floor or ground.

Barrier Priority:

4 (Low): Should be completed as soon as possible due to being a technical violation, but may not result in providing greater access to persons with disabilities. (Includes; Findings that are technically violations but provide a moderate to low increase in accessibility compared to the financial impact on the entity)

Department:

N/A

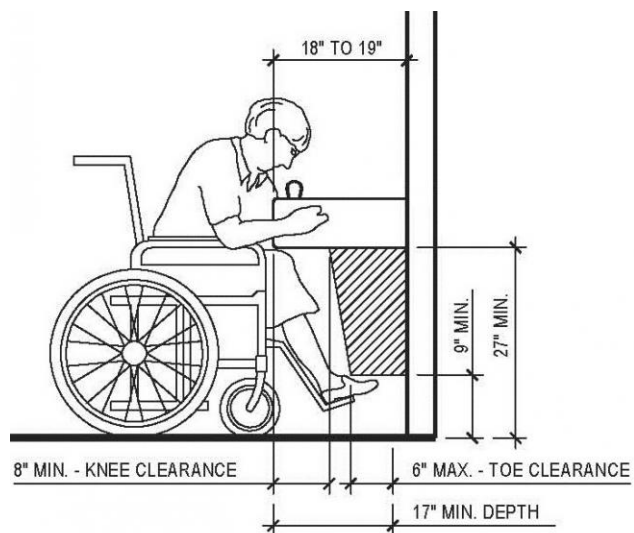
Estimated Remediation Date:

N/A

Notes:

N/A

Finding #201 Continued



Finding 299062 Main Photo

Finding #201 Additional Finding Photos



Finding 299062 Additional Photo



Finding 299062 Additional Photo



Finding 299062 Additional Photo

Throughout Facility

Lat: 38.8309632000, Long: -104.8266173000

Finding: 202

Compliant room/area identification signs are missing on the strike side of the door or appropriate location.

Wall signs identifying permanent rooms and spaces of a building shall have be horizontal format and the characters raised 1/32 inch minimum and shall be sans serif uppercase characters a minimum of 5/8 inch and a maximum of 2 inches high. Contracted Grade 2 Braille shall be in a horizontal format and shall be placed a minimum of 3/8 inch and a maximum of 1/2 inch directly below the tactile characters; flush left or centered. Dots shall be 1/10 inch on center in each cell with 2/10-inch space between cells, measured from the second column of dots in the first cell to the first column of dots in the second cell. Dots shall be raised a minimum of 1/40 inch above the background. Braille dots shall be domed or rounded. Signs with raised characters or Braille shall be located 48 inches minimum above the finish floor or ground surface, measured from the baseline of the lowest tactile character and 60 inches maximum above the finish floor or ground surface, measured from the baseline of the highest tactile character. **Note: Barrier priorities also include = Barrier Priority 3.**

2010 ADAS Section 216.2

Interior and exterior signs identifying permanent rooms and spaces shall comply with 703.1, 703.2, and 703.5. Where pictograms are provided as designations of permanent interior rooms and spaces, the pictograms shall comply with 703.6 and shall have text descriptors complying with 703.2 and 703.5.

2010 ADAS Section 703.4.2

Where a tactile sign is provided at a door, the sign shall be located alongside the door at the latch side. Where a tactile sign is provided at double doors with one active leaf, the sign shall be located on the inactive leaf. Where a tactile sign is provided at double doors with two active leaves, the sign shall be located to the right of the right hand door. Where there is no wall space at the latch side of a single door or at the right side of double doors, signs shall be located on the nearest adjacent wall. Signs containing tactile characters shall be located so that a clear floor space of 18 inches (455 mm) minimum by 18 inches (455 mm) minimum, centered on the tactile characters, is provided beyond the arc of any door swing between the closed position and 45 degree open position.

Citation:

2010 ADAS Section: 216.2, 703.4.2

As Built:

ADA signs are missing throughout facility. See attachments for details and photos for examples.

Recommendation:

Install ADA signs as required for restrooms, permanent rooms, exit signs, stairways, etc.

Barrier Priority:

2 (Important): Should be completed as soon as possible. (Includes; Findings that would remove barriers to the greatest number of people to your goods and services)

Department:

N/A

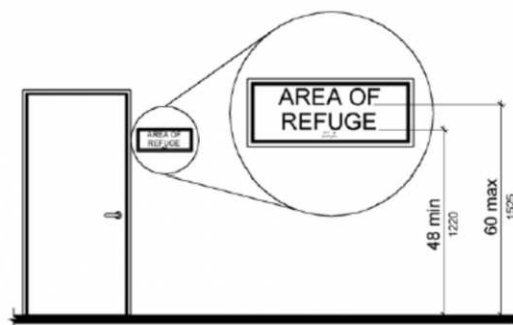
Estimated Remediation Date:

N/A

Notes:

94 new ADA compliant signs. This includes (7) signs for the future restrooms and showers in the basement, only (6) if they aren't built. Since the signs are all different styles and sizes (some are 8" x 18"). Estimates give some idea of potential costs. At \$150.00 each, a set would cost between \$13,500.00 and \$15,000.00.

Corrective Action:



Finding 53938 Main Photo

Finding #202 Additional Finding Photos



Finding 53938 Additional Photo



Finding 53938 Additional Photo



Finding 53938 Additional Photo



Finding 53938 Additional Photo



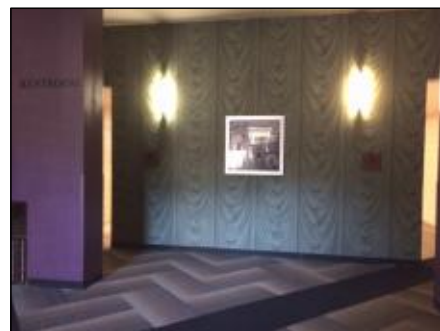
Finding 53938 Additional Photo



Finding 53938 Additional Photo

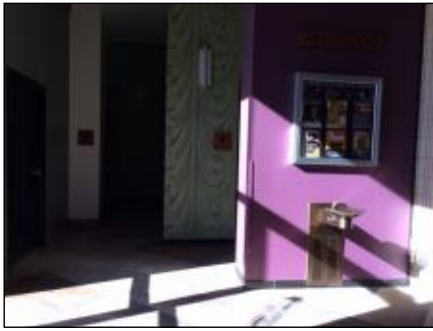


Finding 53938 Additional Photo



Finding 53938 Additional Photo

Finding #202 Additional Finding Photos



Finding 53938 Additional Photo



Finding 53938 Additional Photo



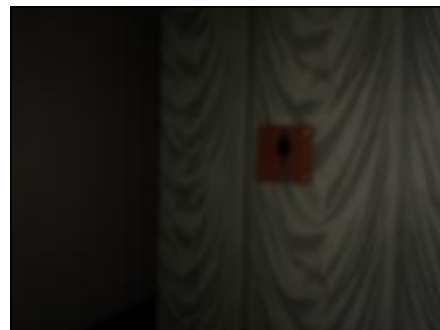
Finding 53938 Additional Photo



Finding 53938 Additional Photo



Finding 53938 Additional Photo



Finding 53938 Additional Photo



Finding 53938 Additional Photo

Throughout Facility

Lat: 38.8309632000, Long: -104.8266173000

Finding: 203

State and local governments have an obligation to make their programs and services accessible to persons with disabilities. This may or may not require the alteration, addition or construction of existing facilities which predate The Americans with Disabilities Act (ADA) of 1990.

Under the Code of Federal Regulations Section 35.151(b)(2) State and Local Government Title II entities may provide programmatic access where alterations to existing facilities would result in undue financial and administrative burdens.

For Example, A public entity has six courtrooms in two existing buildings and determines that only three of those courtrooms and the public use and common use areas serving those courtrooms in one building are needed to be made accessible in order to satisfy its program access obligations. The entity must comply with 2010 Standards unless compliance would result in undue financial and administrative burdens and must take other actions that would not result in an undue financial burden to ensure access to persons with disabilities. This may include the scheduling of the various types of cases, hearings etc. in accessible courtrooms and relocating them where necessary to accommodate persons with disabilities. Having a defined program and effective communication process in place to ensure the public and employees can request accommodations is necessary to ensure equal access to the county's court system.

Program access is not part of this evaluation and this information is being provided as an advisory only.

2010 ADAS Section Advisory
None

Citation:

2010 ADAS Section: Advisory

As Built:

No inductive looping available.

Recommendation:

During major remodel and if funding allows, install inductive looping system throughout auditorium to provide effective communication for hard of hearing citizens.

Barrier Priority:

2 (Important): Should be completed as soon as possible. (Includes; Findings that would remove barriers to the greatest number of people to your goods and services)

Department:

N/A

Estimated Remediation Date:

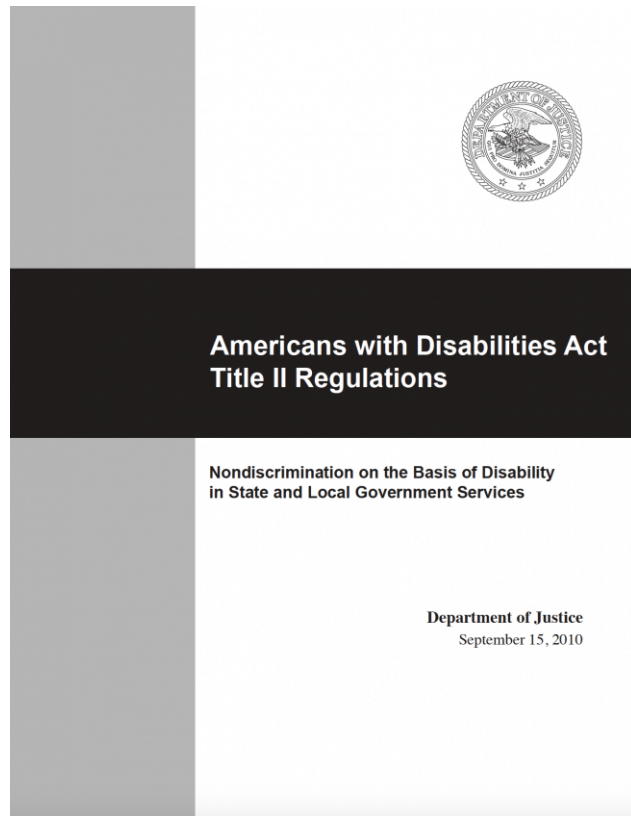
N/A

Notes:

N/A



Finding 137859 Main Photo



Finding #203 Additional Finding Photos



Finding 137859 Additional Photo

Building Code Study / Design Drawings

Lat: 38.8308867000, Long: -104.8266744000

Finding: 204

No ADA compliant restrooms exist near Studio Bee.

*2010 ADAS Section Recommended
None*

Citation:

2010 ADAS Section: Recommended

As Built:

Studio Bee restrooms
not ADA compliant

Recommendation:

Conduct code study to determine if restrooms can be re-modeled to meet ADA compliance.

Barrier Priority:

1 (High): Should be completed immediately. (Includes; Findings that have little or no cost, were in violation of the codes at the time of construction, or pose an imminent safety threat)

Department:

N/A

Estimated Remediation Date:

N/A

Notes:

N/A

CORRECTED

Building Code Study / Design Drawings

Lat: 38.8308867000, Long: -104.8266744000

Finding: 205

No architectural design drawings exist.

2010 ADAS Section Recommended

None

Citation:

2010 ADAS Section: Recommended

As Built:

Architectural design drawings needed

Recommendation:

Provide architectural design drawings.

Barrier Priority:

1 (High): Should be completed immediately. (Includes; Findings that have little or no cost, were in violation of the codes at the time of construction, or pose an imminent safety threat)

Department:

N/A

Estimated Remediation Date:

N/A

Notes:

N/A

CORRECTED