

# Site Accessibility Evaluation

## Americans with Disabilities Act Title II (Public Services: State and Local Government)



**Office of the Sheriff**

**27 E Vermijo Ave  
Colorado Springs, CO  
80903**

**Accessibility Evaluation**

***Inspection Date: 05/18/2020  
Inspector: David Mejia***

**Prepared By**



**(719) 520 - 6866**

**[www.elpasoco.com](http://www.elpasoco.com)**

## Main Lobby Unisex Restroom

Lat: 38.8293000000, Long: -104.8241000000

### Finding: 1

The rear grab bar does not extend adequately past the centerline of the toilet on the wall side.

The rear grab bar must be a minimum of 36 inches long and extend from the centerline of the toilet 12 inches minimum on one side and 24 inches minimum on the other side.

Grab bars shall be installed in a horizontal position, 33 inches minimum and 36 inches maximum above the finish floor measured to the top of the gripping surface and the space between the grab bar and the top of the tank shall be 1-1/2 inches minimum.

*2010 ADAS Section 604.5.2*

*The rear wall grab bar shall be 36 inches (915 mm) long minimum and extend from the centerline of the water closet 12 inches (305 mm) minimum on one side and 24 inches (610 mm) minimum on the other side.*

### Citation:

2010 ADAS Section: 604.5.2

### As Built:

11.25 inches from side wall

### Recommendation:

Re-position rear grab bar to extend from the centerline of the toilet 12 inches minimum to the wall side and 24 inches minimum to the transfer/open side.

### Barrier Priority:

3 (Moderate): Should be completed as soon as possible, but there may be other items that will provide greater access to persons with disabilities. (Includes; Findings that have a high financial impact on the entity in relationship to the degree of access provided)

### Department:

N/A

### Estimated Remediation Date:

N/A

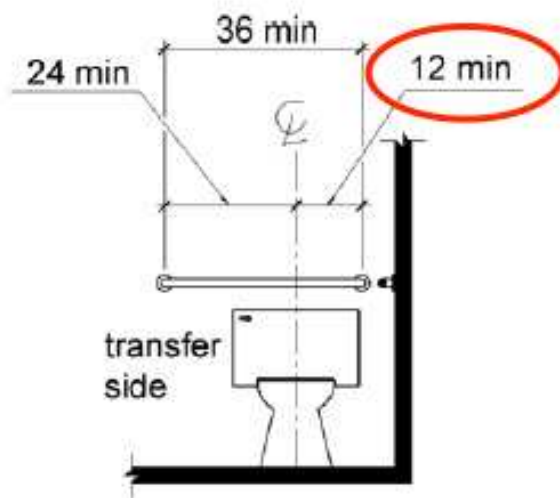
### Notes:

N/A

Finding #1 Continued



Finding 299271 Main Photo



## Finding #1 Additional Finding Photos



Finding 299271 Additional Photo

## Main Lobby Unisex Restroom

Lat: 38.8293000000, Long: -104.8241000000

### Finding: 2

The toilet paper is not installed within the compliant range.

Toilet paper dispensers shall be 7 inches minimum and 9 inches maximum in front of the water closet measured to the centerline of the dispenser. The outlet of the dispenser shall be 15 inches minimum and 48 inches maximum above the finish floor and shall not be located behind grab bars. Dispensers shall not be of a type that controls delivery or that does not allow continuous paper flow. There shall be a clearance of 1 1/2 inches minimum below the grab bar.

*2010 ADAS Section 604.7*

*Toilet paper dispensers shall comply with 309.4 and shall be 7 inches (180 mm) minimum and 9 inches (230 mm) maximum in front of the water closet measured to the centerline of the dispenser. The outlet of the dispenser shall be 15 inches (380 mm) minimum and 48 inches (1220 mm) maximum above the finish floor and shall not be located behind grab bars. Dispensers shall not be of a type that controls delivery or that does not allow continuous paper flow.*

#### Citation:

2010 ADAS Section: 604.7

#### As Built:

10 inches in front of toilet measured to the centerline of the dispenser

#### Recommendation:

Re-position toilet paper dispenser to be within 7 inches minimum to 9 inches maximum in front of the toilet measured to the centerline of the dispenser.

#### Barrier Priority:

3 (Moderate): Should be completed as soon as possible, but there may be other items that will provide greater access to persons with disabilities. (Includes; Findings that have a high financial impact on the entity in relationship to the degree of access provided)

#### Department:

N/A

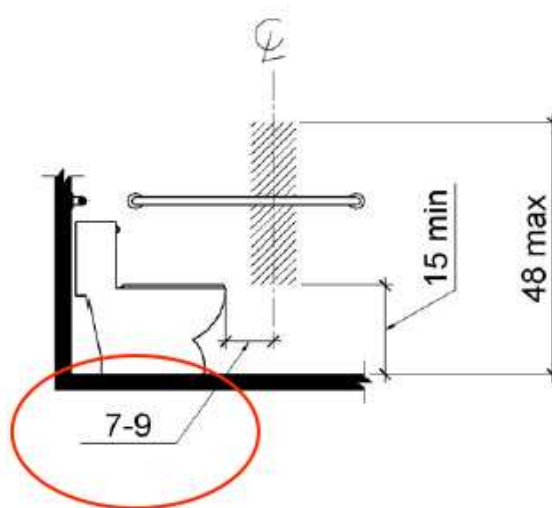
#### Estimated Remediation Date:

N/A

#### Notes:

N/A

### Finding #2 Continued



Finding 299272 Main Photo

## Main Lobby Unisex Restroom

Lat: 38.8293000000, Long: -104.8241000000

### Finding: 3

The toilet seat cover dispenser is mounted too close to the top of the grab bar, minimizing the gripping surface.

Adjacent elements shall be positioned to provide unobstructed use of grab bars. The space between the grab bar and projecting objects below and at the ends shall be 1-1/2 inches minimum. The space between the grab bar and projecting objects above shall be 12 inches minimum.

*2010 ADAS Section 609.3*

*The space between the wall and the grab bar shall be 1 1/2 inches (38 mm). The space between the grab bar and projecting objects below and at the ends shall be 1 1/2 inches (38 mm) minimum. The space between the grab bar and projecting objects above shall be 12 inches (305 mm) minimum.*

#### Citation:

2010 ADAS Section: 609.3

#### As Built:

5 inches above side  
grab bar

#### Recommendation:

Relocate seat cover dispenser to have operable part between 15 inches minimum and 48 inches maximum above floor. May require relocation below rear or side grab bar at 1.5 inches minimum clearance below grab bar to meet compliance.

#### Barrier Priority:

3 (Moderate): Should be completed as soon as possible, but there may be other items that will provide greater access to persons with disabilities. (Includes; Findings that have a high financial impact on the entity in relationship to the degree of access provided)

#### Department:

N/A

#### Estimated Remediation Date:

N/A

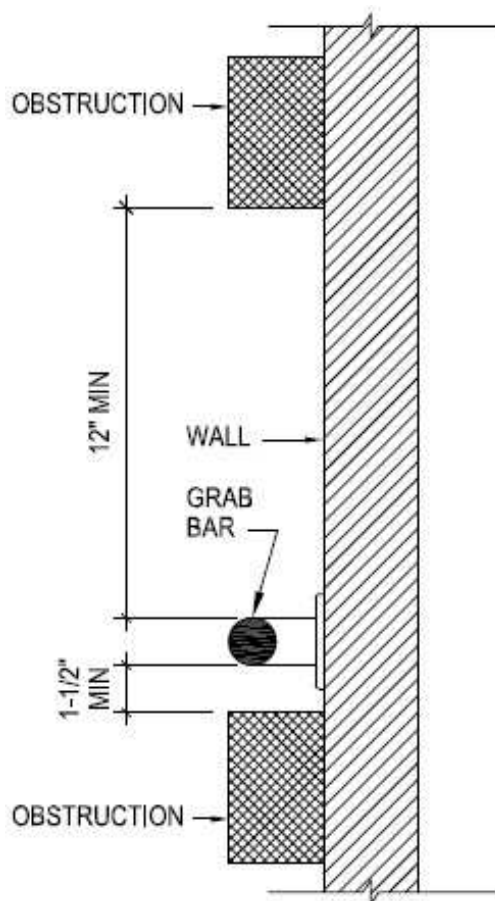
#### Notes:

N/A

### Finding #3 Continued



Finding 299273 Main Photo





### Finding #3 Additional Finding Photos



Finding 299273 Additional Photo

## Main Lobby Unisex Restroom

Lat: 38.8293000000, Long: -104.8241000000

### Finding: 4

The baby changing table is too high when folded down.

The tops of baby changing surfaces shall be 28 inches minimum and 34 inches maximum above the finish floor or ground.

*2010 ADAS Section 902.3*

*The tops of dining surfaces and work surfaces shall be 28 inches (710 mm) minimum and 34 inches (865 mm) maximum above the finish floor or ground.*

### Citation:

2010 ADAS Section: 902.3

### As Built:

39 inches above finish floor to the top of the table surface

### Recommendation:

Lower baby changing station to meet the 27 inches minimum required under an element for knee clearance, 28 inches minimum to 34 inches maximum to the top of the table surface and not to exceed 48 inches maximum height to operable part measured from the finished floor.

### Barrier Priority:

3 (Moderate): Should be completed as soon as possible, but there may be other items that will provide greater access to persons with disabilities. (Includes; Findings that have a high financial impact on the entity in relationship to the degree of access provided)

### Department:

N/A

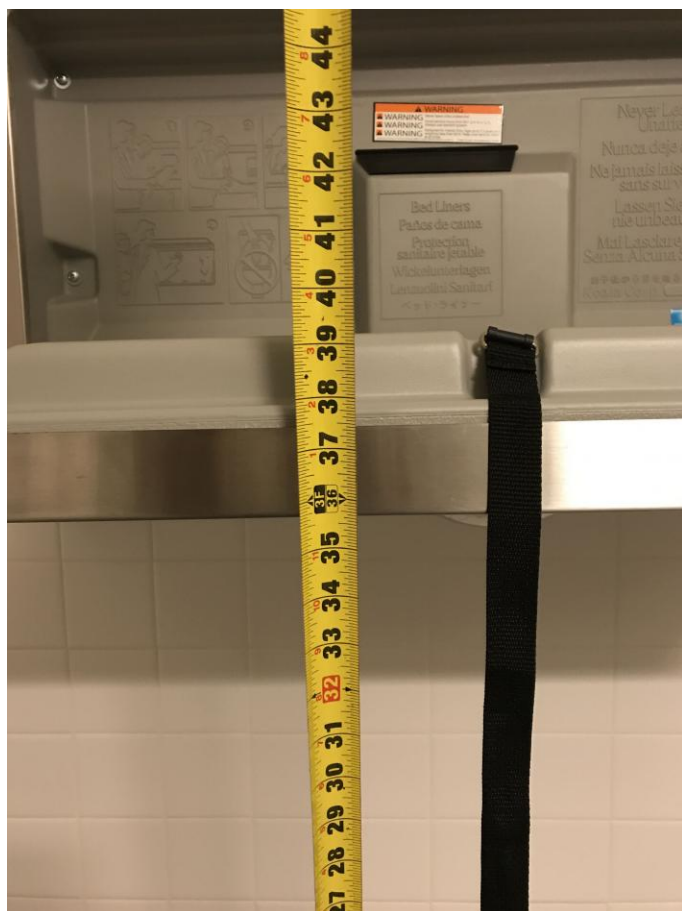
### Estimated Remediation Date:

N/A

### Notes:

N/A

### Finding #4 Continued



Finding 299274 Main Photo

## Finding #4 Additional Finding Photos



Finding 299274 Additional Photo

## Main Lobby Unisex Restroom

Lat: 38.8292983000, Long: -104.8241210000

### Finding: 5

The door exceeds the maximum pressure to open the door.

Interior doors shall have a maximum opening force of 5 pounds.

These forces do not apply to the force required to retract latch bolts or disengage other devices that hold the door or gate in a closed position. Door closers and gate closers shall be adjusted so that from an open position of 90 degrees, the time required to move the door to a position of 12 degrees from the latch is 5 seconds minimum.

Door and gate spring hinges shall be adjusted so that from the open position of 70 degrees, the door or gate shall move to the closed position in 1.5 seconds minimum.

*2010 ADAS Section 404.2.9*

*Fire doors shall have a minimum opening force allowable by the appropriate administrative authority. The force for pushing or pulling open a door or gate other than fire doors shall be as follows: 1. Interior hinged doors and gates: 5 pounds (22.2 N) maximum. 2. Sliding or folding doors: 5 pounds (22.2 N) maximum. These forces do not apply to the force required to retract latch bolts or disengage other devices that hold the door or gate in a closed position.*

### Citation:

2010 ADAS Section: 404.2.9

### As Built:

8 lbs of pressure  
required to open door

### Recommendation:

Adjust door closer to 5 lbs. of pressure or less.

### Barrier Priority:

3 (Moderate): Should be completed as soon as possible, but there may be other items that will provide greater access to persons with disabilities. (Includes; Findings that have a high financial impact on the entity in relationship to the degree of access provided)

### Department:

N/A

### Estimated Remediation Date:

N/A

### Notes:

N/A

### Finding #5 Continued



Finding 299275 Main Photo

## Main Lobby Unisex Restroom

Lat: 38.8292983000, Long: -104.8241210000

### Finding: 6

The door is equipped with a door closer and returns to a closed position too quickly.

Door closers and gate closers shall be adjusted so that from an open position of 90 degrees, the time required to move the door to a position of 12 degrees from the latch is 5 seconds minimum.

*2010 ADAS Section 404.2.8.1*

*Door closers and gate closers shall be adjusted so that from an open position of 90 degrees, the time required to move the door to a position of 12 degrees from the latch is 5 seconds minimum.*

#### Citation:

2010 ADAS Section: 404.2.8.1

#### As Built:

Door returns to a closed position in under 5 seconds

#### Recommendation:

Adjust door closer to allow a minimum of 5 seconds to move from the open position at 90 degrees to 12 degrees from the latch/locking mechanism.

#### Barrier Priority:

3 (Moderate): Should be completed as soon as possible, but there may be other items that will provide greater access to persons with disabilities. (Includes; Findings that have a high financial impact on the entity in relationship to the degree of access provided)

#### Department:

N/A

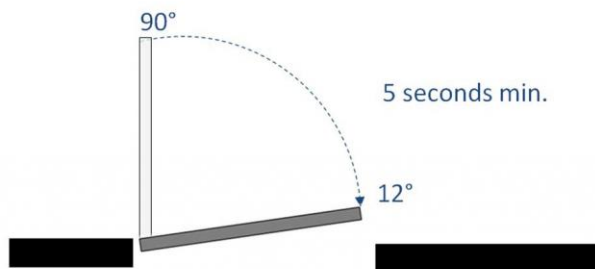
#### Estimated Remediation Date:

N/A

#### Notes:

N/A

### Finding #6 Continued



Finding 299276 Main Photo



## Main Lobby Unisex Restroom

Lat: 38.8292983000, Long: -104.8241210000

### Finding: 7

The door is equipped with both a closer and a latch and is recessed on the latch side greater than 8 inches deep. There is no latch side clearance within the alcove.

Maneuvering clearance for doors on the push side equipped with both a closer and latch must 48 inches minimum in depth. The width of the maneuvering clearance must be as wide as the door plus an additional 12 inches in the same plane as the door on the latch side. The additional maneuvering clearance does not have to be in the same plane as the door if the door is recessed 8 inches or less, The maneuvering clearance must be flat (2% max. slope in any direction) and clear of obstructions.

*2010 ADAS Section 404.2.4.3*

*Maneuvering clearances for forward approach shall be provided when any obstruction within 18 inches (455 mm) of the latch side of a doorway projects more than 8 inches (205 mm) beyond the face of the door, measured perpendicular to the face of the door or gate.*

#### Citation:

2010 ADAS Section: 404.2.4.3

#### As Built:

Door recessed on  
latch side 10.5 inches  
deep

#### Recommendation:

Replace door and door frame that eliminates the alcove or install an automatic door opener.

#### Barrier Priority:

3 (Moderate): Should be completed as soon as possible, but there may be other items that will provide greater access to persons with disabilities. (Includes; Findings that have a high financial impact on the entity in relationship to the degree of access provided)

#### Department:

N/A

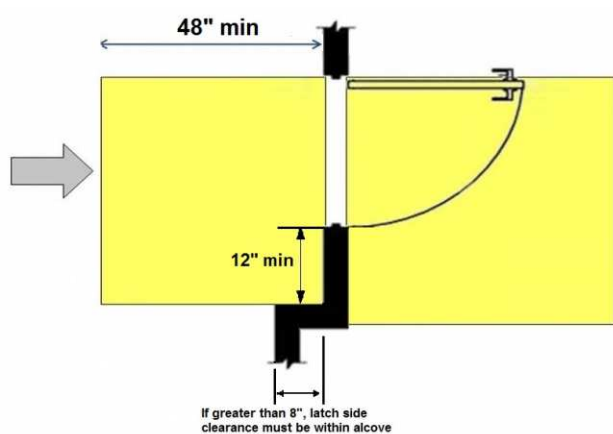
#### Estimated Remediation Date:

N/A

#### Notes:

N/A

### Finding #7 Continued



Finding 299277 Main Photo

## Finding #7 Additional Finding Photos



Finding 299277 Additional Photo

## Main Lobby Unisex Restroom

Lat: 38.8292983000, Long: -104.8241210000

### Finding: 8

Clear floor space is not provide at the tactile door sign.

Signs containing tactile Characters shall be located so that a clear floor space of 18 inches minimum by 18 inches minimum, centered on the tactile Characters, is provided beyond the arc of any door swing between the closed position and 45 degree open position.

*2010 ADAS Section 703.4.2*

*Where a tactile sign is provided at a door, the sign shall be located alongside the door at the latch side. Where a tactile sign is provided at double doors with one active leaf, the sign shall be located on the inactive leaf. Where a tactile sign is provided at double doors with two active leafs, the sign shall be located to the right of the right hand door. Where there is no wall space at the latch side of a single door or at the right side of double doors, signs shall be located on the nearest adjacent wall. Signs containing tactile characters shall be located so that a clear floor space of 18 inches (455 mm) minimum by 18 inches (455 mm) minimum, centered on the tactile characters, is provided beyond the arc of any door swing between the closed position and 45 degree open position.*

#### Citation:

2010 ADAS Section: 703.4.2

#### As Built:

Clear floor space is not provided beyond the arc of the door

#### Recommendation:

Re-position sign so that it is centered on a clear floor space of 18 inches by 18 inches minimum beyond the edge of the latch side of the door. Also, door sign may be installed on push side of door.

#### Barrier Priority:

3 (Moderate): Should be completed as soon as possible, but there may be other items that will provide greater access to persons with disabilities. (Includes; Findings that have a high financial impact on the entity in relationship to the degree of access provided)

#### Department:

N/A

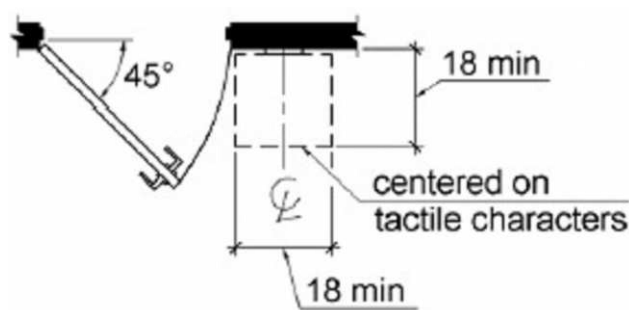
#### Estimated Remediation Date:

N/A

#### Notes:

N/A

### Finding #8 Continued



Finding 299278 Main Photo

### 3rd Floor Community Room Unisex Restroom

Lat: 38.8293000000, Long: -104.8241000000

#### Finding: 9

The rear grab bar does not extend adequately past the centerline of the toilet on the wall side.

The rear grab bar must be a minimum of 36 inches long and extend from the centerline of the toilet 12 inches minimum on one side and 24 inches minimum on the other side.

Grab bars shall be installed in a horizontal position, 33 inches minimum and 36 inches maximum above the finish floor measured to the top of the gripping surface and the space between the grab bar and the top of the tank shall be 1-1/2 inches minimum.

*2010 ADAS Section 604.5.2*

*The rear wall grab bar shall be 36 inches (915 mm) long minimum and extend from the centerline of the water closet 12 inches (305 mm) minimum on one side and 24 inches (610 mm) minimum on the other side.*

#### Citation:

2010 ADAS Section: 604.5.2

#### As Built:

11 inches from side wall

#### Recommendation:

Re-position rear grab bar to extend from the centerline of the toilet 12 inches minimum to the wall side and 24 inches minimum to the transfer/open side.

#### Barrier Priority:

3 (Moderate): Should be completed as soon as possible, but there may be other items that will provide greater access to persons with disabilities. (Includes; Findings that have a high financial impact on the entity in relationship to the degree of access provided)

#### Department:

N/A

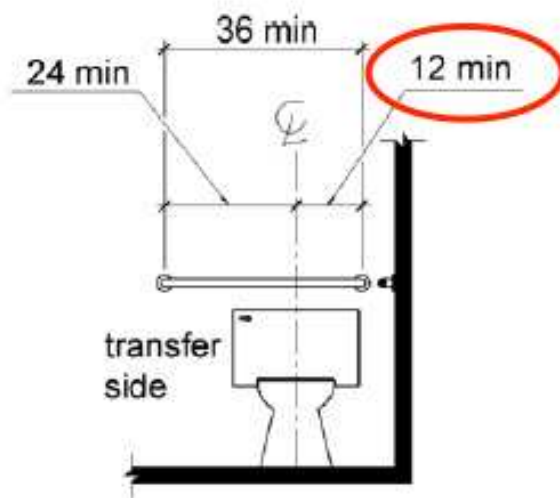
#### Estimated Remediation Date:

N/A

#### Notes:

N/A

### Finding #9 Continued



Finding 299279 Main Photo

## Finding #9 Additional Finding Photos



Finding 299279 Additional Photo



### 3rd Floor Community Room Unisex Restroom

Lat: 38.8293000000, Long: -104.8241000000

#### Finding: 10

The toilet seat cover dispenser is mounted too close to the top of the grab bar, minimizing the gripping surface.

Adjacent elements shall be positioned to provide unobstructed use of grab bars. The space between the grab bar and projecting objects below and at the ends shall be 1-1/2 inches minimum. The space between the grab bar and projecting objects above shall be 12 inches minimum.

*2010 ADAS Section 609.3*

*The space between the wall and the grab bar shall be 1 1/2 inches (38 mm). The space between the grab bar and projecting objects below and at the ends shall be 1 1/2 inches (38 mm) minimum. The space between the grab bar and projecting objects above shall be 12 inches (305 mm) minimum.*

#### Citation:

2010 ADAS Section: 609.3

#### As Built:

8.75 inches above side  
grab bar

#### Recommendation:

Relocate seat cover dispenser to have operable part between 15 inches minimum and 48 inches maximum above floor. May require relocation below rear or side grab bar at 1.5 inches minimum clearance below grab bar to meet compliance.

#### Barrier Priority:

3 (Moderate): Should be completed as soon as possible, but there may be other items that will provide greater access to persons with disabilities. (Includes; Findings that have a high financial impact on the entity in relationship to the degree of access provided)

#### Department:

N/A

#### Estimated Remediation Date:

N/A

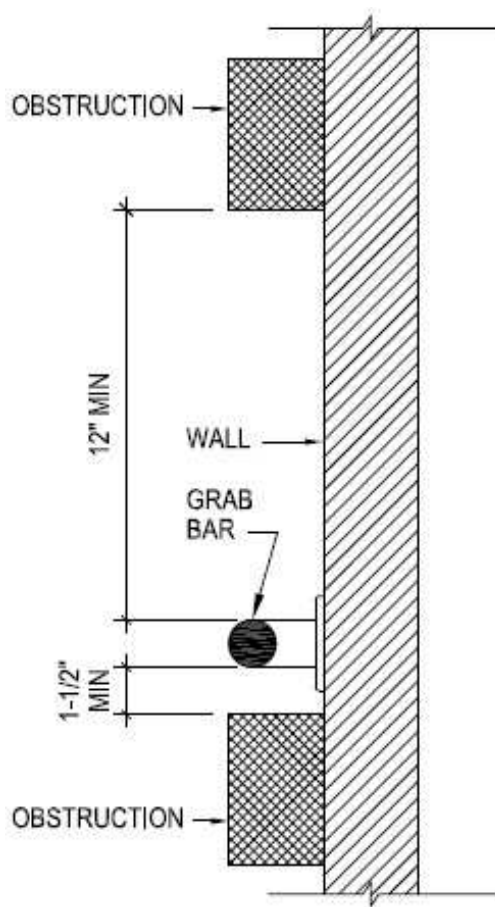
#### Notes:

N/A

### Finding #10 Continued



Finding 299280 Main Photo



## Finding #10 Additional Finding Photos



Finding 299280 Additional Photo

### 3rd Floor Community Room Unisex Restroom

Lat: 38.8293000000, Long: -104.8241000000

#### Finding: 11

The baby changing table is too high when folded down.

The tops of baby changing surfaces shall be 28 inches minimum and 34 inches maximum above the finish floor or ground.

*2010 ADAS Section 902.3*

*The tops of dining surfaces and work surfaces shall be 28 inches (710 mm) minimum and 34 inches (865 mm) maximum above the finish floor or ground.*

#### Citation:

2010 ADAS Section: 902.3

#### As Built:

39 inches above finish floor to the top of the table surface

#### Recommendation:

Lower baby changing station to meet the 27 inches minimum required under an element for knee clearance, 28 inches minimum to 34 inches maximum to the top of the table surface and not to exceed 48 inches maximum height to operable part measured from the finished floor.

#### Barrier Priority:

3 (Moderate): Should be completed as soon as possible, but there may be other items that will provide greater access to persons with disabilities. (Includes; Findings that have a high financial impact on the entity in relationship to the degree of access provided)

#### Department:

N/A

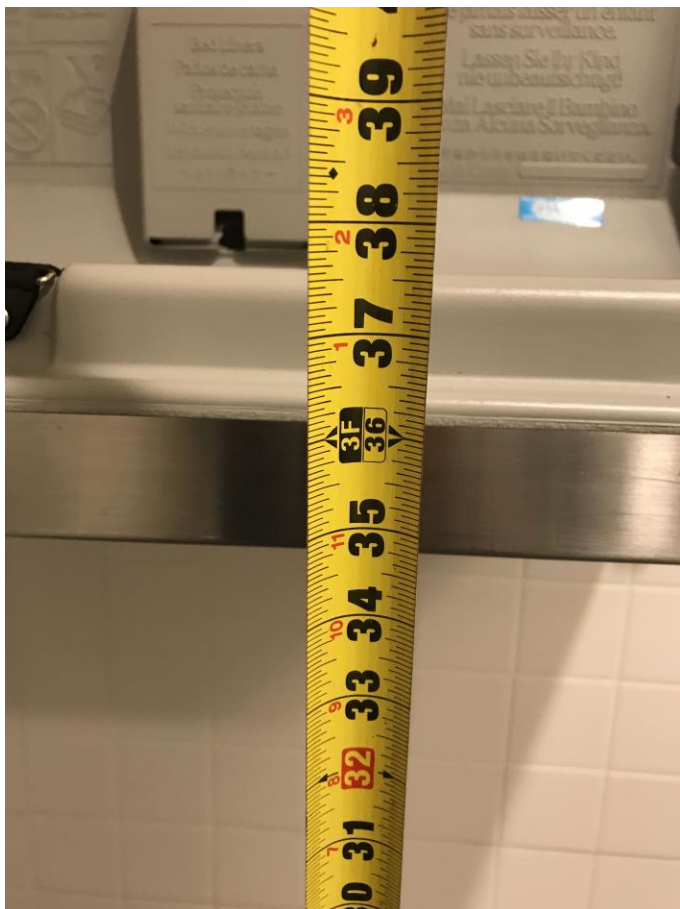
#### Estimated Remediation Date:

N/A

#### Notes:

N/A

### Finding #11 Continued



Finding 299281 Main Photo

## Finding #11 Additional Finding Photos



Finding 299281 Additional Photo

### 3rd Floor Community Room Unisex Restroom

Lat: 38.8292983000, Long: -104.8241210000

#### Finding: 12

Clear floor space is not provide at the tactile door sign.

Signs containing tactile Characters shall be located so that a clear floor space of 18 inches minimum by 18 inches minimum, centered on the tactile Characters, is provided beyond the arc of any door swing between the closed position and 45 degree open position.

*2010 ADAS Section 703.4.2*

*Where a tactile sign is provided at a door, the sign shall be located alongside the door at the latch side. Where a tactile sign is provided at double doors with one active leaf, the sign shall be located on the inactive leaf. Where a tactile sign is provided at double doors with two active leafs, the sign shall be located to the right of the right hand door. Where there is no wall space at the latch side of a single door or at the right side of double doors, signs shall be located on the nearest adjacent wall. Signs containing tactile characters shall be located so that a clear floor space of 18 inches (455 mm) minimum by 18 inches (455 mm) minimum, centered on the tactile characters, is provided beyond the arc of any door swing between the closed position and 45 degree open position.*

#### Citation:

2010 ADAS Section: 703.4.2

#### As Built:

Clear floor space is not provided beyond the arc of the door

#### Recommendation:

Re-position sign so that it is centered on a clear floor space of 18 inches by 18 inches minimum beyond the edge of the latch side of the door. Also, door sign may be installed on push side of door.

#### Barrier Priority:

3 (Moderate): Should be completed as soon as possible, but there may be other items that will provide greater access to persons with disabilities. (Includes; Findings that have a high financial impact on the entity in relationship to the degree of access provided)

#### Department:

N/A

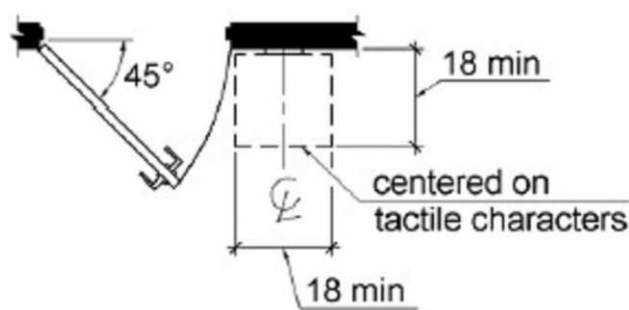
#### Estimated Remediation Date:

N/A

#### Notes:

N/A

Finding #12 Continued



Finding 299283 Main Photo



### 3rd Floor Community Room Unisex Restroom

Lat: 38.8292983000, Long: -104.8241210000

#### Finding: 13

The door exceeds the maximum pressure to open the door.

Interior doors shall have a maximum opening force of 5 pounds.

These forces do not apply to the force required to retract latch bolts or disengage other devices that hold the door or gate in a closed position. Door closers and gate closers shall be adjusted so that from an open position of 90 degrees, the time required to move the door to a position of 12 degrees from the latch is 5 seconds minimum.

Door and gate spring hinges shall be adjusted so that from the open position of 70 degrees, the door or gate shall move to the closed position in 1.5 seconds minimum.

*2010 ADAS Section 404.2.9*

*Fire doors shall have a minimum opening force allowable by the appropriate administrative authority. The force for pushing or pulling open a door or gate other than fire doors shall be as follows: 1. Interior hinged doors and gates: 5 pounds (22.2 N) maximum. 2. Sliding or folding doors: 5 pounds (22.2 N) maximum. These forces do not apply to the force required to retract latch bolts or disengage other devices that hold the door or gate in a closed position.*

#### Citation:

2010 ADAS Section: 404.2.9

#### As Built:

10 lbs of pressure  
required to open door

#### Recommendation:

Adjust door closer to 5 lbs. of pressure or less.

#### Barrier Priority:

3 (Moderate): Should be completed as soon as possible, but there may be other items that will provide greater access to persons with disabilities. (Includes; Findings that have a high financial impact on the entity in relationship to the degree of access provided)

#### Department:

N/A

#### Estimated Remediation Date:

N/A

#### Notes:

N/A

### Finding #13 Continued



Finding 299284 Main Photo

### 3rd Floor Bridge Staff and Public Entrance

Lat: 38.8293000000, Long: -104.8241000000

#### Finding: 14

Although automatic door openers are not required, it is highly recommended due to the amount of pedestrian traffic from staff. Also, a community room where public meetings and trainings are held is located on the 3rd floor.

2010 ADAS Section Recommended

None

#### Citation:

2010 ADAS Section: Recommended

#### As Built:

Extremely heavy exterior doors

#### Recommendation:

Install automatic door openers. One opener for exterior doors and one opener for interior doors.

#### Barrier Priority:

1 (High): Should be completed immediately. (Includes; Findings that have little or no cost, were in violation of the codes at the time of construction, or pose an imminent safety threat)

#### Department:

N/A

#### Estimated Remediation Date:

N/A

#### Notes:

N/A

CORRECTED

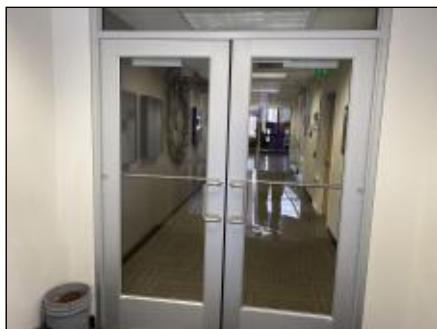
Finding #14 Continued



Finding 299595 Main Photo

CORRECTED

### Finding #14 Additional Finding Photos



Finding 299595 Additional Photo



Finding 299595 Additional Photo



Finding 299595 Additional Photo

CORRECTED