

# Site Accessibility Evaluation

## Americans with Disabilities Act Title II (Public Services: State and Local Government)



**Human Services 17 N.  
Spruce**

**17 N Spruce St  
Colorado Springs, CO  
80905**

**Accessibility Evaluation**

***Inspection Date: 04/08/2019***

***Inspector: David Mejia***

**Prepared By**



**(719) 520 - 6866**

**[www.elpasoco.com](http://www.elpasoco.com)**

## Parking Lot

Lat: 38.8351786000, Long: -104.8321048000

### Finding: 1

The striping and markings for the accessible parking stall's, loading/unloading access aisle are dilapidated and in need of repair and/or maintenance.

Access aisles shall be marked so as to discourage parking in them. Where parking spaces are marked with lines, width measurements of parking spaces and access aisles shall be made from the centerline of the markings.

*2010 ADAS Section 502.3.3*

*Access aisles shall be marked so as to discourage parking in them.*

#### Citation:

2010 ADAS Section: 502.3.3

#### As Built:

Access aisle and accessible parking stalls striping barely visible

#### Recommendation:

Re-stripe parking lot to include 2 accessible parking stalls, 2 van accessible parking stalls, van access aisle and the international symbol of accessibility on the accessible parking stalls.

#### Barrier Priority:

1 (High): Should be completed immediately. (Includes; Findings that have little or no cost, were in violation of the codes at the time of construction, or pose an imminent safety threat)

#### Department:

Department of Human Services

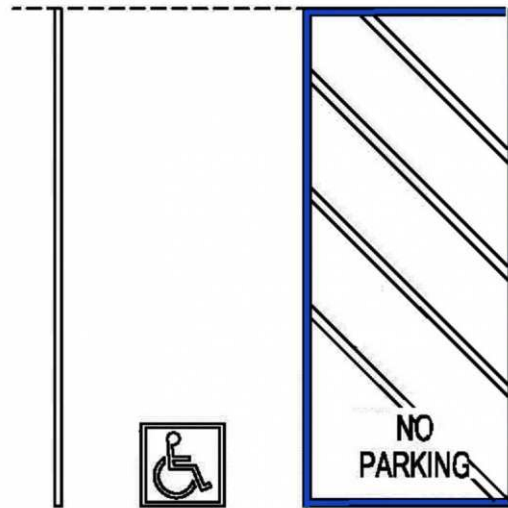
#### Estimated Remediation Date:

N/A

#### Notes:

Corrective Action: Work order # 461133 submitted on 5/2/19

Finding #1 Continued



CORRECTED

## Parking Lot

Lat: 38.8351786000, Long: -104.8321048000

### Finding: 2

The van stall is missing a sign identifying it as a van accessible stall.

Parking space identification signs shall include the International Symbol of Accessibility. Signs identifying van parking spaces shall contain the designation "van accessible."

*2010 ADAS Section 502.6*

*Parking space identification signs shall include the International Symbol of Accessibility complying with 703.7.2.1. Signs identifying van parking spaces shall contain the designation "van accessible." Signs shall be 60 inches (1525 mm) minimum above the finish floor or ground surface measured to the bottom of the sign.*

#### Citation:

2010 ADAS Section: 502.6

#### As Built:

Van accessible signage is missing

#### Recommendation:

Install 2 "van accessible" signs to include the International Symbol of Accessibility. Also, adjust all accessible parking signs to 60 inches minimum above the finish floor or ground to the bottom edge of the sign.

#### Barrier Priority:

1 (High): Should be completed immediately. (Includes; Findings that have little or no cost, were in violation of the codes at the time of construction, or pose an imminent safety threat)

#### Department:

Department of Human Services

#### Estimated Remediation Date:

N/A

#### Notes:

N/A

Finding #2 Continued



CORRECTED

## Parking Lot

Lat: 38.8351786000, Long: -104.8321048000

### Finding: 3

The shrub projects more than 4 inches into the exterior circulation path of travel.

*2010 ADAS Section 307.2*

*Objects with leading edges more than 27 inches (685 mm) and not more than 80 inches (2030 mm) above the finish floor or ground shall protrude 4 inches (100 mm) maximum horizontally into the circulation path.*

#### Citation:

2010 ADAS Section: 307.2

#### As Built:

Shrub protrudes into exterior circulation path

#### Recommendation:

Trim brush to meet ADA compliance.

#### Barrier Priority:

2 (Important): Should be completed as soon as possible. (Includes Findings that would remove barriers to the greatest number of people to your goods and services)

#### Department:

Department of Human Services

#### Estimated Remediation Date:

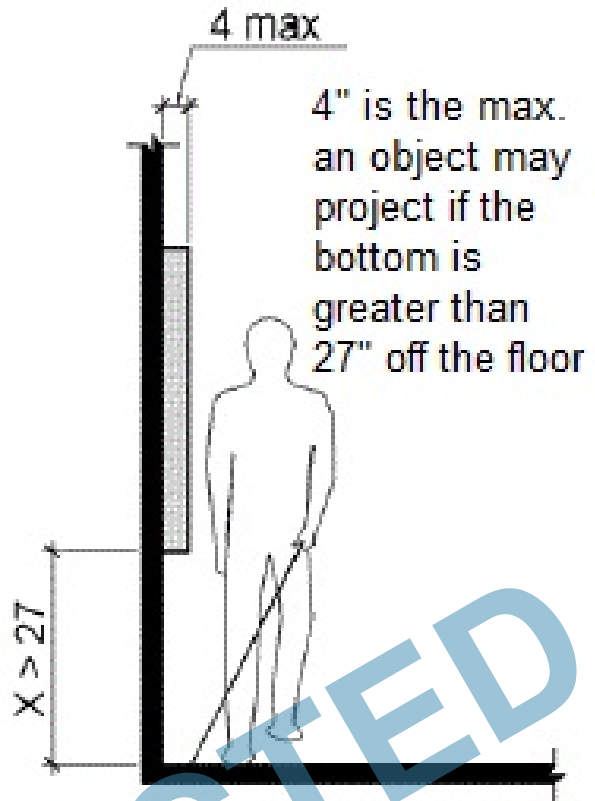
N/A

#### Notes:

Corrective action: Work order # 458711 submitted on 4/11/19. Work order completed in-house on 4/18/19

CORRECTED

Finding #3 Continued



CORRECTED

## Front Door Entrance

Lat: 38.8351786000, Long: -104.8321048000

### Finding: 4

Front entrance automatic door opener pushbuttons not functioning.

*2010 ADAS Section Recommended*

*None*

#### Citation:

2010 ADAS Section: Recommended

#### As Built:

Front door push plates  
malfunctioning /  
inoperable

#### Recommendation:

Inspect and replace if necessary both ADA push plates to the front entrance.

#### Barrier Priority:

1 (High): Should be completed immediately. (Includes; Findings that have little or no cost, were in violation of the codes at the time of construction, or pose an imminent safety threat)

#### Department:

N/A

#### Estimated Remediation Date:

N/A

#### Notes:

N/A

CORRECTED



**Finding #4 Continued**



Finding 289466 Main Photo

CORRECTED

**Finding #4 Additional Finding Photos**



Finding 289466 Additional Photo

CORRECTED

## Main Entrance Waiting Area

Lat: 38.8351786000, Long: -104.8321048000

### Finding: 5

The transaction counter is too high.

A portion of the counter surface that is 36 inches long minimum and 36 inches high maximum above the finish floor shall be provided. Knee and toe space must be provided for a forward approach. A 30 inch by 48 inch clear floor space on an accessible route must be provided for either a forward or parallel approach.

*2010 ADAS Section 904.4.1*

*A portion of the counter surface that is 36 inches (915 mm) long minimum and 36 inches (915 mm) high maximum above the finish floor shall be provided. A clear floor or ground space complying with 305 shall be positioned for a parallel approach adjacent to the 36 inch (915 mm) minimum length of counter.*

#### Citation:

2010 ADAS Section: 904.4.1

#### As Built:

42 inches high above  
finished floor

#### Recommendation:

Install new counter section that measures 36 inches maximum in height from the finish floor and lengthen that section of the counter to 36 inches minimum. A clear floor or ground space shall be provided for either a parallel or forward approach complying with section 305 and/or 306 respectively.

#### Barrier Priority:

2 (Important): Should be completed as soon as possible. (Includes; Findings that would remove barriers to the greatest number of people to your goods and services)

#### Department:

Department of Human Services

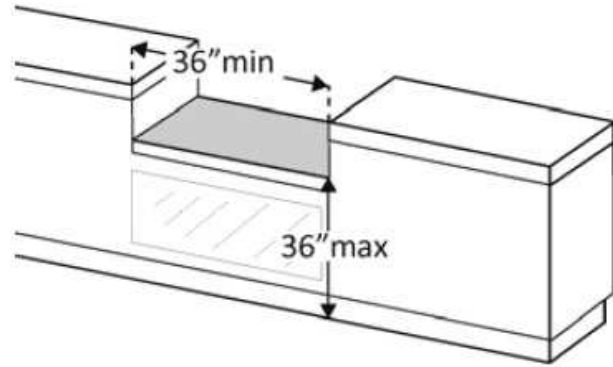
#### Estimated Remediation Date:

N/A

#### Notes:

N/A

Finding #5 Continued



Finding 289470 Main Photo

CORRECTED

**Finding #5 Additional Finding Photos**



Finding 289470 Additional Photo

CORRECTED

## Main Entrance Waiting Area

Lat: 38.8351786000, Long: -104.8321048000

### Finding: 6

The drinking fountain projects more than 4 inches into the circulation path.

Wall-mounted objects that have leading edges between 27 inches and 80 inches from the floor must not project more than 4 inches into the circulation path. Protruding objects that extend to the floor or within 27 inches of the floor are cane detectable and are therefore not hazardous. Where it is necessary or desirable to have objects protrude from the wall, a manner of cane detection must be provided.

*2010 ADAS Section 307.2*

*Objects with leading edges more than 27 inches (685 mm) and not more than 80 inches (2030 mm) above the finish floor or ground shall protrude 4 inches (100 mm) maximum horizontally into the circulation path.*

#### Citation:

2010 ADAS Section: 307.2

#### As Built:

Drinking fountain  
protrudes 19 inches  
from the wall

#### Recommendation:

Replace drinking fountain with new drinking fountain due to fountain skirt no longer manufactured.

#### Barrier Priority:

4 (Low): Should be completed as soon as possible due to being a technical violation, but may not result in providing greater access to persons with disabilities. (Includes; Findings that are technically violations but provide a moderate to low increase in accessibility compared to the financial impact on the entity)

#### Department:

Department of Human Services

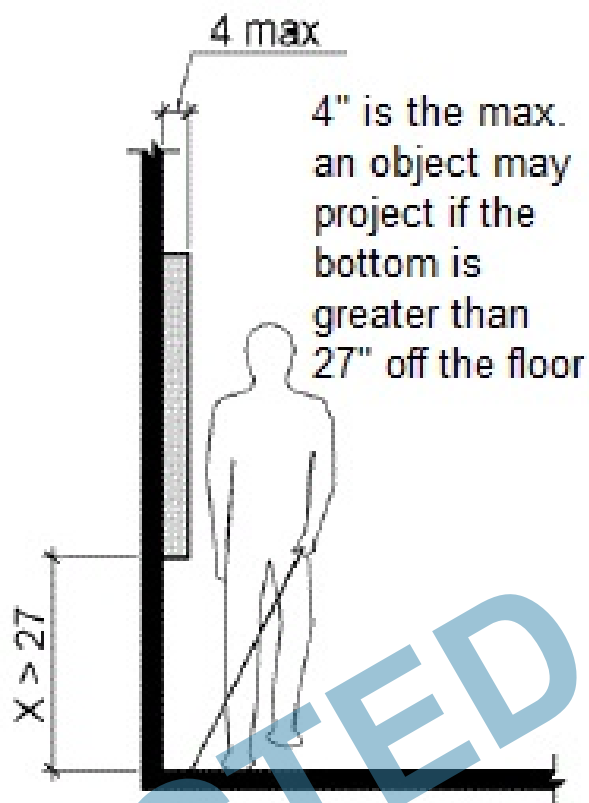
#### Estimated Remediation Date:

N/A

#### Notes:

Corrective Action: Work order #463262 submitted on 5/20/19

Finding #6 Continued



CORRECTED

**Finding #6 Additional Finding Photos**



Finding 289753 Additional Photo

CORRECTED



## Main Entrance Waiting Area

Lat: 38.8351786000, Long: -104.8321048000

### Finding: 7

Missing directional sign identifying location of accessible unisex restroom.

*2010 ADAS Section Recommended*

*None*

#### Citation:

2010 ADAS Section: Recommended

#### As Built:

No directional sign  
identifying accessible  
restroom

#### Recommendation:

Install a directional sign indicating accessible unisex restroom.

#### Barrier Priority:

3 (Moderate): Should be completed as soon as possible, but there may be other items that will provide greater access to persons with disabilities. (Includes; Findings that have a high financial impact on the entity in relationship to the degree of access provided)

#### Department:

N/A

#### Estimated Remediation Date:

N/A

#### Notes:

N/A

CORRECTED

Finding #7 Continued



CORRECTED

## Main Entrance Waiting Area

Lat: 38.8351786000, Long: -104.8321048000

### Finding: 8

The AED defibrillator projects more than 4 inches into the circulation path.

Wall-mounted objects that have leading edges between 27 inches and 80 inches from the floor must not project more than 4 inches into the circulation path. Protruding objects that extend to the floor or within 27 inches of the floor are cane detectable and are therefore not hazardous. Where it is necessary or desirable to have objects protrude from the wall, a manner of cane detection must be provided.

*2010 ADAS Section 307.2*

*Objects with leading edges more than 27 inches (685 mm) and not more than 80 inches (2030 mm) above the finish floor or ground shall protrude 4 inches (100 mm) maximum horizontally into the circulation path.*

#### Citation:

2010 ADAS Section: 307.2

#### As Built:

AED defibrillator enclosure protrudes 7.25 inches into circulation path

#### Recommendation:

Re-locate defibrillator to a maximum height of 27 inches from the bottom edge of the casing to the finished floor or recess defibrillator housing into wall and ensure casing protrusion is no more than 4 inches.

#### Barrier Priority:

3 (Moderate): Should be completed as soon as possible, but there may be other items that will provide greater access to persons with disabilities. (Includes; Findings that have a high financial impact on the entity in relationship to the degree of access provided)

#### Department:

N/A

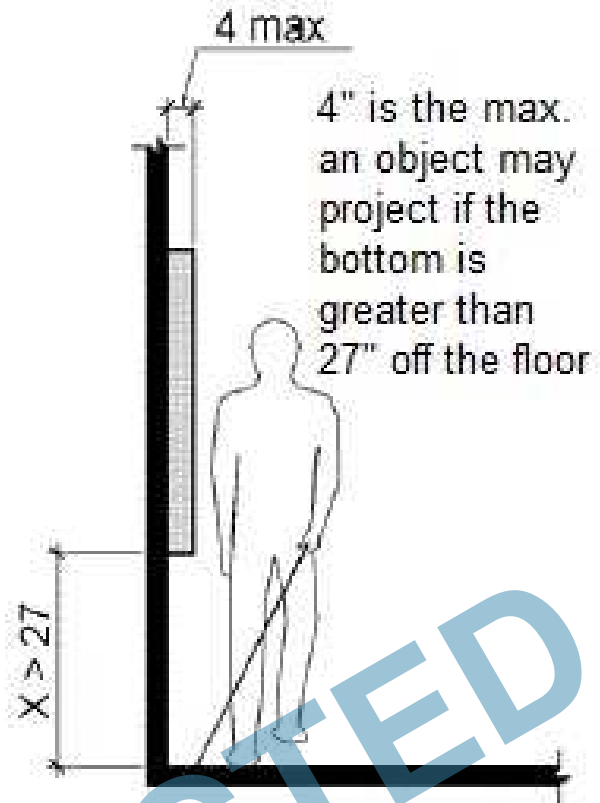
#### Estimated Remediation Date:

N/A

#### Notes:

N/A

Finding #8 Continued



CORRECTED

## 1st Floor Men's Restroom

Lat: 38.8351800000, Long: -104.8321000000

### Finding: 9

The paper towel dispenser's operation mechanism is too high off the floor.

Dispensers must have all operable parts a maximum of 48 inches above the floor.

*2010 ADAS Section 308.2.1*

*Where a forward reach is unobstructed, the high forward reach shall be 48 inches (1220 mm) maximum and the low forward reach shall be 15 inches (380 mm) minimum above the finish floor or ground.*

#### Citation:

2010 ADAS Section: 308.2.1

#### As Built:

Operable part is positioned at 53 inches above finished floor

#### Recommendation:

Lower paper towel dispenser a minimum of 6 inches.

#### Barrier Priority:

3 (Moderate): Should be completed as soon as possible, but there may be other items that will provide greater access to persons with disabilities. (Includes; Findings that have a high financial impact on the entity in relationship to the degree of access provided)

#### Department:

N/A

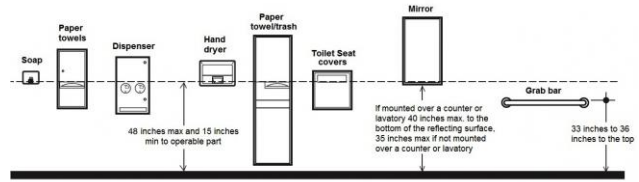
#### Estimated Remediation Date:

N/A

#### Notes:

Corrective Action: Work order #463266 submitted on 5/20/19

Finding #9 Continued



Finding 291399 Main Photo

CORRECTED

**Finding #9 Additional Finding Photos**



Finding 291399 Additional Photo

CORRECTED

## 1st Floor Men's Restroom

Lat: 38.8351786000, Long: -104.8321048000

### Finding: 10

The compartment door is not self closing.

The water closet compartment shall be equipped with a door that has an automatic-closing device.

2010 ADAS Section 604.8.1.2

Toilet compartment doors, including door hardware, shall comply with 404 except that if the approach is to the latch side of the compartment door, clearance between the door side of the compartment and any obstruction shall be 42 inches (1065 mm) minimum. Doors shall be located in the front partition or in the side wall or partition farthest from the water closet. Where located in the front partition, the door opening shall be 4 inches (100 mm) maximum from the side wall or partition farthest from the water closet. Where located in the side wall or partition, the door opening shall be 4 inches (100 mm) maximum from the front partition. The door shall be self-closing. A door pull complying with 404.2.7 shall be placed on both sides of the door near the latch. Toilet compartment doors shall not swing into the minimum required compartment area.

#### Citation:

2010 ADAS Section: 604.8.1.2

#### As Built:

Stall compartment  
door not self closing

#### Recommendation:

Re-adjust or replace door hinges to ensure door is self closing.

#### Barrier Priority:

3 (Moderate): Should be completed as soon as possible, but there may be other items that will provide greater access to persons with disabilities. (Includes; Findings that have a high financial impact on the entity in relationship to the degree of access provided)

#### Department:

N/A

#### Estimated Remediation Date:

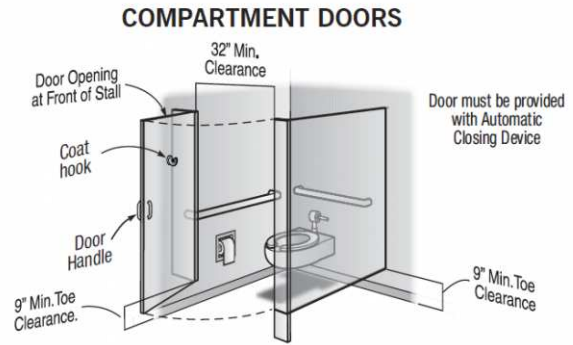
N/A

#### Notes:

N/A



Finding #10 Continued



Finding 297197 Main Photo

CORRECTED

## 1st Floor Men's Restroom

Lat: 38.8351786000, Long: -104.8321048000

### Finding: 11

The water closet compartment door is missing a loop handle on the outside.

Water closet compartments must be equipped with a door that has a loop or U-shaped handle on both sides of the door immediately below the latch. The latch must be flip-over style, sliding or other hardware not requiring the user to grasp or twist.

2010 ADAS Section 604.8.1.2

Toilet compartment doors, including door hardware, shall comply with 404 except that if the approach is to the latch side of the compartment door, clearance between the door side of the compartment and any obstruction shall be 42 inches (1065 mm) minimum. Doors shall be located in the front partition or in the side wall or partition farthest from the water closet. Where located in the front partition, the door opening shall be 4 inches (100 mm) maximum from the side wall or partition farthest from the water closet. Where located in the side wall or partition, the door opening shall be 4 inches (100 mm) maximum from the front partition. The door shall be self-closing. A door pull complying with 404.2.7 shall be placed on both sides of the door near the latch. Toilet compartment doors shall not swing into the minimum required compartment area.

#### Citation:

2010 ADAS Section: 604.8.1.2

#### As Built:

Missing loop handle on the outside of compartment door

#### Recommendation:

Install loop handle on outside of door no greater 48 inches maximum above finished floor. Between 36 - 40 inches preferred.

#### Barrier Priority:

3 (Moderate): Should be completed as soon as possible, but there may be other items that will provide greater access to persons with disabilities. (Includes; Findings that have a high financial impact on the entity in relationship to the degree of access provided)

#### Department:

N/A

#### Estimated Remediation Date:

N/A

#### Notes:

N/A

**Finding #11 Continued**



Finding 297198 Main Photo

CORRECTED

## 1st Floor Men's Restroom

Lat: 38.8351786000, Long: -104.8321048000

### Finding: 12

The paper towel dispenser projects more than 4 inches into the circulation path.

Wall-mounted objects that have leading edges between 27 inches and 80 inches from the floor must not project more than 4 inches into the circulation path. Protruding objects that extend to the floor or within 27 inches of the floor are cane detectable and are therefore not hazardous. Where it is necessary or desirable to have objects protrude from the wall, a manner of cane detection must be provided.

*2010 ADAS Section 307.2*

*Objects with leading edges more than 27 inches (685 mm) and not more than 80 inches (2030 mm) above the finish floor or ground shall protrude 4 inches (100 mm) maximum horizontally into the circulation path.*

#### Citation:

2010 ADAS Section: 307.2

#### As Built:

Paper towel dispenser  
protrudes 9.5 inches  
into circulation path

#### Recommendation:

Re-locate paper towel dispenser near lavatory and ensure operable part is no greater than 48 inches above finished floor.

#### Barrier Priority:

3 (Moderate): Should be completed as soon as possible, but there may be other items that will provide greater access to persons with disabilities. (Includes; Findings that have a high financial impact on the entity in relationship to the degree of access provided)

#### Department:

N/A

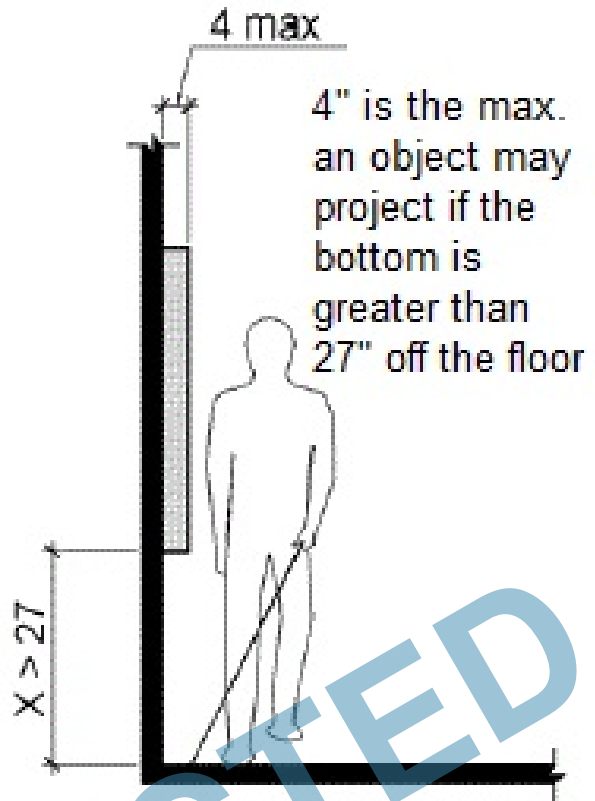
#### Estimated Remediation Date:

N/A

#### Notes:

N/A

Finding #12 Continued



Finding 297199 Main Photo

CORRECTED

## 1st Floor Men's Restroom

Lat: 38.8351786000, Long: -104.8321048000

### Finding: 13

The apron at the sink projects too low to the floor.

The vertical clearance measured from the bottom of the apron or the outside bottom edge of the lavatory must be 27 inches at a point located 8 inches back from the front edge.

*2010 ADAS Section 306.3.1*

*Space under an element between 9 inches (230 mm) and 27 inches (685 mm) above the finish floor or ground shall be considered knee clearance and shall comply with 306.3.*

#### Citation:

2010 ADAS Section: 306.3.1

#### As Built:

26.5 inches above  
finished floor

#### Recommendation:

Adjust or replace apron underneath lavatory to measure no less than 27 inches.

#### Barrier Priority:

3 (Moderate): Should be completed as soon as possible, but there may be other items that will provide greater access to persons with disabilities. (Includes; Findings that have a high financial impact on the entity in relationship to the degree of access provided)

#### Department:

N/A

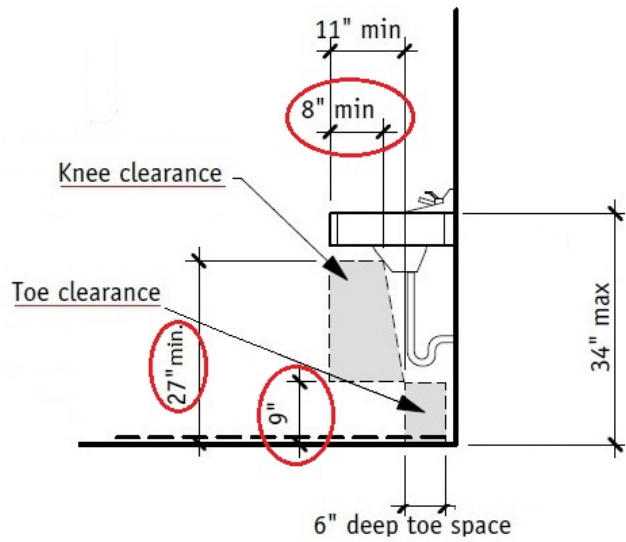
#### Estimated Remediation Date:

N/A

#### Notes:

N/A

Finding #13 Continued



Finding 297200 Main Photo

## 1st Floor Men's Restroom

Lat: 38.8351786000, Long: -104.8321048000

### Finding: 14

The rim of the urinal is too high.

Wall-hung urinals must be provided with an elongated rim projecting a minimum of 13 1/2 inches from the wall and a maximum of 17 inches above the floor.

*2010 ADAS Section 605.2*

*Urinals shall be the stall-type or the wall-hung type with the rim 17 inches (430 mm) maximum above the finish floor or ground. Urinals shall be 13 1/2 inches (345 mm) deep minimum measured from the outer face of the urinal rim to the back of the fixture.*

#### Citation:

2010 ADAS Section: 605.2

#### As Built:

17.5 inches above  
finished floor

#### Recommendation:

Lower urinal to ensure a maximum height of 17 inches above finished floor. May require plumbing alteration.

#### Barrier Priority:

3 (Moderate): Should be completed as soon as possible, but there may be other items that will provide greater access to persons with disabilities. (Includes; Findings that have a high financial impact on the entity in relationship to the degree of access provided)

#### Department:

N/A

#### Estimated Remediation Date:

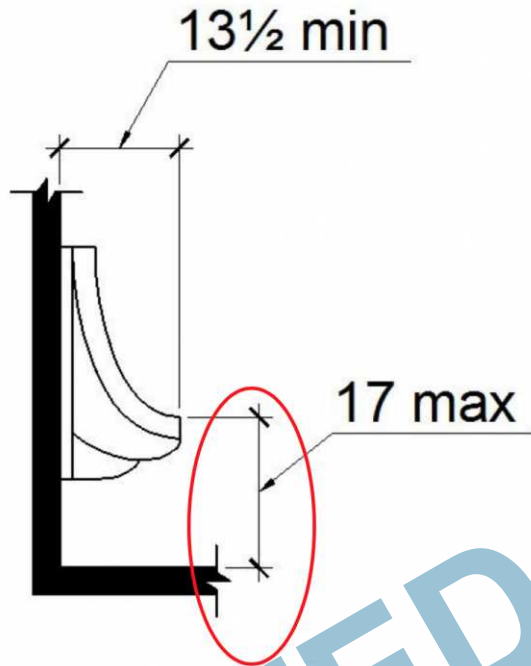
N/A

#### Notes:

N/A



Finding #14 Continued



Finding 297201 Main Photo

CORRECTED

## 1st Floor Men's Restroom

Lat: 38.8351786000, Long: -104.8321048000

### Finding: 15

The urinal is located in an area that does not provide the required clear floor space for a front approach.

The surrounding elements of a urinal must provide a minimum of 30 by 48 inches of clear floor space for a front approach.

2010 ADAS Section 605.3

A clear floor or ground space complying with 305 positioned for forward approach shall be provided.

#### Citation:

2010 ADAS Section: 605.3

#### As Built:

Urinal area only 27.5 inches wide

#### Recommendation:

If space allows, re-adjust surrounding partition to provide the minimum width clearance of 30 inches.

#### Barrier Priority:

3 (Moderate): Should be completed as soon as possible, but there may be other items that will provide greater access to persons with disabilities. (Includes; Findings that have a high financial impact on the entity in relationship to the degree of access provided)

#### Department:

N/A

#### Estimated Remediation Date:

N/A

#### Notes:

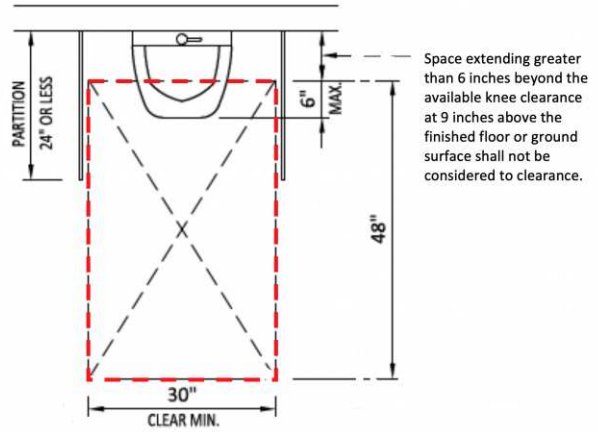
N/A

CORRECTED

Finding #15 Continued



Finding 297202 Main Photo



URINAL CLEAR SPACE  
PARTITION 24" OR LESS

CORRECTED

**Finding #15 Additional Finding Photos**



Finding 297202 Additional Photo

CORRECTED

## 1st Floor Men's Restroom

Lat: 38.8351786000, Long: -104.8321048000

### Finding: 16

The baby changing table operating mechanism is outside reach range.

The maximum high reach allowed is 48 inches

*2010 ADAS Section 308.3.1*

*Where a clear floor or ground space allows a parallel approach to an element and the side reach is unobstructed, the high side reach shall be 48 inches (1220 mm) maximum and the low side reach shall be 15 inches (380 mm) minimum above the finish floor or ground.*

**Citation:**

2010 ADAS Section: 308.3.1

**As Built:**

51.75 inches above finished floor

**Recommendation:**

Lower baby changing station 4 inches to meet ADA compliance.

**Barrier Priority:**

3 (Moderate): Should be completed as soon as possible, but there may be other items that will provide greater access to persons with disabilities. (Includes; Findings that have a high financial impact on the entity in relationship to the degree of access provided)

**Department:**

N/A

**Estimated Remediation Date:**

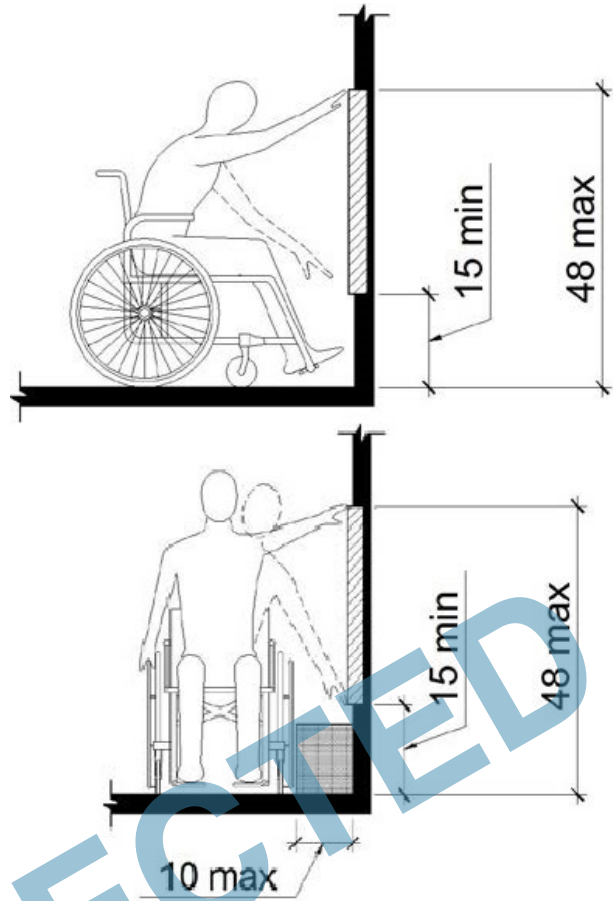
N/A

**Notes:**

N/A

CORRECTED

Finding #16 Continued



Finding 297203 Main Photo

CORRECTED

## 1st Floor Men's Restroom

Lat: 38.8351786000, Long: -104.8321048000

### Finding: 17

The water and drain pipes under the lavatory are not adequately insulated.

Water supply and drain pipes under lavatories and sinks shall be insulated or otherwise configured to protect against contact. There shall be no sharp or abrasive surfaces under lavatories and sinks.

*2010 ADAS Section 606.5*

*Water supply and drain pipes under lavatories and sinks shall be insulated or otherwise configured to protect against contact. There shall be no sharp or abrasive surfaces under lavatories and sinks.*

#### Citation:

2010 ADAS Section: 606.5

#### As Built:

Missing drain pipe insulation

#### Recommendation:

Insulate drain pipes underneath lavatory.

#### Barrier Priority:

3 (Moderate): Should be completed as soon as possible, but there may be other items that will provide greater access to persons with disabilities. (Includes; Findings that have a high financial impact on the entity in relationship to the degree of access provided)

#### Department:

N/A

#### Estimated Remediation Date:

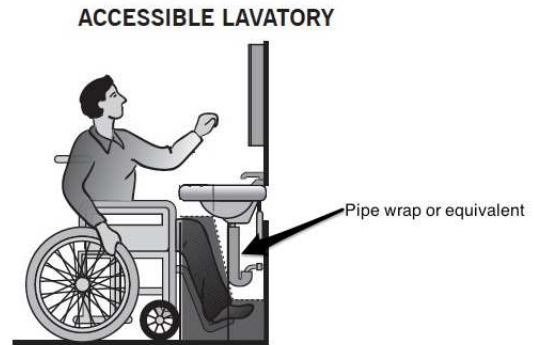
N/A

#### Notes:

N/A

CORRECTED

Finding #17 Continued



Finding 297204 Main Photo

CORRECTED



## 1st Floor Men's Restroom

Lat: 38.8351786000, Long: -104.8321048000

### Finding: 18

The flush handle is located on the wrong side of the toilet.

Controls shall be operable with one hand and shall not require tight grasping, pinching or twisting. Controls for the flush valves shall be mounted on the wide side of toilet areas, no more than 48 inches above the floor.

2010 ADAS Section 604.6

Flush controls shall be hand operated or automatic. Hand operated flush controls shall comply with 309. Flush controls shall be located on the open side of the water closet except in ambulatory accessible compartments complying with 604.8.2.

#### Citation:

2010 ADAS Section: 604.6

#### As Built:

Flush handle on wall side

#### Recommendation:

Replace toilet water tank with one that has flush handle on the opposite side (open side of toilet area).

#### Barrier Priority:

3 (Moderate): Should be completed as soon as possible, but there may be other items that will provide greater access to persons with disabilities. (Includes; Findings that have a high financial impact on the entity in relationship to the degree of access provided)

#### Department:

N/A

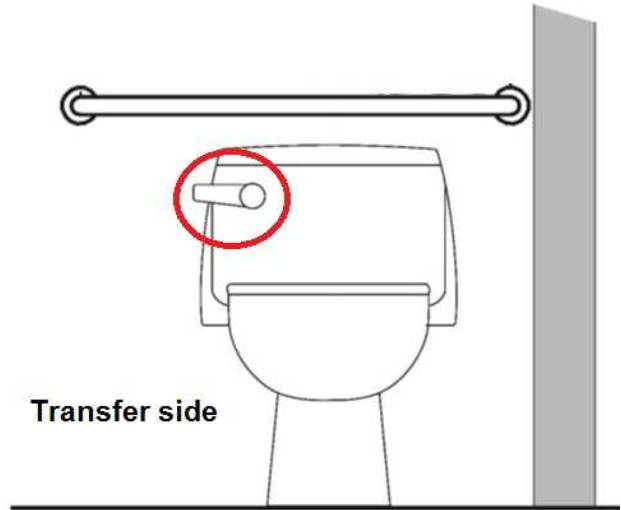
#### Estimated Remediation Date:

N/A

#### Notes:

N/A

Finding #18 Continued



Finding 297205 Main Photo

CORRECTED

## 1st Floor Men's Restroom

Lat: 38.8351800000, Long: -104.8321000000

### Finding: 19

The side grab bar is located greater than 12 inches from the rear wall.

The side grab bar must extend at least 54 inches minimum beyond the rear wall and start a maximum of 12 inches from the rear wall. A 42 inch grab bar installed the maximum distance from the rear wall (12 inches) will leave the leading end 54 inches from the rear wall. Grab bars shall be installed in a horizontal position, 33 inches minimum and 36 inches maximum above the finish floor measured to the top of the gripping surface.

*2010 ADAS Section 604.5.1*

*The side wall grab bar shall be 42 inches (1065 mm) long minimum, located 12 inches (305 mm) maximum from the rear wall and extending 54 inches (1370 mm) minimum from the rear wall.*

#### Citation:

2010 ADAS Section: 604.5.1

#### As Built:

Side grab bar at 13.5 inches from rear wall

#### Recommendation:

Adjust side grab bar not to exceed 12 inches from rear wall measured to the centerline of the grab bar. Side grab bar must be 42 inches minimum in length and extend at least 54 inches minimum beyond the rear wall measured to the centerline of the grab bar.

#### Barrier Priority:

3 (Moderate): Should be completed as soon as possible, but there may be other items that will provide greater access to persons with disabilities. (Includes; Findings that have a high financial impact on the entity in relationship to the degree of access provided)

#### Department:

N/A

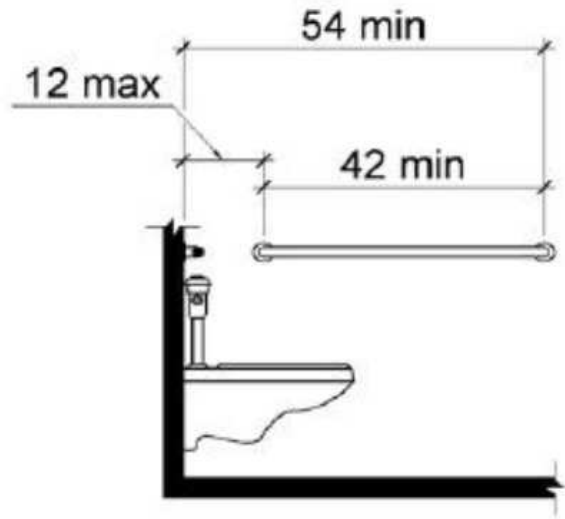
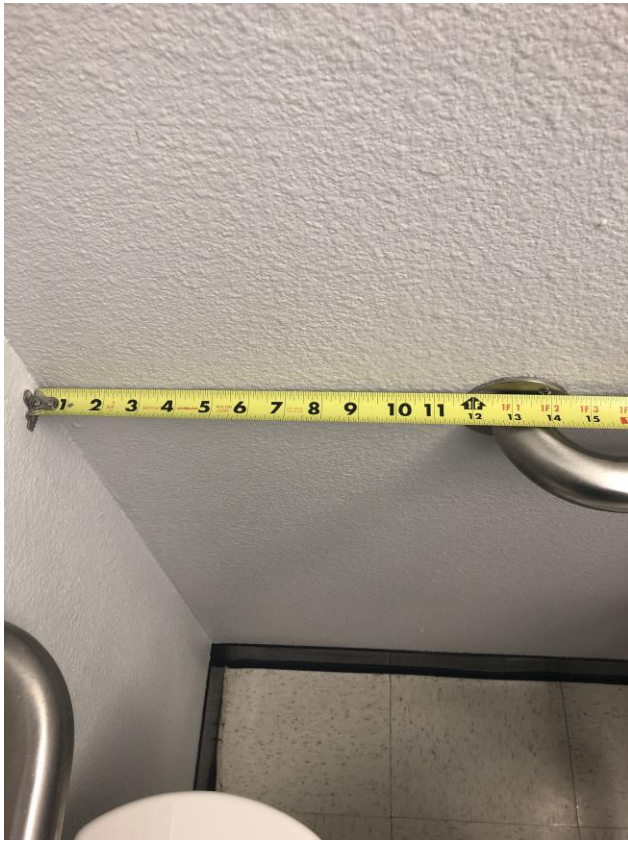
#### Estimated Remediation Date:

N/A

#### Notes:

Corrective Action: Work order #463265 submitted on 5/20/19

Finding #19 Continued



Finding 291395 Main Photo

CORRECTED

## 1st Floor Men's Restroom

Lat: 38.8351800000, Long: -104.8321000000

### Finding: 20

The side grab bar is too high.

Grab bars shall be installed in a horizontal position, 33 inches minimum and 36 inches maximum above the finish floor measured to the top of the gripping surface and the space between the grab bar and the top of the tank shall be 1-1/2 inches minimum.

*2010 ADAS Section 609.4*

*Grab bars shall be installed in a horizontal position, 33 inches (840 mm) minimum and 36 inches (915 mm) maximum above the finish floor measured to the top of the gripping surface, except that at water closets for children's use complying with 604.9, grab bars shall be installed in a horizontal position 18 inches (455 mm) minimum and 27 inches (685 mm) maximum above the finish floor measured to the top of the gripping surface. The height of the lower grab bar on the back wall of a bathtub shall comply with 607.4.1.1 or 607.4.2.1.*

#### Citation:

2010 ADAS Section: 609.4

#### As Built:

Side grab bar at 37 inches

#### Recommendation:

Re-position grab bar to measure between 33 inches minimum and 36 inches maximum above the finished floor measured to the top of the gripping surface.

#### Barrier Priority:

3 (Moderate): Should be completed as soon as possible, but there may be other items that will provide greater access to persons with disabilities. (Includes; Findings that have a high financial impact on the entity in relationship to the degree of access provided)

#### Department:

N/A

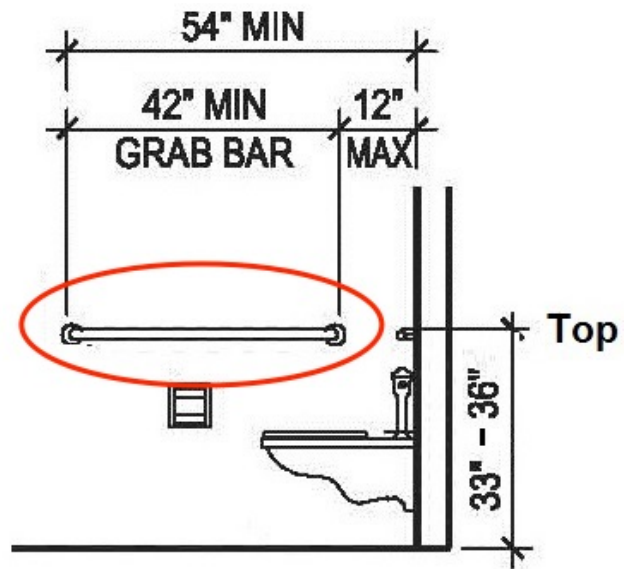
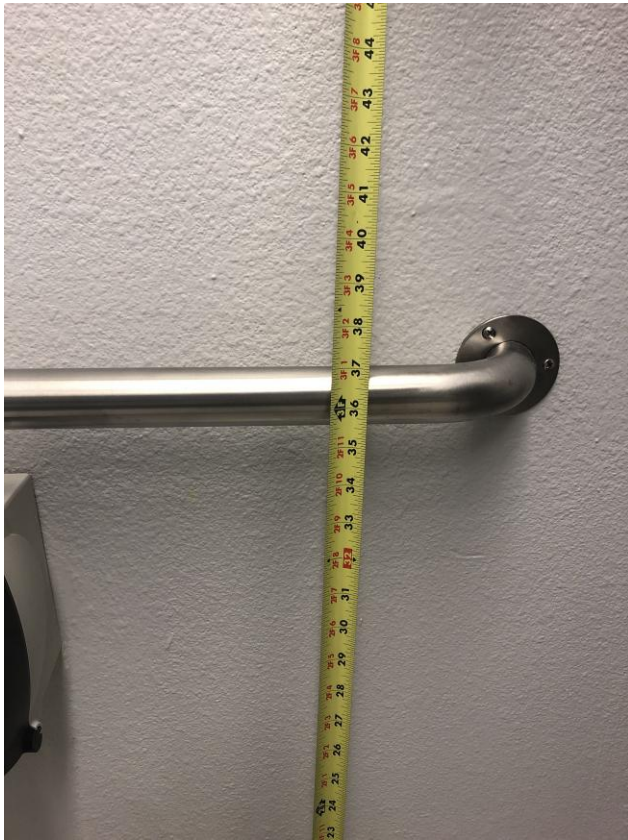
#### Estimated Remediation Date:

N/A

#### Notes:

Corrective Action: Work order #463265 submitted on 5/20/19

Finding #20 Continued



Finding 291396 Main Photo

CORRECTED

**Finding #20 Additional Finding Photos**



Finding 291396 Additional Photo

CORRECTED

## 1st Floor Men's Restroom

Lat: 38.8351800000, Long: -104.8321000000

### Finding: 21

The rear grab bar does not extend adequately past the centerline of the toilet on the wall side.

The rear grab bar must be a minimum of 36 inches long and extend from the centerline of the toilet 12 inches minimum on one side and 24 inches minimum on the other side.

Grab bars shall be installed in a horizontal position, 33 inches minimum and 36 inches maximum above the finish floor measured to the top of the gripping surface and the space between the grab bar and the top of the tank shall be 1-1/2 inches minimum.

*2010 ADAS Section 604.5.2*

*The rear wall grab bar shall be 36 inches (915 mm) long minimum and extend from the centerline of the water closet 12 inches (305 mm) minimum on one side and 24 inches (610 mm) minimum on the other side.*

#### Citation:

2010 ADAS Section: 604.5.2

#### As Built:

Rear grab bar centered  
at 11 inches

#### Recommendation:

Re-position rear grab bar to extend from the centerline of the toilet 12 inches minimum to the wall side and 24 inches minimum to the transfer/open side.

#### Barrier Priority:

3 (Moderate): Should be completed as soon as possible, but there may be other items that will provide greater access to persons with disabilities. (Includes; Findings that have a high financial impact on the entity in relationship to the degree of access provided)

#### Department:

N/A

#### Estimated Remediation Date:

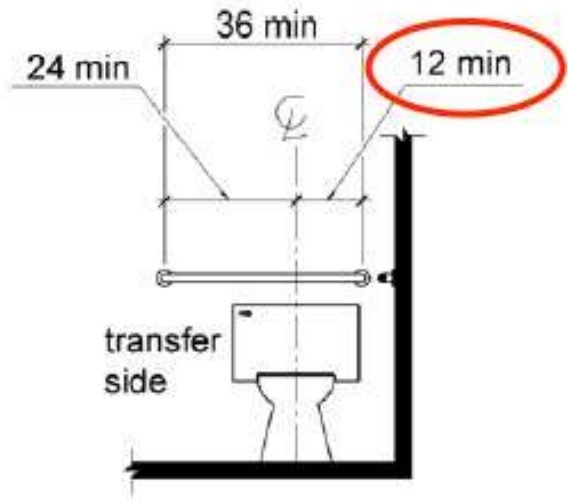
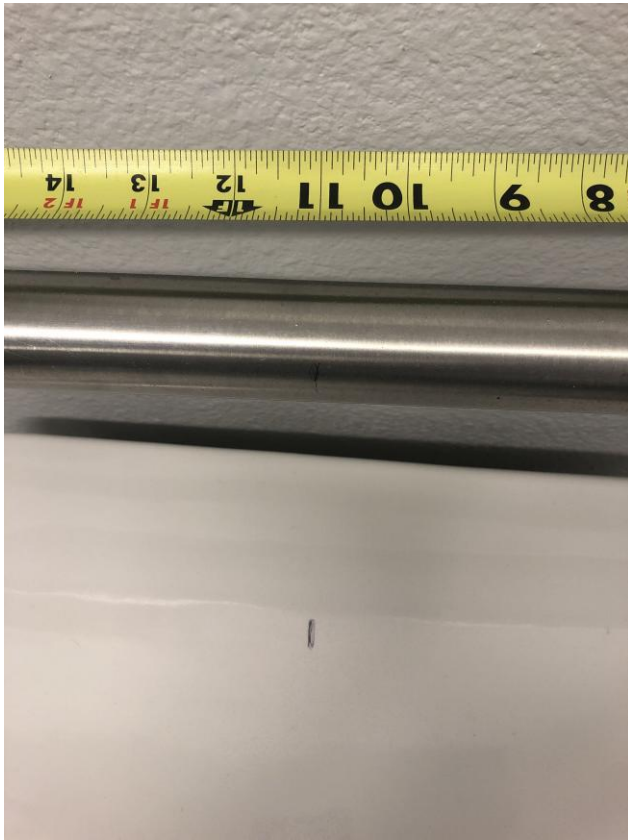
N/A

#### Notes:

Corrective Action: Work order #463265 submitted on 5/20/19



Finding #21 Continued



Finding 291397 Main Photo

CORRECTED

**Finding #21 Additional Finding Photos**



Finding 291397 Additional Photo

CORRECTED

## 1st Floor Men's Restroom

Lat: 38.8351800000, Long: -104.8321000000

### Finding: 22

The rear grab bar is too high.

Grab bars shall be installed in a horizontal position, 33 inches minimum and 36 inches maximum above the finish floor measured to the top of the gripping surface and the space between the grab bar and the top of the tank shall be 1-1/2 inches minimum.

*2010 ADAS Section 609.4*

*Grab bars shall be installed in a horizontal position, 33 inches (840 mm) minimum and 36 inches (915 mm) maximum above the finish floor measured to the top of the gripping surface, except that at water closets for children's use complying with 604.9, grab bars shall be installed in a horizontal position 18 inches (455 mm) minimum and 27 inches (685 mm) maximum above the finish floor measured to the top of the gripping surface. The height of the lower grab bar on the back wall of a bathtub shall comply with 607.4.1.1 or 607.4.2.1.*

#### Citation:

2010 ADAS Section: 609.4

#### As Built:

Side grab bar at 36.5 inches

#### Recommendation:

Re-position grab bar to measure between 33 inches minimum and 36 inches maximum above the finished floor measured to the top of the gripping surface.

#### Barrier Priority:

3 (Moderate): Should be completed as soon as possible, but there may be other items that will provide greater access to persons with disabilities. (Includes; Findings that have a high financial impact on the entity in relationship to the degree of access provided)

#### Department:

N/A

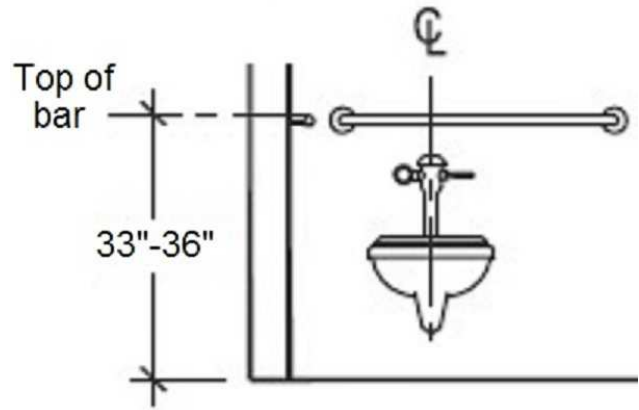
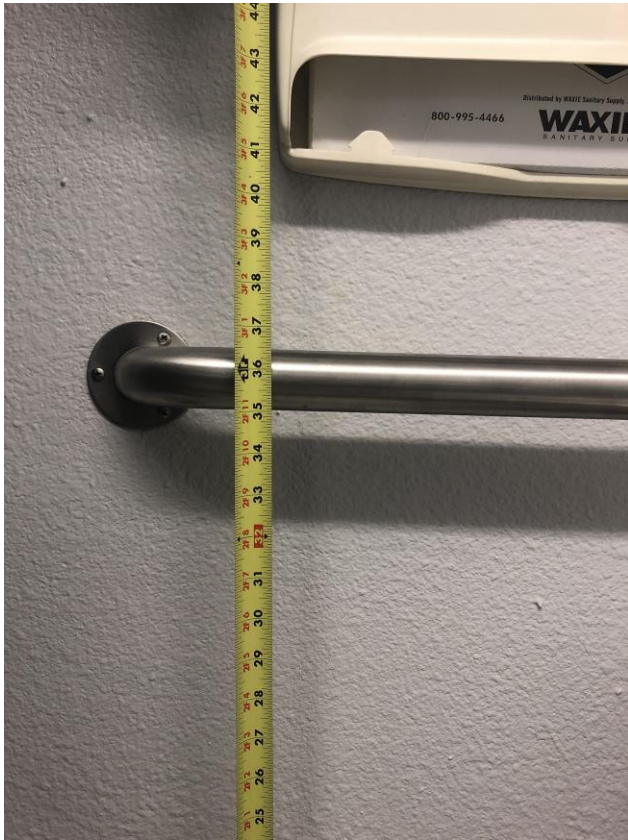
#### Estimated Remediation Date:

N/A

#### Notes:

Corrective Action: Work order #463265 submitted on 5/20/19

Finding #22 Continued



Finding 291398 Main Photo

CORRECTED

**Finding #22 Additional Finding Photos**



Finding 291398 Additional Photo

CORRECTED

## 1st Floor Men's Restroom

Lat: 38.8351800000, Long: -104.8321000000

### Finding: 23

The grab bar is not spaced correctly to the wall or other elements.

The space between the wall and the grab bar shall be 1 1/2 inches. Adjacent elements shall be positioned to provide unobstructed use of grab bars. The space between the grab bar and projecting objects below and at the ends shall be 1-1/2 inches minimum. The space between the grab bar and projecting objects above shall be 12 inches minimum.

*2010 ADAS Section 609.3*

*The space between the wall and the grab bar shall be 1 1/2 inches (38 mm). The space between the grab bar and projecting objects below and at the ends shall be 1 1/2 inches (38 mm) minimum. The space between the grab bar and projecting objects above shall be 12 inches (305 mm) minimum.*

#### Citation:

2010 ADAS Section: 609.3

#### As Built:

Sanitary dispenser at 5 inches above side grab bar

#### Recommendation:

Relocate seat cover dispenser to have operable part between 15 inches minimum and 48 inches maximum above floor. May require relocation below rear or side grab bar at 1.5 inches minimum clearance below grab bar to meet compliance.

#### Barrier Priority:

3 (Moderate): Should be completed as soon as possible, but there may be other items that will provide greater access to persons with disabilities. (Includes; Findings that have a high financial impact on the entity in relationship to the degree of access provided)

#### Department:

N/A

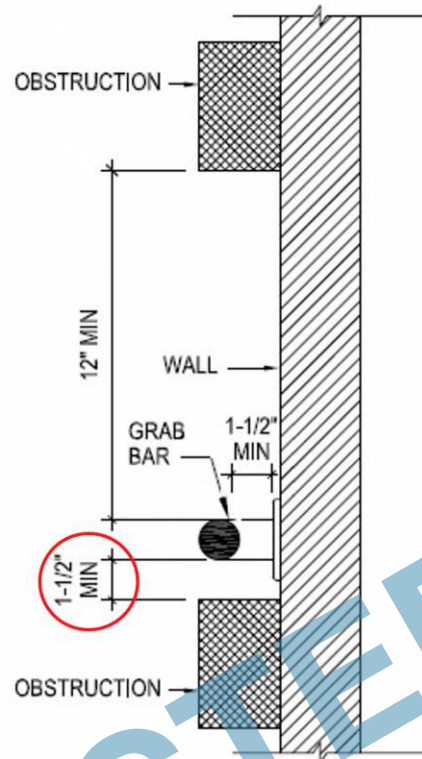
#### Estimated Remediation Date:

N/A

#### Notes:

Corrective Action: Work order #463263 submitted on 5/20/19

Finding #23 Continued



Finding 291394 Main Photo

CORRECTED

## **1st Floor Women's Restroom**

**Lat: 38.8351786000, Long: -104.8321048000**

### **Finding: 24**

The door exceeds the maximum pressure to open the door.

Interior doors shall have a maximum opening force of 5 pounds.

These forces do not apply to the force required to retract latch bolts or disengage other devices that hold the door or gate in a closed position. Door closers and gate closers shall be adjusted so that from an open position of 90 degrees, the time required to move the door to a position of 12 degrees from the latch is 5 seconds minimum.

Door and gate spring hinges shall be adjusted so that from the open position of 70 degrees, the door or gate shall move to the closed position in 1.5 seconds minimum.

*2010 ADAS Section 404.2.9*

*Fire doors shall have a minimum opening force allowable by the appropriate administrative authority. The force for pushing or pulling open a door or gate other than fire doors shall be as follows: 1. Interior hinged doors and gates: 5 pounds (22.2 N) maximum. 2. Sliding or folding doors: 5 pounds (22.2 N) maximum. These forces do not apply to the force required to retract latch bolts or disengage other devices that hold the door or gate in a closed position.*

#### **Citation:**

2010 ADAS Section: 404.2.9

#### **As Built:**

12 lbs of pressure  
required to open door

#### **Recommendation:**

Adjust door closer to 5 lbs of pressure or less.

#### **Barrier Priority:**

3 (Moderate): Should be completed as soon as possible, but there may be other items that will provide greater access to persons with disabilities. (Includes; Findings that have a high financial impact on the entity in relationship to the degree of access provided)

#### **Department:**

N/A

#### **Estimated Remediation Date:**

N/A

#### **Notes:**

N/A



**Finding #24 Continued**



Finding 297206 Main Photo

CORRECTED

## 1st Floor Women's Restroom

Lat: 38.8351786000, Long: -104.8321048000

### Finding: 25

The water closet compartment door is missing a loop handle on the outside.

Water closet compartments must be equipped with a door that has a loop or U-shaped handle on both sides of the door immediately below the latch. The latch must be flip-over style, sliding or other hardware not requiring the user to grasp or twist.

2010 ADAS Section 604.8.1.2

Toilet compartment doors, including door hardware, shall comply with 404 except that if the approach is to the latch side of the compartment door, clearance between the door side of the compartment and any obstruction shall be 42 inches (1065 mm) minimum. Doors shall be located in the front partition or in the side wall or partition farthest from the water closet. Where located in the front partition, the door opening shall be 4 inches (100 mm) maximum from the side wall or partition farthest from the water closet. Where located in the side wall or partition, the door opening shall be 4 inches (100 mm) maximum from the front partition. The door shall be self-closing. A door pull complying with 404.2.7 shall be placed on both sides of the door near the latch. Toilet compartment doors shall not swing into the minimum required compartment area.

#### Citation:

2010 ADAS Section: 604.8.1.2

#### As Built:

Missing loop handle on the outside of compartment door

#### Recommendation:

Install loop handle on outside of door.

#### Barrier Priority:

3 (Moderate): Should be completed as soon as possible, but there may be other items that will provide greater access to persons with disabilities. (Includes; Findings that have a high financial impact on the entity in relationship to the degree of access provided)

#### Department:

N/A

#### Estimated Remediation Date:

N/A

#### Notes:

N/A

Finding #25 Continued



Finding 297207 Main Photo

CORRECTED

## 1st Floor Women's Restroom

Lat: 38.8351786000, Long: -104.8321048000

### Finding: 26

The toilet seat cover dispenser is mounted too high.

Dispensers must have operable parts a maximum of 48 inches above the floor. Toilet seat covers must be on an accessible route. An accessible route of travel is 36 inches wide minimum and provides a 30 inch by 48 inch clear floor space that allows a side or forward approach.

2010 ADAS Section 308.1  
Reach ranges shall comply with 308.

#### Citation:

2010 ADAS Section: 308.1

#### As Built:

52.5 inches above  
finished floor

#### Recommendation:

Relocate paper towel dispenser to have operable part between 15 inches minimum and 48 inches maximum above floor. May require relocation below grab bar at 1.5 inches minimum clearance below grab bar to meet compliance.

#### Barrier Priority:

3 (Moderate): Should be completed as soon as possible, but there may be other items that will provide greater access to persons with disabilities. (Includes; Findings that have a high financial impact on the entity in relationship to the degree of access provided)

#### Department:

N/A

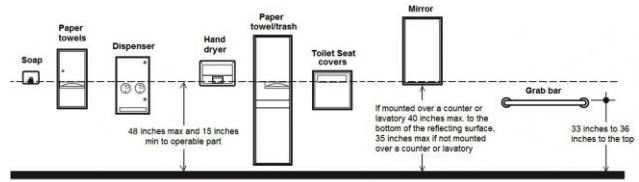
#### Estimated Remediation Date:

N/A

#### Notes:

N/A

Finding #26 Continued



Finding 297210 Main Photo

CORRECTED

## 1st Floor Women's Restroom

Lat: 38.8351786000, Long: -104.8321048000

### Finding: 27

The apron at the sink projects too low to the floor.

The vertical clearance measured from the bottom of the apron or the outside bottom edge of the lavatory must be 27 inches at a point located 8 inches back from the front edge.

*2010 ADAS Section 306.3.1*

*Space under an element between 9 inches (230 mm) and 27 inches (685 mm) above the finish floor or ground shall be considered knee clearance and shall comply with 306.3.*

#### Citation:

2010 ADAS Section: 306.3.1

#### As Built:

26.75 inches above finished

#### Recommendation:

Adjust or replace apron underneath lavatory to measure no less than 27 inches.

#### Barrier Priority:

3 (Moderate): Should be completed as soon as possible, but there may be other items that will provide greater access to persons with disabilities. (Includes; Findings that have a high financial impact on the entity in relationship to the degree of access provided)

#### Department:

N/A

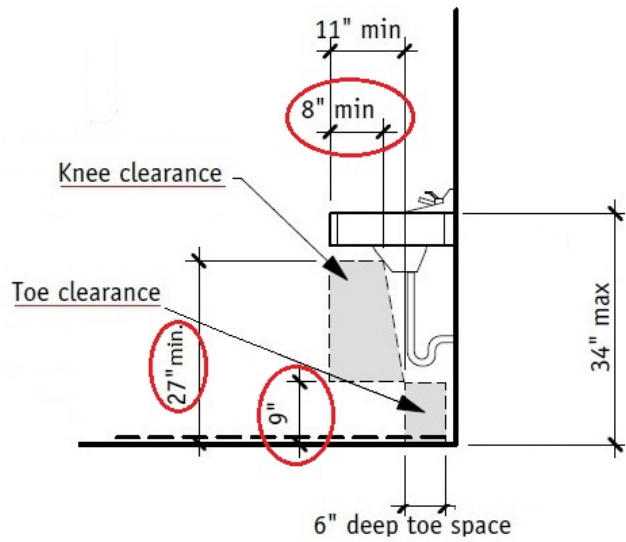
#### Estimated Remediation Date:

N/A

#### Notes:

N/A

Finding #27 Continued



Finding 297212 Main Photo

## 1st Floor Women's Restroom

Lat: 38.8351786000, Long: -104.8321048000

### Finding: 28

The water and drain pipes under the lavatory are not adequately insulated.

Water supply and drain pipes under lavatories and sinks shall be insulated or otherwise configured to protect against contact. There shall be no sharp or abrasive surfaces under lavatories and sinks.

*2010 ADAS Section 606.5*

*Water supply and drain pipes under lavatories and sinks shall be insulated or otherwise configured to protect against contact. There shall be no sharp or abrasive surfaces under lavatories and sinks.*

#### Citation:

2010 ADAS Section: 606.5

#### As Built:

Drain pipe insulation missing

#### Recommendation:

Insulate drain pipes underneath lavatory.

#### Barrier Priority:

3 (Moderate): Should be completed as soon as possible, but there may be other items that will provide greater access to persons with disabilities. (Includes; Findings that have a high financial impact on the entity in relationship to the degree of access provided)

#### Department:

N/A

#### Estimated Remediation Date:

N/A

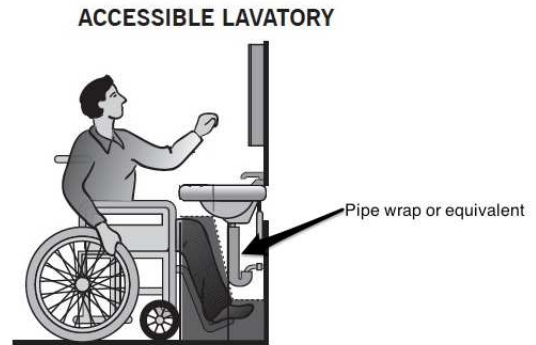
#### Notes:

N/A

CORRECTED



Finding #28 Continued



Finding 297213 Main Photo

CORRECTED

## 1st Floor Women's Restroom

Lat: 38.8351786000, Long: -104.8321048000

### Finding: 29

The water closet compartment door is missing a loop handle on the outside.

Water closet compartments must be equipped with a door that has a loop or U-shaped handle on both sides of the door immediately below the latch. The latch must be flip-over style, sliding or other hardware not requiring the user to grasp or twist.

2010 ADAS Section 604.8.1.2

Toilet compartment doors, including door hardware, shall comply with 404 except that if the approach is to the latch side of the compartment door, clearance between the door side of the compartment and any obstruction shall be 42 inches (1065 mm) minimum. Doors shall be located in the front partition or in the side wall or partition farthest from the water closet. Where located in the front partition, the door opening shall be 4 inches (100 mm) maximum from the side wall or partition farthest from the water closet. Where located in the side wall or partition, the door opening shall be 4 inches (100 mm) maximum from the front partition. The door shall be self-closing. A door pull complying with 404.2.7 shall be placed on both sides of the door near the latch. Toilet compartment doors shall not swing into the minimum required compartment area.

#### Citation:

2010 ADAS Section: 604.8.1.2

#### As Built:

Missing loop handle  
on the outside

#### Recommendation:

Install loop handle on outside of door no greater 48 inches maximum above finished floor. Between 36 - 40 inches preferred.

#### Barrier Priority:

3 (Moderate): Should be completed as soon as possible, but there may be other items that will provide greater access to persons with disabilities. (Includes; Findings that have a high financial impact on the entity in relationship to the degree of access provided)

#### Department:

N/A

#### Estimated Remediation Date:

N/A

#### Notes:

N/A

**Finding #29 Continued**



Finding 297215 Main Photo

CORRECTED

## 1st Floor Unisex Accessible Restroom

Lat: 38.8351786000, Long: -104.8321048000

### Finding: 30

The door exceeds the maximum pressure to open the door.

Interior doors shall have a maximum opening force of 5 pounds.

These forces do not apply to the force required to retract latch bolts or disengage other devices that hold the door or gate in a closed position. Door closers and gate closers shall be adjusted so that from an open position of 90 degrees, the time required to move the door to a position of 12 degrees from the latch is 5 seconds minimum.

Door and gate spring hinges shall be adjusted so that from the open position of 70 degrees, the door or gate shall move to the closed position in 1.5 seconds minimum.

*2010 ADAS Section 404.2.9*

*Fire doors shall have a minimum opening force allowable by the appropriate administrative authority. The force for pushing or pulling open a door or gate other than fire doors shall be as follows: 1. Interior hinged doors and gates: 5 pounds (22.2 N) maximum. 2. Sliding or folding doors: 5 pounds (22.2 N) maximum. These forces do not apply to the force required to retract latch bolts or disengage other devices that hold the door or gate in a closed position.*

### Citation:

2010 ADAS Section: 404.2.9

### As Built:

13 pounds of pressure required

### Recommendation:

Adjust door to 5 lbs of pressure or less.

### Barrier Priority:

3 (Moderate): Should be completed as soon as possible, but there may be other items that will provide greater access to persons with disabilities. (Includes; Findings that have a high financial impact on the entity in relationship to the degree of access provided)

### Department:

N/A

### Estimated Remediation Date:

N/A

### Notes:

N/A

Finding #30 Continued



Finding 297181 Main Photo

CORRECTED

## 1st Floor Unisex Accessible Restroom

Lat: 38.8351786000, Long: -104.8321048000

### Finding: 31

The water and drain pipes under the lavatory are not adequately insulated.

Water supply and drain pipes under lavatories and sinks shall be insulated or otherwise configured to protect against contact. There shall be no sharp or abrasive surfaces under lavatories and sinks.

*2010 ADAS Section 606.5*

*Water supply and drain pipes under lavatories and sinks shall be insulated or otherwise configured to protect against contact. There shall be no sharp or abrasive surfaces under lavatories and sinks.*

#### Citation:

2010 ADAS Section: 606.5

#### As Built:

Missing drain pipe insulation

#### Recommendation:

Insulate drain pipes underneath lavatory.

#### Barrier Priority:

3 (Moderate): Should be completed as soon as possible, but there may be other items that will provide greater access to persons with disabilities. (Includes; Findings that have a high financial impact on the entity in relationship to the degree of access provided)

#### Department:

N/A

#### Estimated Remediation Date:

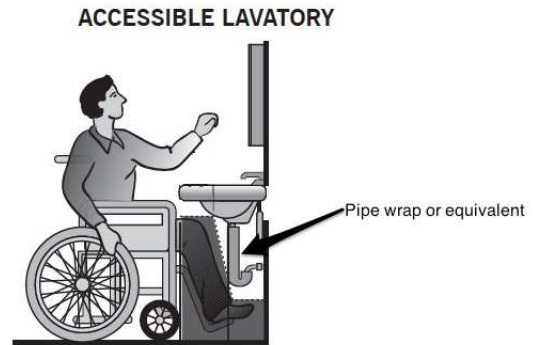
N/A

#### Notes:

N/A

CORRECTED

Finding #31 Continued



Finding 297182 Main Photo

CORRECTED

## 1st Floor Unisex Accessible Restroom

Lat: 38.8351786000, Long: -104.8321048000

### Finding: 32

The paper towel dispenser's operation mechanism is too high off the floor.

Dispensers must have all operable parts a maximum of 48 inches above the floor.

*2010 ADAS Section 308.2.1*

*Where a forward reach is unobstructed, the high forward reach shall be 48 inches (1220 mm) maximum and the low forward reach shall be 15 inches (380 mm) minimum above the finish floor or ground.*

#### Citation:

2010 ADAS Section: 308.2.1

#### As Built:

57 inches above  
finished floor

#### Recommendation:

Lower paper towel dispenser a minimum of 10 inches to meet compliance.

#### Barrier Priority:

2 (Important): Should be completed as soon as possible. (Includes; Findings that would remove barriers to the greatest number of people to your goods and services)

#### Department:

N/A

#### Estimated Remediation Date:

N/A

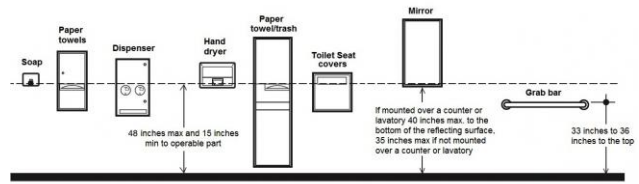
#### Notes:

N/A

CORRECTED



Finding #32 Continued



Finding 297183 Main Photo

CORRECTED

## 1st Floor Unisex Accessible Restroom

Lat: 38.8351786000, Long: -104.8321048000

### Finding: 33

The rear grab bar is not a minimum 36 inches in length.

Grab bars shall be installed in a horizontal position, 33 inches minimum and 36 inches maximum above the finish floor measured to the top of the gripping surface and the space between the grab bar and the top of the tank (any obstruction) shall be 1-1/2 inches minimum.

*2010 ADAS Section 604.5.2*

*The rear wall grab bar shall be 36 inches (915 mm) long minimum and extend from the centerline of the water closet 12 inches (305 mm) minimum on one side and 24 inches (610 mm) minimum on the other side.*

#### Citation:

2010 ADAS Section: 604.5.2

#### As Built:

30 inch rear grab bar

#### Recommendation:

Remove and replace with a 36 inch grab bar. Position new rear grab bar to 12 inches from centerline of water closet to wall side and 24 inches from centerline of water closet to transfer side.

#### Barrier Priority:

3 (Moderate): Should be completed as soon as possible, but there may be other items that will provide greater access to persons with disabilities. (Includes; Findings that have a high financial impact on the entity in relationship to the degree of access provided)

#### Department:

N/A

#### Estimated Remediation Date:

N/A

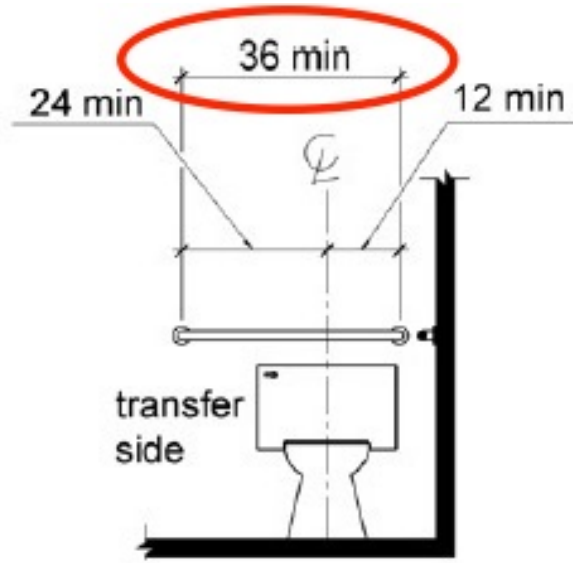
#### Notes:

N/A

Finding #33 Continued



Finding 297184 Main Photo



CORRECTED

## 1st Floor Unisex Accessible Restroom

Lat: 38.8351786000, Long: -104.8321048000

### Finding: 34

The side grab bar does not extend far enough from the rear wall.

The side grab bar must extend at least 54 inches minimum beyond the rear wall and start a maximum of 12 inches from the rear wall. A 42 inch grab bar installed the maximum distance from the rear wall (12 inches) will leave the leading end 54 inches from the rear wall. Grab bars shall be installed in a horizontal position, 33 inches minimum and 36 inches maximum above the finish floor measured to the top of the gripping surface.

2010 ADAS Section 604.5.1

The side wall grab bar shall be 42 inches (1065 mm) long minimum, located 12 inches (305 mm) maximum from the rear wall and extending 54 inches (1370 mm) minimum from the rear wall.

#### Citation:

2010 ADAS Section: 604.5.1

#### As Built:

53 inches from rear wall

#### Recommendation:

Adjust side grab bar not to exceed 12 inches from rear wall measured to the centerline of the grab bar. Side grab bar must be 42 inches minimum in length and extend at least 54 inches minimum beyond the rear wall measured to the centerline of the grab bar.

#### Barrier Priority:

3 (Moderate): Should be completed as soon as possible, but there may be other items that will provide greater access to persons with disabilities. (Includes; Findings that have a high financial impact on the entity in relationship to the degree of access provided)

#### Department:

N/A

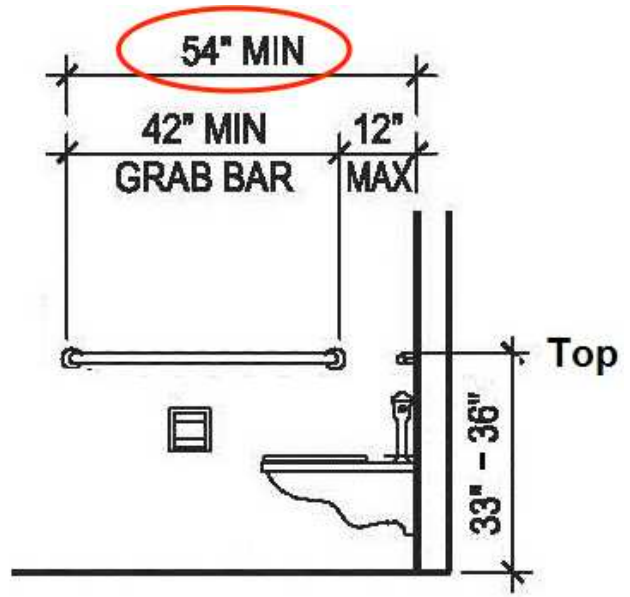
#### Estimated Remediation Date:

N/A

#### Notes:

N/A

Finding #34 Continued



Finding 297185 Main Photo

CORRECTED

## 1st Floor Unisex Accessible Restroom

Lat: 38.8351786000, Long: -104.8321048000

### Finding: 35

The toilet seat cover dispenser is mounted too close to the top of the grab bar, minimizing the gripping surface.

Adjacent elements shall be positioned to provide unobstructed use of grab bars. The space between the grab bar and projecting objects below and at the ends shall be 1-1/2 inches minimum. The space between the grab bar and projecting objects above shall be 12 inches minimum.

*2010 ADAS Section 609.3*

*The space between the wall and the grab bar shall be 1 1/2 inches (38 mm). The space between the grab bar and projecting objects below and at the ends shall be 1 1/2 inches (38 mm) minimum. The space between the grab bar and projecting objects above shall be 12 inches (305 mm) minimum.*

#### Citation:

2010 ADAS Section: 609.3

#### As Built:

7 inches above rear grab bar

#### Recommendation:

Relocate seat cover dispenser to have operable part between 15 inches minimum and 48 inches maximum above floor. May require relocation below rear or side grab bar at 1.5 inches minimum clearance below grab bar to meet compliance.

#### Barrier Priority:

2 (Important): Should be completed as soon as possible. (Includes; Findings that would remove barriers to the greatest number of people to your goods and services)

#### Department:

N/A

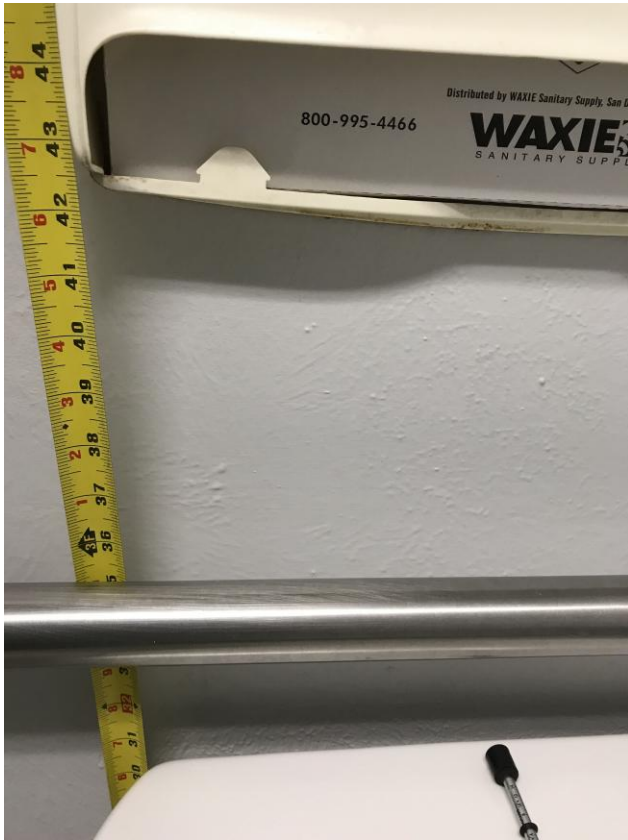
#### Estimated Remediation Date:

N/A

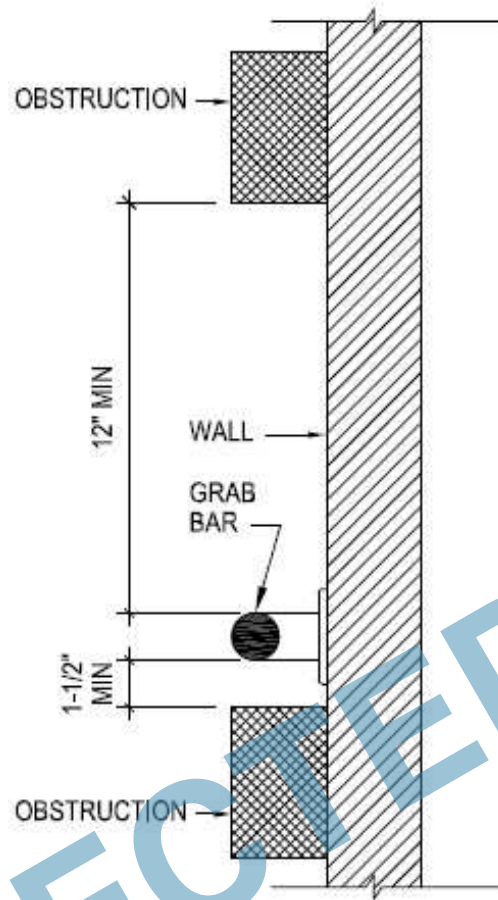
#### Notes:

N/A

Finding #35 Continued



Finding 297186 Main Photo



CORRECTED

## 1st Floor Unisex Accessible Restroom

Lat: 38.8351786000, Long: -104.8321048000

### Finding: 36

The toilet is not located within the range allowed from the side wall or partition.

The centerline of the toilet must be 16 to 18 inches from the side wall.

2010 ADAS Section 604.2

The water closet shall be positioned with a wall or partition to the rear and to one side. The centerline of the water closet shall be 16 inches (405 mm) minimum to 18 inches (455 mm) maximum from the side wall or partition, except that the water closet shall be 17 inches (430 mm) minimum and 19 inches (485 mm) maximum from the side wall or partition in the ambulatory accessible toilet compartment specified in 604.8.2. Water closets shall be arranged for a left-hand or right-hand approach.

#### Citation:

2010 ADAS Section: 604.2

#### As Built:

24 inches to centerline  
of toilet from side wall

#### Recommendation:

Re-position toilet between 16 inches minimum and 18 maximum from centerline of toilet to side wall.  
May require major plumbing alteration.

#### Barrier Priority:

3 (Moderate): Should be completed as soon as possible, but there may be other items that will provide greater access to persons with disabilities. (Includes Findings that have a high financial impact on the entity in relationship to the degree of access provided)

#### Department:

N/A

#### Estimated Remediation Date:

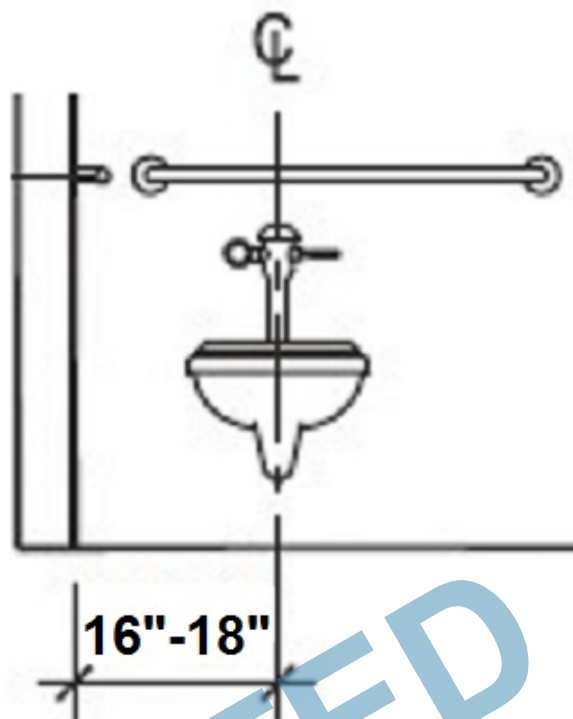
N/A

#### Notes:

N/A



Finding #36 Continued



Finding 297187 Main Photo

CORRECTED

## **1st Floor Unisex Accessible Restroom**

**Lat: 38.8351786000, Long: -104.8321048000**

### **Finding: 37**

**Compliant room identification signs are missing.**

**Sign shall be located alongside the door at the latch side. Where a tactile sign is provided at double doors with one active leaf, the sign shall be located on the inactive leaf. Where a tactile sign is provided at double doors with two active leafs, the sign shall be located to the right of the right hand door. Where there is no wall space at the latch side of a single door or at the right side of double doors, signs shall be located on the nearest adjacent wall. Signs containing tactile characters shall be located so that a clear floor space of 18 inches minimum by 18 inches minimum, centered on the tactile characters, is provided beyond the arc of any door swing between the closed position and 45 degree open position.**

**Wall signs identifying permanent rooms and spaces of a building shall be in a horizontal format and the characters raised 1/32 inch minimum and shall be sans serif uppercase characters a minimum of 5/8 inch and a maximum of 2 inches high. Contracted Grade 2 Braille shall be in a horizontal format and shall be placed a minimum of 3/8 inch and a maximum of 1/2 inch directly below the tactile characters; flush left or centered. Dots shall be 1/10 inch on center in each cell with 2/10-inch space between cells, measured from the second column of dots in the first cell to the first column of dots in the second cell. Dots shall be raised a minimum of 1/40 inch above the background. Braille dots shall be domed or rounded. Signs with raised characters or Braille shall be located 48 inches minimum above the finish floor or ground surface, measured from the baseline of the lowest tactile character and 60 inches maximum above the finish floor or ground surface, measured from the baseline of the highest tactile character.**

*2010 ADAS Section 216.2*

*Interior and exterior signs identifying permanent rooms and spaces shall comply with 703.1, 703.2, and 703.5. Where pictograms are provided as designations of permanent interior rooms and spaces, the pictograms shall comply with 703.6 and shall have text descriptors complying with 703.2 and 703.5.*

*2010 ADAS Section 703.4.2*

*Where a tactile sign is provided at a door, the sign shall be located alongside the door at the latch side. Where a tactile sign is provided at double doors with one active leaf, the sign shall be located on the inactive leaf. Where a tactile sign is provided at double doors with two active leafs, the sign shall be located to the right of the right hand door. Where there is no wall space at the latch side of a single door or at the right side of double doors, signs shall be located on the nearest adjacent wall. Signs containing tactile characters shall be located so that a clear floor space of 18 inches (455 mm) minimum by 18 inches (455 mm) minimum, centered on the tactile characters, is provided beyond the arc of any door swing between the closed position and 45 degree open position.*

### **Citation:**

**2010 ADAS Section: 216.2, 703.4.2**

### **As Built:**

**Missing unisex  
restroom signage**

### **Recommendation:**

**Install unisex compliant sign containing tactile characters and shall be located so that a clear floor**

space of 18 inches minimum by 18 inches minimum, centered on the tactile characters, is provided beyond the arc of any door swing between the closed position and 45 degree open position.

**Barrier Priority:**

3 (Moderate): Should be completed as soon as possible, but there may be other items that will provide greater access to persons with disabilities. (Includes; Findings that have a high financial impact on the entity in relationship to the degree of access provided)

**Department:**

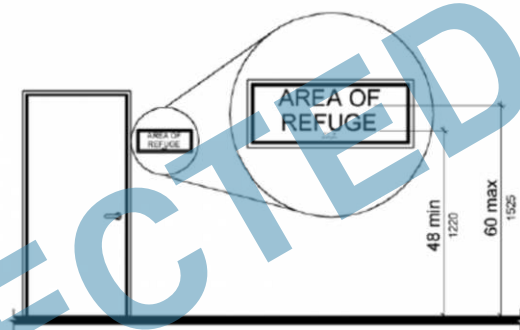
N/A

**Estimated Remediation Date:**

N/A

**Notes:**

N/A



Finding 297219 Main Photo

## Men's 2nd Floor Restroom

Lat: 38.8351786000, Long: -104.8321048000

### Finding: 38

The toilet seat cover dispenser is mounted too close to the top of the grab bar, minimizing the gripping surface.

Adjacent elements shall be positioned to provide unobstructed use of grab bars. The space between the grab bar and projecting objects below and at the ends shall be 1-1/2 inches minimum. The space between the grab bar and projecting objects above shall be 12 inches minimum.

*2010 ADAS Section 609.3*

*The space between the wall and the grab bar shall be 1 1/2 inches (38 mm). The space between the grab bar and projecting objects below and at the ends shall be 1 1/2 inches (38 mm) minimum. The space between the grab bar and projecting objects above shall be 12 inches (305 mm) minimum.*

#### Citation:

2010 ADAS Section: 609.3

#### As Built:

42 inches above rear grab bar

#### Recommendation:

Relocate seat cover dispenser to have operable part between 15 inches minimum and 48 inches maximum above floor. May require relocation below rear or side grab bar at 1.5 inches minimum clearance below grab bar to meet compliance.

#### Barrier Priority:

3 (Moderate): Should be completed as soon as possible, but there may be other items that will provide greater access to persons with disabilities. (Includes; Findings that have a high financial impact on the entity in relationship to the degree of access provided)

#### Department:

N/A

#### Estimated Remediation Date:

N/A

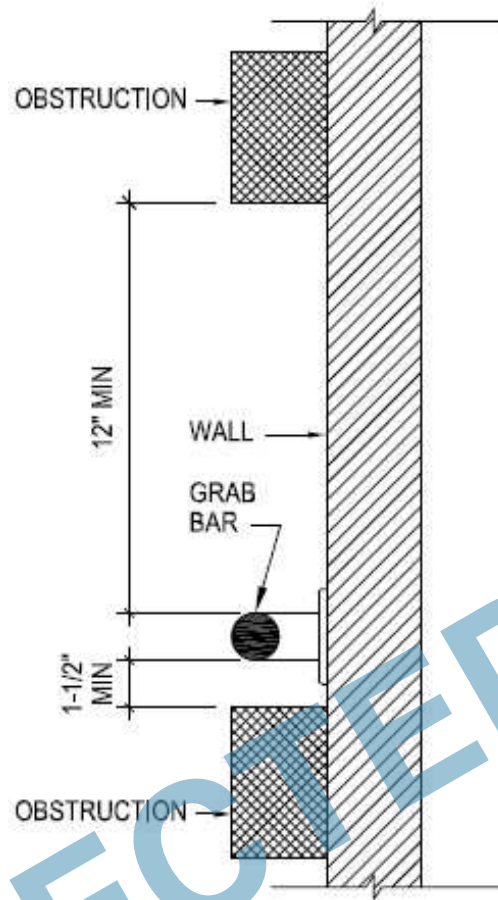
#### Notes:

N/A

Finding #38 Continued



Finding 297190 Main Photo



CORRECTED

## Men's 2nd Floor Restroom

Lat: 38.8351786000, Long: -104.8321048000

### Finding: 39

The coat hook is installed greater than 48 inches above the finished floor.

Where a forward reach is unobstructed, the high forward reach shall be 48 inches maximum above the finished floor.

*2010 ADAS Section 308.2.1*

*Where a forward reach is unobstructed, the high forward reach shall be 48 inches (1220 mm) maximum and the low forward reach shall be 15 inches (380 mm) minimum above the finish floor or ground.*

#### Citation:

2010 ADAS Section: 308.2.1

#### As Built:

66 inches above  
finished floor

#### Recommendation:

Lower coat hook 19 inches minimum or install another coat hook not to exceed a maximum height of 48 inches above finished floor.

#### Barrier Priority:

3 (Moderate): Should be completed as soon as possible, but there may be other items that will provide greater access to persons with disabilities. (Includes; Findings that have a high financial impact on the entity in relationship to the degree of access provided)

#### Department:

N/A

#### Estimated Remediation Date:

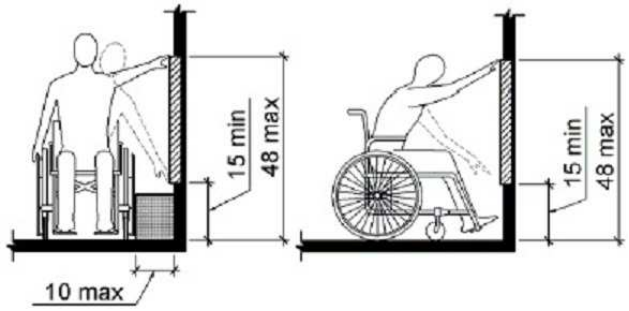
N/A

#### Notes:

N/A

CORRECTED

Finding #39 Continued



Finding 297191 Main Photo

CORRECTED

## Men's 2nd Floor Restroom

Lat: 38.8351786000, Long: -104.8321048000

### Finding: 40

The compartment door is not self closing.

The water closet compartment shall be equipped with a door that has an automatic-closing device.

*2010 ADAS Section 604.8.1.2*

*Toilet compartment doors, including door hardware, shall comply with 404 except that if the approach is to the latch side of the compartment door, clearance between the door side of the compartment and any obstruction shall be 42 inches (1065 mm) minimum. Doors shall be located in the front partition or in the side wall or partition farthest from the water closet. Where located in the front partition, the door opening shall be 4 inches (100 mm) maximum from the side wall or partition farthest from the water closet. Where located in the side wall or partition, the door opening shall be 4 inches (100 mm) maximum from the front partition. The door shall be self-closing. A door pull complying with 404.2.7 shall be placed on both sides of the door near the latch. Toilet compartment doors shall not swing into the minimum required compartment area.*

#### Citation:

2010 ADAS Section: 604.8.1.2

#### As Built:

Compartment door not self closing

#### Recommendation:

Adjust or replace existing door hinges.

#### Barrier Priority:

3 (Moderate): Should be completed as soon as possible, but there may be other items that will provide greater access to persons with disabilities. (Includes; Findings that have a high financial impact on the entity in relationship to the degree of access provided)

#### Department:

N/A

#### Estimated Remediation Date:

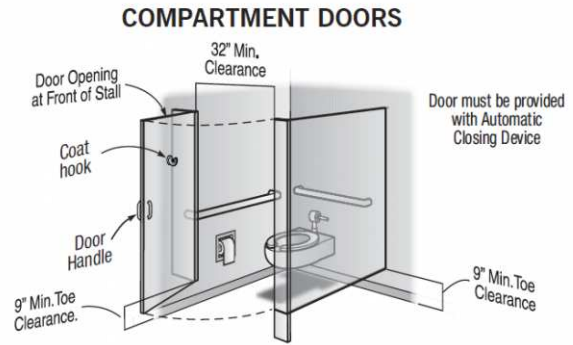
N/A

#### Notes:

N/A



Finding #40 Continued



Finding 297192 Main Photo

## Men's 2nd Floor Restroom

Lat: 38.8351786000, Long: -104.8321048000

### Finding: 41

The water closet compartment door is missing a loop handle on the outside.

Water closet compartments must be equipped with a door that has a loop or U-shaped handle on both sides of the door immediately below the latch. The latch must be flip-over style, sliding or other hardware not requiring the user to grasp or twist.

2010 ADAS Section 604.8.1.2

Toilet compartment doors, including door hardware, shall comply with 404 except that if the approach is to the latch side of the compartment door, clearance between the door side of the compartment and any obstruction shall be 42 inches (1065 mm) minimum. Doors shall be located in the front partition or in the side wall or partition farthest from the water closet. Where located in the front partition, the door opening shall be 4 inches (100 mm) maximum from the side wall or partition farthest from the water closet. Where located in the side wall or partition, the door opening shall be 4 inches (100 mm) maximum from the front partition. The door shall be self-closing. A door pull complying with 404.2.7 shall be placed on both sides of the door near the latch. Toilet compartment doors shall not swing into the minimum required compartment area.

#### Citation:

2010 ADAS Section: 604.8.1.2

#### As Built:

Missing loop handle  
on outside of door

#### Recommendation:

Install loop handle on outside of door.

#### Barrier Priority:

3 (Moderate): Should be completed as soon as possible, but there may be other items that will provide greater access to persons with disabilities. (Includes; Findings that have a high financial impact on the entity in relationship to the degree of access provided)

#### Department:

N/A

#### Estimated Remediation Date:

N/A

#### Notes:

N/A

Finding #41 Continued



Finding 297193 Main Photo

CORRECTED

## Men's 2nd Floor Restroom

Lat: 38.8351786000, Long: -104.8321048000

### Finding: 42

The water and drain pipes under the lavatory are not adequately insulated.

Water supply and drain pipes under lavatories and sinks shall be insulated or otherwise configured to protect against contact. There shall be no sharp or abrasive surfaces under lavatories and sinks.

2010 ADAS Section 606.5

Water supply and drain pipes under lavatories and sinks shall be insulated or otherwise configured to protect against contact. There shall be no sharp or abrasive surfaces under lavatories and sinks.

#### Citation:

2010 ADAS Section: 606.5

#### As Built:

Missing pipe  
insulation underneath  
lavatory

#### Recommendation:

Insulate drain pipes underneath lavatory.

#### Barrier Priority:

3 (Moderate): Should be completed as soon as possible, but there may be other items that will provide greater access to persons with disabilities. (Includes; Findings that have a high financial impact on the entity in relationship to the degree of access provided)

#### Department:

N/A

#### Estimated Remediation Date:

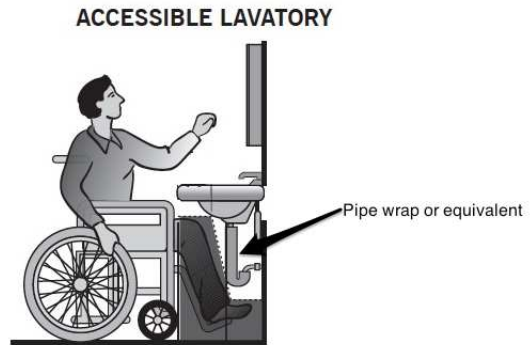
N/A

#### Notes:

N/A

CORRECTED

Finding #42 Continued



Finding 297194 Main Photo

CORRECTED

## **Men's 2nd Floor Restroom**

**Lat: 38.8351786000, Long: -104.8321048000**

### **Finding: 43**

**The baby changing table operating mechanism is outside reach range.**

**The maximum high reach allowed is 48 inches**

*2010 ADAS Section 308.3.1*

*Where a clear floor or ground space allows a parallel approach to an element and the side reach is unobstructed, the high side reach shall be 48 inches (1220 mm) maximum and the low side reach shall be 15 inches (380 mm) minimum above the finish floor or ground.*

#### **Citation:**

**2010 ADAS Section: 308.3.1**

#### **As Built:**

**51.5 inches above finished**

#### **Recommendation:**

**Re-position baby changing station to meet the 27 inches minimum required under an element for knee clearance, 28 inches minimum to 34 inches maximum to the top of the table surface and 48 inches maximum height to operable part measured from the finished floor.**

#### **Barrier Priority:**

**3 (Moderate): Should be completed as soon as possible, but there may be other items that will provide greater access to persons with disabilities. (Includes; Findings that have a high financial impact on the entity in relationship to the degree of access provided)**

#### **Department:**

**N/A**

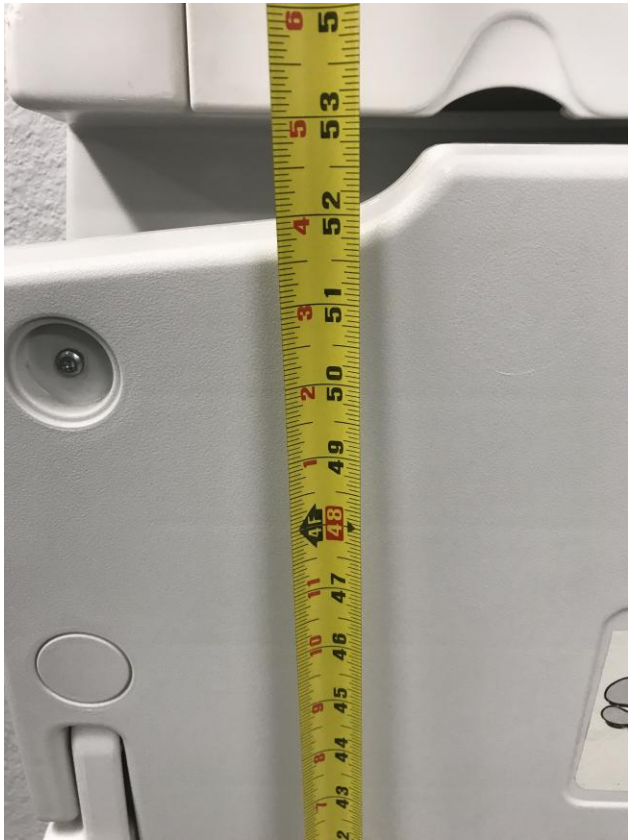
#### **Estimated Remediation Date:**

**N/A**

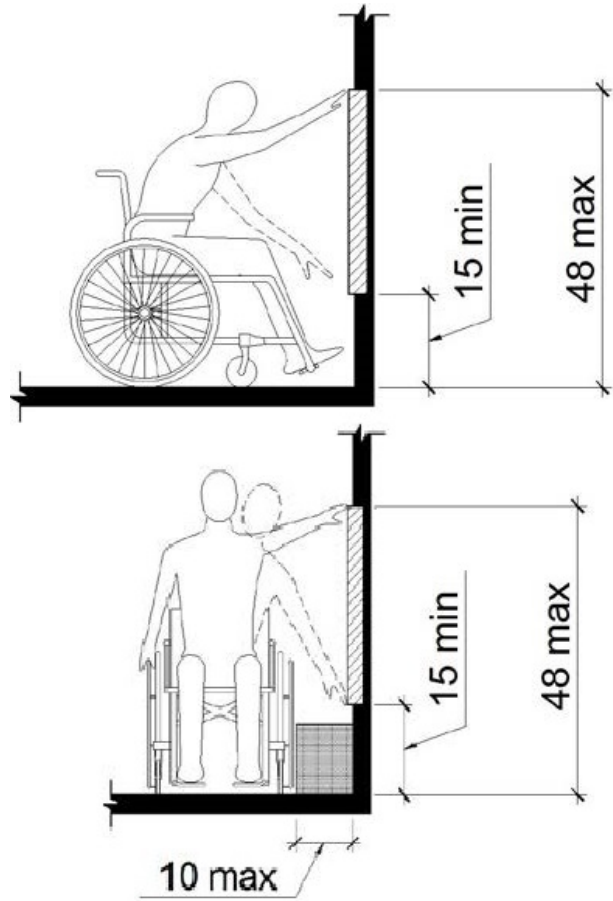
#### **Notes:**

**N/A**

Finding #43 Continued



Finding 297195 Main Photo



## Men's 2nd Floor Restroom

Lat: 38.8351786000, Long: -104.8321048000

### Finding: 44

The toilet is not located within the range allowed from the side wall or partition.

The centerline of the toilet must be 16 to 18 inches from the side wall.

*2010 ADAS Section 604.2*

*The water closet shall be positioned with a wall or partition to the rear and to one side. The centerline of the water closet shall be 16 inches (405 mm) minimum to 18 inches (455 mm) maximum from the side wall or partition, except that the water closet shall be 17 inches (430 mm) minimum and 19 inches (485 mm) maximum from the side wall or partition in the ambulatory accessible toilet compartment specified in 604.8.2. Water closets shall be arranged for a left-hand or right-hand approach.*

#### Citation:

2010 ADAS Section: 604.2

#### As Built:

18.5 inches from side wall to centerline of toilet

#### Recommendation:

Re-position toilet between 16 inches minimum and 18 inches maximum from centerline of toilet to side wall. May require plumbing alteration.

#### Barrier Priority:

3 (Moderate): Should be completed as soon as possible, but there may be other items that will provide greater access to persons with disabilities. (Includes; Findings that have a high financial impact on the entity in relationship to the degree of access provided)

#### Department:

N/A

#### Estimated Remediation Date:

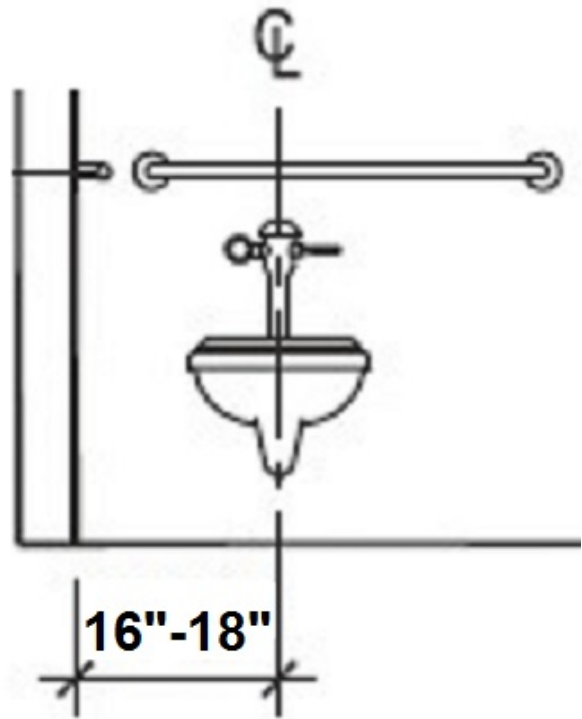
N/A

#### Notes:

N/A



Finding #44 Continued



Finding 297196 Main Photo

## Men's 2nd Floor Restroom

Lat: 38.8351786000, Long: -104.8321048000

### Finding: 45

The door is equipped with a door closer and returns to a closed position too quickly.

Door closers and gate closers shall be adjusted so that from an open position of 90 degrees, the time required to move the door to a position of 12 degrees from the latch is 5 seconds minimum.

*2010 ADAS Section 404.2.8.1*

*Door closers and gate closers shall be adjusted so that from an open position of 90 degrees, the time required to move the door to a position of 12 degrees from the latch is 5 seconds minimum.*

#### Citation:

2010 ADAS Section: 404.2.8.1

#### As Built:

4 seconds to a position of 12 degrees from latch

#### Recommendation:

Adjust door closer to have a closing time of 5 seconds minimum from an open position of 90 degrees to a position of 12 degrees from the latch.

#### Barrier Priority:

3 (Moderate): Should be completed as soon as possible, but there may be other items that will provide greater access to persons with disabilities. (Includes; Findings that have a high financial impact on the entity in relationship to the degree of access provided)

#### Department:

N/A

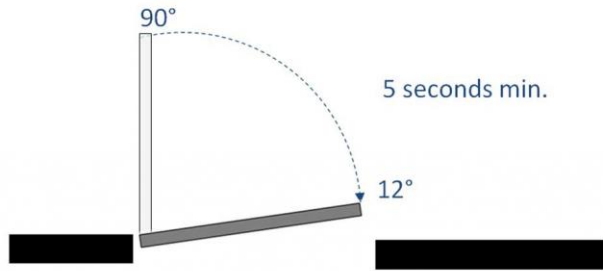
#### Estimated Remediation Date:

N/A

#### Notes:

N/A

Finding #45 Continued



Finding 297230 Main Photo

CORRECTED

## Men's 2nd Floor Restroom

Lat: 38.8351786000, Long: -104.8321048000

### Finding: 46

The door has a locking mechanism that requires tight grasping, pinching or twisting of the wrist.

Door locking mechanisms should be push button and release upon activation of the door hardware.

2010 ADAS Section 309.4

Operable parts shall be operable with one hand and shall not require tight grasping, pinching, or twisting of the wrist. The force required to activate operable parts shall be 5 pounds (22.2 N) maximum.

#### Citation:

2010 ADAS Section: 309.4

#### As Built:

Compartment door  
lock requires tight  
grasping or twisting of  
the wrist

#### Recommendation:

Install lever type hardware that do not require tight grasping, pinching or twisting of the wrist.

#### Barrier Priority:

3 (Moderate): Should be completed as soon as possible, but there may be other items that will provide greater access to persons with disabilities. (Includes; Findings that have a high financial impact on the entity in relationship to the degree of access provided)

#### Department:

N/A

#### Estimated Remediation Date:

N/A

#### Notes:

N/A

CORRECTED

Finding #46 Continued



CORRECTED

## Women's 2nd Floor Restroom

Lat: 38.8351786000, Long: -104.8321048000

### Finding: 47

The door is equipped with a door closer and returns to a closed position too quickly.

Door closers and gate closers shall be adjusted so that from an open position of 90 degrees, the time required to move the door to a position of 12 degrees from the latch is 5 seconds minimum.

*2010 ADAS Section 404.2.8.1*

*Door closers and gate closers shall be adjusted so that from an open position of 90 degrees, the time required to move the door to a position of 12 degrees from the latch is 5 seconds minimum.*

#### Citation:

2010 ADAS Section: 404.2.8.1

#### As Built:

4 seconds to a closed position

#### Recommendation:

Adjust door closer to have a closing time of 5 seconds minimum from an open position of 90 degrees to a position of 12 degrees from the latch.

#### Barrier Priority:

3 (Moderate): Should be completed as soon as possible, but there may be other items that will provide greater access to persons with disabilities. (Includes; Findings that have a high financial impact on the entity in relationship to the degree of access provided)

#### Department:

N/A

#### Estimated Remediation Date:

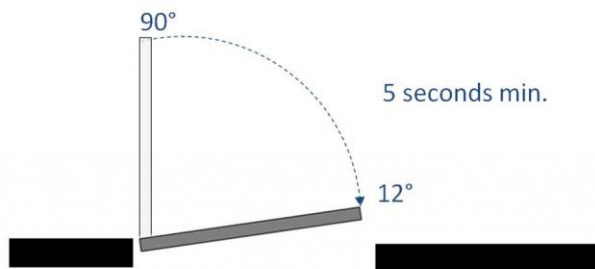
N/A

#### Notes:

N/A

CORRECTED

Finding #47 Continued



Finding 297188 Main Photo

CORRECTED

## Women's 2nd Floor Restroom

Lat: 38.8351786000, Long: -104.8321048000

### Finding: 48

The baby changing table operating mechanism is outside reach range.

The maximum high reach allowed is 48 inches

*2010 ADAS Section 308.3.1*

*Where a clear floor or ground space allows a parallel approach to an element and the side reach is unobstructed, the high side reach shall be 48 inches (1220 mm) maximum and the low side reach shall be 15 inches (380 mm) minimum above the finish floor or ground.*

#### Citation:

2010 ADAS Section: 308.3.1

#### As Built:

58 inches above  
finished floor

#### Recommendation:

Remove and replace existing baby changing station with a horizontal station. Ensure there is a 27 inch minimum knee clearance measured from the finished floor to the bottom edge of the baby changing station, 28 inches minimum to 34 inches maximum to the top of the table surface and the operable part at a maximum of 48 inches measured from the finished floor.

#### Barrier Priority:

3 (Moderate): Should be completed as soon as possible, but there may be other items that will provide greater access to persons with disabilities. (Includes: Findings that have a high financial impact on the entity in relationship to the degree of access provided)

#### Department:

N/A

#### Estimated Remediation Date:

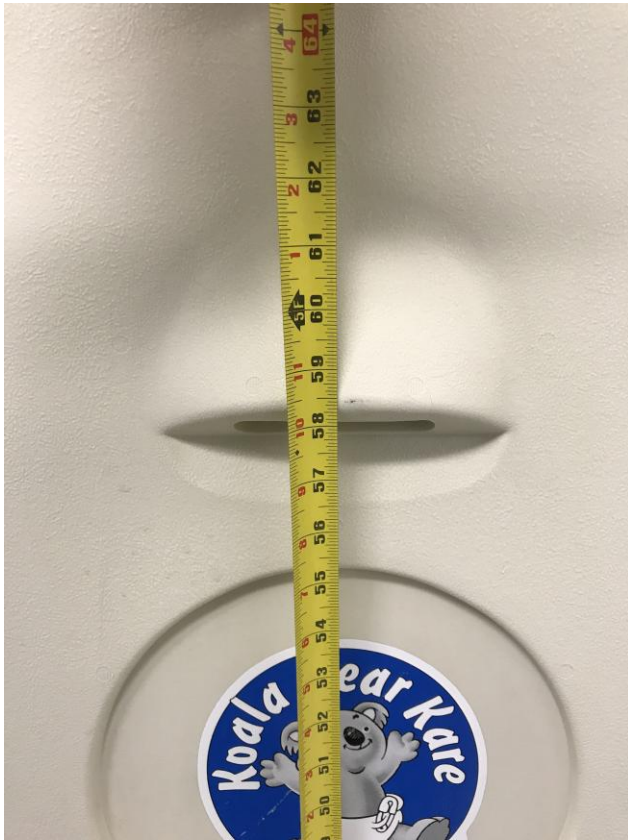
N/A

#### Notes:

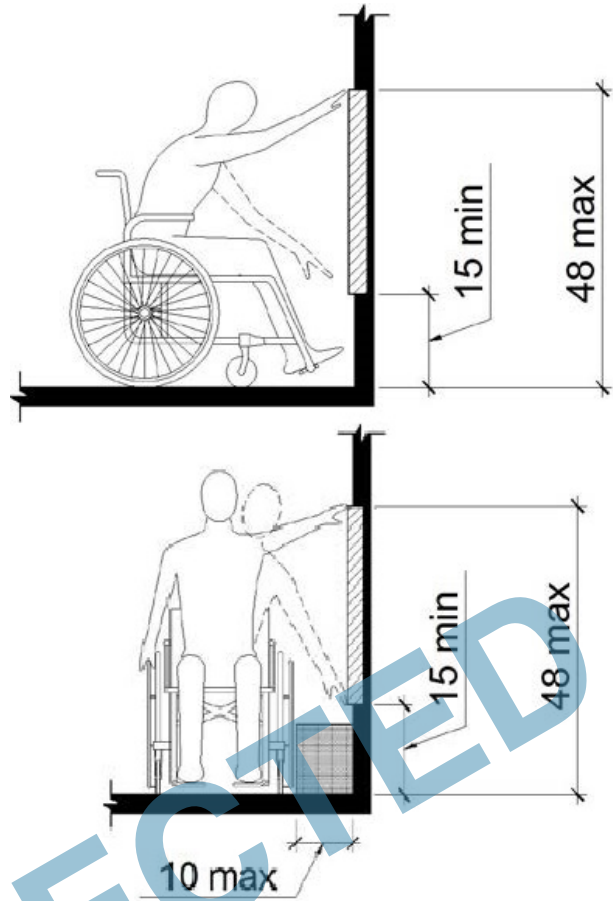
N/A



Finding #48 Continued



Finding 297189 Main Photo



CORRECTED

## Women's 2nd Floor Restroom

Lat: 38.8351786000, Long: -104.8321048000

### Finding: 49

The rear grab bar is missing.

Grab bars shall be installed in a horizontal position, 33 inches minimum and 36 inches maximum above the finish floor measured to the top of the gripping surface and the space between the grab bar and the top of the tank (any obstruction) shall be 1-1/2 inches minimum.

*2010 ADAS Section 609.4*

*Grab bars shall be installed in a horizontal position, 33 inches (840 mm) minimum and 36 inches (915 mm) maximum above the finish floor measured to the top of the gripping surface, except that at water closets for children's use complying with 604.9, grab bars shall be installed in a horizontal position 18 inches (455 mm) minimum and 27 inches (685 mm) maximum above the finish floor measured to the top of the gripping surface. The height of the lower grab bar on the back wall of a bathtub shall comply with 607.4.1.1 or 607.4.2.1.*

#### Citation:

2010 ADAS Section: 609.4

#### As Built:

Missing rear grab bar

#### Recommendation:

Install 36 inch rear grab bar to extend from the centerline of the toilet 12 inches minimum to the wall side and 24 inches minimum to the transfer/open side.

#### Barrier Priority:

3 (Moderate): Should be completed as soon as possible, but there may be other items that will provide greater access to persons with disabilities. (Includes; Findings that have a high financial impact on the entity in relationship to the degree of access provided)

#### Department:

N/A

#### Estimated Remediation Date:

N/A

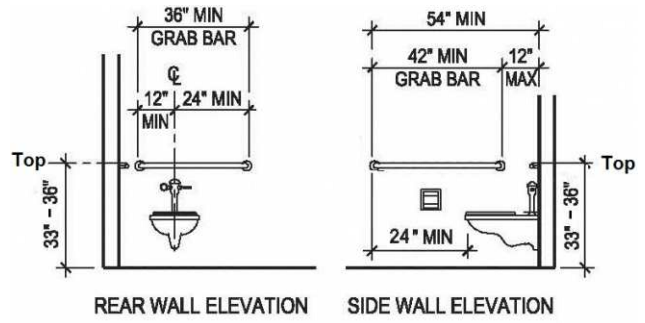
#### Notes:

N/A

Finding #49 Continued



Finding 297220 Main Photo



CORRECTED

## Women's 2nd Floor Restroom

Lat: 38.8351786000, Long: -104.8321048000

### Finding: 50

The toilet is not located within the range allowed from the side wall or partition.

The centerline of the toilet must be 16 to 18 inches from the side wall.

*2010 ADAS Section 604.2*

*The water closet shall be positioned with a wall or partition to the rear and to one side. The centerline of the water closet shall be 16 inches (405 mm) minimum to 18 inches (455 mm) maximum from the side wall or partition, except that the water closet shall be 17 inches (430 mm) minimum and 19 inches (485 mm) maximum from the side wall or partition in the ambulatory accessible toilet compartment specified in 604.8.2. Water closets shall be arranged for a left-hand or right-hand approach.*

#### Citation:

2010 ADAS Section: 604.2

#### As Built:

18.5 inches from side wall to centerline of toilet

#### Recommendation:

Re-position toilet between 16 inches minimum and 18 inches maximum from centerline of toilet to side wall. May require plumbing alteration.

#### Barrier Priority:

3 (Moderate): Should be completed as soon as possible, but there may be other items that will provide greater access to persons with disabilities. (Includes; Findings that have a high financial impact on the entity in relationship to the degree of access provided)

#### Department:

N/A

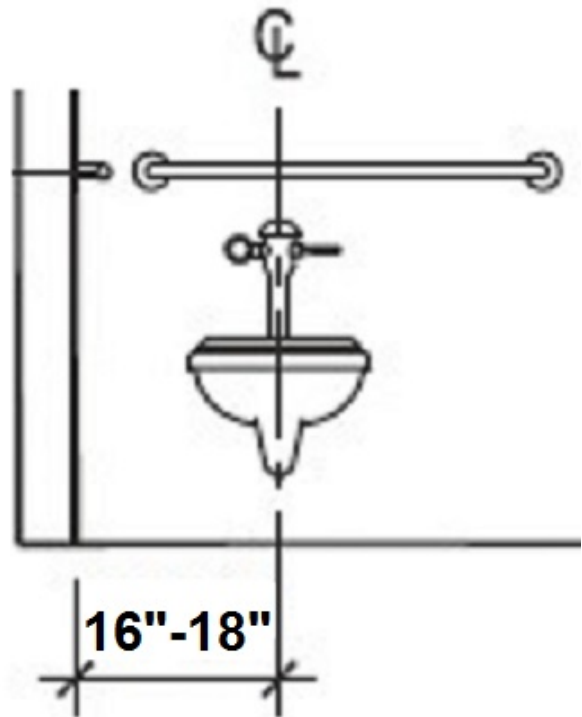
#### Estimated Remediation Date:

N/A

#### Notes:

N/A

Finding #50 Continued



Finding 297221 Main Photo

## Women's 2nd Floor Restroom

Lat: 38.8351786000, Long: -104.8321048000

### Finding: 51

The compartment door is not self closing.

The water closet compartment shall be equipped with a door that has an automatic-closing device.

*2010 ADAS Section 604.8.1.2*

*Toilet compartment doors, including door hardware, shall comply with 404 except that if the approach is to the latch side of the compartment door, clearance between the door side of the compartment and any obstruction shall be 42 inches (1065 mm) minimum. Doors shall be located in the front partition or in the side wall or partition farthest from the water closet. Where located in the front partition, the door opening shall be 4 inches (100 mm) maximum from the side wall or partition farthest from the water closet. Where located in the side wall or partition, the door opening shall be 4 inches (100 mm) maximum from the front partition. The door shall be self-closing. A door pull complying with 404.2.7 shall be placed on both sides of the door near the latch. Toilet compartment doors shall not swing into the minimum required compartment area.*

#### Citation:

2010 ADAS Section: 604.8.1.2

#### As Built:

Compartment door not self closing

#### Recommendation:

Re-adjust or replace door hinges to ensure compartment door is self closing.

#### Barrier Priority:

3 (Moderate): Should be completed as soon as possible, but there may be other items that will provide greater access to persons with disabilities. (Includes; Findings that have a high financial impact on the entity in relationship to the degree of access provided)

#### Department:

N/A

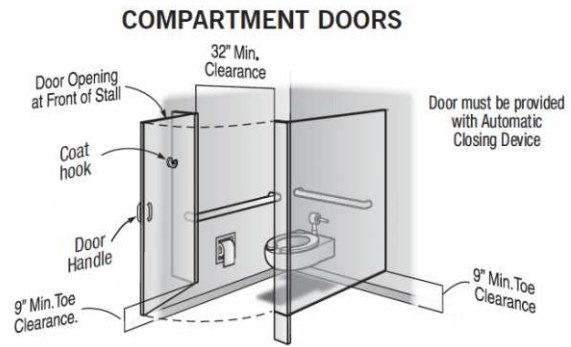
#### Estimated Remediation Date:

N/A

#### Notes:

N/A

Finding #51 Continued



Finding 297222 Main Photo

## Women's 2nd Floor Restroom

Lat: 38.8351786000, Long: -104.8321048000

### Finding: 52

The water closet compartment door is missing a loop handle on the outside.

Water closet compartments must be equipped with a door that has a loop or U-shaped handle on both sides of the door immediately below the latch. The latch must be flip-over style, sliding or other hardware not requiring the user to grasp or twist.

2010 ADAS Section 604.8.1.2

Toilet compartment doors, including door hardware, shall comply with 404 except that if the approach is to the latch side of the compartment door, clearance between the door side of the compartment and any obstruction shall be 42 inches (1065 mm) minimum. Doors shall be located in the front partition or in the side wall or partition farthest from the water closet. Where located in the front partition, the door opening shall be 4 inches (100 mm) maximum from the side wall or partition farthest from the water closet. Where located in the side wall or partition, the door opening shall be 4 inches (100 mm) maximum from the front partition. The door shall be self-closing. A door pull complying with 404.2.7 shall be placed on both sides of the door near the latch. Toilet compartment doors shall not swing into the minimum required compartment area.

#### Citation:

2010 ADAS Section: 604.8.1.2

#### As Built:

Missing loop handle on the outside of compartment door

#### Recommendation:

Install loop handle on outside of compartment door.

#### Barrier Priority:

3 (Moderate): Should be completed as soon as possible, but there may be other items that will provide greater access to persons with disabilities. (Includes; Findings that have a high financial impact on the entity in relationship to the degree of access provided)

#### Department:

N/A

#### Estimated Remediation Date:

N/A

#### Notes:

N/A



**Finding #52 Continued**



Finding 297223 Main Photo

CORRECTED

## Women's 2nd Floor Restroom

Lat: 38.8351786000, Long: -104.8321048000

### Finding: 53

The toilet paper dispenser is mounted too close to the bottom of the grab bar, minimizing the gripping surface.

Adjacent elements shall be positioned to provide unobstructed use of grab bars. The space between the grab bar and projecting objects below and at the ends shall be 1-1/2 inches minimum. The space between the grab bar and projecting objects above shall be 12 inches minimum.

*2010 ADAS Section 609.3*

*The space between the wall and the grab bar shall be 1 1/2 inches (38 mm). The space between the grab bar and projecting objects below and at the ends shall be 1 1/2 inches (38 mm) minimum. The space between the grab bar and projecting objects above shall be 12 inches (305 mm) minimum.*

#### Citation:

2010 ADAS Section: 609.3

#### As Built:

.5 inches below side  
grab bar

#### Recommendation:

Lower toilet paper dispenser to ensure a minimum clearance of 1.5 inches below grab bar.

#### Barrier Priority:

3 (Moderate): Should be completed as soon as possible, but there may be other items that will provide greater access to persons with disabilities. (Includes: Findings that have a high financial impact on the entity in relationship to the degree of access provided)

#### Department:

N/A

#### Estimated Remediation Date:

N/A

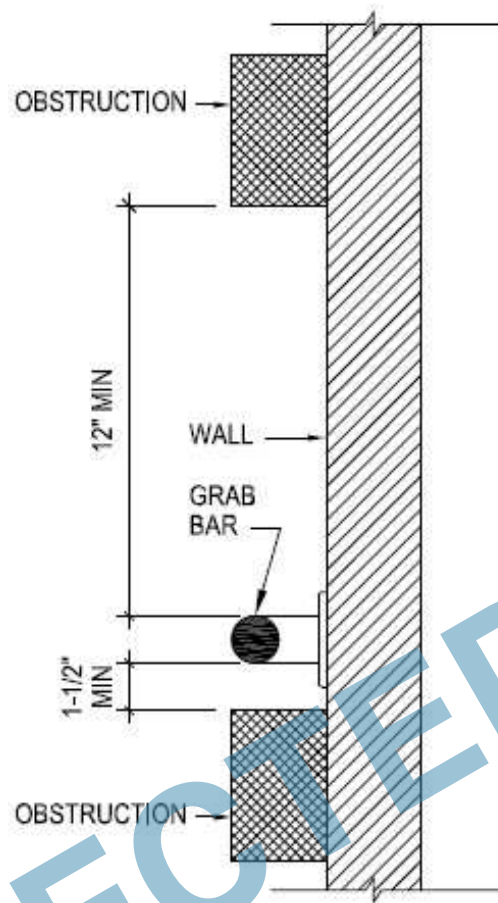
#### Notes:

N/A

Finding #53 Continued



Finding 297224 Main Photo



CORRECTED

## Women's 2nd Floor Restroom

Lat: 38.8351786000, Long: -104.8321048000

### Finding: 54

The coat hook is installed greater than 48 inches above the finished floor.

Where a forward reach is unobstructed, the high forward reach shall be 48 inches maximum above the finished floor.

*2010 ADAS Section 308.2.1*

*Where a forward reach is unobstructed, the high forward reach shall be 48 inches (1220 mm) maximum and the low forward reach shall be 15 inches (380 mm) minimum above the finish floor or ground.*

#### Citation:

2010 ADAS Section: 308.2.1

#### As Built:

66 inches above  
finished floor

#### Recommendation:

Lower coat hook 19 inches minimum or install another coat hook not to exceed a maximum height of 48 inches above finished floor.

#### Barrier Priority:

3 (Moderate): Should be completed as soon as possible, but there may be other items that will provide greater access to persons with disabilities. (Includes; Findings that have a high financial impact on the entity in relationship to the degree of access provided)

#### Department:

N/A

#### Estimated Remediation Date:

N/A

#### Notes:

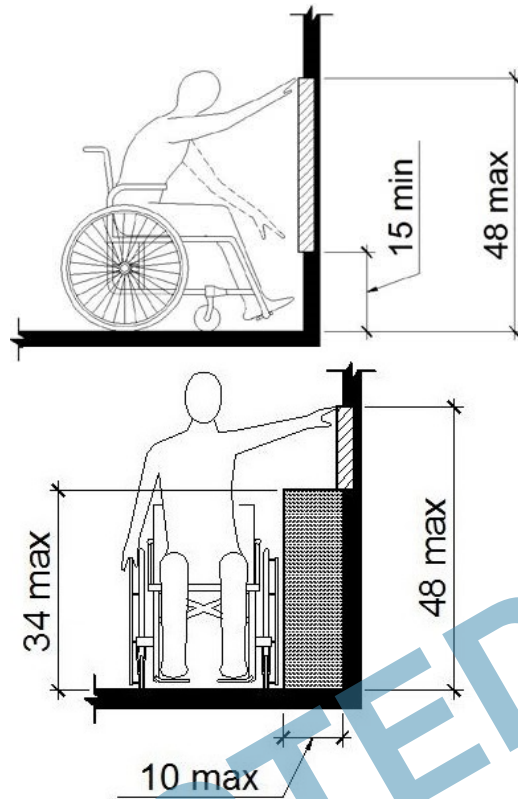
N/A

CORRECTED

Finding #54 Continued



Finding 297225 Main Photo



Considered  
Unobstructed

CORRECTED

## Women's 2nd Floor Restroom

Lat: 38.8351786000, Long: -104.8321048000

### Finding: 55

The sanitary napkin disposal is not installed within reasonable compliant range.

*2010 ADAS Section 604.7*

*Toilet paper dispensers shall comply with 309.4 and shall be 7 inches (180 mm) minimum and 9 inches (230 mm) maximum in front of the water closet measured to the centerline of the dispenser. The outlet of the dispenser shall be 15 inches (380 mm) minimum and 48 inches (1220 mm) maximum above the finish floor and shall not be located behind grab bars. Dispensers shall not be of a type that controls delivery or that does not allow continuous paper flow.*

#### Citation:

2010 ADAS Section: 604.7

#### As Built:

Sanitary napkin  
dispenser not within  
reach range

#### Recommendation:

Relocate sanitary napkin disposal below side grab bar or rear grab bar for a more reasonable reach range with a minimum clearance of 1.5 inches below grab bar.

#### Barrier Priority:

3 (Moderate): Should be completed as soon as possible, but there may be other items that will provide greater access to persons with disabilities. (Includes; Findings that have a high financial impact on the entity in relationship to the degree of access provided)

#### Department:

N/A

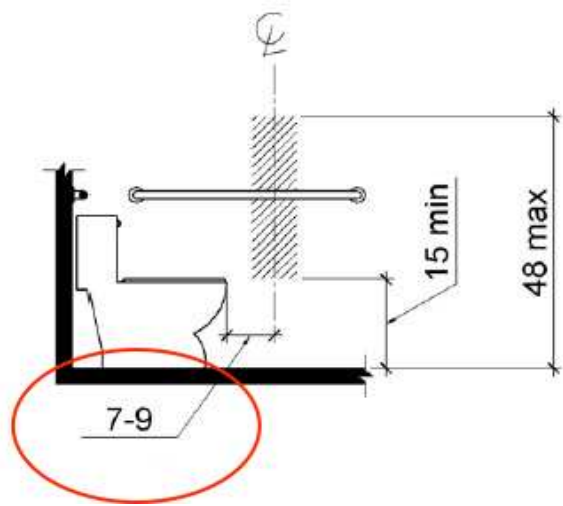
#### Estimated Remediation Date:

N/A

#### Notes:

N/A

Finding #55 Continued



Finding 297226 Main Photo

CORRECTED

## Women's 2nd Floor Restroom

Lat: 38.8351786000, Long: -104.8321048000

### Finding: 56

The apron at the sink projects too low to the floor.

The vertical clearance measured from the bottom of the apron or the outside bottom edge of the lavatory must be 27 inches at a point located 8 inches back from the front edge.

*2010 ADAS Section 306.3.1*

*Space under an element between 9 inches (230 mm) and 27 inches (685 mm) above the finish floor or ground shall be considered knee clearance and shall comply with 306.3.*

### Citation:

2010 ADAS Section: 306.3.1

### As Built:

26.25 inches above  
finished floor

### Recommendation:

Adjust or replace apron underneath lavatory to measure no less than 27 inches.

### Barrier Priority:

3 (Moderate): Should be completed as soon as possible, but there may be other items that will provide greater access to persons with disabilities. (Includes; Findings that have a high financial impact on the entity in relationship to the degree of access provided)

### Department:

N/A

### Estimated Remediation Date:

N/A

### Notes:

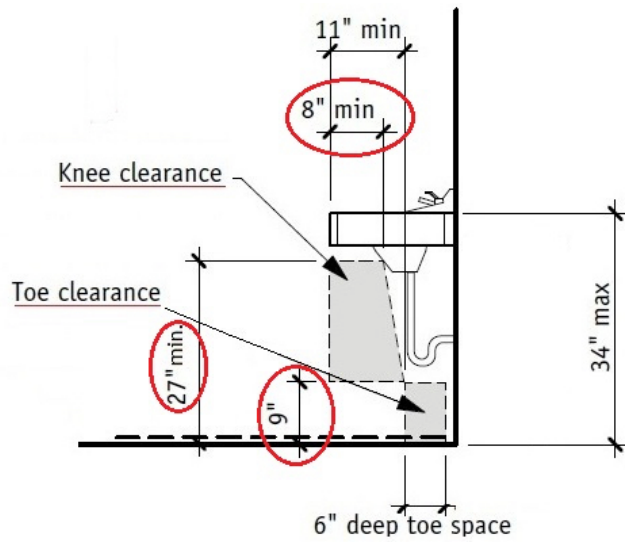
N/A



Finding #56 Continued



Finding 297227 Main Photo



## Women's 2nd Floor Restroom

Lat: 38.8351786000, Long: -104.8321048000

### Finding: 57

The water and drain pipes under the lavatory are not adequately insulated.

Water supply and drain pipes under lavatories and sinks shall be insulated or otherwise configured to protect against contact. There shall be no sharp or abrasive surfaces under lavatories and sinks.

*2010 ADAS Section 606.5*

*Water supply and drain pipes under lavatories and sinks shall be insulated or otherwise configured to protect against contact. There shall be no sharp or abrasive surfaces under lavatories and sinks.*

#### Citation:

2010 ADAS Section: 606.5

#### As Built:

Missing drain pipe insulation

#### Recommendation:

Insulate drain pipes underneath lavatory.

#### Barrier Priority:

3 (Moderate): Should be completed as soon as possible, but there may be other items that will provide greater access to persons with disabilities. (Includes; Findings that have a high financial impact on the entity in relationship to the degree of access provided)

#### Department:

N/A

#### Estimated Remediation Date:

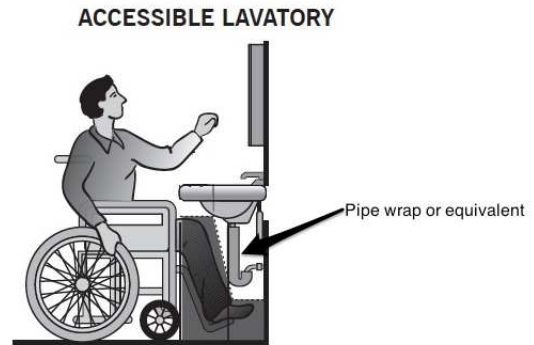
N/A

#### Notes:

N/A

CORRECTED

Finding #57 Continued



Finding 297228 Main Photo

CORRECTED

## Women's 2nd Floor Restroom

Lat: 38.8351786000, Long: -104.8321048000

### Finding: 58

The door has a locking mechanism that requires tight grasping, pinching or twisting of the wrist.

Door locking mechanisms should be push button and release upon activation of the door hardware.

*2010 ADAS Section 309.4*

*Operable parts shall be operable with one hand and shall not require tight grasping, pinching, or twisting of the wrist. The force required to activate operable parts shall be 5 pounds (22.2 N) maximum.*

#### Citation:

2010 ADAS Section: 309.4

#### As Built:

Compartment door  
lock requires twisting  
of the wrist

#### Recommendation:

Install lever type hardware that do not require tight grasping, pinching or twisting of the wrist.

#### Barrier Priority:

3 (Moderate): Should be completed as soon as possible, but there may be other items that will provide greater access to persons with disabilities. (Includes; Findings that have a high financial impact on the entity in relationship to the degree of access provided)

#### Department:

N/A

#### Estimated Remediation Date:

N/A

#### Notes:

N/A

CORRECTED

Finding #58 Continued



CORRECTED