

Site Accessibility Evaluation

Americans with Disabilities Act Title II (Public Services: State and Local Government)



Calhan Community Outreach Center

**328 10th St
Calhan, CO 80808**

Accessibility Evaluation

***Inspection Date: 04/29/2020
Inspector: David Mejia***

Prepared By



**(719) 520 - 6866
www.elpasoco.com**

Parking Lot

Lat: 39.0316700000, Long: -104.2966000000

Finding: 1

The surfaces of the accessible parking spaces and access aisles are not firm, stable, and slip resistant.

Floor and ground surfaces shall be stable, firm, and slip resistant

Parking spaces and access aisles serving them shall comply with 302. Access aisles shall be at the same level as the parking spaces they serve. Changes in level are not permitted.

2010 ADAS Section 502.4

Parking spaces and access aisles serving them shall comply with 302. Access aisles shall be at the same level as the parking spaces they serve. Changes in level are not permitted.

2010 ADAS Section 302.1

Floor and ground surfaces shall be stable, firm, and slip resistant and shall comply with 302.

Citation:

2010 ADAS Section: 502.4, 302.1

As Built:

Parking lot consists of loose gravel and dirt

Recommendation:

Pave and stripe parking. One accessible van parking stall and access aisle is required to meet current ADA standards. During this time the parking lot is not compliant and does not meet the 2010 ADA Standards. Due to estimated costs and time frame, parking lot will be earmarked for future project pending budget approval.

Barrier Priority:

1 (High): Should be completed immediately. (Includes; Findings that have little or no cost, were in violation of the codes at the time of construction, or pose an imminent safety threat)

Department:

N/A

Estimated Remediation Date:

N/A

Notes:

N/A

Finding #1 Continued



Finding 299234 Main Photo

Finding #1 Additional Finding Photos



Finding 299234 Additional Photo



Finding 299234 Additional Photo

CORRECTED

Parking Lot

Lat: 39.0316714000, Long: -104.2965841000

Finding: 2

The walkway contains abrupt vertical edges and/or variations over a 1/4 inch.

1/4 inch is the maximum vertical rise. Changes in level between 1/4 inch and 1/2 inch must be beveled at 1:2 or less.

Changes in level greater than 1/2 inch must be by way of a ramp.

2010 ADAS Section 303.3

Changes in level between 1/4 inch (6.4 mm) high minimum and 1/2 inch (13 mm) high maximum shall be beveled with a slope not steeper than 1:2.

2010 ADAS Section 303.2

Changes in level of 1/4 inch (6.4 mm) high maximum shall be permitted to be vertical.

Citation:

2010 ADAS Section: 303.3, 303.2

As Built:

Walkway contains a 2 inch abrupt vertical change

Recommendation:

Construct a firm, stable and slip resistant path of travel from the parking lot's access aisle to the front of the entrance ramp not to exceed 2% cross slope and 5% running slope.

Barrier Priority:

1 (High): Should be completed immediately. (Includes; Findings that have little or no cost, were in violation of the codes at the time of construction, or pose an imminent safety threat)

Department:

N/A

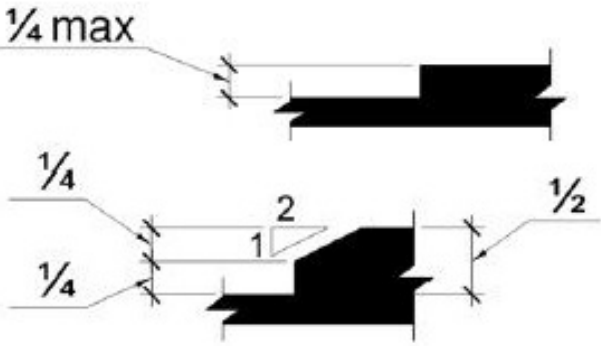
Estimated Remediation Date:

N/A

Notes:

N/A

Finding #2 Continued



CORRECTED

Finding #2 Additional Finding Photos



Finding 299300 Additional Photo

CORRECTED

Main Entrance Ramp

Lat: 39.0316700000, Long: -104.2966000000

Finding: 3

The top landing of the ramp is not the correct size.

The landing clear width shall be at least as wide as the widest ramp run leading to the landing (36 inches minimum ramp width, whichever is greater) and a minimum of 60 inches in length.

2010 ADAS Section 405.7.3

The landing clear length shall be 60 inches (1525 mm) long minimum.

2010 ADAS Section 405.7.2

The landing clear width shall be at least as wide as the widest ramp run leading to the landing.

Citation:

2010 ADAS Section: 405.7.3, 405.7.2

As Built:

Handrails at top landing protrude into the required clear floor space of landing

Recommendation:

Modify existing hand rail at top of landing to ensure a floor space clearance of 60 inches by 60 inches in width and depth with no protrusions.

Barrier Priority:

1 (High): Should be completed immediately. (Includes; Findings that have little or no cost, were in violation of the codes at the time of construction, or pose an imminent safety threat)

Department:

N/A

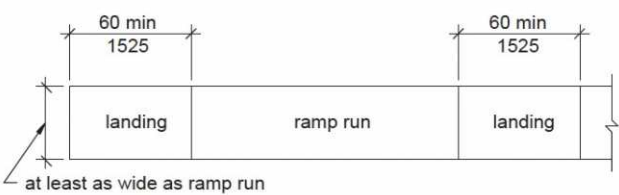
Estimated Remediation Date:

N/A

Notes:

N/A

Finding #3 Continued



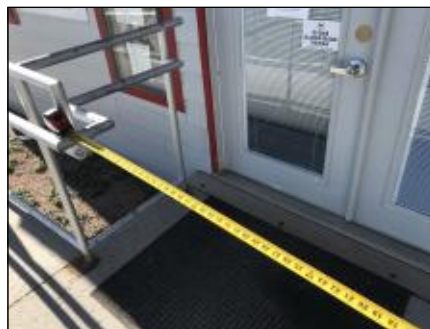
Finding 299235 Main Photo

CORRECTED

Finding #3 Additional Finding Photos



Finding 299235 Additional Photo



Finding 299235 Additional Photo

CORRECTED

Main Entrance

Lat: 39.0316700000, Long: -104.2966000000

Finding: 4

The threshold has a vertical change greater than 1/4 inch high.

The threshold at a doorway shall be no higher than 1/2 inch. Changes in level between 1/4 inch and 1/2 inch must be beveled at 1:2 or less. 1/4 inch is the maximum vertical rise.

2010 ADAS Section 404.2.5

Thresholds, if provided at doorways, shall be 1/2 inch (13 mm) high maximum. Raised thresholds and changes in level at doorways shall comply with 302 and 303.

Citation:

2010 ADAS Section: 404.2.5

As Built:

Threshold has 1 inch vertical rise

Recommendation:

Replace existing threshold with a low profile threshold that does not exceed the 1/4 inch vertical rise or 1/2 inch beveled.

Barrier Priority:

1 (High): Should be completed immediately. (Includes; Findings that have little or no cost, were in violation of the codes at the time of construction, or pose an imminent safety threat)

Department:

N/A

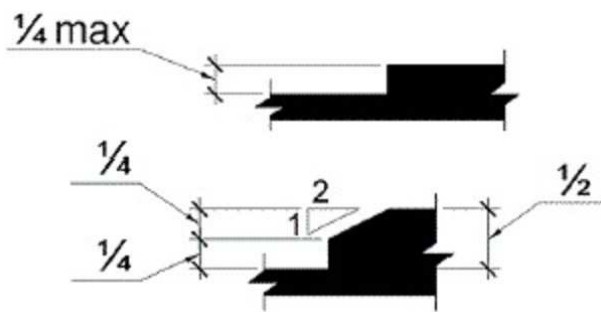
Estimated Remediation Date:

N/A

Notes:

N/A

Finding #4 Continued



Finding 299285 Main Photo

Finding #4 Additional Finding Photos



Finding 299285 Additional Photo



Finding 299285 Additional Photo

Lobby

Lat: 39.0316700000, Long: -104.2966000000

Finding: 5

The applications, pamphlets and/or informational brochures located on the wall display rack are located beyond the maximum reach allowable either for a forward or parallel approach. Height should be between 15 inches minimum and 48 inches maximum above finished floor for all printed material available to the public.

Lower display rack or provide additional and/or different type shelves/informational stand to meet compliance.

2010 ADAS Section 308.2.1

Where a forward reach is unobstructed, the high forward reach shall be 48 inches (1220 mm) maximum and the low forward reach shall be 15 inches (380 mm) minimum above the finish floor or ground.

2010 ADAS Section 308.3.1

Where a clear floor or ground space allows a parallel approach to an element and the side reach is unobstructed, the high side reach shall be 48 inches (1220 mm) maximum and the low side reach shall be 15 inches (380 mm) minimum above the finish floor or ground.

Citation:

2010 ADAS Section: 308.2.1, 308.3.1

As Built:

Brochure display rack
out of reach

Recommendation:

The applications, pamphlets and brochures located on the wall display rack are located beyond the maximum reach allowable either for a forward or parallel approach. Height should be between 15 inches minimum and 48 inches maximum above finished floor for all printed material available to the public.

Lower display rack or provide additional and/or different type shelves/informational stand to meet compliance.

Barrier Priority:

3 (Moderate): Should be completed as soon as possible, but there may be other items that will provide greater access to persons with disabilities. (Includes; Findings that have a high financial impact on the entity in relationship to the degree of access provided)

Department:

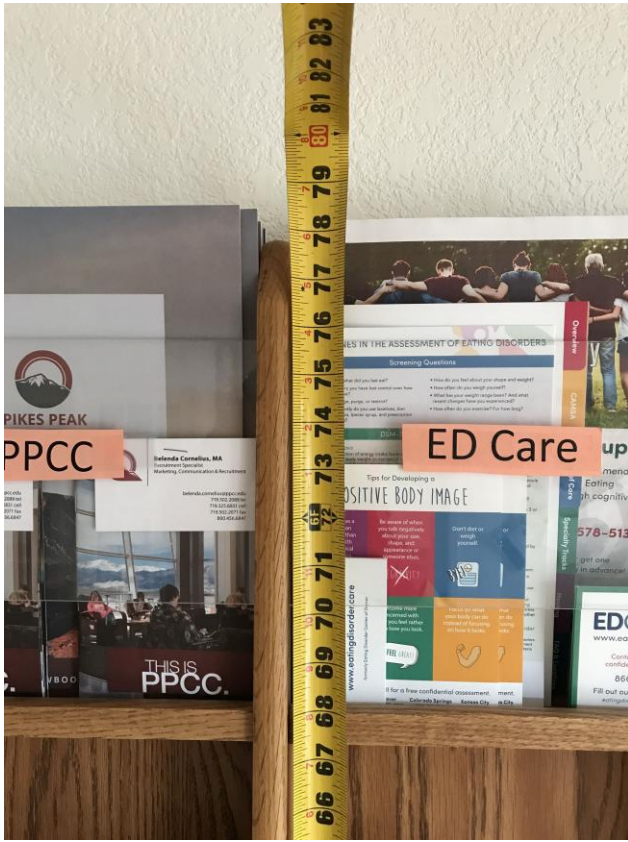
N/A

Estimated Remediation Date:

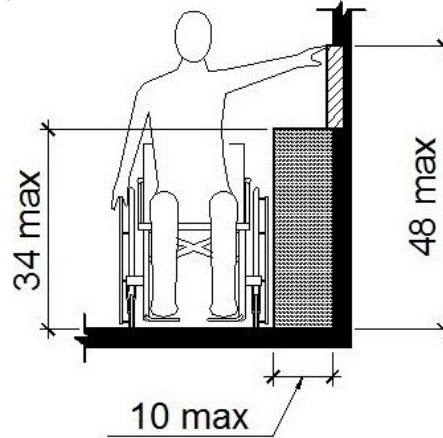
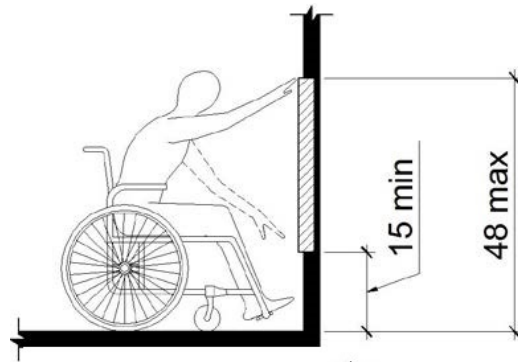
N/A

Notes:

N/A



Finding 299286 Main Photo



Considered
Unobstructed

Finding #5 Additional Finding Photos



Finding 299286 Additional Photo



Finding 299286 Additional Photo

Lobby

Lat: 39.0316700000, Long: -104.2966000000

Finding: 6

The shelf or storage facility is positioned too high for either a side or front approach.

Where a clear floor or ground space allows a parallel or front approach and the side reach is unobstructed, the high side reach shall be 48 inches maximum above the finish floor or ground and the low side reach shall be 15 inches minimum above the finish floor or ground.

2010 ADAS Section 308.2.1

Where a forward reach is unobstructed, the high forward reach shall be 48 inches (1220 mm) maximum and the low forward reach shall be 15 inches (380 mm) minimum above the finish floor or ground.

2010 ADAS Section 308.3.1

Where a clear floor or ground space allows a parallel approach to an element and the side reach is unobstructed, the high side reach shall be 48 inches (1220 mm) maximum and the low side reach shall be 15 inches (380 mm) minimum above the finish floor or ground.

Citation:

2010 ADAS Section: 308.2.1, 308.3.1

As Built:

Brochure display rack
#2 out of reach

Recommendation:

The applications, pamphlets and/or informational brochures located on the wall display rack are located beyond the maximum reach allowable either for a forward or parallel approach. Height should be between 15 inches minimum and 48 inches maximum above finished floor for all printed material available to the public.

Lower display rack or provide additional and/or different type shelves/informational stand to meet compliance.

Barrier Priority:

3 (Moderate): Should be completed as soon as possible, but there may be other items that will provide greater access to persons with disabilities. (Includes; Findings that have a high financial impact on the entity in relationship to the degree of access provided)

Department:

N/A

Estimated Remediation Date:

N/A

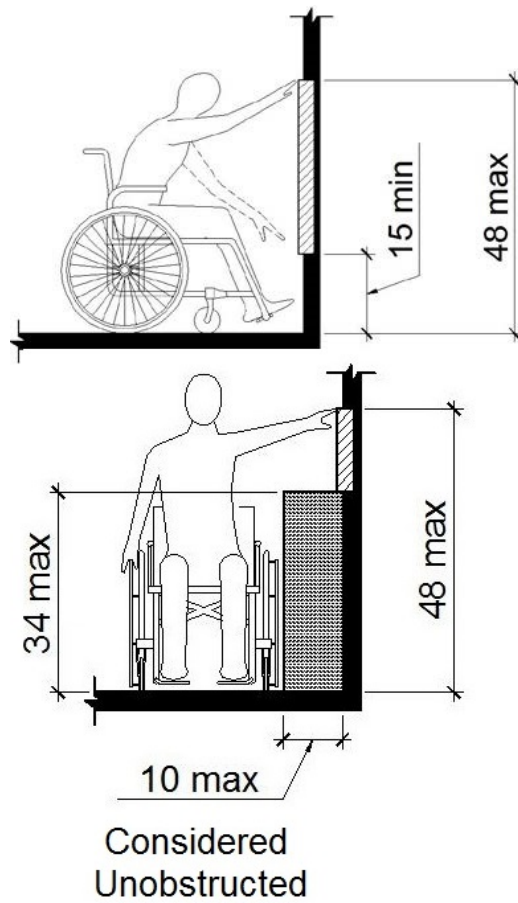
Notes:

N/A

Finding #6 Continued



Finding 299287 Main Photo



Finding #6 Additional Finding Photos



Finding 299287 Additional Photo



Finding 299287 Additional Photo

Lobby

Lat: 39.0316700000, Long: -104.2966000000

Finding: 7

The door opening does not provide at least 32 inches between the face of the door and the opposite stop.

Door openings shall provide a clear width of 32 inches minimum. Clear openings of doorways with swinging doors shall be measured between the face of the door and the stop, with the door open 90 degrees. There shall be no projections into the required clear opening width lower than 34 inches above the finish floor or ground. Projections into the clear opening width between 34 inches and 80 inches above the finish floor or ground shall not exceed 4 inches.

2010 ADAS Section 404.2.3

Door openings shall provide a clear width of 32 inches (815 mm) minimum. Clear openings of doorways with swinging doors shall be measured between the face of the door and the stop, with the door open 90 degrees. Openings more than 24 inches (610 mm) deep shall provide a clear opening of 36 inches (915 mm) minimum. There shall be no projections into the required clear opening width lower than 34 inches (865 mm) above the finish floor or ground. Projections into the clear opening width between 34 inches (865 mm) and 80 inches (2030 mm) above the finish floor or ground shall not exceed 4 inches (100 mm).

Citation:

2010 ADAS Section: 404.2.3

As Built:

Interior doors only
28.75 inches wide

Recommendation:

During remodel/alteration ensure door opening provides at least 32 inches between the face of the door and the stop.

Barrier Priority:

1 (High): Should be completed immediately. (Includes; Findings that have little or no cost, were in violation of the codes at the time of construction, or pose an imminent safety threat)

Department:

N/A

Estimated Remediation Date:

N/A

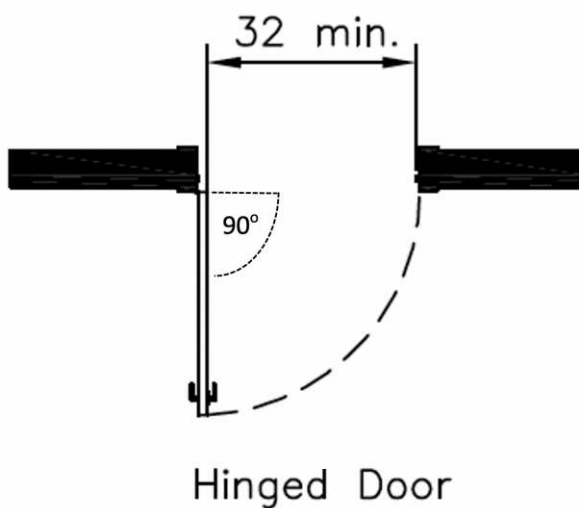
Notes:

N/A

Finding #7 Continued



Finding 299288 Main Photo



CORRECTED

Finding #7 Additional Finding Photos



Finding 299288 Additional Photo

CORRECTED

Lobby

Lat: 39.0316700000, Long: -104.2966000000

Finding: 8

The operating hardware is not accessible because it requires tight grasping, pinching or twisting of the wrist to operate.

Hand-activated hardware, handles, pulls, latches, locks, and other operating devices on accessible elements shall have a shape that is easy to grasp with one hand and does not require tight grasping, tight pinching or twisting of the wrist to operate.

2010 ADAS Section 309.4

Operable parts shall be operable with one hand and shall not require tight grasping, pinching, or twisting of the wrist. The force required to activate operable parts shall be 5 pounds (22.2 N) maximum.

Citation:

2010 ADAS Section: 309.4

As Built:

Interior door hardware requires tight grasping and twisting of the wrist

Recommendation:

Install lever type hardware that does not require tight grasping, pinching or twisting of the wrist.

Barrier Priority:

3 (Moderate): Should be completed as soon as possible, but there may be other items that will provide greater access to persons with disabilities. (Includes; Findings that have a high financial impact on the entity in relationship to the degree of access provided)

Department:

N/A

Estimated Remediation Date:

N/A

Notes:

N/A

Finding #8 Continued



Finding 299299 Main Photo

CORRECTED

Lobby

Lat: 39.0316700000, Long: -104.2966000000

Finding: 9

The door opening does not provide at least 32 inches between the face of the door and the opposite stop.

Door openings shall provide a clear width of 32 inches minimum. Clear openings of doorways with swinging doors shall be measured between the face of the door and the stop, with the door open 90 degrees. There shall be no projections into the required clear opening width lower than 34 inches above the finish floor or ground. Projections into the clear opening width between 34 inches and 80 inches above the finish floor or ground shall not exceed 4 inches.

2010 ADAS Section 404.2.3

Door openings shall provide a clear width of 32 inches (815 mm) minimum. Clear openings of doorways with swinging doors shall be measured between the face of the door and the stop, with the door open 90 degrees. Openings more than 24 inches (610 mm) deep shall provide a clear opening of 36 inches (915 mm) minimum. There shall be no projections into the required clear opening width lower than 34 inches (865 mm) above the finish floor or ground. Projections into the clear opening width between 34 inches (865 mm) and 80 inches (2030 mm) above the finish floor or ground shall not exceed 4 inches (100 mm).

Citation:

2010 ADAS Section: 404.2.3

As Built:

Interior door to
Independence Center
only 28 inches wide

Recommendation:

During remodel/alteration ensure door opening provides at least 32 inches between the face of the door and the stop.

Barrier Priority:

1 (High): Should be completed immediately. (Includes; Findings that have little or no cost, were in violation of the codes at the time of construction, or pose an imminent safety threat)

Department:

N/A

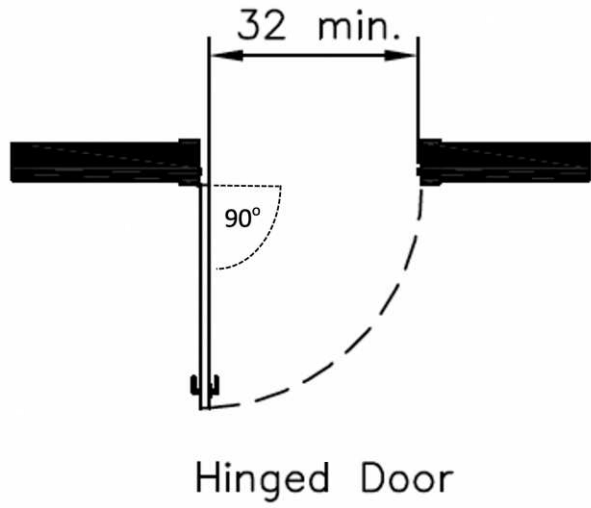
Estimated Remediation Date:

N/A

Notes:

N/A

Finding #9 Continued



CORRECTED

Finding #9 Additional Finding Photos



Finding 299471 Additional Photo

CORRECTED

Lobby

Lat: 39.0316700000, Long: -104.2966000000

Finding: 10

The operating hardware is not accessible because it requires tight grasping, pinching or twisting of the wrist to operate.

Hand-activated hardware, handles, pulls, latches, locks, and other operating devices on accessible elements shall have a shape that is easy to grasp with one hand and does not require tight grasping, tight pinching or twisting of the wrist to operate.

2010 ADAS Section 309.4

Operable parts shall be operable with one hand and shall not require tight grasping, pinching, or twisting of the wrist. The force required to activate operable parts shall be 5 pounds (22.2 N) maximum.

Citation:

2010 ADAS Section: 309.4

As Built:

Door hardware to Independence Center requires tight grasping and twisting of the wrist

Recommendation:

Install lever type hardware that does not require tight grasping, pinching or twisting of the wrist.

Barrier Priority:

3 (Moderate): Should be completed as soon as possible, but there may be other items that will provide greater access to persons with disabilities. (Includes; Findings that have a high financial impact on the entity in relationship to the degree of access provided)

Department:

N/A

Estimated Remediation Date:

N/A

Notes:

N/A

Finding #10 Continued



CORRECTED

Unisex Restroom

Lat: 39.0316700000, Long: -104.2966000000

Finding: 11

The lavatory projects into the clear floor space required for the toilet.

The clear floor space is 60 inches along the back wall by 56 inches.

The required clearance around the water closet shall be permitted to overlap the water closet, associated grab bars, dispensers, sanitary napkin disposal units, coat hooks, shelves, accessible routes, clear floor space and clearances required at other fixtures, and the turning space. No other fixtures or obstructions shall be located within the required water closet clearance.

2010 ADAS Section 604.3.2

The required clearance around the water closet shall be permitted to overlap the water closet, associated grab bars, dispensers, sanitary napkin disposal units, coat hooks, shelves, accessible routes, clear floor space and clearances required at other fixtures, and the turning space. No other fixtures or obstructions shall be located within the required water closet clearance.

Citation:

2010 ADAS Section: 604.3.2

As Built:

Lavatory projects into water closet space

Recommendation:

Providing the minimum required clear floor space around the water closet is technically infeasible at this time because existing structural conditions would require removing or altering a load-bearing member that is an essential part of the structural frame; or because other existing physical or site constraints prohibit modification or addition of elements, spaces, or features that are in full and strict compliance with the minimum requirements. Best practice measures are recommended to ensure restroom is accessible to the maximum extent possible.

During renovation/remodel, ensure water closet minimum required clear floor space of 60 inches in width x 59 inches in depth is not obstructed by lavatory or other fixtures.

Barrier Priority:

3 (Moderate): Should be completed as soon as possible, but there may be other items that will provide greater access to persons with disabilities. (Includes; Findings that have a high financial impact on the entity in relationship to the degree of access provided)

Department:

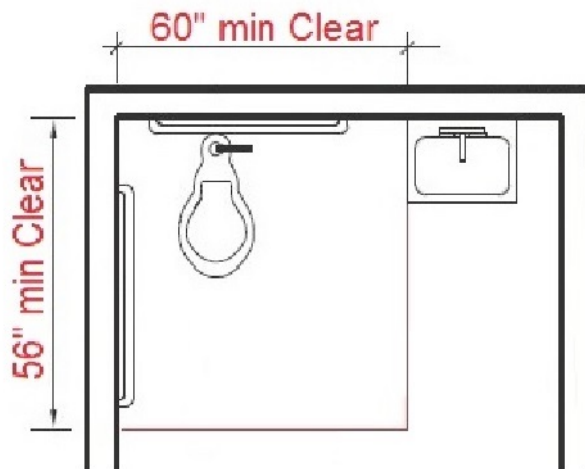
N/A

Estimated Remediation Date:

N/A

Notes:

N/A



Finding 299290 Main Photo

CORRECTED

Finding #11 Additional Finding Photos



Finding 299290 Additional Photo

CORRECTED

Unisex Restroom

Lat: 39.0316700000, Long: -104.2966000000

Finding: 12

The toilet paper is not installed within the compliant range.

Toilet paper dispensers shall be 7 inches minimum and 9 inches maximum in front of the water closet measured to the centerline of the dispenser. The outlet of the dispenser shall be 15 inches minimum and 48 inches maximum above the finish floor and shall not be located behind grab bars. Dispensers shall not be of a type that controls delivery or that does not allow continuous paper flow. There shall be a clearance of 1 1/2 inches minimum below the grab bar.

2010 ADAS Section 604.7

Toilet paper dispensers shall comply with 309.4 and shall be 7 inches (180 mm) minimum and 9 inches (230 mm) maximum in front of the water closet measured to the centerline of the dispenser. The outlet of the dispenser shall be 15 inches (380 mm) minimum and 48 inches (1220 mm) maximum above the finish floor and shall not be located behind grab bars. Dispensers shall not be of a type that controls delivery or that does not allow continuous paper flow.

Citation:

2010 ADAS Section: 604.7

As Built:

Toilet paper dispenser
6 inches in front of
toilet

Recommendation:

Re-position toilet paper dispenser to be within 7 inches minimum to 9 inches maximum in front of the toilet measured to the centerline of the dispenser.

Barrier Priority:

3 (Moderate): Should be completed as soon as possible, but there may be other items that will provide greater access to persons with disabilities. (Includes; Findings that have a high financial impact on the entity in relationship to the degree of access provided)

Department:

N/A

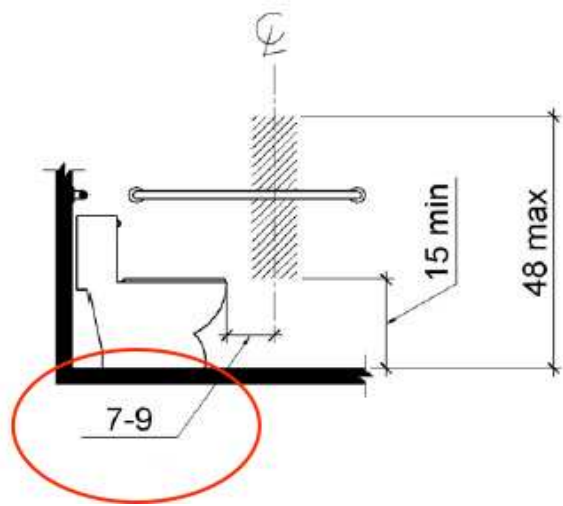
Estimated Remediation Date:

N/A

Notes:

N/A

Finding #12 Continued



Finding 299291 Main Photo

CORRECTED

Finding #12 Additional Finding Photos



Finding 299291 Additional Photo

CORRECTED

Unisex Restroom

Lat: 39.0316700000, Long: -104.2966000000

Finding: 13

The toilet paper dispenser is positioned too close to the grab bar.

Elements adjacent to the grab bar shall be positioned to provide unobstructed use of grab bars. The space between the grab bar and projecting objects below and at the ends shall be 1-1/2 inches minimum. The space between the grab bar and projecting objects above shall be 12 inches minimum.

2010 ADAS Section 609.3

The space between the wall and the grab bar shall be 1 1/2 inches (38 mm). The space between the grab bar and projecting objects below and at the ends shall be 1 1/2 inches (38 mm) minimum. The space between the grab bar and projecting objects above shall be 12 inches (305 mm) minimum.

Citation:

2010 ADAS Section: 609.3

As Built:

Toilet paper dispenser
1 inch below grab bar

Recommendation:

Lower toilet paper dispenser an additional inch to ensure a minimum clearance of 1.5 inches below grab bar measured from the bottom edge of the grab bar.

Barrier Priority:

3 (Moderate): Should be completed as soon as possible, but there may be other items that will provide greater access to persons with disabilities. (Includes: Findings that have a high financial impact on the entity in relationship to the degree of access provided)

Department:

N/A

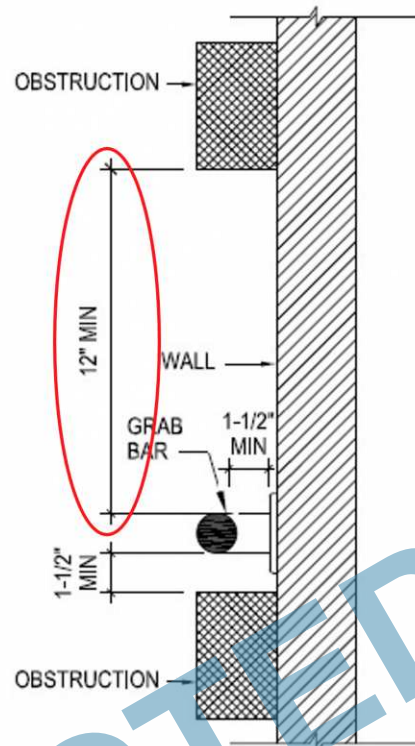
Estimated Remediation Date:

N/A

Notes:

N/A

Finding #13 Continued



Finding 299292 Main Photo

CORRECTED

Finding #13 Additional Finding Photos



Finding 299292 Additional Photo

CORRECTED

Unisex Restroom

Lat: 39.0316700000, Long: -104.2966000000

Finding: 14

Although not required per ADA standards vertical grab bar is not compliant with current building code.

2010 ADAS Section Recommended

None

Citation:

2010 ADAS Section: Recommended

As Built:

Vertical grab bar
bottom edge at 36
inches above finished
floor

Recommendation:

Although not required per ADA Standards, but required under the ICC/ANSI A117.1

Re-position vertical grab bar so that bottom edge of grab bar measures a maximum of 41 inches but no less than 39 inches above finished floor and 39 inches minimum to 41 inches maximum measured from the center line of the grab bar to the rear wall behind the toilet.

Barrier Priority:

3 (Moderate): Should be completed as soon as possible, but there may be other items that will provide greater access to persons with disabilities. (Includes; Findings that have a high financial impact on the entity in relationship to the degree of access provided)

Department:

N/A

Estimated Remediation Date:

N/A

Notes:

N/A

Finding #14 Continued



Finding 299293 Main Photo

CORRECTED

Unisex Restroom

Lat: 39.0316700000, Long: -104.2966000000

Finding: 15

The rear grab bar is too high.

Grab bars shall be installed in a horizontal position, 33 inches minimum and 36 inches maximum above the finish floor measured to the top of the gripping surface and the space between the grab bar and the top of the tank shall be 1-1/2 inches minimum.

2010 ADAS Section 609.4

Grab bars shall be installed in a horizontal position, 33 inches (840 mm) minimum and 36 inches (915 mm) maximum above the finish floor measured to the top of the gripping surface, except that at water closets for children's use complying with 604.9, grab bars shall be installed in a horizontal position 18 inches (455 mm) minimum and 27 inches (685 mm) maximum above the finish floor measured to the top of the gripping surface. The height of the lower grab bar on the back wall of a bathtub shall comply with 607.4.1.1 or 607.4.2.1.

Citation:

2010 ADAS Section: 609.4

As Built:

36.5 inches above
finished floor

Recommendation:

Re-position grab bar to measure between 33 inches minimum and 36 inches maximum above the finished floor measured to the top of the gripping surface.

Barrier Priority:

3 (Moderate): Should be completed as soon as possible, but there may be other items that will provide greater access to persons with disabilities. (Includes; Findings that have a high financial impact on the entity in relationship to the degree of access provided)

Department:

N/A

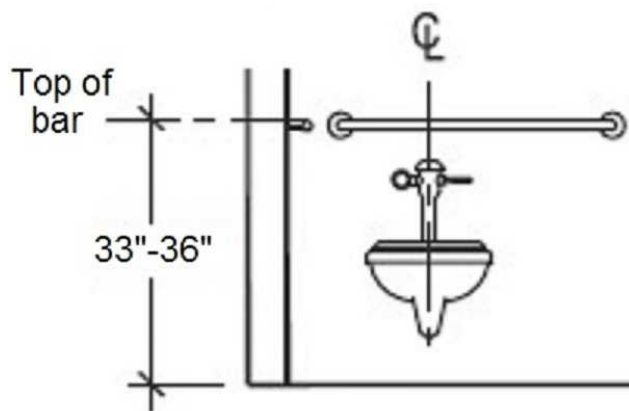
Estimated Remediation Date:

N/A

Notes:

N/A

Finding #15 Continued



Finding 299294 Main Photo

CORRECTED

Finding #15 Additional Finding Photos



Finding 299294 Additional Photo

CORRECTED

Unisex Restroom

Lat: 39.0316700000, Long: -104.2966000000

Finding: 16

The side grab bar does not extend far enough from the rear wall.

The side grab bar must extend at least 54 inches minimum beyond the rear wall and start a maximum of 12 inches from the rear wall. A 42 inch grab bar installed the maximum distance from the rear wall (12 inches) will leave the leading end 54 inches from the rear wall.

Grab bars shall be installed in a horizontal position, 33 inches minimum and 36 inches maximum above the finish floor measured to the top of the gripping surface.

2010 ADAS Section 604.5.1

The side wall grab bar shall be 42 inches (1065 mm) long minimum, located 12 inches (305 mm) maximum from the rear wall and extending 54 inches (1370 mm) minimum from the rear wall.

Citation:

2010 ADAS Section: 604.5.1

As Built:

53.25 inches from rear wall

Recommendation:

Adjust side grab bar not to exceed 12 inches from rear wall measured to the centerline of the grab bar. Side grab bar must be 42 inches minimum in length and extend at least 54 inches minimum beyond the rear wall measured to the centerline of the grab bar.

Barrier Priority:

3 (Moderate): Should be completed as soon as possible, but there may be other items that will provide greater access to persons with disabilities. (Includes; Findings that have a high financial impact on the entity in relationship to the degree of access provided)

Department:

N/A

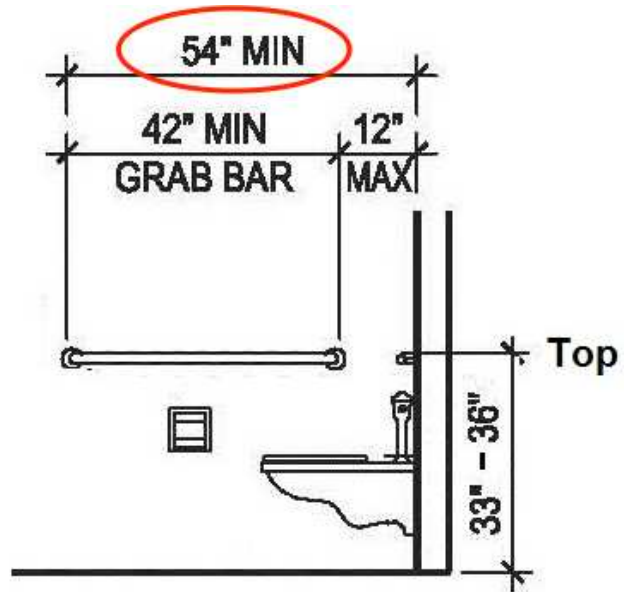
Estimated Remediation Date:

N/A

Notes:

N/A

Finding #16 Continued



Finding 299295 Main Photo

CORRECTED

Finding #16 Additional Finding Photos



Finding 299295 Additional Photo

CORRECTED

Unisex Restroom

Lat: 39.0316700000, Long: -104.2966000000

Finding: 17

The clear floor space around the toilet is obstructed by the cabinet.

No fixtures are allowed in the clear floor space required for the toilet.

The required clearance around the water closet shall be permitted to overlap the water closet, associated grab bars, dispensers, sanitary napkin disposal units, coat hooks, shelves, accessible routes, clear floor space and clearances required at other fixtures, and the turning space. No other fixtures or obstructions shall be located within the required water closet clearance.

2010 ADAS Section 604.3.2

The required clearance around the water closet shall be permitted to overlap the water closet, associated grab bars, dispensers, sanitary napkin disposal units, coat hooks, shelves, accessible routes, clear floor space and clearances required at other fixtures, and the turning space. No other fixtures or obstructions shall be located within the required water closet clearance.

Citation:

2010 ADAS Section: 604.3.2

As Built:

Storage cabinet protrudes into water closet's required clear floor space

Recommendation:

Remove or replace existing storage cabinet with low profile type that does not protrude into water closet's required clear floor space. Recommend removing storage cabinet from restroom.

Barrier Priority:

3 (Moderate): Should be completed as soon as possible, but there may be other items that will provide greater access to persons with disabilities. (Includes; Findings that have a high financial impact on the entity in relationship to the degree of access provided)

Department:

N/A

Estimated Remediation Date:

N/A

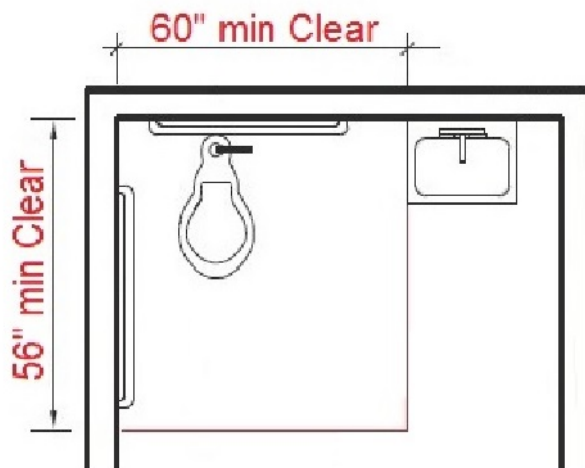
Notes:

N/A

Finding #17 Continued



Finding 299296 Main Photo



CORRECTED

Finding #17 Additional Finding Photos



Finding 299296 Additional Photo

CORRECTED

Unisex Restroom

Lat: 39.0316700000, Long: -104.2966000000

Finding: 18

The paper towel dispenser's operation mechanism is too high off the floor.

Dispensers must have all operable parts a maximum of 48 inches above the floor.

2010 ADAS Section 308.2.1

Where a forward reach is unobstructed, the high forward reach shall be 48 inches (1220 mm) maximum and the low forward reach shall be 15 inches (380 mm) minimum above the finish floor or ground.

Citation:

2010 ADAS Section: 308.2.1

As Built:

Operable part at 51 inches above finished floor

Recommendation:

Relocate existing paper towel dispenser to another location or provide low profile unit with a clearance of 12 inches minimum above rear grab bar and ensure operable part (turn knob/lever) does not exceed 48 inches above finished floor.

Barrier Priority:

3 (Moderate): Should be completed as soon as possible, but there may be other items that will provide greater access to persons with disabilities. (Includes; Findings that have a high financial impact on the entity in relationship to the degree of access provided)

Department:

N/A

Estimated Remediation Date:

N/A

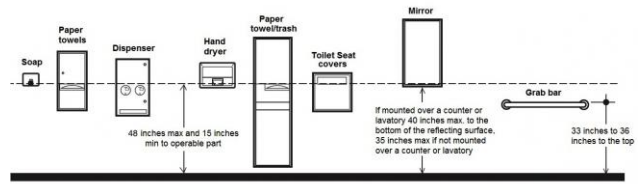
Notes:

N/A

Finding #18 Continued



Finding 299297 Main Photo



CORRECTED

Unisex Restroom

Lat: 39.0316700000, Long: -104.2966000000

Finding: 19

The toilet is not located within the range allowed from the side wall or partition.

The centerline of the toilet must be 16 to 18 inches from the side wall.

2010 ADAS Section 604.2

The water closet shall be positioned with a wall or partition to the rear and to one side. The centerline of the water closet shall be 16 inches (405 mm) minimum to 18 inches (455 mm) maximum from the side wall or partition, except that the water closet shall be 17 inches (430 mm) minimum and 19 inches (485 mm) maximum from the side wall or partition in the ambulatory accessible toilet compartment specified in 604.8.2. Water closets shall be arranged for a left-hand or right-hand approach.

Citation:

2010 ADAS Section: 604.2

As Built:

20 inches from side wall

Recommendation:

Re-position toilet between 16 inches minimum and 18 inches maximum from centerline of toilet to side wall. May require plumbing alteration.

Barrier Priority:

3 (Moderate): Should be completed as soon as possible, but there may be other items that will provide greater access to persons with disabilities. (Includes Findings that have a high financial impact on the entity in relationship to the degree of access provided)

Department:

N/A

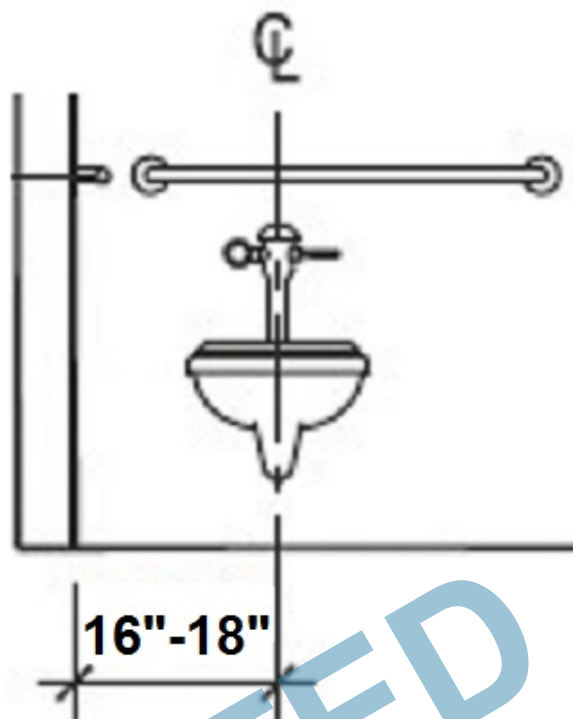
Estimated Remediation Date:

N/A

Notes:

N/A

Finding #19 Continued



Finding 299298 Main Photo

CORRECTED

Finding #19 Additional Finding Photos



Finding 299298 Additional Photo

CORRECTED