

Identifying and Tracking Sentiments and Topics from Social Media Texts during Natural Disasters

Min Yang^{1,4}, Jincheng Mei², Heng Ji³, Wei Zhao⁴, Zhou Zhao⁵, Xiaojun Chen^{1*}

¹ Shenzhen University ² University of Alberta

³ Rensselaer Polytechnic Institute ⁴ Tencent AI Lab

⁵ Zhejiang University

Abstract

We study the problem of identifying the topics and sentiments and tracking their shifts from social media texts in different geographical regions during emergencies and disasters. We propose a location-based dynamic sentiment-topic model (LDST) which can jointly model topic, sentiment, time and Geolocation information. The experimental results demonstrate that LDST performs very well at discovering topics and sentiments from social media and tracking their shifts in different geographical regions during emergencies and disasters¹.

1 Introduction

Social media has become pervasive in our daily life, and it is a great way to spread important information efficiently. Using social media (e.g., Twitter, Facebook, Pinterest), people can conveniently inform others and express support during emergencies and disasters.

Nowadays, the social media is keeping producing a huge amount of information. Unlike before, people are not only interested in identifying the static topics and sentiments from given texts, but also, perhaps more concerned with tracking the evolution of topics and sentiments among different geographical regions. On the one hand, this new requirement can be very helpful, especially in the case of emergencies, such as pre-disaster preparation and post-disaster relief in local natural disasters (Beigi et al., 2016). For example, people's sentiments on the topics related to *medical* and *rescue* may guide the management and distribution of emergency supplies. On the other hand,

the existing models do not take the temporal evolution and the impact of location over topics and sentiments into consideration, which makes them unable to fulfill the new requirement of tracking the evolution of topics and sentiments in different geographical places.

In this paper, we aim to identify the topics and sentiments and track their shifts in different geographical regions during emergencies and disasters. We are inspired by several observations. First, people are interested in not only the overall sentiment or topic distribution of the documents but also the sentiments towards specific topics. For example, a person may be happy with that the disaster passed away, but at the meanwhile he/she may be unsatisfied with the post-disaster relief. Second, most existing sentiment-topic models ignore the temporal evolution of topics and sentiment in a time-variant data corpus such as the Twitter stream. There are strong evidences which indicate that people's attitudes toward a disaster will gradually change over time with the distribution of emergency supplies (Beigi et al., 2016; Caragea et al., 2014; Mandel et al., 2012). Third, people in different places tend to have different opinions towards particular topics. This motivated us to find the influence of specific topics and the relationship between different topics in different regions, which may improve people's awareness to help themselves during disasters.

We propose a location-based dynamic sentiment-topic model (LDST) which generalizes latent Dirichlet allocation (LDA) (Blei et al., 2003), by jointly modeling topic, sentiment, time and geolocation information. After learning the LDST model, we can identify the topics and sentiments held by people in different locations over time. Our model works in an unsupervised way, and we learn the model according to the frequency of terms co-occurring in different

* Corresponding author (xjchen@szu.edu.cn)

¹Data and codes are available at <https://goo.gl/uee3QK>

contexts. To leverage the prior knowledge, we construct a small set of seed words for each topic of interest to enable the model to group semantically related terms into the same topic. Consequently, the topic words will be more related to the seed words of the same topic.

We conduct experiments using a Hurricane Sandy Twitter corpus which consists of 159,880 geotagged Twitter posts from the geographic area and time period of the 2012 Hurricane Sandy. We show the evolution of people’s topics and sentiments, which change according to not only the time the disaster happens, but also people’s locations during the hurricane Sandy.

2 Related work

Sentiment analysis is widely applied in many fields, such as business intelligence, politics, sociology. The papers by Pang and Lee (Pang and Lee, 2008) and Liu (Liu, 2012) described most of the existing techniques for sentiment analysis and opinion mining, which could be categorized into lexicon-based approaches (Kennedy and Inkpen, 2006; Turney, 2002; Yang et al., 2014a,b) and corpus-based approaches (Pang et al., 2002; Yang et al., 2015; Wan, 2009).

Recently, researchers have turned their attention to exploring sentiment analysis on the social media posts of individuals during natural disasters and emergencies (Beigi et al., 2016; Buscaldi and Hernandez-Farias, 2015; Caragea et al., 2014; Kryvasheyev et al., 2015; Mandel et al., 2012; Shalunts et al., 2014). For example, a sentiment analysis system is applied for Italian to a set of tweets during the Genoa flooding (Buscaldi and Hernandez-Farias, 2015). They attempted to identify trending topics, toponym and sentiments that might be relevant from a disaster management perspective. However, the existing studies only focused on sentiment analysis on the document level, without considering the specific topics in the document.

Meanwhile, topic models, such LDA (Blei et al., 2003), have become popular in extracting interesting topics. Some recent work incorporates context information into LDA, such as time (Wang and McCallum, 2006; Zhao et al., 2014) and authorship (Steyvers et al., 2004; Yang et al., 2016) to make topic models fit expectations better. Some studies also attempt to detect sentiment and topic simultaneously from documents (Der-

mouche et al., 2015; Lin et al., 2012; Mukherjee et al., 2014; He et al., 2012). Nevertheless, none of existing methods takes advantage of temporal and geographical information to identify and track people’s topics and sentiment during emergencies and disasters.

3 Model

In this section, we firstly introduce the generative process of the LDST model. Then we present the inference algorithm for estimating the model parameters.

3.1 Model Description

We assume the corpus consists a set of authors, a set of locations, and a collection of documents with specific timestamps. Formally, we use V and U to denote the sets of locations and authors, respectively. A document $d \in D$ is a short text written by an author $u \in U$ in location $v \in V$ at time t . Also, let S be the number of distinct sentiment labels, and T be the total number of topics, where S and T are predefined constant values. Since each tweet is a short text, studying them individually is not very informative. We thus use pooling methods to construct aggregated documents for each location or each author. For a venue v , we use A_v to define the set of all authors that have written documents in location v , and d_v (location document) to refer to the union of all the documents written in location v . N_{d_v} is the number of words in location document d_v .

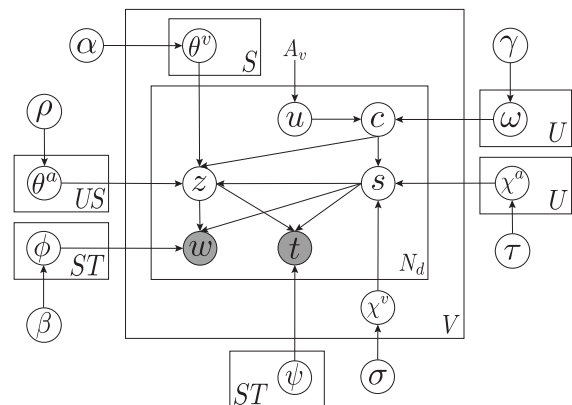


Figure 1: Graphical representation of our algorithm

Our model generalizes LDA by jointly modeling topic, sentiment, time and geolocation information. Figure 1 shows the graphical model of

LDST. The formal definition of the generative process of LDST is as follows:

1. For each sentiment label s ,
 - a. For each topic z under sentiment s ,
 - Draw a word distribution $\phi_{s,z} \sim Dir(\beta_{s,z})$.
2. For each author u ,
 - a. Draw $\omega_u \sim Beta(\gamma)$
 - b. Draw a sentiment distribution $\chi_u^{(a)} \sim Dir(\tau)$
 - c. For each sentiment label s ,
 - Draw a topic distribution $\theta_{u,s}^{(a)} \sim Dir(\rho)$
3. For each location document d_v ,
 - a. Draw a sentiment distribution $\chi_{d_v}^{(v)} \sim Dir(\sigma)$
 - b. For each sentiment label s ,
 - Draw a topic distribution $\theta_{d_v,s}^{(v)} \sim Dir(\alpha)$
 - c. For each term $w_{d_v,i}$ in the location document d_v ,
 - Draw a author $u \sim A_v$ uniformly,
 - Draw a switch $c \sim Bernoulli(\omega_u)$
 - if $c = 0$,
 - * Draw a sentiment $s_{d_v,i} \sim Mult(\chi_u^{(a)})$
 - * Draw a topic $z_{d_v,i}$ from $Mult(\theta_{u,s_{d_v,i}}^{(a)})$
 - if $c = 1$,
 - * Draw a sentiment $s_{d_v,i} \sim Mult(\chi_{d_v}^{(v)})$
 - * Draw a topic $z_{d_v,i} \sim Mult(\theta_{d_v,s_{d_v,i}}^{(v)})$
 - Draw a word $w_{d_v,i} \sim Mult(\phi_{s_{d_v,i},z_{d_v,i}})$
 - Draw a timestamp $t_{d_v,i}$ from $Beta(\psi_{s_{d_v,i},z_{d_v,i}})$

In the model, α , β , ρ , σ , τ and γ are hyperparameters. The latent sentiments and topics depend on the document venues and personalities of the author. We use ω to control the influence from the venue and the author. In particular, ω is the parameter of a Bernoulli distribution, from which a binary variable c is generated to determine whether the document is influenced by venue or user.

3.2 Inference Algorithm

We use Collapsed Gibbs sampling (Porteous et al., 2008) to estimate the unknown latent variables $\{\phi, \omega, \theta^a, \theta^v, \chi^a, \chi^v, \psi\}$. The posterior distribution of the hidden variables for each word $w_{d_v,i}$ (i -th word in venue document d_v) is calculated as follows (to simplify, we use Θ to refer to $\langle \mathbf{u}^{-d_v,i}, \mathbf{c}^{-d_v,i}, \mathbf{s}^{-d_v,i}, \mathbf{z}^{-d_v,i}, \mathbf{w}, \mathbf{t}, A_v \rangle$):

$$\begin{aligned}
& P(u_{d_v,i} = u, c_{d_v,i} = 0, s_{d_v,i} = s, z_{d_v,i} = z \mid \Theta) \\
\propto & \frac{n_{u,c}^{-d_v,i}(0) + \gamma'}{n_{u,c}^{-d_v,i} + \gamma + \gamma'} \cdot \frac{n_{u,s}^{-d_v,i} + \tau_s}{\sum_{s'} (n_{u,s'}^{-d_v,i} + \tau_{s'})} \\
& \cdot \frac{n_{u,s,z}^{-d_v,i} + \rho_z}{\sum_{z'} (n_{u,s,z'}^{-d_v,i} + \rho_{z'})} \cdot \frac{n_{s,z,w}^{-d_v,i} + \beta_w}{\sum_{w'} (n_{s,z,w'}^{-d_v,i} + \beta_{w'})} \\
& \cdot \frac{(1-t)\psi_{s,z}^{(1)-1} \cdot t\psi_{s,z}^{(2)-1}}{\text{Beta}(\psi_{s,z}^{(1)}, \psi_{s,z}^{(2)})} \quad (1)
\end{aligned}$$

$$\begin{aligned}
& P(u_{d_v,i} = u, c_{d_v,i} = 1, s_{d_v,i} = s, z_{d_v,i} = z \mid \Theta) \\
\propto & \frac{n_{u,c}^{-d_v,i}(1) + \gamma}{n_{u,c}^{-d_v,i} + \gamma + \gamma'} \cdot \frac{n_{v,s}^{-d_v,i} + \sigma_s}{\sum_{s'} (n_{v,s'}^{-d_v,i} + \sigma_{s'})} \\
& \cdot \frac{n_{v,s,z}^{-d_v,i} + \alpha_z}{\sum_{z'} (n_{v,s,z'}^{-d_v,i} + \alpha_{z'})} \cdot \frac{n_{s,z,w}^{-d_v,i} + \beta_w}{\sum_{w'} (n_{s,z,w'}^{-d_v,i} + \beta_{w'})} \\
& \cdot \frac{(1-t)\psi_{s,z}^{(1)-1} \cdot t\psi_{s,z}^{(2)-1}}{\text{Beta}(\psi_{s,z}^{(1)}, \psi_{s,z}^{(2)})} \quad (2)
\end{aligned}$$

where $n_{u,c}(0)$ and $n_{u,c}(1)$ are the numbers of times that $c = 0$ and $c = 1$ are sampled for user u , respectively, and we have $n_{u,c} \triangleq n_{u,c}(0) + n_{u,c}(1)$. $n_{u,s}$ is the number of times that sentiment s is sampled from the distribution χ_u^a specific to user u , and $n_{v,s}$ is the number of times that sentiment s is sampled from the distribution $\chi_{d_v}^v$ specific to document venue v . $n_{u,s,z}$ is the number of times that topic z is sampled from the distribution $\theta_{u,s}^a$ specific to user u and sentiment s , and $n_{v,s,z}$ is the number of times that topic z is sampled from the distribution $\theta_{d_v,s}^v$ specific to document venue v and sentiment s . $n_{s,z,w}$ is the number of times that word w is sampled from the distribution $\phi_{s,z}$ specific to sentiment s and topic z . The superscript $-d_v, i$ denotes a quantity excluding the current word $-d_v, i$.

After Gibbs sampling, $\{\phi, \omega, \theta^a, \theta^v, \chi^a, \chi^v, \psi\}$ can be estimated as follows:

$$\hat{\phi}_{s,z,w} = \frac{n_{s,z,w} + \beta_w}{\sum_{w'} (n_{s,z,w'} + \beta_{w'})},$$

$$\hat{\omega}_u = \frac{n_{uc}(1) + \gamma}{n_{u,c} + \gamma + \gamma'},$$

$$\hat{\theta}_{v,s,z}^v = \frac{n_{v,s,z} + \alpha_z}{\sum_{z'} (n_{v,s,z'} + \alpha_{z'})},$$

$$\hat{\theta}_{u,s,z}^a = \frac{n_{u,s,z} + \rho_z}{\sum_{z'} (n_{u,s,z'} + \rho_{z'})},$$

$$\hat{\chi}_{u,s}^a = \frac{n_{u,s} + \tau_s}{\sum_{s'} (n_{u,s'} + \tau_{s'})},$$

$$\hat{\chi}_{d_v,s}^v = \frac{n_{v,s} + \sigma_s}{\sum_{s'} (n_{v,s'} + \sigma_{s'})},$$

$$\hat{\psi}_{s,z}^{(1)} = \bar{m}_{s,z} \cdot \left(\frac{\bar{m}_{s,z} \cdot (1 - \bar{m}_{s,z})}{\xi_{s,z}^2} - 1 \right),$$

$$\hat{\psi}_{s,z}^{(2)} = (1 - \bar{m}_{s,z}) \cdot \left(\frac{\bar{m}_{s,z} \cdot (1 - \bar{m}_{s,z})}{\xi_{s,z}^2} - 1 \right).$$

where \bar{m}_{sz} and ξ_{sz}^2 indicate the sample mean and the biased sample variance of the timestamps belonging to sentiment s and topic z , respectively.

3.3 Defining the Prior Knowledge

In our model, the prior knowledge is employed to guide the generative process of topics. The prior knowledge can be obtained from natural disaster experts. We collect a small set of seed words for each topic of interest during emergency and disaster. For each topic, the LDST model draws the word distribution from a biased Dirichlet prior $Dir(\beta)$. Each vector $\beta_{.,z} \in \mathbb{R}^V$ is constructed from the sets of seed words, where

$$\beta_{.,z} := \lambda_1(1^V - \Lambda_{.,z}) + \lambda_2\Lambda_{.,z} \quad (3)$$

Here, $\Lambda_{.,z,w} = 1$ if and only if word w is a seed word for topic z , otherwise $\Lambda_{.,z,w} = 0$. The scalars λ_1 and λ_2 are hyperparameters. Intuitively, when $\lambda_1 < \lambda_2$, the biased prior ensures that the seed words are more probably drawn from the associated topic.

4 Experiments

4.1 Hurricane Sandy Twitter Datasets

This dataset contains nearly 15 million tweets posted on Twitter while Hurricane Sandy was hitting the United States. Tweets were collected from October 25, 2012 to November 4, using the keywords 'hurricane' and 'sandy' (Zubiaga and Ji, 2014). In this paper, we only keep the geotagged tweets. The final experimental dataset consists of 159,880 geotagged tweets. The original geographical information is expressed by using longitude and latitude in decimal degree. We set the granularity of location as a state via Google Maps Geocoding API² and analyze the tweets within the United States.

4.2 Baseline Methods

We evaluate and compare our model with several baseline methods as follows:

LDA: We use gensim toolkit to do inference for LDA model (Blei et al., 2003).

ToT: Topics over Time, a non-Markov continuous time model proposed in (Wang and McCollum, 2006).

JST: The first Joint Sentiment-Topic model to identify the sentiment-topic pairs (Lin and He, 2009).

TS: Topic-Sentiment model proposed in (Dermouche et al., 2015).

LDST-w/oS: This is the LDST model without employing prior knowledge (seed words). We use this method to evaluate the influence of seed words.

4.3 Implementation details

In our implementation, we set topic number $T = 50$, and the prior hyperparameters $\gamma = 0.5$, $\tau = \sigma = 0.1$, $\rho = \alpha = 50/T$. $\beta_{s,z}$ is calculated using the set of seed words with $\lambda_1 = 0.1$ and $\lambda_2 = 0.8$.

As described in Section 3.3, we use a small set of seed words as our topic prior knowledge. Specifically, the seed words list contains 5 to 10 seed words for each of the five topics of interest³ about *Hurricane impact*, *public utility*, *food*, *shelter*, *medical*, respectively. We choose these five topics based on the actual requirements of our project. However, it is important to note that the model is flexible and do not need to have seed words for every topic.

4.4 Experiment results

4.4.1 Quantitative evaluation

We first compare our model with the baseline models in terms of perplexity which is a widely used measurement of how well a probability model predicts a sample. The lower the perplexity, the better the model. We calculate the average perplexity (log-likelihood) using 1000 held-out documents which are randomly selected from the test data. The average test perplexity of each word is calculated as $\exp\{-\frac{1}{N} \sum_w \log p(w)\}$, where N is the total number of words in the held-out test documents. Table 1 shows the perplexity results for Hurricane Sandy dataset. Our model outperforms the baseline models. In particular, the perplexity of our model is 1122, which is 40 and 116 lower than that of JST and TS. The perplexity of LDST is 35 lower than that of LDST-w/oS, which indicates that the seed words can further improve the performance of our model.

LDA	ToT	JST	TS	LDST-w/oS	LDST
1320	1244	1162	1238	1157	1122

Table 1: Comparison of test perplexity per word

Following the same evaluation as in (Lin et al., 2012), we also present and discuss the experimental results of sentiment classification. The docu-

²<https://developers.google.com/maps/>

³Details available at <https://goo.gl/ykbrXZ>

ment sentiment is classified based on the probability of sentiment label given document, which can be approximated by $\hat{\chi}_u^{(a)}$ and $\hat{\chi}_{d_v}^v$. Similar to (Lin et al., 2012), we only consider the probability of positive and negative label given document, with the neutral label probability being ignored. We define that a document d is classified as a positive-sentiment document if its probability of positive sentiment label given document is greater than its probability of negative sentiment label given document, and vice versa. The ground truth of sentiment classification labels of tweets are set by using human annotation. Specifically, we randomly select 1000 documents from the dataset, and label each document as *positive*, *negative* or *neutral* manually. We measure the performance of our model using the tweets with *positive* or *negative* labels. The classification accuracies are summarized in Table 2. LDST significantly outperforms other methods on test data. This verifies the effectiveness of the proposed approach.

LDA	ToT	JST	TS	LDST-w/oS	LDST
0.574	0.592	0.622	0.597	0.635	0.646

Table 2: Sentiment classification accuracy.

4.4.2 Qualitative evaluation

We present the sentiments and topics discovered by LDST to see whether LDST captured meaningful semantics. We analyze the extracted topics under positive and negative sentiment labels. Due to the limited space, we only report *Hurricane impact* and *public utility* topics under positive and negative sentiments for New York and Florida states on Oct. 27, 2012 and Oct. 30, 2012. For each topic, we visualize it using the top 5 words which are most likely generated from the topic. As shown in Table 3, the extracted topics are quite informative and coherent. For example, the first topic (left) is closely related to *Hurricane impact*, and the other one (right) is related to *public utility*. The results show that our model can extract topic and sentiment simultaneously under different time and location. First, at the same period, people in different location had different topics of interest and sentiments. Taking the *public utility* topic as an example, on Oct. 30, people from Florida were concerned with post-disaster relief, while people from New York focused on the outage of the *public utility*. Second, for the people in the same location, they were interested in dif-

	New York		Florida	
pos	pray response volunteer usa florida	island careful volunteer preparation state	florida prepare boat protect power	work service island customer system
neg	destroy homeless flood eastcoast damage	rising moves arrival shortages cause	sandy storm broken landfall disaster	power outage damage energy utilities
	New York		Florida	
pos	aid alert rescue york shelter	nation people delivered safety companies	volunteer claimed crew power relief	restore system resources good rebuild
neg	hurricane weatherd death halloween flood	power metro destroyed outage destructive	east criticize eastern election tourism	damage effect weeks millions delay

Table 3: Hurricane impact (left) and public utility (right) topics under positive and negative sentiment labels for New York and Florida states on Oct. 27, 2012 (above) and Oct. 30, 2012 (bottom).

ferent topics, and had different sentiments towards the topics. For example, the people in Florida paid close attention to the damage of the *public utility* on Oct. 27, while they changed their attention to post-disaster relief of the *public utility* on Oct. 30.

5 Conclusion

In this paper, we propose a location-based dynamic sentiment-topic (LDST) model, which can jointly model sentiment, topic, temporal, and geolocation information.

Acknowledgement

Heng Ji’s work was supported by U.S. DARPA LORELEI Program No. HR0011-15-C-0115. The views and conclusions contained in this document are those of the authors and should not be interpreted as representing the official policies, either expressed or implied, of the U.S. Government. The U.S. Government is authorized to reproduce and distribute reprints for Government purposes notwithstanding any copyright notation here on.

References

- Ghazaleh Beigi, Xia Hu, Ross Maciejewski, and Huan Liu. 2016. An overview of sentiment analysis in social media and its applications in disaster relief. In *Sentiment Analysis and Ontology Engineering*, pages 313–340. Springer.
- David M Blei, Andrew Y Ng, and Michael I Jordan. 2003. Latent dirichlet allocation. *The Journal of machine Learning research*, 3:993–1022.
- Davide Buscaldi and Irazú Hernandez-Farias. 2015. Sentiment analysis on microblogs for natural disasters management: a study on the 2014 genoa floodings. In *Proceedings of the 24th International Conference on World Wide Web*, pages 1185–1188. ACM.
- Cornelia Caragea, Anna Squicciarini, Sam Stehle, Kishore Neppalli, and Andrea Tapia. 2014. Mapping moods: geo-mapped sentiment analysis during hurricane sandy. In *Annual Conference for Information Systems for Crisis Response and Management*.
- Mohamed Dermouche, Leila Kouas, Julien Velcin, and Sabine Loudcher. 2015. A joint model for topic-sentiment modeling from text. In *Proceedings of the 30th Annual ACM Symposium on Applied Computing*, pages 819–824. ACM.
- Yulan He, Chenghua Lin, Wei Gao, and Kam-Fai Wong. 2012. Tracking sentiment and topic dynamics from social media. In *Sixth International AAAI Conference on Weblogs and Social Media*.
- Alistair Kennedy and Diana Inkpen. 2006. Sentiment classification of movie reviews using contextual valence shifters. *Computational intelligence*, 22(2):110–125.
- Yury Kryvasheyev, Haohui Chen, Esteban Moro, Pascal Van Hentenryck, and Manuel Cebrian. 2015. Performance of social network sensors during hurricane sandy. *PLoS one*, 10(2):e0117288.
- Chenghua Lin and Yulan He. 2009. Joint sentiment/topic model for sentiment analysis. In *Proceedings of the 18th ACM conference on Information and knowledge management*, pages 375–384. ACM.
- Chenghua Lin, Yulan He, Richard Everson, and Stefan Ruger. 2012. Weakly supervised joint sentiment-topic detection from text. In *Proceedings of the International Conference on Information and Knowledge Management*, pages 1134–1145. IEEE.
- Bing Liu. 2012. Sentiment analysis and opinion mining. *Synthesis Lectures on Human Language Technologies*, 5(1):1–167.
- Benjamin Mandel, Aron Culotta, John Boulahanis, Danielle Stark, Bonnie Lewis, and Jeremy Rodrigue. 2012. A demographic analysis of online sentiment during hurricane irene. In *Proceedings of the Second Workshop on Language in Social Media*, pages 27–36. Association for Computational Linguistics.
- Subhabrata Mukherjee, Gaurab Basu, and Sachindra Joshi. 2014. Joint author sentiment topic model. In *Proceedings of the 2014 SIAM International Conference on Data Mining*, pages 370–378. SIAM.
- Bo Pang and Lillian Lee. 2008. Opinion mining and sentiment analysis. *Foundations and trends in information retrieval*, 2(1-2):1–135.
- Bo Pang, Lillian Lee, and Shivakumar Vaithyanathan. 2002. Thumbs up?: sentiment classification using machine learning techniques. In *Proceedings of the Conference on Empirical Methods in Natural Language Processing*, pages 79–86. Association for Computational Linguistics.
- Ian Porteous, David Newman, Alexander Ihler, Arthur Asuncion, Padhraic Smyth, and Max Welling. 2008. Fast collapsed gibbs sampling for latent dirichlet allocation. In *Proceedings of the 14th ACM SIGKDD international conference on Knowledge discovery and data mining*, pages 569–577. ACM.
- Gayane Shalunts, Gerhard Backfried, and Prinz Prinz. 2014. Sentiment analysis of german social media data for natural disasters. In *Annual Conference for Information Systems for Crisis Response and Management*.
- Mark Steyvers, Padhraic Smyth, Michal Rosen-Zvi, and Thomas Griffiths. 2004. Probabilistic author-topic models for information discovery. In *Proceedings of the tenth ACM SIGKDD international conference on Knowledge discovery and data mining*, pages 306–315. ACM.
- Peter D Turney. 2002. Thumbs up or thumbs down?: semantic orientation applied to unsupervised classification of reviews. In *Proceedings of the 40th Annual Meeting on Association for Computational Linguistics*, pages 417–424. Association for Computational Linguistics.
- Xiaojun Wan. 2009. Co-training for cross-lingual sentiment classification. In *Proceedings of the Annual Meeting on Association for Computational Linguistics*, pages 235–243. Association for Computational Linguistics.
- Xuerui Wang and Andrew McCallum. 2006. Topics over time: a non-markov continuous-time model of topical trends. In *Proceedings of the 12th ACM SIGKDD international conference on Knowledge discovery and data mining*, pages 424–433. ACM.
- Min Yang, Jincheng Mei, Fei Xu, Wenting Tu, and Ziyu Lu. 2016. Discovering author interest evolution in topic modeling. In *Proceedings of the 39th International ACM SIGIR conference on Research and Development in Information Retrieval*, pages 801–804. ACM.
- Min Yang, Baolin Peng, Zheng Chen, Dingju Zhu, and Kam-Pui Chow. 2014a. A topic model for building fine-grained domain-specific emotion lexicon. *Proceedings of the 52nd Annual Meeting of the Association for Computational Linguistics*, pages 421–426.

- Min Yang, Wenting Tu, Ziyu Lu, Wenpeng Yin, and Kam-Pui Chow. 2015. Lcct: a semisupervised model for sentiment classification. In *The 2015 Annual Conference of the North American Chapter of the ACL*. Association for Computational Linguistics.
- Min Yang, Dingju Zhu, Rashed Mustafa, and Kam-Pui Chow. 2014b. Learning domain-specific sentiment lexicon with supervised sentiment-aware lda. *The 21st European Conference on Artificial Intelligence*, pages 927–932.
- Zhou Zhao, James Cheng, and Wilfred Ng. 2014. Truth discovery in data streams: A single-pass probabilistic approach. In *Proceedings of the 23rd ACM International Conference on Conference on Information and Knowledge Management*, pages 1589–1598. ACM.
- Arkaitz Zubiaga and Heng Ji. 2014. Tweet, but verify: epistemic study of information verification on twitter. *Social Network Analysis and Mining*, 4(1):163.